

# CRAMER PRO 82B1000 2400286

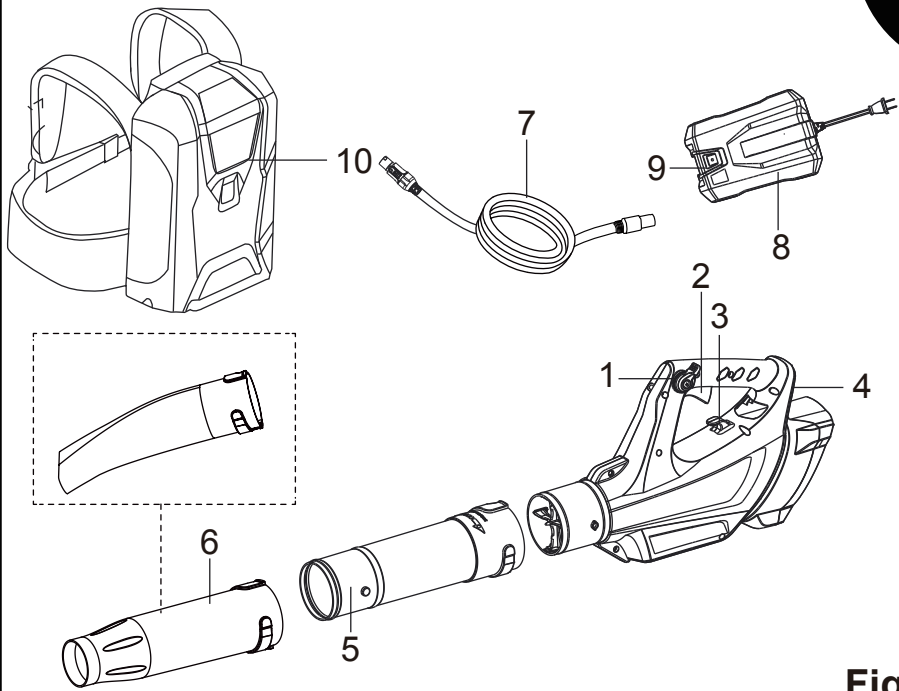


Fig.1

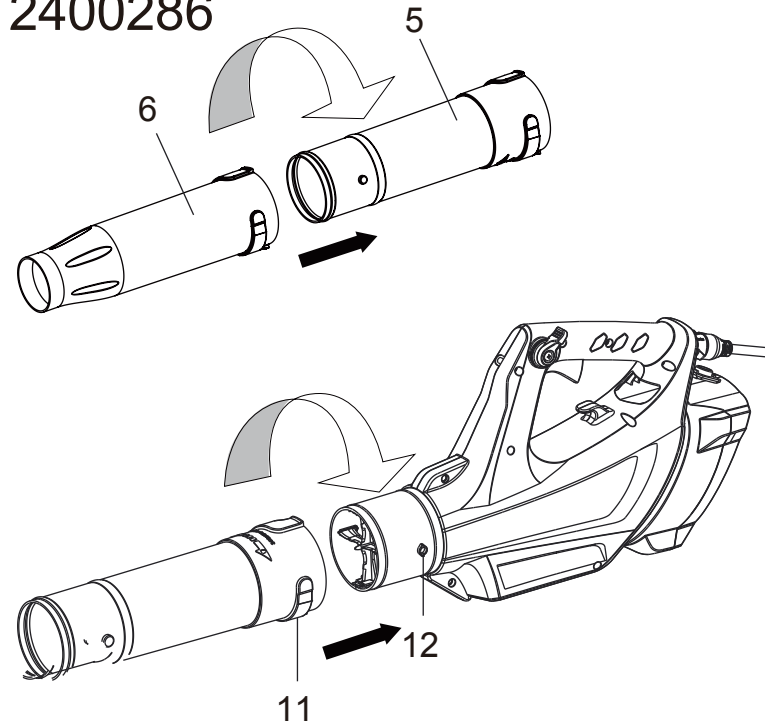


Fig.2

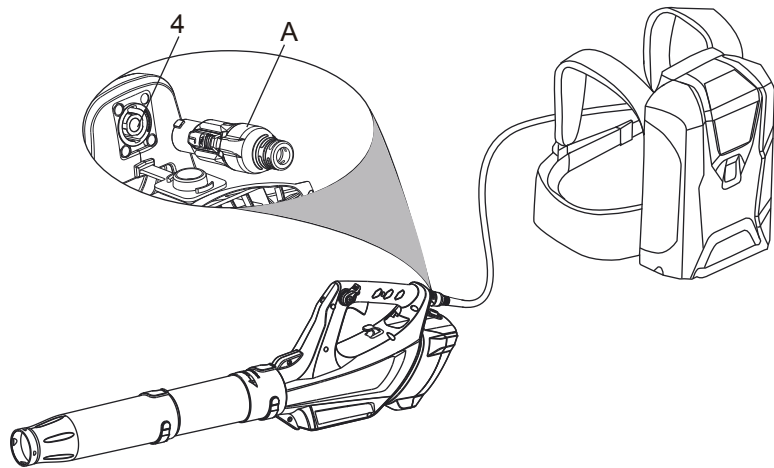


Fig.3

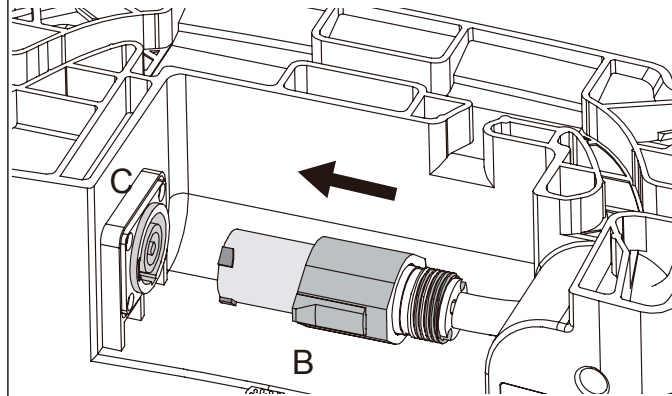


Fig.4

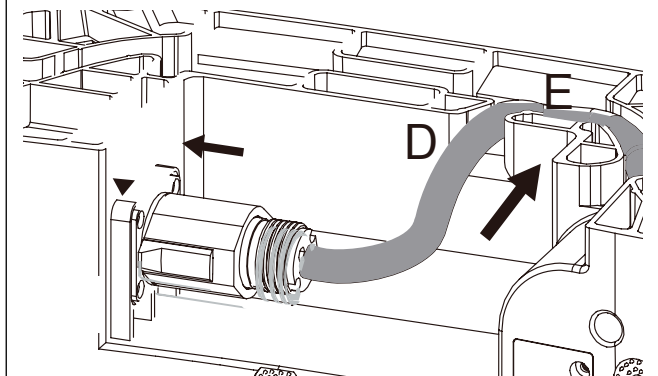


Fig.5

Fig.6

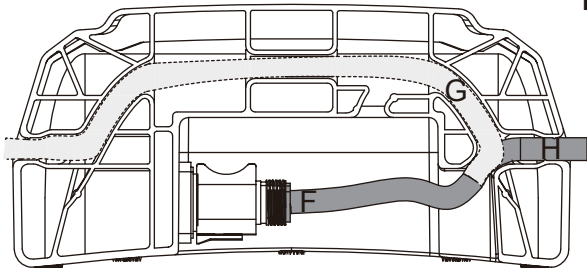


Fig.7

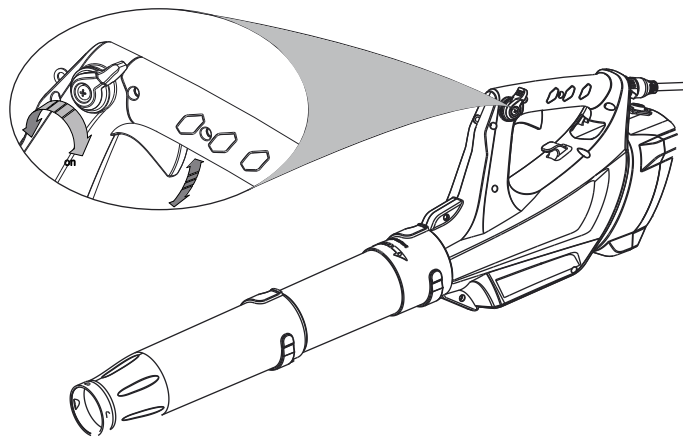
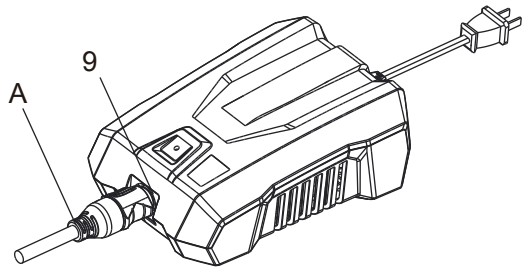


Fig.8

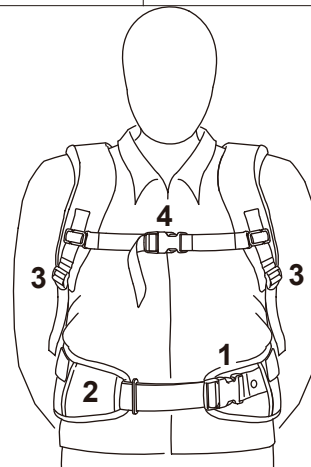
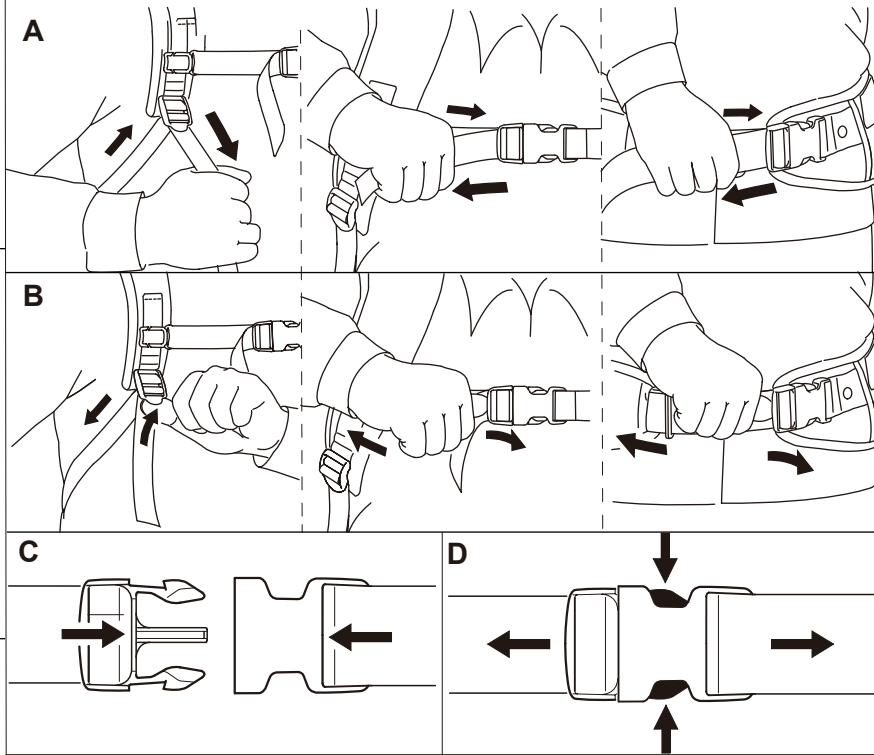


Fig.9

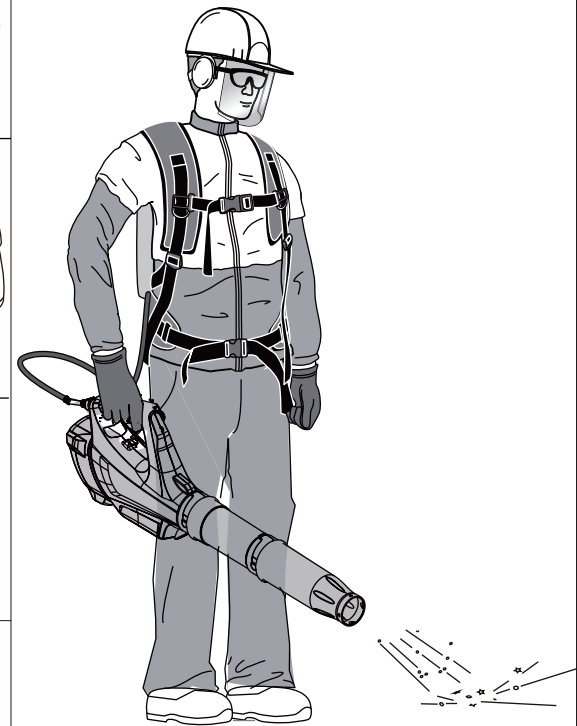


Fig.10