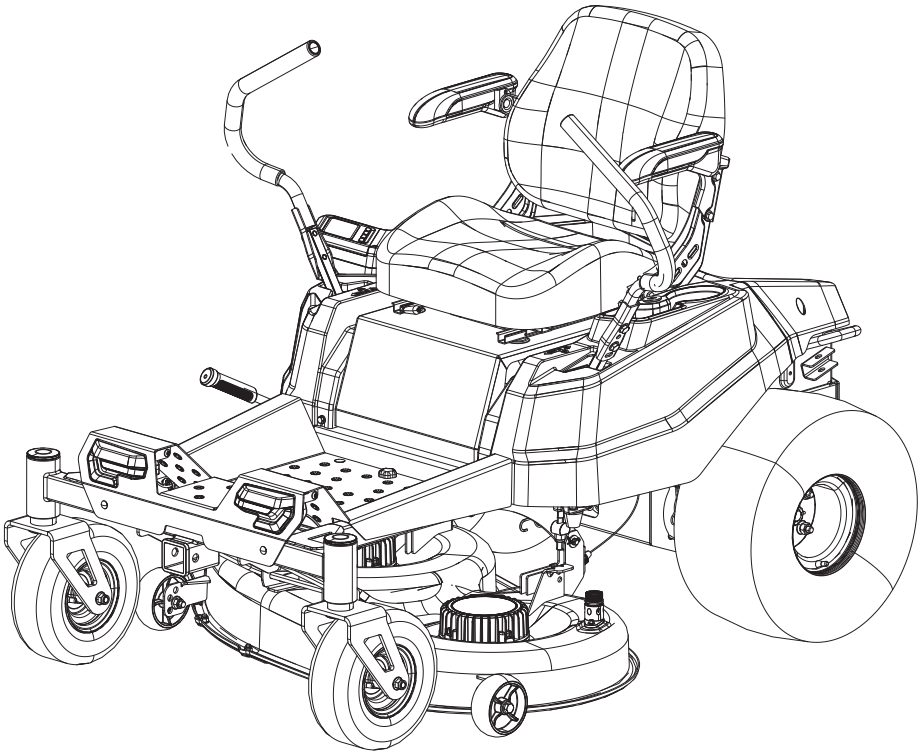




7400686 (82ZT107)

EN | DE | ES | IT | FR | PT | NL | FI | SV | NO | DA | LT | LV |
ET |



cramertools.com

DECLARATION OF CONFORMITY (UK)

Name and address of the manufacturer:

Name: Greenworks Tools Europe GmbH
Address: Brunnenweg 17, 64331 Weiterstadt, Germany

Name and address of the authorised representative:

Name: Garden Equipment Ltd
Address: First Floor, 3a Groveley Road, Christchurch, Dorset, BH23 3HB, UK

Name and address of the person authorised to compile the technical file:

Name: Simon Del-Nevo
Address: First Floor, 3a Groveley Road, Christchurch, Dorset, BH23 3HB, UK

Herewith we declare that the product

Category: Zero-turn Mower
Model: 82ZT107
Serial number: See product rating label
Year of Construction: See product rating label

- is in conformity with the relevant provisions of the Supply of Machinery (Safety) Regulations 2008.
- is in conformity with the provisions of the following other UK legislation:
 - Electromagnetic Compatibility Regulations 2016
 - The Restriction of the Use of Certain Hazardous Substances in Electrical and Electronic Equipment Regulations 2012

Furthermore, we declare that the following standard have been used:

- BS EN 62841-1, BS EN ISO 5395-1, BS EN ISO 5395-3, BS EN ISO 12100, EN ISO 14982
IEC 62321-3-1, IEC 62321-4, IEC 62321-5, IEC 62321-6, IEC 62321-7-1, IEC 62321-7-2, IEC 62321-8

Place, date:

Christchurch, Dorset, UK
10.10.2022

Signature: Ted Qu, Quality Director



1	Description.....	4	7.3	Lubrication.....	21
1.1	Overview.....	4	7.4	Torque values.....	22
1.2	Control panel.....	4	7.5	Battery pack maintenance.....	22
2	Unpack the machine.....	4	7.6	Battery compartment filter maintenance...	22
3	Installation.....	5	7.7	Service.....	22
3.1	Install the seat.....	5	8	Transportation and storage.....	23
3.2	Install the mulch cover.....	5	8.1	Transportation.....	23
3.3	Install the steering control lever.....	5	8.2	Clean and storage.....	24
3.4	Neutral bypass knob.....	6	9	Troubleshooting.....	26
3.5	Anti-scalp wheels.....	6	10	Technical data.....	28
4	Operating Instructions.....	6	11	Limited warranty.....	29
4.1	Before operation.....	6	11.1	What is covered by this warranty.....	29
4.2	Operate the machine.....	8	11.2	Who must perform the warranty service...	29
5	Electrical system.....	13	11.3	What is not covered by this warranty.....	29
5.1	Electrical system safety.....	13	11.4	Disclaimer of warranty.....	30
5.2	Electrical system information.....	13	11.5	Limitation of remedies.....	30
5.3	Digital display.....	13	11.6	Time limit.....	30
6	Errors.....	14	11.7	No other warranties.....	30
6.1	Error code.....	15	11.8	Owner's responsibility.....	30
7	Maintenance.....	20	11.9	Allocation of risks.....	31
7.1	Mower blade maintenance.....	20	11.10	Warranty registration.....	31
7.2	Tires.....	21	12	EC Declaration of conformity... 	31

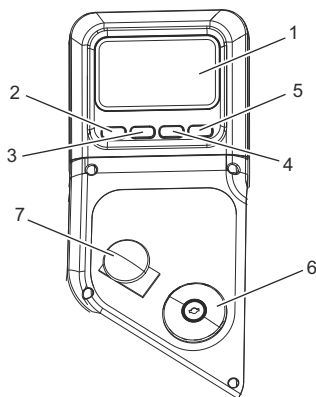
1 DESCRIPTION

1.1 OVERVIEW

See separate figure sheet 1-19

- | | |
|---------------------------------|------------------------|
| 1 Steering control levers | 19 Neutral bypass knob |
| 2 Seat adjustment lever | 20 Serial number |
| 3 Headlight | 21 Pairing code |
| 4 Front wheels | 22 QR code |
| 5 Discharge chute | 23 Battery compartment |
| 6 Drive wheels | 24 Battery |
| 7 Control panel | 25 Battery latch |
| 8 USB port | 26 Power OFF |
| 9 Cup holder | 27 Power ON |
| 10 Deck | 28 Start key hole |
| 11 Anti-scalp wheels | 29 Bolt |
| 12 Deck height adjustment lever | 30 Washer |
| 13 Seat panel | 31 Blade |
| 14 Seat plug | 32 Garden hose |
| 15 Mulch cover | 33 Quick coupler |
| 16 Bearing ring | 34 Wash port |
| 17 Fixation clamps | 35 Oil drain outlet |
| 18 Mounting pole | 36 Oil ruler |

1.2 CONTROL PANEL



2 UNPACK THE MACHINE

▲ WARNING

Make sure that you correctly assemble the machine before use.

#	Name	Function
1	Digital display	This display shows important electrical system information. Refer to the Electrical section for complete information.
2	Blade motor speed control / Return	Adjust the blade speed(cyclic) when it's on the homepage. Press the button to return to the previous page.
3	Menu navigation / Page up	Turn the digital display to last page. Back to home screen.
4	Lamp switch / Page down	Turn on/off the lamps when it's on the homepage. Turn the digital display to the next page .
5	Drive speed control / Confirm	Adjust driving speed(cyclic) when it's on the homepage. Press the button to confirm.
6	Power switch	The switch is used to turn the mower on and off.
7	Deck blades On/Off switch (PTO)	This switch engages the blade motors. Pull the switch up to engage and push switch down to disengage the motors.

i IMPORTANT

Never engage blade motors when the deck is under load. Motors or deck could be damaged.

▲ WARNING

- If parts of the machine are damaged, do not use the machine.
- If parts are missing, do not operate the machine.
- If parts are damaged or missing, contact the service center.

1. Open the package.
2. Read the documentation provided in the box.
3. Remove all the unassembled parts from the box.
4. Remove the machine from the box.
5. Discard the box and packing material in compliance with local regulations.

▲ WARNING

For your personal safety, do not insert battery before the tool is assembled completely.

3 INSTALLATION

3.1 INSTALL THE SEAT

See figure 3

1. Place the seat assembly over the seat panel and align holes as shown.
2. Install the bolts, washers and nuts and tighten securely.
3. Attach the sleeves to the nuts.
4. Make sure it is securely seated.
5. Connect the seat plug to the machine.

3.2 INSTALL THE MULCH COVER

See figure 4

The mower is configured for side discharge when shipped. If mulching is desired:

1. Place the mulch cover on the tab on the mower housing.
2. Align the holes in the mulch cover and the holes in the mower housing.
3. Install and tighten the bolts, screws, fixation clamps and bearing ring as shown.

3.3 INSTALL THE STEERING CONTROL LEVER

See figure 5-6

▲ WARNING

The left and right steering levers should be adjusted so that they align with each other when in the neutral position. NEVER install the steering levers in an asymmetrical operating height.

1. Lift one steering control lever to align the holes in the lever with the holes in the corresponding mounting pole.
2. Select the preferred steering-lever operating height. Insert the screw together with the washer into the hole.
3. Use the wrench (13*16 mm) to secure the steering lever.
4. Assemble the other steering control lever in the same way.

▲ CAUTION

Do not install the steering control lever reversely.

3.3.1 STEERING CONTROL LEVERS

The two levers control the mower's speed, direction, stopping, neutral lock, and parking brake. Levers are used to steer, accelerate, decelerate, stop, and change direction. When the control levers are in the park brake position, the mower will not move.

i NOTE

Always drive with both hands. Do not drive with just one hand.

3.3.2 USE THE APP

See figure 9-10

1. Visit the website of Fleet Management: fleet.cramertools.com
2. Create an account and then log in.
3. Invite other users in your organization.
4. Scan the QR code, download the app and log in.
5. Add a device. Find the serial number, pairing code and QR code in the vehicle matching label on this manual. Scan QR code or type in manually.

3.4 NEUTRAL BYPASS KNOB

See figure 7-8

1. Pull the neutral bypass knobs outwards and then downwards to unlock the wheel.
2. Move the neutral bypass knobs back into position to lock the wheels.

▲ WARNING

Never drive mower with the neutral bypass knob working. Always install the neutral bypass knob to the original position before driving! Failure to re-install the knob could cause serious damage to your mower and void mower warranty!

▲ WARNING

Never unlock the neutral bypass knob when the machine is working on the slope!

3.5 ANTI-SCALP WHEELS

See figure 2

Anti-scalp wheel kits are standard on Cramer units. These anti-scalp wheels are designed to minimize scalping when mowing on rough, uneven terrain. After setting the cutting height, adjust the anti-scalp wheels so they extend below the deck but do not contact the ground. They should always be at least 0.6 cm to 1.9 cm below the deck. With the unit sitting on a flat level surface, the wheel position can be adjusted up or down as needed from 1.9 cm to 4.4 cm below the blade surface. Move the wheels up or down - using the different axle mount holes in the wheel mount bracket (if applicable on model).

4 OPERATING INSTRUCTIONS

4.1 BEFORE OPERATION

4.1.1 ADJUST THE SEAT

See figure 11

▲ WARNING

Make sure seat pan is securely bolted down prior to each use to prevent seat from moving/tilting in the event of mower tipping or rollover.

1. Push steer control levers outward into PARK BRAKE position before you adjust the seat.
2. Sit down on seat and lift the seat adjustment lever.

3. While holding the lever, slide the seat to the desired position.
4. Release the lever and make sure the seat is locked in position before operating the mower.

▲ WARNING

Be sure the seat is locked into place before operating the mower. A seat that is not secure can cause the operator to shift and lose control of the mower and result in possible death or serious personal injury.

4.1.2 ADJUST THE DECK CUTTING HEIGHT

See *figure 12*

Before using the mower, raise the deck height to the cutting position best suited for your lawn.

Deck height is adjustable from 3.81-11.4 cm. Deck should be raised while mowing is in progress to avoid stumps, rocks or other obstacle that can be damage mower deck.

▲ CAUTION

Hold the deck height adjustment lever firmly when setting the deck height and only release when it is secure in the desired slot. Quickly letting go of the lever may create a pinching or pulling hazard to the operator's hand.

1. Stop the mower and disengage blades.
2. Turn the key to OFF position and set the parking brake.
3. To raise the cutting deck, grasp the deck height adjustment lever, push left to disengage from slot, move toward the back of the mower, then push right into slot to secure.
4. To lower the cutting deck, grasp the deck height adjustment lever, push left to disengage from slot, move toward the front of the mower, then push right into slot to secure.

4.1.3 ADJUST THE STEERING CONTROL LEVER

The steering control levers can be adjusted for operator comfort. By loosening the cap screws that attaches the upper control lever to the lower lever, the upper control lever can be pivoted to fit the operator's personal preference. The steering control levers should be adjusted so that they align with each other when in the neutral position.

4.1.4 INSTALL THE BATTERY PACK

See *figure 13*

To verify mower batteries are fully charged, check the battery level indicator. See the battery manual for more details.

1. Lift the seat panel.
2. Lift the battery compartment cover.
3. Install the battery pack into the battery compartment.

▲ WARNING

Align the ribs of the battery with the battery port. Make sure that the battery latch clicks into the battery compartment smoothly.

4.1.5 BEFORE OPERATING THE MACHINE

- Ensure work area is clear of children, bystanders, and pets.
- Clear the work area of objects that may be thrown by the mower blades.
- Check brake operation.
- Check tire pressure.
- Check for loose fasteners.
- Check to make sure all guards are in place and working properly.
- Clean debris from mower.
- Test safety interlock system.
- Adjust seat to desired position.
- Verify battery charge level.

4.1.6 SAFETY START INTERLOCK SYSTEM

The machine is equipped with a safety start interlock system consisting of the park brake switches, operator presence switch, and deck blades ON and OFF switch.

The mower's safety start interlock system is also designed to protect the operator and others from accidental injury due to unintentional traction drive system starting.

Check mower safety start interlock system daily, prior to operation. This system is an important mower safety feature. It should be repaired immediately if it malfunctions. The machine incorporates a separate operator presence switch which will stop the drive system and deck motors when the operator is not in place for any reason while the mower is operating. This is a safety feature designed to prevent runaway or accidental entanglement.

▲ WARNING

The safety interlock system must not be disconnected or bypassed. Doing so could cause the machine to operate unexpectedly, resulting in personal injury.

To inspect the system:

1. The operator must be on the seat when testing the operator presence switch.
2. Turn the key to start the machine.
3. Pull the steering control levers to the parking slots.
4. Pull up on the PTO switch to engage the motor.
5. Slowly raise off of the seat. The deck blade system should stop.
6. If the deck blade system fails to stop when the operator is off from the seat and if the cause cannot be determined, contact your Cramer dealer immediately.

4.2 OPERATE THE MACHINE

4.2.1 START THE MACHINE

See figure 14

i NOTE

Clear the area of bystanders before operating the mower. If anyone enters the mowing area, stop immediately and do not return to mowing until the bystanders leave the area.

1. Raise the mower deck to its highest position.
2. Insert the start key and turn to ON position.
3. Pull right and left steering control levers inward.
4. Pull up on deck PTO switch to start cutting blades for mowing.

i NOTE

Only engage blades when steering control levers are in the NEUTURAL position! NEVER engage blades when moving!

5. Place steering control levers in forward (D) position and drive to desired mowing location.

i NOTE

Use caution when crossing over gravel paths or driveways. Before crossing, disengage the blades and raise the cutting deck to the highest position to minimize the possibility of ricochet. Drive slowly to avoid loss of traction and control.

i NOTE

Do not attempt to change the direction of operation while the mower is in motion. Always come to a complete stop before changing the mower direction.

i NOTE

Steering control levers will spring back towards neutral position if you release them, but you still need to control them manually to reach neutral position.

4.2.2 DRIVE THE MACHINE

After starting the traction drive system, engage the steering control levers and steer as follows:

▲ WARNING

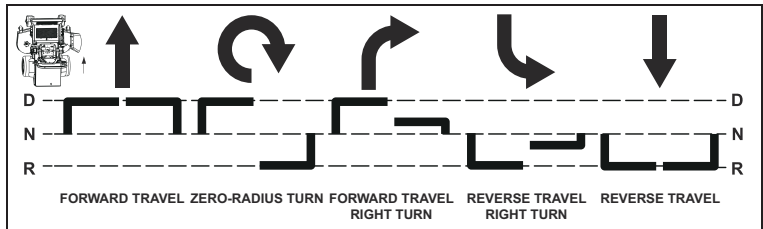
Always be aware of what is behind the machine before backing up. Do not mow in reverse unless absolutely necessary. Always look down and behind before and while backing up.

▲ WARNING

Rapid movement of steering control levers is not recommended as damage to the electrical system components may occur.

- **To go forward**, push steering control levers forward an equal distance.
- **To go in reverse**, pull steering control levers rearward an equal distance.
- **To turn left**, move the right steering control lever farther forward from neutral than the left steering control lever.
- **To turn right**, move the left steering control lever farther forward from neutral than the right steering control lever.
- **To execute a zero-radius turn**, move one steering control lever forward and the other steering control lever rearward. This will allow the drive wheels to counter-rotate.
- **To stop or decrease speed**, move steering control levers to neutral. When going forward, pull back gently on steering control levers. When going in reverse, push forward gently on steering control levers.
- **For an emergency stop**, there are two methods that can be used:
 - When traveling forward or in reverse, place the steering control levers in the park brake position immediately. When moving in the rearward direction, push forward gently on steering control levers and avoid sudden movement. Any sudden movement could cause the front of the mower to come off of the ground, resulting in possible loss of control, thereby causing serious injury or death.
 - Turn the start key to OFF position. This will shut down the traction drive system and the deck drive system.
- **To make a three-point turn to the right**, move the left steering control lever farther forward from neutral than the right steering control lever and start the turn. Next, pull back on the steering control levers until they are past neutral and the machine starts to go rearward. Pull the right steering control lever farther rearward from neutral than the left steering control lever until the rear of the machine has pivoted around. Then, push the steering control levers forward until they are both past neutral and the machine starts to go forward. Push the left steering control lever farther forward from neutral than the right steering control lever and finish the turn.
- **To increase speed**, increase steering control lever's distance from neutral. The farther forward steering control levers are from neutral, the faster the machine will travel forward. The farther back steering control levers are from neutral, the faster the machine will go in reverse.

FRONT OF MOWER FACES THIS DIRECTION



N= NEUTRAL POSITION D= DRIVE POSITION R= REVERSE POSITION

Direction of arrows indicate direction of mower movement

 Left steering control lever

 Right steering control lever

4.2.3 STOP THE MACHINE

▲ DANGER

Never make sudden stops or reverse direction, especially when maneuvering on a slope. The steering is designed for sensitive response. Rapid movement of the steering control levers in either direction could result in a reaction of the machine that can cause serious injury.

1. Return steering control levers to the Neutral position. Push steering control levers outward into park brake position.
2. Push down deck blades ON/OFF switch (PTO) to turn off the blades.
3. Rotate key in power switch to the OFF position.

▲ CAUTION

It is recommended to remove the start key from the machine to prevent accident start of the machine.

4.2.4 USE THE USB PORT

See figure 15

The USB charging port provides charging power of 5 Volts DC at up to 2.1 amps for your cell phone, MP3 player, or other USB devices. Consult the owner's manual for your device for specific charging requirements.

Connect one end of a USB cable (not provided) to your device and the other end to the USB charging port on the mower, to begin charging your device.

i NOTE

Attempting to charge devices rated more than 2.1 amps could damage the USB charging port and/or the mower.

i NOTE

The USB port is only powered when the machine starts.

▲ WARNING

Never use headphones or any electronic device, such as a smart phone or tablet, while operating the mower. Distracted operation can result in an accident that could result in death or serious personal injury to the operator or a bystander.

4.2.5 OPERATION SUGGESTIONS

▲ DANGER

Prior to operation, the operator should be thoroughly familiar with the proper use and operation of the equipment, should read the manual completely and thoroughly, and should have attempted slow moving maneuvers to become familiar with the operation of the equipment before attempting normalspeed operation. An inexperienced operator should not mow on slopes or on uneven terrain.

▲ WARNING

If you lose steering control while operating the machine, place the steering control levers in the park brake position immediately and turn key to the OFF position. Inspect the machine and consult your Cramer dealer to resolve the problem before continuing to operate.

▲ WARNING

The unit's steering control levers are very responsive. For smooth operation, move levers slowly, avoiding sudden movements. Skill and ease of operation come with practice and experience. The machine can spin very rapidly. Use caution when making turns and slow down before making sharp turns.

Inexperienced operators may have a tendency to oversteer and lose control. Slow-moving practice maneuvers are recommended to become familiar with these characteristics before attempting normal-speed operation.

▲ WARNING

Sharp depressions or raised obstacles (such as gutters or curbs) should not be directly approached at high speed in an attempt to "jump" them as the operator could be thrown from the equipment. Approach at a slow speed and angle one drive wheel at the obstruction. Continue at an angle until the wheel clears and then pivot the opposite wheel around.

When turning on soft or wet turf, keep both wheels rolling either forward or backward. Pivoting on one stopped wheel can damage turf. Keep blades sharp. Many problems with incorrect cutting patterns are due to dull blades or blades which have been sharpened incorrectly. Blade sharpness should be checked daily.

▲ DANGER

Never work with blades while key is in the ignition switch. Always place deck blades ON/OFF switch (PTO) in the disengaged position, place steering control levers in the park brake position and turn key to the OFF position and remove key from switch. Block up mower when you must work under it. Wear gloves when handling blades. Always check for blade damage if mower strikes a rock, branch, or another foreign object during mowing.

- **Direct grass discharge to right**, away from unmowed area. Select a mowing pattern that directs grass discharge towards the outside the mowing area. Generally, this means using a pattern utilizing left turns because side discharge is to the right. In any case, avoid throwing grass discharge onto unmowed area because grass is then mowed "twice." Mowing twice puts an unnecessary load on the unit and reduces mowing efficiency.
- **When mowing a lawn for the first time**, cut grass slightly longer than normal to avoid scalping uneven terrain. When possible, it is best to use the cutting height that was used in the past. When cutting grass taller than 152mm (6"), you may want to mow the lawn twice to achieve a better quality of cut.
- **During normal mowing**, cut only about 38mm (1.5") of the grass blade. Cutting more than that is not recommended unless grass is sparse or it is the end of the mowing season.
- **Alternate mowing pattern between cuts** to keep the grass growing straight and better dispersion of the clippings.
- **Remember, grass grows at different rates** at different time of the year. Mow more often in the early spring to maintain the same cutting height. As the growth rate slows in mid summer, mow less frequently. If you cannot mow at a regular interval, mow at a high cutting height at first, then mow again two days later at a lower cutting height.
- **Raise the cutting height of the mower** if the cutting width of the mower is wider than the previous mower. This ensures that uneven turf is not cut too short.
- **Raise the cutting height of the mower** if the grass is slightly taller than normal or if it contains a high degree of moisture. Then mow it again with the cutting height set lower.

- **If the machine's forward motion must be stopped** while mowing, a clump of grass clippings may drop onto your lawn. To avoid this, move onto a previously cut area with the blades engaged.
- **Charge the battery immediately** if the battery power of the machine is lower than 5%.

Model No.	Battery capacity	Action	Battery capacity	Action
82ZT107	≤5%	The maximum drive speed will be 6.4 km/h.	≤5%	The working blade will stop automatically. The unit should immediately be returned to the battery charging area and the unit connected to the battery charger.

- **Allow motors 30 minutes to cool down.** If drive motor exceeds programmed temperature, the motor speed will decrease. If temperature continues to increase, drive will shut down at a higher programmed temperature.

4.2.6 SLOPE OPERATION

See figure 16

Slopes are a major factor related to loss of control and tipover accidents, which can result in severe injury or death. Operation on all slopes requires extra caution. If you cannot back up the slope or if you feel uneasy on it, do not mow it.

- Travel in the manufacturer recommended direction on slopes. Use caution while operating near drop-offs.
- Do not operate machine under any condition where traction, steering, or stability is in question. Tires could slide even if the wheels are stopped.
- Always keep the machine in gear when going down slopes. Do not coast downhill.
- Use extreme caution when operating on slopes.
- Do not remove or modify any wheels.
- Watch for holes, ruts, bumps, rocks or other hidden objects. Uneven terrain could overturn the machine. Tall grass can hide obstacles.
- Remove obstacles such as rocks, tree limbs, garbage etc.
- Keep all movement on slopes slow and gradual. Do not make sudden changes in speed or direction.
- Avoid starting and stopping on a slope. If tires lose traction, disengage the blades and proceed slowly straight down the slope.
- Mow a safe distance (minimum of 10 feet, or 3 meters) away from drop-offs, retaining walls, drainage ditches, embankments, water, and other types of hazards to avoid a wheel dropping over the edge or the ground breaking away. This will reduce the risk of the machine suddenly rolling over, which could cause either serious injury or death.
- Use a walk-behind, push mower or hand-held trimmer on slopes and near drop-offs, retaining walls, drainage ditches, embankments and water.
- Do not mow on wet grass. Reduced traction could cause sliding and loss of steering control.
- Do not tow on slopes. The weight of the towed equipment may cause loss of traction and control.
- If the mower's tires lose traction when operating on slopes, disengage the deck drive, place the steering control levers in the park brake position, turn the start key to the OFF position, remove the key and get help.
- Never make sudden starts, stops, turns, or reverse direction, especially when maneuvering on slopes. The steering is designed for sensitive response. Rapid movement of the steering control levers in either direction could result in a reaction of the machine that can cause serious injury.
- Never stop suddenly while backing down slopes. This action may result in a reaction of the machine that can cause serious physical injury.
- The Cramer mower is capable of operating horizontally (traverse) on moderate slopes. When operating on slopes up to 15 degrees, take care of any conditions that may cause the mower drive tires to lose traction, resulting in a possible loss of control of the machine. An operator should not operate on a slope until he is thoroughly familiar with the equipment.

Do not operate on slopes greater than 15 degrees.

Refer to Slope Guide, when determining the degree of slope to be mowed. It is strongly recommended that the operator drive the machine off of the slope, using extreme caution, if any sign of loss of traction is detected. Wait until the condition that caused the problem is resolved before attempting to operate on the slope again. Terrain conditions can affect traction, resulting in possible loss of control of the machine. Some of the conditions to be aware of are:

1. Wet terrain
2. Depressions in the ground (e.g., holes, ruts, washouts)
3. Mounds of dirt
4. Certain types of soil (e.g., sand, loose dirt, gravel, clay)
5. Grass type, density, and height
6. Extremely dry conditions
7. Tire pressure

The attachments mounted to the mower will also affect the way it handles on a slope. Be aware that each attachment's characteristics vary.

These are just a few examples of situations where caution must be used when operating on a slope. There are many other possibilities too numerous to mention. Remember to always exercise extreme caution while operating on any slope.

5 ELECTRICAL SYSTEM

5.1 ELECTRICAL SYSTEM SAFETY

- Remove key and batteries, and read owner's manual before adjusting or repairing unit.
- Always remove key and batteries before working on this unit.
- Always remove key and batteries when transporting unit.
- Keep unit free of grass clippings, leaves and other debris. DO NOT spray water to clean unit. Use only compressed air. Wear adequate eye and hearing protection when cleaning the unit.
- Always wear safety glasses and protective gear near battery. Use insulated tools.
- Clean battery compartment, drive motor compartment, mower deck, seat, etc., of all dirt and debris. Do not use solvents, hard cleaners or abrasives.
- With key in ON position, mower blade can engage when deck blades ON/OFF switch (PTO) is engaged, even if drive motor is not turning. Keep area clear of bystanders when engaging deck blade ON/OFF switch.
- All maintenance and storage areas should be properly ventilated in accordance with applicable fire codes and ordinances to avoid fire hazards.
- Never allow flames, sparks or smoking near batteries.
- Keep batteries out of reach of children.
- Always keep protective shields, covers and guards in place and securely fastened. If they become damaged, repair or replace immediately. Never modify or remove safety devices.

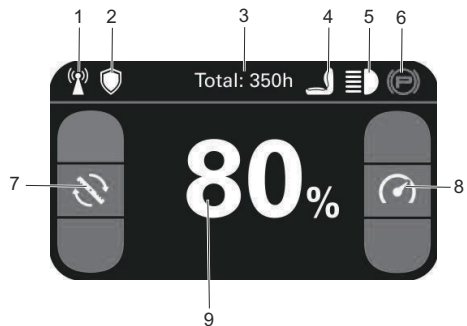
5.2 ELECTRICAL SYSTEM INFORMATION





The Cramer mower is powered by an 82-volt electrical system. It consists of the following components:




1. Blade controller (1)
2. Blade motor (2)
3. Drive controller (1)
4. Accelerator - right (1)
5. Accelerator - left (1)
6. Digital display (1)
7. Wheel motor (2)
8. Battery pack (1)

5.3 DIGITAL DISPLAY

The function of the digital display, located on the control panel, is to provide electrical system information to the operator. It gives detailed information in the form of pattern, codes and number.



#	Name	Function
1		4G GPS Signal
2		GreenShield
3	Total : 350h	Vehicle working time
4		The seat switch is closed.
5		LED Lights

#	Name	Function
6		The parking brake is engaged.
7		Blade speed
8		Driving speed
9	80%	Battery percentage

6 ERRORS

The CANBUS system will take action to protect the user and machine when it detects an issue. When it acts to turn off the machine or a component, it will indicate that an error has occurred, and that error will be shown on the digital display. All electrical errors have a letter code followed by a number. The first letter describes the system that caused the error according to this chart:

Name	Meaning
TR	Right Driver Controller and motor
TL	Left Driver Controller and motor
PMU	Power management unit (in the battery cabin)
ML	Left blade motor controller
MR	Right blade motor controller

6.1 ERROR CODE

Error Code	Description	Solution
TR1	Motor positioning error	Restart the power supply.
TR2	Drive motor stalled	Check if the drive wheels are stuck and restart the power supply.
TR3	Motor low-speed protection	Restart the power supply.
TR4	Motor overspeed protection	Restart the power supply.
TR5	Motor Hall-sensor error	Check that the Hall-effect connector of drive controller is properly connected, and then restart the power supply.
TR6	Controller phase loss	Check that motor cables of the drive controller are connected properly, and then restart the power supply.
TR7	MOSFET open circuit error	If you encounter this issue, contact your distributor for a solution.
TR8	Controller undervoltage	The voltage is too low. Charge the battery pack before use.
TR9	Controller overvoltage	The voltage is too high. Restart the power supply.
TR10	Battery low temperature	The temperature of the battery compartment and battery is too low. Use the machine at a suitable temperature and restart the power supply.
TR11	PMU overtemperature High battery temperature	The temperature of the battery compartment and battery is too high. Wait for the battery to cool down, and then restart the power supply.
TR12	Motor overtemperature	The motor temperature is too high. Wait for the motor to cool down, and then restart the power supply.
TR13	Controller overtemperature	The controller temperature is too high. Wait for the controller to cool down, and then restart the power supply.
TR14	Software overcurrent	The load is too high. Restart the power supply.
TR15	Hardware overcurrent	The load is too high. Restart the power supply.
TR16	Speed controller error	Check that the speed controller of handle is connected properly, and then restart the power supply.
TR17	Controller pre-charge error	Restart the power supply.
TR18	Brake error	Restart the power supply.
TR19	Operating sequence error	Place the left and right handles in the park position, and the blade start switch in the OFF position. Sit in the seat and try again.
TR20	Angle sensor error	Restart the power supply.
TR21	Relay error	Restart the power supply.
TR22	Magnetic valve error	Check that the solenoid valve of drive motor is connected properly, and then restart the power supply.
TR23	Battery compartment (PMU) communication failure	Communication failure with battery compartment. Restart the power supply.
TR24	Battery compartment (PMU) failure	Minor/major error in battery compartment. Perform a check and restart the power supply.
TR25	CAN timeout error - left drive	Communication failure with the left drive controller. Restart the power supply.

Error Code	Description	Solution
TR26	CAN timeout error - right drive	Communication failure with the right drive controller. Restart the power supply.
TR27	CAN timeout error - left blade	Communication failure with the left blade controller. Restart the power supply.
TR28	CAN timeout error - central blade	Communication failure with the central blade controller. Restart the power supply.
TR29	CAN timeout error - right blade	Communication failure with the right blade controller. Restart the power supply.
TR30	Battery compartment flip cover error	Check that the connector under the seat is connected properly, and then restart the power supply.
TR31	Operator presence switch verification error	Check that the connector under the seat is connected properly, and then restart the power supply.
TR32	Software authentication error	Restart the power supply.
TL1	Motor positioning error	Restart the power supply.
TL2	Drive motor stalled	Check if the drive wheels are stuck and restart the power supply.
TL3	Motor lowspeed protection	Restart the power supply.
TL4	Motor overspeed protection	Restart the power supply.
TL5	Motor Hall-sensor error	Check that the Hall-effect connector of drive controller is properly connected, and then restart the power supply.
TL6	Controller phase loss	Check that motor cables of the drive controller are connected properly, and then restart the power supply.
TL7	MOSFET open circuit error	If you encounter this issue, contact your distributor for a solution.
TL8	Controller undervoltage	The voltage is too low. Charge the battery pack before use.
TL9	Controller overvoltage	The voltage is too high. Restart the power supply.
TL10	Battery low temperature	The temperature of the battery compartment and battery is too low. Use the machine at a suitable temperature and restart the power supply.
TL11	PMU overtemperature High battery temperature	The temperature of the battery compartment and battery is too high. Wait for the battery to cool down, and then restart the power supply.
TL12	Motor overtemperature	The motor temperature is too high. Wait for the motor to cool down, and then restart the power supply.
TL13	Controller overtemperature	The controller temperature is too high. Wait for the controller to cool down, and then restart the power supply.
TL14	Software overcurrent	The load is too high. Restart the power supply.
TL15	Hardware overcurrent	The load is too high. Restart the power supply.
TL16	Speed controller error	Check that the speed controller of handle is connected properly, and then restart the power supply.
TL17	Controller pre-charge error	Restart the power supply.
TL18	Brake error	Restart the power supply.
TL19	Operating sequence error	Place the left and right handles in the park position, and the blade start switch in the OFF position. Sit in the seat and try again.

Error Code	Description	Solution
TL20	Angle sensor error	Restart the power supply.
TL21	Relay error	Restart the power supply.
TL22	Magnetic valve error	Check that the solenoid valve of drive motor is connected properly, and then restart the power supply.
TL23	Battery compartment (PMU) communication failure	Communication failure with battery compartment. Restart the power supply.
TL24	Battery compartment (PMU) failure	Minor/major error in battery compartment. Perform a check and restart the power supply.
TL25	CAN timeout error - left drive	Communication failure with the left drive controller. Restart the power supply.
TL26	CAN timeout error - right drive	Communication failure with the right drive controller. Restart the power supply.
TL27	CAN timeout error - left blade	Communication failure with the left blade controller. Restart the power supply.
TL28	CAN timeout error - central blade	Communication failure with the central blade controller. Restart the power supply.
TL29	CAN timeout error - right blade	Communication failure with the right blade controller. Restart the power supply.
TL30	Battery compartment flip cover error	Check that the connector under the seat is connected properly, and then restart the power supply.
TL31	Seat switch verification error	Check that the connector under the seat is connected properly, and then restart the power supply.
TL32	Software authentication error	Restart the power supply.
ML1	Motor positioning error	Restart the power supply.
ML2	Blade motor stalled	Check the mowing load and return the blade start switch to its initial position.
ML3	Motor low-speed protection	Restart the power supply.
ML4	Motor overspeed protection	Restart the power supply.
ML5	Motor Hall-sensor error	Check that the Hall-effect connector of blade controller is properly connected, and then restart the power supply.
ML6	Controller phase loss	Check that motor cables of the drive controller are connected properly, and then restart the power supply.
ML7	MOSFET open circuit error	If you encounter this issue, contact your distributor for a solution.
ML8	Controller undervoltage	The voltage is too low. Charge the battery pack before use.
ML9	Controller overvoltage	The voltage is too high. Restart the power supply.
ML10	Battery low temperature	The temperature of the battery compartment and battery is too low. Use the machine at a suitable temperature and restart the power supply.
ML11	PMU overtemperature High battery temperature	The temperature of the battery compartment and battery is too high. Wait for the battery to cool down, and then restart the power supply.
ML12	Motor overtemperature	The motor temperature is too high. Wait for the motor to cool down, and then restart the power supply.

Error Code	Description	Solution
ML13	Controller overtemperature	The controller temperature is too high. Wait for the controller to cool down, and then restart the power supply.
ML14	Software overcurrent	The load is too high. Restart the power supply.
ML15	Hardware overcurrent	The load is too high. Restart the power supply.
ML16	Speed controller error	Check that the speed controller of handle is connected properly, and then restart the power supply.
ML17	Controller pre-charge error	Restart the power supply.
ML18	Brake error	Restart the power supply.
ML19	Operating sequence error	Place the left and right handles in the park position, and the blade start switch in the OFF position. Sit in the seat and try again.
ML20	Angle sensor error	Restart the power supply.
ML21	Relay error	Restart the power supply.
ML22	Magnetic valve error	Check that the solenoid valve of motor is connected properly, and then restart the power supply.
ML23	Battery compartment (PMU) communication failure	Communication failure with battery compartment. Restart the power supply.
ML24	Battery compartment (PMU) failure	Minor/major error in battery compartment. Perform a check and restart the power supply.
ML25	CAN timeout error - left drive	Communication failure with the left drive controller. Restart the power supply.
ML26	CAN timeout error - right drive	Communication failure with the right drive controller. Restart the power supply.
ML27	CAN timeout error - left blade	Communication failure with the left blade controller. Restart the power supply.
ML28	CAN timeout error - central blade	Communication failure with the central blade controller. Restart the power supply.
ML29	CAN timeout error - right blade	Communication failure with the right blade controller. Restart the power supply.
ML30	Battery compartment flip cover error	Check that the connector under the seat is connected properly, and then restart the power supply.
ML31	Failed to verify blade signal	Check that the blade start switch is connected properly, and then return the switch to its initial position.
ML32	Software authentication error	Restart the power supply.
MR1	Motor positioning error	Restart the power supply.
MR2	Blade motor stalled	Check the mowing load and return the blade start switch to its initial position.
MR3	Motor low-speed protection	Restart the power supply.
MR4	Motor overspeed protection	Restart the power supply.
MR5	Motor Hall-sensor error	Check that the Hall-effect connector of blade controller is properly connected, and then restart the power supply.
MR6	Controller phase loss	Check that motor cables of the drive controller are connected properly, and then restart the power supply.
MR7	MOSFET open circuit error	If you encounter this issue, contact your distributor for a solution.

Error Code	Description	Solution
MR8	Controller undervoltage	The voltage is too low. Charge the battery pack before use.
MR9	Controller overvoltage	The voltage is too high. Restart the power supply.
MR10	Battery low temperature	The temperature of the battery compartment and battery is too low. Use the machine at a suitable temperature and restart the power supply.
MR11	PMU overtemperature High battery temperature	The temperature of the battery compartment and battery is too high. Wait for the battery to cool down, and then restart the power supply.
MR12	Motor overtemperature	The motor temperature is too high. Wait for the motor to cool down, and then restart the power supply.
MR13	Controller overtemperature	The controller temperature is too high. Wait for the controller to cool down, and then restart the power supply.
MR14	Software overcurrent	The load is too high. Restart the power supply.
MR15	Hardware overcurrent	The load is too high. Restart the power supply.
MR16	Speed controller error	Check that the speed controller of handle is connected properly, and then restart the power supply.
MR17	Controller pre-charge error	Restart the power supply.
MR18	Brake error	Restart the power supply.
MR19	Operating sequence error	Place the left and right handles in the park position, and the blade start switch in the OFF position. Sit in the seat and try again.
MR20	Angle sensor error	Restart the power supply.
MR21	Relay error	Restart the power supply.
MR22	Magnetic valve error	Check that the solenoid valve of motor is connected properly, and then restart the power supply.
MR23	Battery compartment (PMU) communication failure	Communication failure with battery compartment. Restart the power supply.
MR24	Battery compartment (PMU) failure	Minor/major error in battery compartment. Perform a check and restart the power supply.
MR25	CAN timeout error - left drive	Communication failure with the left drive controller. Restart the power supply.
MR26	CAN timeout error - right drive	Communication failure with the right drive controller. Restart the power supply.
MR27	CAN timeout error - left blade	Communication failure with the left blade controller. Restart the power supply.
MR28	CAN timeout error - central blade	Communication failure with the central blade controller. Restart the power supply.
MR29	CAN timeout error - right blade	Communication failure with the right blade controller. Restart the power supply.
MR30	Battery compartment flip cover error	Check that the connector under the seat is connected properly, and then restart the power supply.
MR31	Failed to verify blade signal	Check that the blade start switch is connected properly, and then return the switch to its initial position.
MR32	Software authentication error	Restart the power supply.

Error Code	Description	Solution
PMU10	Open circuit in battery pack in PMU	Unconnected battery pack in battery compartment; machine performance may be affected.
PMU11	PMU minor error	A minor error in the battery compartment prevented the blade system from starting. Wait for the system to recover, and then reset the blade start switch.
PMU12	PMU critical error	A major error in the battery compartment prevented the drive and blade systems from starting. Restart the power supply and try again.
PMU13	PMU no battery pack available	Check that you are using the correct battery pack, and then restart the power supply.

7 MAINTENANCE

7.1 MOWER BLADE MAINTENANCE

Check the mower blades daily. They are the key to power efficiency and well-groomed turf. Keep them sharp -- a dull blade will tear rather than cut the grass, leaving a brown ragged top on the grass within a few hours. A dull blade also requires more power. Replace any blade that is bent, cracked or broken.

▲ WARNING

Never attempt to straighten a bent blade by heating, or weld a cracked or broken blade as the blade may break and cause serious injury. Replace worn or damaged blades.

▲ WARNING

Never work with blades while key is in the ignition switch. Turn key to "OFF" position, remove the battery packs from the machine. Block up mower when you must work under it. Wear gloves when handling blades. Always check for blade damage if mower strikes a rock, branch or other foreign objects!

▲ DANGER

Touch-up sharpening can be done with a file. Check the blades for balance following grinding. A commercial balancing tool is available through most hardware supply stores, or balancing can be done by placing the blade on an inverted line punch or 12.7mm (1/2") bolt. Blade should not lean or tilt. While spinning the blade slowly, it should not wobble. If blade is out of balance, true it up before reinstalling. Lay the blade on a flat surface and check for distortion. Replace any distorted blade.

▲ WARNING

- The blade sail (curved part) must be pointing upward toward the inside of the deck to ensure proper cutting.
- When mounting blades, rotate them after installation to ensure blade tips do not touch each other or sides of the mower.
- Failure to correctly torque the bolt may result in the loss of the blade, which can cause serious injury.
- Mower blades are sharp and can cut. Wear gloves and use extra caution when servicing them.

7.1.1 REPLACE THE BLADE

See *figure 17*

1. Stop the motor, remove the start key, and set the parking brake.
2. Raise the height of the cutting deck to its highest position to allow access to blades.

i NOTE

If necessary, raise the mower by placing on a lift or using a jack and jack stands, or remove the cutting deck as described in the previous section to gain access to the blades.

▲ WARNING

If raising the mower to access the blades, make sure the mower is properly secured and the parking brake is set before proceeding. Failure to properly secure the mower could cause it to fall, resulting in death or possible serious personal injury.

3. Wedge a block of wood between the blade and mower deck to prevent the blade from turning.
4. Loosen the blade nut by turning it counterclockwise (as viewed from bottom of mower) using a 16 mm wrench or socket (not provided).
5. Remove the blade nut, spacer, blade insulator, and blade.
6. Thread the blade nut on the shaft and finger tighten.
7. Torque the blade nut down clockwise using a torque wrench (not provided) to ensure the bolt is properly tightened. The recommended torque for the blade nut is 90 N.m~100N.m (66~74 ft.lbs).

▲ WARNING

Ensure blade is properly seated and the blade nut is tightened to the torque specifications above. Failure to properly attach the blade could cause it to come loose and result in possible serious personal injury.

8. Repeat with second blade, if needed.

i NOTE

Make certain all parts are replaced in the exact order in which they were removed.

7.2 TIRES

It is important for level mowing that all tires have the correct amount of air pressure. The recommended pressure are:

i NOTE

Tire pressure should only be measured or adjusted when tires are cold.

Drive wheels	8 psi
Front caster wheels	37 psi

i NOTE

Inspect the tires daily. Replace immediately if damaged.

▲ WARNING

Check the tire pressure carefully while inflating. Too much air in the tire could cause the tire to burst, causing serious personal injury.

7.3 LUBRICATION

See figure 19

Please add oil before operation.

Oil type	SAE85W-140
Oil capacity	180 ml

Contact your Cramer dealer to replace the lubrication.

i NOTE

Replace the gearbox oil after you operate the machine for 50 hours for the first time, then replace the oil every 200 hours.

7.4 TORQUE VALUES

▲ WARNING

Particular attention must be given to tightening the drive wheel lug nuts and blade spindle bolts. Failure to correctly torque these items may result in the loss of a wheel or blade, which can cause serious damage or personal injury.

Torque values are given below:

Part	Ft-lbs.	Nm
Wheel (lug) nuts	89	120
Blade spindle bolt	66	90

Lug nuts only -It is recommended that these be checked after the first 2 hours of operation, initially, every 100 hours and following removal for repair or replacement.

7.5 BATTERY PACK MAINTENANCE

Your Cramer mower is powered by a battery pack which, when maintained properly, will provide years of useful life. For proper care, adhere to the following instructions:

- Always charge batteries after each use.
- Whenever a battery pack is fully discharged and turned off, it is best to recharge the battery as soon as possible. Over-discharge of the battery pack means the battery life will be shortened and the battery may become permanently damaged. There is no need to fully charge; it will be beneficial even if you only charge the battery pack for 5-10 minutes. It is best to recharge it within 24 hours.
- Keep grass, dirt and debris from collecting near battery terminals and in battery area.
- Charge batteries indoors in a well-ventilated and dry location away from sparks or flames. Never expose charger to rain, vapor or liquid.
- Charge only lithium batteries provided by Cramer.
- Do not touch uninsulated portion of charger (terminal pins) or of output connector.
- Do not use with defective cords and wires. Replace defective cords and wires immediately.
- For long-term storage, please make sure the storage temperature is -20°C - 45°C within one month, and 0°C - 35°C between two and twelve months.
- The working environment of the battery pack is -20°C -55°C for discharge, and 0°C~55°C for charge.

7.6 BATTERY COMPARTMENT FILTER MAINTENANCE

Replace the battery compartment filter every 200 hours.

7.7 SERVICE

i IMPORTANT

Wait for all movement to stop before adjusting, cleaning or repairing. Repairs or maintenance requiring power should be performed by trained maintenance personnel only. Read and observe safety warnings in front of manual.

i IMPORTANT

Repairs or maintenance requiring power should be performed by trained maintenance personnel only.

- Park the mower on level ground. Make sure that steering control levers are in the neutral position, and that the PTO switch is in "OFF" position. Raise deck, rotate key to "OFF" position, remove key from switch and remove the battery packs from the battery compartment under the seat.
- Any maintenance operation that requires the removal of safety covers must be performed by a trained service technician.
- Use a stick or similar instrument to clean under the mower, making sure that no part of the body -- especially arms and hands -- is under mower.
- Keep your machine clean and remove any deposits of trash and clippings.

- Keep battery compartment, deck and operator's station clean of accumulated trash, grass clippings, and other debris.
- Clean battery compartment, drive motor compartment, mower deck, seat, etc., of all dirt and debris. To clean, use only compressed air. DO NOT use water, solvents, hard cleaners or abrasives.
- Always wear adequate eye protection when servicing the batteries or when grinding mower blades and removing accumulated debris. Never attempt to make any adjustments or repairs to the mower's drive system, mower deck or any attachment while the traction drive system is running. Repairs or maintenance requiring power should be performed by trained maintenance personnel only.
- Never work under the machine or attachment unless it is safely supported with jack stands. Make certain machine is secure when it is raised and placed on the jack stands.
- The jack stands should not allow the machine to move when the traction drive system is running and the drive wheels are rotating. Use only certified jack stands. Use only appropriate jack stands, with a minimum weight rating of 2000 pounds (907.2 kg) to block the unit up. Use in pairs only. Follow the instructions supplied with the vehicle stands.
- Do not touch hot parts of machine.
- Keep nuts and bolts tight, especially the blade attachment bolts. Keep equipment in good working condition.
- Never tamper with safety devices. Check their proper operation regularly.
- Turn the key to the "OFF" position before unclogging the discharge chute.
- Never clear the discharge chute with the machine running. Turn the key to the "OFF" position and be sure the blades have stopped before cleaning. Use a stick to clear a plugged discharge area. Never use your hand!
- Stop unit and allow blades to stop before unclogging chute. Grass collection system components are subject to wear, damage and deterioration, which could expose moving parts or allow objects to be thrown. Frequently check components and replace with manufacturer's recommended parts, when necessary.
- Exercise caution when working under the deck as the mower blades are extremely sharp. Wear gloves and use extra caution when servicing them.
- Use only genuine Cramer Mower parts to ensure that original standards are maintained.
- Always remove batteries when transporting unit. Keep unit free of grass clippings, leaves and other debris.
- Check brake operation frequently. Adjust and service as required.
- Maintain or replace safety and instruction labels, as necessary.
- Have your ride-on lawn mower serviced by a qualified repair person using only identical replacement parts. This will ensure that the safety of the ride-on lawn mower is maintained.
- Recharge only with the charger specified by the manufacturer. A charger that is suitable for one type of battery pack may create a risk of fire when used with another battery pack.

8 TRANSPORTATION AND STORAGE

8.1 TRANSPORTATION

▲ WARNING

Use extra care when loading or unloading the machine into a trailer. Press the low speed drive button and carefully move the drive levers as needed to control the speed. Always back onto the trailer when loading. When loading or unloading the mower, do not exceed the maximum recommended operation angle of 15°. Failure to follow these instructions can result in loss of control and result in death, serious personal injury, or property damage.

▲ WARNING

Use care when loading or unloading the mower onto a trailer. Ensure the cutting deck is raised to the highest position so that it is not caught on the ramp. The wheels on the mower can go off the ramp or trailer, causing the mower to pivot or tip over, and result in a crush hazard that can cause death or serious personal injury.

1. Park the mower on a level surface.
2. Raise the cutting deck to the highest position.
3. Position and secure ramp to the trailer according to manufacturer's instructions.

i NOTE

We recommend you use one full width loading ramp that is at least 1 ft. wider than the mower to minimize the risk of the mower's wheels going off the side of the ramp.

4. Slowly back the mower onto the ramp and into the trailer.
5. Lower mower deck completely.
6. Set the parking brake.
7. Turn off mower and remove key.
8. Secure the mower as needed using straps or cables to prevent movement during transport.

▲ WARNING

To avoid accidental starting or movement that could result in serious personal injury, always remove the start key and set the parking brake when transporting the mower.

8.2 CLEAN AND STORAGE**8.2.1 CLEAN THE MACHINE**

- Remove any build-up of grass and leaves on or around the motor cover (Do not use water from a high-pressure gun to flush the motor).
- Occasionally wipe the mower clean with a dry cloth.
- If debris builds up on the underside of the mower during use, stop the motor, turn off the machine, and scrape it clean using an appropriate tool.

8.2.2 CLEAN THE MOWER DECK

See *figure 18*

- Set the parking brake into the parking slots.
- Adjust the mower deck height to the lowest.
- Attach the supplied wash-port quick-coupler to garden hose.
- Attach garden hose with quick-coupler to wash port on the mower deck. The wash port is on the left side of the mower deck.
- Turn on the water.
- Pull the PTO switch to start the mower cutting blades and adjust the blade speed to the highest.
- Flush water under the deck for approximately one minute.
- Disengage the mower blades by pushing the PTO switch downward.
- Turn off the water and remove garden hose and quick-coupler from wash port.
- Remove quick-coupler from garden hose and store for future use.
- Turn off the mower completely.

8.2.3 STORE THE MACHINE

The following steps should be taken in order to prepare the machine for storage.

- Clean the machine as described in the previous section.
- Inspect the blade and replace it or sharpen it, if required (refer to the Maintenance section).
- Do not store the machine next to corrosive materials, such as fertilizer or rock salt.
- Keep the machine out of the reach of children.
- Do not cover the machine with a solid plastic sheet. Plastic coverings trap moisture around the machine, which causes rust and corrosion.
- Check thoroughly for any worn or damaged parts that need replacing and order them from your dealer.
- Please contact service center to thoroughly lubricate machine.
- Fully charge and service the batteries.
- Do not deflate tires.
- The machine should be stored in a well-ventilated, clean and dry place as the battery charger cannot be used in a wet environment.

- Always keep the batteries fully charged. It is especially important to prevent battery damage when the temperature is below 32°F (0°C).
- Attach the charger adapter to the charging port and the batteries per the Charging Adapter section in the Electrical System section.
- Plug the charger into a proper electrical outlet. Refer to Battery Charger, Battery Charging and Charging Recommendations portions of the Electrical System section for more details on using the charger and charging the batteries.
- To maximize battery life it is best to fully charge batteries shortly after each use.

8.2.4 PREPARE FOR USE AFTER STORAGE

The following steps should be taken before using the mower after it has been stored:

- Fully charge the batteries.
- Check tire pressure and inflate as needed.
- Briefly drive the mower and check all systems and components to ensure they are functioning correctly.

9 TROUBLESHOOTING

PROBLEM	POSSIBLE CAUSE	SOLUTION
Vehicle won't move.	The battery compartment is not inserted into the battery pack or not Cramer designated battery pack.	To ensure the normal operation of the vehicle, at least 1 piece of Cramer designated battery pack products should be placed in the battery compartment.
	Battery pack is not charged.	Check the battery pack power.
	Steering control levers are in parking brake position.	Ensure that the left and right control levers are not in parking brake position.
	No one is sitting on the seat or the operator presence switch is not closed.	Make sure the driver is sitting on the seat.
	The left and right park switches are not in the initial position when the power is on.	Put the steering control levers in the parking brake position and restart the machine, if it still cannot be started, please contact the relevant Cramer after-sales personnel.
	The battery compartment is in dormant state.	Turn the key switch to OFF gear and wait for more than 5 seconds before restarting the machine.
Sudden breakdown during driving	Battery is not charged.	To ensure the normal operation of the whole vehicle, it is necessary to place at least 1 piece of Cramer designated battery pack products in the battery compartment and ensure that the battery pack has power.
	Rough and bumpy roads, resulting in disconnection of the operator presence switch.	Put the steering control levers in the parking brake position and restart the machine.
	Left/Right accelerator is failure.	Contact Cramer after-sales service staff..
	Drive controller failed.	Contact Cramer after-sales service staff..
The blade does not operate after pulling the PTO switch.	The battery compartment is not inserted in the battery pack specified by Cramer.	To ensure the normal operation of the whole vehicle, it is necessary to place at least 1 piece of Cramer designated battery pack products in the battery compartment and ensure that the battery pack has power.
	The battery power is lower than 5%.	Check the battery pack power, if the battery power is low, charge the battery.
	The operator presence switch is not closed.	Ensure the driver is sitting on the seat.
	The blade switch (PTO) is not in the initial position before power on.	Press the PTO and pull it up again.
	Blade motor blocking or other functional protection.	Check that there are no weeds and other foreign objects at the connection between the blade and the motor to ensure smooth blade rotation. It is recommended to pull up the deck and start the blade before adjusting the deck to required gear.
	Drive controller is malfunctioning.	Check the error code appearing on the display.
The blade stops when mowing grass.	Blade controller is malfunctioning.	Check the error code appearing on the display.
	Blade motor overload.	Clean the inside of the deck, make sure there is no abnormal blade rotation, press the PTO, restart the machine and reduce the blade load, either by raising the height of the cutting table or reducing the driving speed.

PROBLEM	POSSIBLE CAUSE	SOLUTION
	Battery pack temperature is too high.	Do not use it immediately after charging is completed, otherwise it may trigger the battery pack temperature protection error.
	The battery power is lower than 5%.	The battery pack power is low, please charge the battery.
	The blade is hit by a foreign object, causing a sudden stop.	Turn the start key to OFF position and wait for more than 5 seconds before restarting the machine.
	Drive controller is malfunctioning.	Check the error code appearing on the display.
The mower cuts the grass unevenly, and the height difference is very large.	The blade is blunt.	Polish the blade according to the manual.
	Blade is bent.	Replace the bending blade, replace the blade in accordance with the instructions, and wear protective gear.
	Deck is not flat.	Flatten the deck according to the instructions to ensure that the left and right heights are equal.
The actual mowing height does not match the marked mowing height chosen.	Loose fixing bolts of deck.	Adjust the fixing bolts of deck to ensure that it is firmly installed. Note: the deck needs to be re-leveled after adjusting the mounting bolts.
	The deck has been seriously worn or damaged.	Replace a new deck.
Abnormal vehicle shredding	The lawn is too wet.	Before cutting, please check the grass condition. If the grass is too wet, please wait for the wind to dry or sunshine, wait for the lawn dew to dissipate before cutting.
	The mower is set to cut too much grass at one time.	If the grass is too dense and high, please raise the deck and avoid cutting heavy grass as much as possible.
Excessive machine vibration	Blades are loose.	Polish the blade according to the method in the manual.
	Blades are bent.	Replace the bending blade, pay attention to the correct replacement of the blade in accordance with the instructions, and wear protective gloves.
	Uneven deck.	Flatten the deck according to the instructions to ensure that the left and right heights are equal.
	Loose deck.	Lock the fixed bolts of the deck.
	The mower is set to cut too much grass at one time.	If the grass is too dense and high, please raise the deck, try to avoid cutting heavy grass.
Grass leaves or debris left on the ground after mowing.	The mower is set to cut too much grass at one time.	If the grass is too dense and high, please raise the deck, if the grass is higher than 15cm, please use two mowing cycles to achieve the mowing effect, try to avoid cutting heavy grass.
	The grass is too wet.	Please check the grass condition before mowing, if the grass is too wet, please wait for the wind to dry or sunshine, wait for the lawn dew to dissipate before mowing.
	Driving speed is too fast.	Lower the driving speed.
	Blade cutting speed is too low.	Increase the speed level of blade.
Short mowing duration	Mowing heavy grass may result in short mowing duration.	Raising the deck or decreasing the speed of blade can increase the mower's usage time on one charge.
Mower runaway	Different tire pressure	Check the rear tire pressure of the mower regularly according to the manual.

PROBLEM	POSSIBLE CAUSE	SOLUTION
Vehicle won't start after washing.	Improper cleaning, such as water into the LED screen, battery compartment and other electronic components parts.	<ol style="list-style-type: none"> 1. Please follow the instructions to clean the machine. 2. If the vehicle is accidentally drenched, please put the vehicle in a dry place for 12h or blow dry before use. 3. Contact Cramer after-sales service staff.
The mower is blocked.	Weeds and garbage piled up on the deck.	Please follow the instructions to clean the machine each time after you use the machine.
In park, the machine slides rapidly on the slope and skids.	Severe tire wear.	Contact the after-sales personnel to replace the tires.
	The electromagnetic brake is damaged or terribly worn.	Contact the after-sales personnel to replace the electromagnetic brake.
	Electromagnetic brake is manually released.	Check the electromagnetic brake and reset it to the initial position.

10 TECHNICAL DATA

Model No.	82ZT107
Voltage	82 V
Gross vehicle weight	106±3 kg
Length	170 cm
Height	117 cm
Width (with discharge)	135 cm
Width (without discharge)	107 cm
Deck width	107 cm
Forward speed	0-7.5 mph
Reverse speed	0-3 mph
Cutting height range	3.81-11.4 cm
Cutting height adjustment level	7 pcs
No load speed	2400/3000/3200 RPM
Charging time	4 h (with 8 A charger)
Motor power	1.2 kW (blade motor) 1.2 (drive motor)
MAX slope handling	15°
Number of blades (discharge/mulch)	2 pcs
Measured sound pressure level	$L_{pA} = 85.63 \text{ dB(A)}$, $K_{pA} = 3 \text{ dB(A)}$
Measured sound power level	$L_{wA} = 98.61 \text{ dB(A)}$
Guaranteed sound power level	$L_{wA,d} = 100 \text{ dB(A)}$
Vibration	Arms: $\leq 2.5 \text{ m/s}^2$, $K = 1.5 \text{ m/s}^2$
	Body: $\leq 2.5 \text{ m/s}^2$, $K = 1.5 \text{ m/s}^2$

11 LIMITED WARRANTY

11.1 WHAT IS COVERED BY THIS WARRANTY

Cramer makes the following warranty to the original purchaser ("Owner") only - warranty is non-transferable:

A. Residential Use: Cramer product used for normal residential purposes* are warranted for five (5) years or 1,500 hours total usage (whichever comes first) from date of purchase on all materials and workmanship of chassis, deck and batteries. Consumables such as tires and blades are warranted for thirty (30) days from the date of purchase. If the Owner discovers within this warranty period a defect in materials or workmanship:

- Owner must promptly notify Cramer or an authorized dealer in writing or via email, phone call, app or in person of the defect. In no event shall such notification be received by Cramer, or an authorized dealer, later than five (5) years from the date of purchase.
- Within a reasonable time after such notification, and verification of warrantable defect; Cramer will correct any defect in material or workmanship on the Cramer product by, at its option, repairing or replacing part(s) with either new or used replacement parts.
- Such repair, including parts and labor, shall be at the expense of Cramer to the original Owner only.

B. Commercial Use: Cramer product used for commercial and institutional use are warranted for five (5) years or 1,500 hours total usage (whichever comes first) from date of purchase on all materials and workmanship of chassis, deck, and batteries. Consumables (including but not limited to tires and blades) are warranted for thirty (30) days from the date of purchase. If the Owner discovers within this warranty period a defect in materials or workmanship:

- Owner must promptly notify Cramer or an authorized dealer in writing, via email, phone call, app or in person of the defect. In no event shall such notification be received by Cramer, or an authorized dealer, later than five (5) years from the date of purchase.
- Within a reasonable time after such notification and verification of warrantable defect Cramer will correct any defect in material or workmanship on the Cramer product by, at its option, repairing or replacing part(s) with either new or used replacement parts.
- Such repair, including parts and labor, shall be at the expense of Cramer to the original Owner (commercial) only.

i NOTE

Failure to properly maintain batteries and keep them fully charged will reduce battery life and will void the battery warranty. The provisions of this limited warranty shall not apply to failure due to:

- Abuse or neglect such as: water damage, loose wiring or rusted or corroded hardware.
- Lack of proper maintenance; damage caused by improper installation of the battery; neglect, breakage, exposure to extreme temperature conditions including but not limited to freezing temperatures, hot temperatures, proximity to heat sources including warmers or fire, exposure to water or other substances, wreckage, operation of the battery in an overcharged or uncharged condition.
- A battery charged by systems other than the original equipment type battery charger.

Footnote: *"Normal residential purposes", as used herein, means use of Product on same lot as your home. Use at more than one location is considered commercial use, after which the commercial use warranty would apply.*

11.2 WHO MUST PERFORM THE WARRANTY SERVICE

All warranty service shall be performed by a Cramer authorized dealer or Cramer authorized service technician. Service calls and/or transportation expense of the product to and from the authorized dealer, for warranty work, will be paid by the owner of the product. For warranty service, contact an authorized dealer.

11.3 WHAT IS NOT COVERED BY THIS WARRANTY

Cramer does not warranty:

- Repairs made by unauthorized persons.
- Damage caused by use of the Cramer product for purposes other than those for which it was designed.
- Damages caused by disasters such as fire, flood, wind, and lightning.
- Damages caused by neglect, abuse, abnormal use, improper or unreasonable use, accident, negligence, or misuse such as water damage.
- Repairs or replacement resulting from the use of unauthorized parts, accessories, or attachments.

- Repairs or replacement as the result if any alterations or modifications, in the determination of Cramer, which adversely affects the operation, performance or durability of the equipment.
- Products, components, or parts not manufactured by Cramer.
- Products that have had their identification altered, including but not limited to serial numbers removed and/or made illegible.
- Depreciation or damage caused by normal wear, lack of reasonable and proper maintenance, failure to follow the product's owner's manual operating, maintenance and adjustment instructions or other operational instructions provided by Cramer.
- Normal maintenance parts and service including, but not limited to, lubricants, tune-up parts, blades, blade sharpening, bearings, brake or steering adjustments.
- Products with unapproved programming for that product including alterations to parameters, aftermarket programming or adjustments, or any unapproved modification to components, electronics, or software.

11.4 DISCLAIMER OF WARRANTY

The foregoing warranties are in lieu of all other warranties, expressed or implied, including but not limited to the implied warranties of merchantability and fitness for a particular purpose. However, if the Cramer Product is purchased as a consumer product, any implied warranty of merchantability or fitness for a particular purpose is limited to the duration of this limited warranty. Some states do not allow limitations on how long an implied warranty lasts, so the above limitation may not apply to you. This warranty gives you specific legal rights, and you may also have other rights which vary from state to state.

11.5 LIMITATION OF REMEDIES

In no case shall Cramer be liable for any special, incidental, or consequential damages based upon breach of warranty, breach of contract, negligence, strict liability in tort, or any other legal theory. Such damages include, but are not limited to:

- Loss of profits
- Loss of savings or revenue
- Loss of use of the Cramer Product or any associated equipment
- Cost of capital
- Cost of any substitute equipment, facilities, services or downtime
- The claims of third parties, including customers, and injury to property

11.6 TIME LIMIT

Unless State law determines otherwise:

Any action for breach of warranty must be commenced within five (5) years or sixty (60) months from the date of purchase in a residential and/or commercial application.

In the event the date of manufacture exceeds a reasonable timeframe preceding first customer purchase, Cramer warranty may be subject to additional limitations.

11.7 NO OTHER WARRANTIES

This agreement is understood to be the complete and exclusive agreement between the parties, superseding all prior agreements, oral or written, and all other communications between the parties relating to the subject matter of this agreement.

11.8 OWNER'S RESPONSIBILITY

You must maintain your Cramer Product following the maintenance procedures described in your owner's manual. Such routine maintenance, whether performed by a dealer or by you, is at your expense.

This machine, like any other powered equipment, is potentially dangerous unless properly operated. Any operator must be cautious and always keep safety in mind. Any operator, prior to using the Cramer Product, should thoroughly familiarize themselves with the owner's manual regarding operation and safety of the machine, as well as all safety warnings on the machine itself.

11.9 ALLOCATION OF RISKS

This agreement allocates the risks of product failure between Cramer and the Owner. This allocation is recognized by both parties and is reflected in the price of the goods.

11.10 WARRANTY REGISTRATION

Unless State law determines otherwise:

1. Owners must register the unit with Cramer within ten (10) days following date of purchase.
2. Registration can be completed by filling out the Warranty Registration Form, which is provided in the operator manual.
3. Registration can also be completed by using forms online at cramertools.com or by using the app and providing proof of purchase (receipt including date of purchase).

12 EC DECLARATION OF CONFORMITY

Name and address of the manufacturer:

Name: Greenworks Tools Europe GmbH
Address: Brunnenweg 17, 64331 Weiterstadt, Germany

Name and address of the person authorised to compile the technical file:

Name: Ralf Pankalla
Address: Brunnenweg 17, 64331 Weiterstadt, Germany

Herewith we declare that the product

Category: Zero-turn Mower
Model: 82ZT107
Serial number: See product rating label
Year of Construction: See product rating label

- is in conformity with the relevant provisions of the Machinery Directive 2006/42/EC.
- is in conformity with the provisions of the following other EC-Directives:
 - 2014/30/EU
 - 2011/65/EU & (EU)2015/863

Furthermore, we declare that the following (parts/clauses of) European harmonised standards have been used:

- EN 62841-1, EN ISO 5395-1, EN ISO 5395-3, EN ISO 14982, IEC 62321-3-1, IEC 62321-4, IEC 62321-5, IEC 62321-6, IEC 62321-7-1, IEC 62321-7-2, IEC 62321-8

Place, date: 11.11.2022

Signature: Ted Qu, Quality Director

Ted Qu

1	Beschreibung.....	33	7.4	Drehmomentwerte.....	53
1.1	Übersicht.....	33	7.5	Wartung des Akkupacks.....	53
1.2	Bedienfeld.....	33	7.6	Wartung des Akkufachfilters.....	53
2	Maschine auspacken.....	33	7.7	Service.....	53
3	Montage.....	34	8	Transport und Lagerung.....	55
3.1	Installation des Sitzes.....	34	8.1	Transport.....	55
3.2	Mulchabdeckung montieren.....	34	8.2	Reinigung und Lagerung.....	55
3.3	Montieren des Lenkstockhebels.....	34	9	Fehlerbehebung.....	57
3.4	Knopf für Neutralüberbrückung.....	35	10	Technische Daten.....	60
3.5	Mähwerksrollen.....	35	11	Garantiebestimmungen.....	60
4	Betriebsanweisungen.....	35	11.1	Was wird durch diese Garantie	
4.1	Vor der Bedienung.....	35		abgedeckt.....	60
4.2	Bedienung der Maschine.....	37	11.2	Wer erbringt die Garantieleistung.....	61
5	Elektrisches System.....	42	11.3	Was von dieser Garantie nicht	
5.1	Sicherheit der elektrischen Anlage.....	42		abgedeckt ist.....	61
5.2	Informationen zum elektrischen System..	43	11.4	Ausschluss der Gewährleistung.....	62
5.3	Digitale Anzeige.....	43	11.5	Begrenzung der Rechtsmittel.....	62
6	Fehler.....	43	11.6	Zeitliche Begrenzung.....	62
6.1	Fehlercode.....	45	11.7	Keine weiteren Garantien.....	62
7	Wartung und Instandhaltung....	51	11.8	Verantwortung des Eigentümers.....	62
7.1	Wartung der Mähklingen.....	51	11.9	Aufteilung der Risiken.....	62
7.2	Reifen.....	52	11.10	Garantieregistrierung.....	62
7.3	Schmierung.....	52	12	EG-Konformitätserklärung.....	63

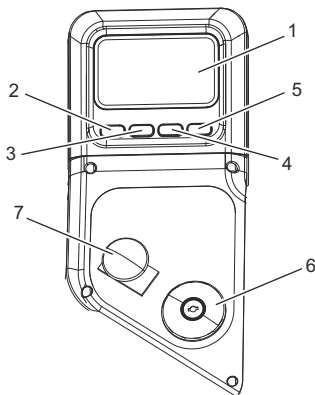
1 BESCHREIBUNG

1.1 ÜBERSICHT

Siehe separates Abbildungsblatt 1-19

- | | |
|---|---|
| <ul style="list-style-type: none"> 1 Lenkstockhebel 2 Hebel zur Sitzverstellung 3 Scheinwerfer 4 Vorderräder 5 Auswurfschacht 6 Antriebsräder 7 Bedienfeld 8 USB-Anschluss 9 Becherhalter 10 Mähwerk 11 Mähwerksrollen 12 Hebel zur Höhenverstellung des Mähwerks 13 Sitzplatte 14 Sitzstopfen 15 Mulchabdeckung 16 Lagerring 17 Befestigungsclammern 18 Befestigungsstange | <ul style="list-style-type: none"> 19 Knopf für Neutralüberbrückung 20 Seriennummer 21 Kopplungscode 22 QR-Code 23 Akkufach 24 Akkupack 25 Akkuverriegelung 26 Strom AUS 27 Strom EIN 28 Startschlüsseloch 29 Schraube 30 Unterlegscheibe 31 Messer 32 Gartenschlauch 33 Schnellkupplung 34 Waschanschluss 35 Ölablassöffnung 36 Ölregler |
|---|---|

1.2 BEDIENFELD



#	Name	Funktion
1	Digitale Anzeige	Diese Anzeige zeigt wichtige Informationen über das elektrische System an. Vollständige Informationen finden Sie im Abschnitt über die Elektrik.
2	Drehzahlregelung des Klingenmotors / Rücklauf	Stellt auf dem Startbildschirm die Messerdrehzahl (zyklisch) ein. Drücken Sie die Taste, um zur vorherigen Seite zurückzukehren.
3	Menüführung / Bild nach oben	Die digitale Anzeige geht zur letzten Seite. Zurück zum Startbildschirm.
4	Lampenschalter / Bild nach unten	Schaltet die Lampen auf dem Startbildschirm ein/aus. Die digitale Anzeige geht zur nächsten Seite.
5	Fahrgeschwindigkeitsskontrolle / Bestätigen	Stellt auf dem Startbildschirm die Fahrgeschwindigkeit (zyklisch) ein. Drücken Sie die Taste, um zu bestätigen.
6	Ein/Aus-Schalter	Der Schalter wird zum Ein- und Ausschalten des Mähers verwendet.
7	Mähwerksklingen Ein/Aus-Schalter (PTO)	Der Schalter schaltet die Klingenmotoren ein. Ziehen Sie den Schalter nach oben, um die Motoren zu aktivieren und drücken Sie ihn nach unten, um sie zu deaktivieren.

i WICHTIG

Schalten Sie die Klingenmotoren niemals ein, wenn das Mähwerk unter Last steht. Motoren oder Mähwerk könnten beschädigt werden.

2 MASCHINE AUSPACKEN

▲ WARNUNG

Vergewissern Sie sich, dass Sie die Maschine vor dem Gebrauch richtig montiert haben.

▲ WARNUNG

- Bei beschädigten Maschinenteilen dürfen Sie die Maschine nicht verwenden.
- Bei fehlenden Teilen dürfen Sie die Maschine nicht verwenden.
- Wenn Teile beschädigt sind oder fehlen, wenden Sie sich an die Servicestelle.

1. Öffnen Sie die Verpackung.
2. Lesen Sie die beiliegende Dokumentation.
3. Entnehmen Sie alle unmontierten Teile aus dem Karton.
4. Nehmen Sie die Maschine aus dem Karton.
5. Entsorgen Sie den Karton und das Verpackungsmaterial gemäß den örtlichen Vorschriften.

▲ WARNUNG

Zu Ihrer eigenen Sicherheit dürfen Sie den Akkupack nicht einsetzen, bevor das Werkzeug vollständig zusammengebaut ist.

3 MONTAGE

3.1 INSTALLATION DES SITZES

Siehe Abbildung 3

1. Setzen Sie die Sitzbaugruppe auf die Sitzplatte und richten Sie die Löcher wie gezeigt aus.
2. Montieren Sie die Schrauben, Unterlegscheiben und Muttern und ziehen Sie sie fest an.
3. Befestigen Sie die Hülsen an den Muttern.
4. Stellen Sie sicher, dass er fest sitzt.
5. Schließen Sie den Sitzstecker an die Maschine an.

3.2 MULCHABDECKUNG MONTIEREN

Siehe Abbildung 4

Der Mäher ist bei Auslieferung für den Seitenauswurf konfiguriert. Wenn Sie mulchen möchten:

1. Setzen Sie die Mulchabdeckung auf die Lasche am Mähergehäuse.
2. Richten Sie die Löcher in der Mulchabdeckung und die Löcher im Mähergehäuse aus.
3. Bringen Sie die Bolzen, Schrauben, Befestigungsklammern und den Lagerring wie gezeigt an und ziehen Sie sie fest.

3.3 MONTIEREN DES LENKSTOCKHEBELS

Siehe Abbildung 5-6

▲ WARNUNG

Die linken und rechten Lenkhebel sollten so eingestellt werden, dass sie in der Neutralstellung zueinander fluchten. Montieren Sie die Lenkhebel NIEMALS in einer asymmetrischen Bedienhöhe.

1. Heben Sie einen Lenkstockhebel an, um die Löcher im Hebel mit den Löchern in der entsprechenden Befestigungsstange auszurichten.
2. Wählen Sie die gewünschte Arbeitshöhe des Lenkhebels. Setzen Sie die Schraube zusammen mit der Unterlegscheibe in das Loch ein.
3. Verwenden Sie den Schraubenschlüssel (13*16 mm), um den Lenkhebel zu befestigen.
4. Montieren Sie den anderen Lenkstockhebel auf die gleiche Weise.

▲ VORSICHT

Montieren Sie den Lenkstockhebel nicht verkehrt herum.

3.3.1 LENKSTOCKHEBEL

Die beiden Hebel steuern die Geschwindigkeit, die Fahrtrichtung, das Anhalten, die Neutralsperre und die Feststellbremse des Mähers. Die Hebel werden zum Lenken, Beschleunigen, Abbremsen, Anhalten und Richtungswechsel verwendet. Wenn sich die Steuerhebel in der Feststellbremsstellung befinden, bewegt sich der Mäher nicht.

i HINWEIS

Fahren Sie immer mit beiden Händen. Fahren Sie nicht mit nur einer Hand.

3.3.2 DIE APP VERWENDEN

Siehe Abbildung 9-10

1. Besuchen Sie die Website von Fleet Management: fleet.cramertools.com
2. Erstellen Sie ein Konto und melden Sie sich dann an.
3. Laden Sie andere Benutzer Ihrer Organisation ein.
4. Scannen Sie den QR-Code, laden Sie die App herunter und melden Sie sich an.
5. Fügen Sie ein Gerät hinzu. Suchen Sie die Seriennummer, den Kopplungscode und den QR-Code auf dem Etikett des Fahrzeugs in diesem Handbuch. Scannen Sie den QR-Code oder geben Sie ihn manuell ein.

3.4 KNOPF FÜR NEUTRALÜBERBRÜCKUNG

Siehe Abbildung 7-8

1. Ziehen Sie die Knöpfe der Neutralüberbrückung nach außen und dann nach unten, um das Rad zu entriegeln.
2. Bringen Sie die Knöpfe für die Neutralüberbrückung wieder in Position, um die Räder zu blockieren.

▲ WARNUNG

Fahren Sie den Mäher niemals mit eingeschaltetem Knopf für die Neutralüberbrückung. Bringen Sie den Knopf für die Neutralüberbrückung vor dem Fahren immer in die ursprüngliche Position! Wenn Sie den Knopf nicht wieder einbauen, kann Ihr Mäher ernsthaft beschädigt werden und die Garantie für den Mäher erlischt!

▲ WARNUNG

Entriegeln Sie den Knopf für die Neutralüberbrückung niemals, wenn die Maschine an einer Steigung arbeitet!

3.5 MÄHWERKSROLLEN

Siehe Abbildung 2

Mähwerkrollen gehören zur Standardausrüstung von Cramer. Diese Mähwerkrollen wurden entwickelt, um das Einschneiden in raues, unebenes Gelände beim Mähen zu minimieren. Stellen Sie nach der Einstellung der Schnitthöhe die Mähwerkrollen so ein, dass sie unter das Mähwerk ragen, aber nicht den Boden berühren. Sie sollten immer mindestens 0,6 cm bis 1,9 cm unter dem Mähwerk liegen. Wenn das Gerät auf einer ebenen Fläche steht, kann die Position des Rads je nach Bedarf von 1,9 cm bis 4,4 cm unter der Messeroberfläche nach oben oder unten eingestellt werden. Bewegen Sie die Räder nach oben oder unten - unter Verwendung der verschiedenen Achsbefestigungslöcher in der Radhalterung (falls für das Modell zutreffend).

4 BETRIEBSANWEISUNGEN

4.1 VOR DER BEDIENUNG

4.1.1 EINSTELLEN DES SITZES

Siehe Abbildung 11

▲ WARNUNG

Stellen Sie sicher, dass die Sitzschale vor jedem Einsatz fest verschraubt ist, um zu verhindern, dass sich der Sitz im Falle eines Kippens oder Überschlags des Mähers bewegt.

1. Drücken Sie die Lenkstockhebel nach außen in die Position PARK BRAKE (FESTSTELLBREMSE), bevor Sie den Sitz einstellen.
2. Setzen Sie sich auf den Sitz und heben Sie den Hebel zur Sitzverstellung an.
3. Während Sie den Hebel festhalten, schieben Sie den Sitz in die gewünschte Position.
4. Lassen Sie den Hebel los und vergewissern Sie sich, dass der Sitz in seiner Position eingerastet ist, bevor Sie den Mäher bedienen.

▲ WARNUNG

Vergewissern Sie sich, dass der Sitz eingerastet ist, bevor Sie den Mäher bedienen. Ein nicht eingerasteter Sitz kann dazu führen, dass der Bediener die Kontrolle über den Mäher verliert, was zu schweren Verletzungen bis hin zum Tod führen kann.

4.1.2 EINSTELLEN DER SCHNITTHÖHE DES MÄHWERKS

Siehe Abbildung 12

Stellen Sie vor dem Einsatz des Mähers die Mähwerkshöhe auf die für Ihren Rasen am besten geeignete Position ein.

Die Mähwerkshöhe ist von 3.81-11.4 cm einstellbar. Das Mähwerk sollte während des Mähens angehoben werden, um Stümpfe, Felsen oder andere Hindernisse zu vermeiden, die das Mähwerk beschädigen könnten.

▲ VORSICHT

Halten Sie den Hebel zur Höhenverstellung des Mähwerks beim Einstellen der Mähwerkshöhe fest und lassen Sie ihn erst los, wenn er sicher in der gewünschten Position steht. Ein schnelles Loslassen des Hebels kann eine Quetsch- oder Reißgefahr für die Hand des Bedieners darstellen.

1. Halten Sie den Mäher an und stoppen Sie den Mähmotor.
2. Drehen Sie den Schlüssel in die Position AUS und ziehen Sie die Feststellbremse an.
3. Um das Mähwerk anzuheben, greifen Sie den Hebel zur Höhenverstellung des Mähwerks, drücken Sie ihn nach links, um ihn aus dem Schlitz zu lösen, bewegen Sie ihn in Richtung der Rückseite des Mähers und drücken Sie ihn dann nach rechts in den Schlitz, um ihn einzurasten.
4. Um das Mähwerk abzusenken, greifen Sie den Hebel zur Höhenverstellung des Mähwerks, drücken Sie ihn nach links, um ihn aus dem Schlitz zu lösen, bewegen Sie ihn in Richtung der Vorderseite des Mähers und drücken Sie ihn dann nach rechts in den Schlitz, um ihn einzurasten.

4.1.3 EINSTELLEN DES LENKSTOCKHEBELS

Die Lenkstockhebel lassen sich für besseren Komfort des Bedieners verstellen. Durch Lösen der Kopfschrauben, mit denen der obere Steuerhebel am unteren Hebel befestigt ist, kann der obere Steuerhebel so geschwenkt werden, dass er den persönlichen Vorlieben des Bedieners entspricht. Die Lenkstockhebel sollten so eingestellt werden, dass sie in der Neutralstellung zueinander fluchten.

4.1.4 AKKUPACK EINSETZEN

Siehe Abbildung 13

Um zu überprüfen, ob die Akkus des Mähers vollständig geladen sind, prüfen Sie die Ladestandsanzeige. Für weitere Informationen siehe das Handbuch des Akkus.

1. Heben Sie die Sitzplatte an.
2. Heben Sie die Abdeckung des Akkufachs an.
3. Setzen Sie den Akkupack in das Akkufach ein.

▲ WARNUNG

Richten Sie die Rippen des Akkus am Akkuanschluss aus. Vergewissern Sie sich, dass die Akkuverriegelung leicht in das Akkufach einrastet.

4.1.5 VOR DER INBETRIEBNAHME DER MASCHINE

- Stellen Sie sicher, dass sich weder Kinder, Unbeteiligte noch Tiere im Arbeitsbereich aufhalten.

- Räumen Sie den Arbeitsbereich von Gegenständen frei, die von den Mähklingen weggeschleudert werden könnten.
- Prüfen Sie die Funktion der Bremsen.
- Prüfen Sie den Reifendruck.
- Prüfen Sie auf lose Verschlüsse.
- Vergewissern Sie sich, dass alle Schutzabdeckungen angebracht sind und ordnungsgemäß funktionieren.
- Reinigen Sie den Mäher von Mähresten.
- Prüfen Sie das Sicherheitsverriegelungssystem.
- Stellen Sie den Sitz in die gewünschte Position.
- Überprüfen Sie den Ladezustand des Akkus.

4.1.6 SICHERHEITSTART-VERRIEGELUNGSSYSTEM

Die Maschine ist mit einem Sicherheitsstart-Verriegelungssystem versehen, das aus den Schaltern für die Feststellbremse, dem Bedienerpräsenzscharter und dem Ein- und Ausschalter für die Mähwerksklingen besteht.

Das Sicherheitsstart-Verriegelungssystem des Mähers soll den Bediener und andere Personen vor Verletzungen durch unbeabsichtigtes Anfahren des Fahranstriebs schützen.

Prüfen Sie das Sicherheitsstart-Verriegelungssystem des Mähers täglich vor dem Betrieb. Dieses System ist ein wichtiges Sicherheitsmerkmal des Mähers. Im Falle einer Störung sollte es umgehend repariert werden. Die Maschine verfügt über einen separaten Bedienerpräsenzscharter, der das Antriebssystem und die Mähwerkmotoren ausschaltet, wenn der Bediener aus irgendeinem Grund während des Betriebs des Mähers nicht präsent ist. Dies ist ein Sicherheitsmerkmal, das verhindern soll, dass die Maschine ohne Fahrer in Bewegung ist.

▲ WARNUNG

Das Sicherheitsverriegelungssystem darf nicht abgeschaltet oder umgangen werden. Andernfalls kann es zu einem unerwarteten Anlaufen der Maschine kommen, was zu Verletzungen führen kann.

Kontrolle des Systems:

1. Der Bediener muss beim Testen des Bedienerpräsenzscharters auf dem Sitz sitzen.
2. Drehen Sie den Schlüssel, um die Maschine zu starten.
3. Ziehen Sie die Lenkstockhebel in die Parkschlütze.
4. Ziehen Sie den PTO-Scharter nach oben, um den Motor einzuschalten.
5. Stehen Sie langsam vom Sitz auf. Das Mähwerksklingensystem sollte anhalten.
6. Wenn das Mähwerksklingensystem nicht anhält, wenn der Bediener nicht auf dem Sitz sitzt, und die Ursache nicht ermittelt werden kann, wenden Sie sich sofort an Ihren Cramer-Händler.

4.2 BETRIEBUNG DER MASCHINE

4.2.1 MASCHINE STARTEN

Siehe Abbildung 14

i HINWEIS

Schicken Sie Unbeteiligte vom Bereich, bevor Sie den Mäher bedienen. Wenn jemand den Mähbereich betritt, halten Sie sofort an und mähen erst weiter, wenn die Unbeteiligten den Bereich verlassen haben.

1. Heben Sie das Mähwerk in seine höchste Position.
2. Stecken Sie den Startschlüssel ein und drehen Sie ihn in die Position ON.
3. Ziehen Sie den rechten und linken Lenkstockhebel nach innen.
4. Ziehen Sie den PTO-Scharter für das Mähwerk nach oben, um die Mähklingen zum Mähen zu starten.

i HINWEIS

Schalten Sie die Klingen nur ein, wenn sich die Lenkstockhebel in der NEUTRALEN Position befinden! NIEMALS die Messer während der Fahrt einschalten!

5. Stellen Sie die Lenkstockhebel in die Vorwärtsposition (D) und fahren Sie zur gewünschten Mähstelle.

i HINWEIS

Seien Sie vorsichtig beim Überqueren von Schotterwegen oder Einfahrten. Schalten Sie vor der Überfahrt die Klingen aus und heben Sie das Mähwerk in die höchste Position an, um das Risiko des Abpralls zu minimieren. Fahren Sie langsam, um einen Traktions- und Kontrollverlust zu vermeiden.

i HINWEIS

Versuchen Sie nicht, die Fahrtrichtung zu ändern, während der Mäher in Bewegung ist. Halten Sie immer vollständig an, bevor Sie die Richtung des Mähers ändern.

i HINWEIS

Die Lenkstockhebel federn in die Neutralstellung zurück, wenn Sie sie loslassen, aber Sie müssen sie immer noch manuell bedienen, um die Neutralstellung einzunehmen.

4.2.2 ANTRIEB DER MASCHINE

Nach dem Starten des Fahrantriebs betätigen Sie die Lenkstockhebel und lenken Sie wie folgt:

▲ WARNUNG

Achten Sie vor dem Zurücksetzen immer darauf, was sich hinter der Maschine befindet. Mähen Sie nicht rückwärts, wenn es nicht unbedingt notwendig ist. Schauen Sie vor und während des Zurücksetzens immer nach unten und nach hinten.

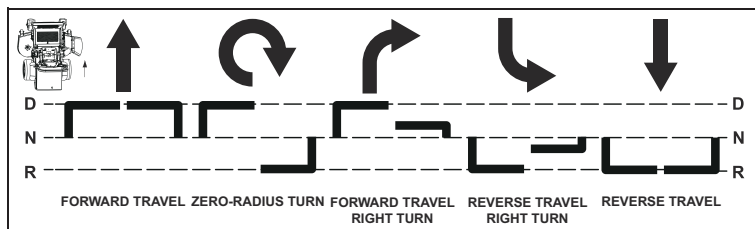
▲ WARNUNG

Es wird nicht empfohlen, die Lenkstockhebel schnell zu bewegen, da die Komponenten der elektrischen Anlage beschädigt werden können.

- **Um vorwärts zu fahren**, schieben Sie die Lenkstockhebel gleich weit nach vorne.
- **Um den Rückwärtsgang einzulegen**, ziehen Sie die Lenkstockhebel gleich weit nach hinten.
- **Um nach links abzubiegen**, bewegen Sie den rechten Lenkstockhebel weiter nach vorne aus der Neutralstellung als den linken Lenkstockhebel.
- **Um nach rechts abzubiegen**, bewegen Sie den linken Lenkstockhebel weiter nach vorne aus der Neutralstellung als den rechten Lenkstockhebel.
- **Um eine Kurve mit Nullradius auszuführen**, bewegen Sie einen Lenkstockhebel nach vorne und den anderen Lenkstockhebel nach hinten. Dadurch können sich die Antriebsräder gegenläufig drehen.
- **Um zu stoppen oder die Geschwindigkeit zu verringern**, stellen Sie die Lenkstockhebel in die Neutralstellung. Um vorwärts zu fahren, ziehen Sie die Lenkstockhebel leicht zurück. Um rückwärts zu fahren, drücken Sie die Lenkstockhebel leicht nach vorne.
- **Für einen Not-Halt** gibt es zwei mögliche Methoden:
 - Stellen Sie beim Vorwärts- oder Rückwärtsfahren die Lenkstockhebel sofort in die Feststellbremsstellung. Wenn Sie rückwärts fahren, drücken Sie die Lenkstockhebel leicht nach vorne und vermeiden Sie ruckartige Bewegungen. Jede plötzliche Bewegung kann dazu führen, dass die Vorderseite des Mähers vom Boden abhebt, was zum Verlust der Kontrolle über das Gerät und damit zu schweren Verletzungen oder zum Tod führen kann.
 - Drehen Sie den Startschlüssel in die Position AUS. Dadurch werden das Fahrtriebssystem und das Antriebssystem des Mähwerks abgeschaltet.
- **Für eine Dreipunktende nach rechts** bewegen Sie den linken Lenkstockhebel weiter nach vorne aus der Neutralstellung als den rechten Lenkstockhebel und beginnen Sie die Wende. Ziehen Sie dann die Lenkstockhebel zurück, bis sie sich nicht mehr in der Neutralstellung befinden und die Maschine beginnt, nach hinten zu fahren. Ziehen Sie den rechten Lenkstockhebel aus der Neutralstellung weiter nach hinten als den linken Lenkstockhebel, bis das Heck der Maschine umgeschwenkt ist. Schieben Sie dann die Lenkstockhebel nach vorne, bis sie sich beide in der Neutralstellung befinden und die Maschine anfängt, vorwärts zu fahren. Drücken Sie den linken Lenkstockhebel aus der Neutralstellung weiter nach vorne als den rechten Lenkstockhebel und beenden Sie die Kurve.
- **Um die Geschwindigkeit zu erhöhen**, vergrößern Sie den Abstand des Lenkstockhebels von der Neutralstellung. Je weiter die Lenkstockhebel von der Neutralstellung entfernt sind, desto schneller fährt die

Maschine vorwärts. Je weiter die Lenkstockhebel von der Neutralstellung entfernt sind, desto schneller fährt die Maschine im Rückwärtsgang.

MÄHERVORDERSEITE ZEIGT IN DIESER RICHTUNG



N= NEUTRALPOSITION

D= ANTRIEBSPOSITION

R= RÜCKWÄRTSPOSITION

Die Pfeile zeigen die Bewegungsrichtung des Mähers an



Linker Lenkstockhebel

Rechter Lenkstockhebel

4.2.3 MASCHINE ANHALTEN

▲ GEFAHR

Halten Sie niemals abrupt an oder kehren Sie die Fahrtrichtung um, vor allem nicht beim Manövrieren an einer Steigung. Die Lenkung spricht schnell an. Eine schnelle Bewegung der Lenkstockhebel in die eine oder andere Richtung kann zu einer Reaktion der Maschine führen, die schwere Verletzungen verursachen kann.

1. Bringen Sie die Lenkstockhebel in die Neutralstellung. Drücken Sie die Lenkstockhebel nach außen in die Feststellbremsstellung.
2. Drücken Sie den EIN-/AUS-Schalter (PTO) der Mähwerksklingen herunter, um die Klingen auszuschalten.
3. Drehen Sie den Schlüssel im Ein-/Aus-Schalter in die Position AUS.

▲ VORSICHT

Es wird empfohlen, den Startschlüssel aus der Maschine zu entfernen, um ein versehentliches Einschalten der Maschine zu verhindern.

4.2.4 DEN USB-ANSCHLUSS VERWENDEN

Siehe Abbildung 15

Der USB-Ladeanschluss bietet eine Ladeleistung von 5 Volt DC bei bis zu 2,1 Ampere für Ihr Handy, Ihren MP3-Player oder andere USB-Geräte. Informieren Sie sich im Benutzerhandbuch Ihres Geräts über die spezifischen Ladeanforderungen.

Schließen Sie ein Ende eines USB-Kabels (nicht mitgeliefert) an Ihr Gerät und das andere Ende an den USB-Ladeanschluss des Mähers an, um mit dem Laden Ihres Geräts zu beginnen.

i HINWEIS

Der Versuch, Geräte mit einer Stromstärke von mehr als 2,1 Ampere zu laden, kann den USB-Ladeanschluss und/oder den Mäher beschädigen.

i HINWEIS

Der USB-Anschluss wird nur mit Strom versorgt, wenn das Gerät startet.

▲ WARNUNG

Benutzen Sie niemals Kopfhörer oder andere elektronische Geräte wie Smartphones oder Tablets, während Sie den Mäher bedienen. Ablenkungen beim Fahren können zu einem Unfall führen, der schwere Verletzungen bis hin zum Tod des Fahrers oder eines Unbeteiligten zur Folge haben kann.

4.2.5 EMPFEHLUNGEN FÜR DEN BETRIEB

▲ GEFAHR

Vor dem Einsatz sollte der Bediener mit der ordnungsgemäßen Verwendung und Bedienung des Geräts gründlich vertraut sein, das Handbuch vollständig und gründlich lesen und langsame Fahrmanöver durchführen, um sich mit der Bedienung des Geräts vertraut zu machen, bevor er den Betrieb mit normaler Geschwindigkeit versucht. Ein unerfahrener Bediener sollte nicht an Steigungen oder auf unebenem Gelände mähen.

▲ WARNUNG

Wenn Sie während des Betriebs der Maschine die Lenkkontrolle verlieren, stellen Sie die Lenkstockhebel sofort in die Feststellbremsstellung und drehen Sie den Schlüssel in die Position AUS. Kontrollieren Sie die Maschine und wenden Sie sich an Ihren Cramer-Händler, um das Problem zu beheben, bevor Sie den Betrieb fortsetzen.

▲ WARNUNG

Die Lenkstockhebel des Geräts reagieren sehr schnell. Um einen reibungslosen Betrieb zu gewährleisten, bewegen Sie die Hebel langsam und vermeiden Sie ruckartige Bewegungen. Fähigkeiten und Leichtigkeit in der Bedienung kommen mit Übung und Erfahrung. Die Maschine kann sich sehr schnell drehen. Seien Sie beim Abbiegen vorsichtig und bremsen Sie vor scharfen Kurven.

Unerfahrene Bediener übersteuern leicht und können die Kontrolle verlieren. Um sich mit diesen Eigenschaften vertraut zu machen, empfiehlt es sich, langsame Übungsmanöver zu fahren, bevor der Betrieb mit normaler Geschwindigkeit aufgenommen wird.

▲ WARNUNG

Plötzliche Vertiefungen oder erhöhte Hindernisse (z. B. Abflüsse oder Bordsteine) sollten nicht direkt mit hoher Geschwindigkeit angefahren werden, um sie zu "überspringen", da der Bediener vom Gerät geschleudert werden könnte. Fahren Sie mit langsamer Geschwindigkeit heran und richten Sie ein Antriebsrad auf das Hindernis. Fahren Sie schräg weiter, bis das Rad frei ist, und schwenken Sie dann das gegenüberliegende Rad herum.

Beim Wenden auf weichem oder nassem Rasen sollten Sie beide Räder entweder vorwärts oder rückwärts rollen lassen. Das Schwenken auf einem angehaltenen Rad kann die Grasnarbe beschädigen. Halten Sie die Messer scharf. Viele Probleme mit falschen Schnittmustern sind auf stumpfe oder falsch geschliffene Messer zurückzuführen. Die Schärfe der Messer sollte täglich geprüft werden.

▲ GEFAHR

Arbeiten Sie niemals an den Klingen, wenn sich der Schlüssel im Zündschloss befindet. Bringen Sie den EIN-/AUS-Schalter (PTO) der Mähwerksklingen in die ausgekuppelte Position, stellen Sie die Lenkstockhebel in die Feststellbremsstellung und drehen Sie den Schlüssel in die Position AUS, um ihn abzuziehen. Blockieren Sie den Mäher, wenn Sie unter ihm arbeiten müssen. Tragen Sie beim Umgang mit den Messern Handschuhe. Prüfen Sie immer, ob das Messer beschädigt wurde, wenn der Mäher beim Mähen auf einen Stein, einen Ast oder einen anderen Fremdkörper trifft.

- **Leiten Sie den Grasauswurf nach rechts**, weg von der ungemähten Fläche. Wählen Sie ein Mähmuster, das den Grasauswurf außerhalb des Mähbereichs leitet. Allgemein bedeutet dies, dass ein Muster mit Linkskurven verwendet wird, da der Seitenauswurf nach rechts erfolgt. Der Grasauswurf sollte nie auf ungemähte Flächen erfolgen, da das Gras dann "doppelt" gemäht wird. Doppelt gemähtes Gras belastet das Gerät unnötig und verringert die Mäheffizienz.
- **Wenn Sie einen Rasen zum ersten Mal mähen**, schneiden Sie das Gras etwas länger als normal, um zu vermeiden, dass Sie in unebenes Gelände schneiden. Wenn möglich, ist es am besten, die gleiche Schnitthöhe zu verwenden wie in der Vergangenheit. Wenn Sie Gras schneiden, das höher als 152 mm (6") ist, sollten Sie den Rasen zweimal mähen, um eine bessere Schnittqualität zu erzielen.

- Schneiden Sie die Grashalme **beim normalen Mähen** auf nur etwa 38 mm (1,5") herunter. Es wird nur bei spärlich wachsendem Gras oder am Ende der Mähseason empfohlen, mehr zu mähen.
- **Wechseln Sie das Mähmuster zwischen den Schnitten ab**, damit das Gras gerade wächst und das Schnittgut besser verteilt wird.
- **Denken Sie daran, dass Gras** zu verschiedenen Zeiten des Jahres unterschiedlich schnell wächst. Mähen Sie Anfang Frühjahr häufiger, um die gleiche Schnitthöhe beizubehalten. Da sich das Wachstum im Hochsommer verlangsamt, sollte weniger häufig gemäht werden. Wenn Sie nicht in regelmäßigen Abständen mähen können, mähen Sie zunächst mit einer hohen Schnitthöhe und dann zwei Tage später mit einer niedrigeren Schnitthöhe.
- **Erhöhen Sie die Schnitthöhe des Mähers**, wenn die Schnittbreite des Mähers größer ist als die des vorherigen Mähers. Dies stellt sicher, dass unebene Rasenflächen nicht zu kurz geschnitten werden.
- **Erhöhen Sie die Schnitthöhe des Mähers**, wenn das Gras etwas höher als normal ist oder wenn es einen hohen Feuchtigkeitsgehalt aufweist. Mähen Sie dann erneut mit einer niedrigeren Schnitthöhe.
- **Wenn die Vorwärtsbewegung der Maschine während des Mähens gestoppt werden muss**, kann ein Klumpen Grasschnitt auf Ihren Rasen fallen. Um dies zu vermeiden, fahren Sie mit eingekuppelten Messern auf eine bereits geschnittene Fläche.
- **Laden Sie den Akku sofort auf**, wenn die Akkuleistung des Geräts unter 5% fällt.

Modell-Nr.	Batteriekapazität	Maßnahme	Batteriekapazität	Maßnahme
82ZT107	≤5%	Die maximale Fahrgeschwindigkeit beträgt 6.4 km/h.	≤5%	Das Arbeitsmesser wird automatisch angehalten. Das Gerät sollte sofort in den Batterieladebereich zurückgebracht und an das Batterieladegerät angeschlossen werden.

- **Lassen Sie die Motoren 30 Minuten abkühlen.** Wenn der Antriebsmotor die programmierte Temperatur überschreitet, wird die Motordrehzahl verringert. Wenn die Temperatur weiter ansteigt, wird der Antrieb bei einer höheren programmierten Temperatur abgeschaltet.

4.2.6 HANGBETRIEB

Siehe Abbildung 16

Hänge sind ein wesentlicher Faktor für Kontrollverlust und Kippunfälle, die zu schweren oder sogar tödlichen Verletzungen führen können. Der Betrieb an Hängen erfordert immer äußerste Vorsicht. Wenn Sie den Hang nicht rückwärts befahren können oder sich auf ihm unwohl oder unsicher fühlen, mähen Sie ihn nicht.

- Fahren Sie an Hängen in der vom Hersteller empfohlenen Richtung. Seien Sie vorsichtig, wenn Sie in der Nähe von Steilhängen arbeiten.
- Betreiben Sie die Maschine nicht unter Bedingungen, bei denen Traktion, Lenkung oder Stabilität in Frage gestellt sind. Die Reifen können rutschen, auch wenn die Räder angehalten haben.
- Lassen Sie die Maschine immer im Gang, wenn Sie Hänge hinunterfahren. Lassen Sie die Maschine nicht bergab rollen.
- Seien Sie beim Arbeiten an Steigungen äußerst vorsichtig.
- Entfernen oder verändern Sie die Räder nicht.
- Achten Sie auf Löcher, Spurrillen, Unebenheiten, Felsen oder andere versteckte Objekte. Unebenes Gelände kann die Maschine zum Umkippen bringen. Hohes Gras kann Hindernisse verbergen.
- Entfernen Sie Hindernisse wie Steine, Baumstämme, Müll usw.
- Führen Sie alle Bewegungen an Hängen langsam und ruhig aus. Ändern Sie nicht plötzlich die Geschwindigkeit oder Richtung.
- Vermeiden Sie das Anfahren und Anhalten an einer Steigung. Wenn Reifen an Bodenhaftung verlieren, kuppeln Sie die Messer aus und fahren langsam geradeaus eine Steigung hinunter.
- Mähen Sie in einem sicheren Abstand (mindestens 3 m ((10 ft)) von Abhängen, Stützmauern, Entwässerungsgräben, Böschungen, Wasser und anderen Gefahrenquellen, um zu vermeiden, dass ein Rad über die Kante fällt oder der Boden wegbricht. Dies verringert die Gefahr, dass die Maschine plötzlich umkippt, was zu schweren Verletzungen oder zum Tod führen kann.

- Verwenden Sie an Steigungen und in der Nähe von Abhängen, Stützmauern, Entwässerungsgräben, Böschungen und Gewässern einen handgeführten Mäher, einen Schubmäher oder einen handgeführten Trimmer.
- Nicht auf nassem Gras mähen. Eine verringerte Griffigkeit kann zum Rutschen und zum Verlust der Lenkkontrolle führen.
- Nicht an Steigungen abschleppen. Das Gewicht der gezogenen Ausrüstung kann zu einem Verlust des Griffs und der Kontrolle führen.
- Wenn die Reifen des Mähers beim Betrieb an Steigungen die Bodenhaftung verlieren, kuppeln Sie den Antrieb des Mähwerks aus, stellen Sie die Lenkstockhebel in die Feststellbremsstellung, drehen Sie den Startschlüssel in die Position AUS, entfernen Sie den Schlüssel und holen Sie Hilfe.
- Führen Sie niemals plötzliche Starts, Stopps, Wendemanöver oder Richtungswechsel durch, insbesondere nicht beim Manövrieren an Steigungen. Die Lenkung spricht schnell an. Eine schnelle Bewegung der Lenkstockhebel in die eine oder andere Richtung kann zu einer Reaktion der Maschine führen, die schwere Verletzungen verursachen kann.
- Halten Sie beim Zurücksetzen an Steigungen niemals plötzlich an. Diese Aktion kann zu einer Reaktion der Maschine führen, die schwere Körperverletzungen verursachen kann.
- Der Cramer Zero Turn kann an mäßig steilen Steigungen waagrecht arbeiten (Traverse). Achten Sie beim Betrieb an Steigungen mit einer Neigung von bis zu 15 Grad auf alle Bedingungen, die dazu führen können, dass die Antriebsreifen des Mähers die Bodenhaftung verlieren, was zu einem möglichen Verlust der Kontrolle über die Maschine führen kann. Ein Bediener sollte erst dann an einer Steigung arbeiten, wenn er mit dem Gerät gründlich vertraut ist.

Arbeiten Sie nicht an Steigungen mit einer Neigung von mehr als 15 Grad.

Zur Bestimmung der zu mähenden Steigung, siehe Anleitung zu Steigungen. Es wird dringend empfohlen, dass der Bediener die Maschine mit äußerster Vorsicht von der Steigung herunterfährt, wenn er Anzeichen für einen Griffverlust. Warten Sie, bis der Zustand, der das Problem verursacht hat, behoben ist, bevor Sie versuchen, erneut an der Steigung zu arbeiten. Die Bodenbeschaffenheit kann den Griff beeinträchtigen, was zum Verlust der Kontrolle über die Maschine führen kann. Einige der Bedingungen, die zu beachten sind:

1. Nasses Gelände
2. Vertiefungen im Boden (z. B. Löcher, Spurrillen, Auswaschungen)
3. Erdhügel
4. Bestimmte Bodentypen (z. B. Sand, lockere Erde, Kies, Ton)
5. Grasart, -dichte und -höhe
6. Extrem trockene Bedingungen
7. Reifendruck

Auch die am Mäher montierten Anbaugeräte beeinflussen das Fahrverhalten an der Steigung. Denken Sie daran, dass unterschiedliche Anbaugeräte unterschiedliche Merkmale aufweisen.

Dies sind nur einige Beispiele für Situationen, in denen im Betrieb an einer Steigung Vorsicht geboten ist. Es gibt viele andere Möglichkeiten, um sie alle zu nennen. Denken Sie daran, dass Sie im Betrieb an einer Steigung immer äußerst vorsichtig vorgehen müssen.

5 ELEKTRISCHES SYSTEM

5.1 SICHERHEIT DER ELEKTRISCHEN ANLAGE

- Ziehen Sie den Schlüssel und die Akkus ab und lesen Sie das Benutzerhandbuch, bevor Sie das Gerät einstellen oder reparieren.
- Entfernen Sie immer den Schlüssel und die Akkus, bevor Sie an diesem Gerät arbeiten.
- Trennen Sie immer den Schlüssel und die Akkus, bevor Sie das Gerät transportieren.
- Halten Sie das Gerät frei von Grasschnitt, Blättern und anderen Verunreinigungen. Reinigen Sie das Gerät NICHT mit Wasser. Verwenden Sie nur

Druckluft. Tragen Sie beim Reinigen des Geräts einen angemessenen Augen- und Gehörschutz.

- Tragen Sie in der Nähe der Batterie immer eine Schutzbrille und Schutzkleidung. Verwenden Sie isolierte Werkzeuge.
- Reinigen Sie das Batteriefach, das Antriebsmotorfach, das Mähwerk, den Sitz usw. von Schmutz und Ablagerungen. Verwenden Sie keine Lösungsmittel, harten Reinigungsmittel oder Scheuermittel.
- Wenn der Schlüssel in der Position EIN ist, kann die Mähklinge einrasten, wenn der EIN-/AUS-Schalter (PTO) der Mähwerksklängen aktiviert ist, auch wenn sich der Antriebsmotor nicht dreht. Halten Sie den Bereich frei von Unbeteiligten, wenn Sie den Schalter Mähwerksklängen EIN/AUS betätigen.

- Alle Wartungs- und Lagerbereiche sollten den geltenden Brandschutzvorschriften und -verordnungen entsprechend gut belüftet sein, um Brandgefahren zu vermeiden.
- Lassen Sie niemals Flammen, Funken oder Rauchen in der Nähe der Batterien zu.
- Bewahren Sie Batterien außerhalb der Reichweite von Kindern auf.
- Halten Sie Schutzschilder, Abdeckungen und Schutzabdeckungen immer in Position und sicher befestigt. Wenn sie beschädigt werden, reparieren oder ersetzen Sie sie sofort. Verändern oder entfernen Sie niemals Sicherheitseinrichtungen.

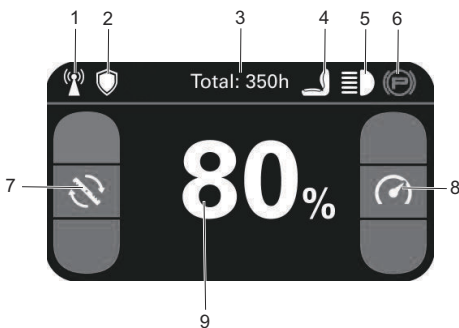
5.2 INFORMATIONEN ZUM ELEKTRISCHEN SYSTEM

Der Cramer Zero Turn wird von einem 82-Volt-Elektrosystem angetrieben. Es besteht aus den folgenden Komponenten:

1. Klängenregler (1)
2. Klängenmotor (2)
3. Antriebsregler (1)
4. Beschleuniger - rechts (1)
5. Beschleuniger - links (1)
6. Digitale Anzeige (1)
7. Radmotor (2)
8. Akkupack (1)

5.3 DIGITALE ANZEIGE

Die Funktion der Digitalanzeige auf dem Bedienfeld besteht darin, dem Bediener Informationen über das elektrische System zu liefern. Es liefert detaillierte Informationen in Form von Mustern, Codes und Nummern.



#	Name	Funktion
1		4G GPS-Signal
2		GreenShield
3	Gesamt : 350h	Arbeitszeit Fahrzeug
4		Der Sitzschalter ist geschlossen.
5		LED-Leuchten
6		Die Feststellbremse ist aktiv.
7		Messerdrehzahl
8		Fahrgeschwindigkeit
9	80%	Akkuladestand

6 FEHLER

Das CANBUS-System ergreift Maßnahmen zum Schutz des Benutzers und der Maschine, wenn es ein Problem erkennt. Wenn es das Gerät oder eine Komponente ausschaltet, weist es darauf hin, dass ein Fehler aufgetreten ist, und dieser Fehler wird auf dem digitalen Display angezeigt. Alle elektrischen Fehler haben einen Buchstabencode, gefolgt von einer Nummer. Der erste Buchstabe beschreibt das System, das den Fehler verursacht hat, gemäß dieser Tabelle:

Name	Bedeutung
TR	Rechter Antriebsregler und Motor
TL	Linker Antriebsregler und Motor
PMU	Energieverwaltungseinheit (im Akkufach)
ML	Linke Klängenmotorsteuerung
MR	Rechte Klängenmotorsteuerung

6.1 FEHLERCODE

Fehlercode	Beschreibung	Lösung
TR1	Fehler bei der Motorpositionierung	Schalten Sie die Stromversorgung wieder ein.
TR2	Antriebsmotor blockiert	Prüfen Sie, ob die Antriebsräder festsitzen und schalten Sie die Stromversorgung wieder ein.
TR3	Schutz vor niedrigen Motordrehzahlen	Schalten Sie die Stromversorgung wieder ein.
TR4	Schutz vor hohen Motordrehzahlen	Schalten Sie die Stromversorgung wieder ein.
TR5	Fehler am Hall-Sensor des Motors	Stellen Sie sicher, dass der Hall-Effekt-Stecker des Antriebsreglers richtig angeschlossen ist, und schalten Sie dann die Stromversorgung wieder ein.
TR6	Regler Phasenverlust	Prüfen Sie, ob die Motorkabel des Antriebsreglers richtig angeschlossen sind, und schalten Sie die Stromversorgung wieder ein.
TR7	MOSFET Fehler offener Stromkreis	Wenn dieses Problem auftritt, wenden Sie sich an Ihren Händler, um eine Lösung zu finden.
TR8	Regler Unterspannung	Die Spannung ist zu niedrig. Laden Sie den Akkupack vor Gebrauch auf.
TR9	Regler Überspannung	Die Spannung ist zu hoch. Schalten Sie die Stromversorgung wieder ein.
TR10	Niedrige Akkutemperatur	Die Temperatur des Akkufachs und des Akkus ist zu niedrig. Verwenden Sie das Gerät bei einer geeigneten Temperatur und schalten Sie die Stromversorgung wieder ein.
TR11	Übertemperatur der PMU Hohe Akkutemperatur	Die Temperatur des Akkufachs und des Akkus ist zu hoch. Warten Sie, bis der Akku abgekühlt ist, und starten Sie dann die Stromversorgung wieder ein.
TR12	Motor Übertemperatur	Die Motortemperatur ist zu hoch. Warten Sie, bis der Motor abgekühlt ist, und starten Sie dann die Stromversorgung wieder ein.
TR13	Regler Übertemperatur	Die Reglertemperatur ist zu hoch. Warten Sie, bis der Regler abgekühlt ist, und starten Sie dann die Stromversorgung wieder ein.
TR14	Software Überstrom	Die Belastung ist zu hoch. Schalten Sie die Stromversorgung wieder ein.
TR15	Hardware Überstrom	Die Belastung ist zu hoch. Schalten Sie die Stromversorgung wieder ein.
TR16	Fehler Geschwindigkeitsregler	Prüfen Sie, ob der Griff des Geschwindigkeitsreglers richtig montiert ist, und schalten Sie die Stromversorgung wieder ein.
TR17	Fehler beim Vorladen des Reglers	Schalten Sie die Stromversorgung wieder ein.
TR18	Bremsenfehler	Schalten Sie die Stromversorgung wieder ein.
TR19	Fehler im Betriebsablauf	Stellen Sie den linken und rechten Griff in die Parkposition und den Klingenstartschalter in die Position AUS. Setzen Sie sich auf den Sitz und versuchen Sie es erneut.
TR20	Fehler Winkelsensor	Schalten Sie die Stromversorgung wieder ein.
TR21	Fehler Relais	Schalten Sie die Stromversorgung wieder ein.

Fehlercode	Beschreibung	Lösung
TR22	Fehler Magnetventil	Prüfen Sie, ob das Magnetventil des Antriebsmotors richtig angeschlossen ist, und schalten Sie die Stromversorgung wieder ein.
TR23	Kommunikationsfehler Akkufach (PMU)	Kommunikationsfehler mit dem Akkufach. Schalten Sie die Stromversorgung wieder ein.
TR24	Fehler Akkufach (PMU)	Unwesentlicher/kritischer Fehler im Akkufach. Führen Sie eine Überprüfung durch und starten Sie die Stromversorgung wieder ein.
TR25	CAN-Timeout Fehler – linker Antrieb	Fehler bei Kommunikation mit dem linken Antriebsregler. Schalten Sie die Stromversorgung wieder ein.
TR26	CAN-Timeout Fehler – rechter Antrieb	Fehler bei Kommunikation mit dem rechten Antriebsregler. Schalten Sie die Stromversorgung wieder ein.
TR27	CAN-Timeout Fehler – linke Klinge	Fehler bei Kommunikation mit der linken Klingensteuerung. Schalten Sie die Stromversorgung wieder ein.
TR28	CAN-Timeout Fehler – mittlere Klinge	Fehler bei Kommunikation mit der mittleren Klingensteuerung. Schalten Sie die Stromversorgung wieder ein.
TR29	CAN-Timeout Fehler – rechte Klinge	Fehler bei Kommunikation mit der rechten Klingensteuerung. Schalten Sie die Stromversorgung wieder ein.
TR30	Fehler Klappdeckel Akkufach	Prüfen Sie, ob der Stecker unter dem Sitz richtig angeschlossen ist, und schalten Sie die Stromversorgung wieder ein.
TR31	Fehler bei der Verifizierung des Bedienerpräsenzschalters	Prüfen Sie, ob der Stecker unter dem Sitz richtig angeschlossen ist, und schalten Sie die Stromversorgung wieder ein.
TR32	Software-Authentifizierungsfehler	Schalten Sie die Stromversorgung wieder ein.
TL1	Fehler bei der Motorpositionierung	Schalten Sie die Stromversorgung wieder ein.
TL2	Antriebsmotor blockiert	Prüfen Sie, ob die Antriebsräder festsitzen und schalten Sie die Stromversorgung wieder ein.
TL3	Schutz vor niedrigen Motordrehzahlen	Schalten Sie die Stromversorgung wieder ein.
TL4	Schutz vor hohen Motordrehzahlen	Schalten Sie die Stromversorgung wieder ein.
TL5	Fehler am Hall-Sensor des Motors	Stellen Sie sicher, dass der Hall-Effekt-Stecker des Antriebsreglers richtig angeschlossen ist, und schalten Sie dann die Stromversorgung wieder ein.
TL6	Regler Phasenverlust	Prüfen Sie, ob die Motorkabel des Antriebsreglers richtig angeschlossen sind, und schalten Sie die Stromversorgung wieder ein.
TL7	MOSFET Fehler offener Stromkreis	Wenn dieses Problem auftritt, wenden Sie sich an Ihren Händler, um eine Lösung zu finden.
TL8	Regler Unterspannung	Die Spannung ist zu niedrig. Laden Sie den Akkupack vor Gebrauch auf.
TL9	Regler Überspannung	Die Spannung ist zu hoch. Schalten Sie die Stromversorgung wieder ein.
TL10	Niedrige Akkutemperatur	Die Temperatur des Akkufachs und des Akkus ist zu niedrig. Verwenden Sie das Gerät bei einer geeigneten Temperatur und schalten Sie die Stromversorgung wieder ein.

Fehlercode	Beschreibung	Lösung
TL11	Übertemperatur der PMU Hohe Akkutemperatur	Die Temperatur des Akkufachs und des Akkus ist zu hoch. Warten Sie, bis der Akku abgekühlt ist, und starten Sie dann die Stromversorgung wieder ein.
TL12	Motor Übertemperatur	Die Motortemperatur ist zu hoch. Warten Sie, bis der Motor abgekühlt ist, und starten Sie dann die Stromversorgung wieder ein.
TL13	Regler Übertemperatur	Die Reglertemperatur ist zu hoch. Warten Sie, bis der Regler abgekühlt ist, und starten Sie dann die Stromversorgung wieder ein.
TL14	Software Überstrom	Die Belastung ist zu hoch. Schalten Sie die Stromversorgung wieder ein.
TL15	Hardware Überstrom	Die Belastung ist zu hoch. Schalten Sie die Stromversorgung wieder ein.
TL16	Fehler Geschwindigkeitsregler	Prüfen Sie, ob der Griff des Geschwindigkeitsreglers richtig montiert ist, und schalten Sie die Stromversorgung wieder ein.
TL17	Fehler beim Vorladen des Reglers	Schalten Sie die Stromversorgung wieder ein.
TL18	Bremsenfehler	Schalten Sie die Stromversorgung wieder ein.
TL19	Fehler im Betriebsablauf	Stellen Sie den linken und rechten Griff in die Parkposition und den Klängenstartschalter in die Position AUS. Setzen Sie sich auf den Sitz und versuchen Sie es erneut.
TL20	Fehler Winkelsensor	Schalten Sie die Stromversorgung wieder ein.
TL21	Fehler Relais	Schalten Sie die Stromversorgung wieder ein.
TL22	Fehler Magnetventil	Prüfen Sie, ob das Magnetventil des Antriebsmotors richtig angeschlossen ist, und schalten Sie die Stromversorgung wieder ein.
TL23	Kommunikationsfehler Akkufach (PMU)	Kommunikationsfehler mit dem Akkufach. Schalten Sie die Stromversorgung wieder ein.
TL24	Fehler Akkufach (PMU)	Unwesentlicher/kritischer Fehler im Akkufach. Führen Sie eine Überprüfung durch und starten Sie die Stromversorgung wieder ein.
TL25	CAN-Timeout Fehler – linker Antrieb	Fehler bei Kommunikation mit dem linken Antriebsregler. Schalten Sie die Stromversorgung wieder ein.
TL26	CAN-Timeout Fehler – rechter Antrieb	Fehler bei Kommunikation mit dem rechten Antriebsregler. Schalten Sie die Stromversorgung wieder ein.
TL27	CAN-Timeout Fehler – linke Klinge	Fehler bei Kommunikation mit der linken Klängensteuerung. Schalten Sie die Stromversorgung wieder ein.
TL28	CAN-Timeout Fehler – mittlere Klinge	Fehler bei Kommunikation mit der mittleren Klängensteuerung. Schalten Sie die Stromversorgung wieder ein.
TL29	CAN-Timeout Fehler – rechte Klinge	Fehler bei Kommunikation mit der rechten Klängensteuerung. Schalten Sie die Stromversorgung wieder ein.
TL30	Fehler Klappdeckel Akkufach	Prüfen Sie, ob der Stecker unter dem Sitz richtig angeschlossen ist, und schalten Sie die Stromversorgung wieder ein.
TL31	Fehler bei der Verifizierung des Sitzschalters	Prüfen Sie, ob der Stecker unter dem Sitz richtig angeschlossen ist, und schalten Sie die Stromversorgung wieder ein.
TL32	Software-Authentifizierungsfehler	Schalten Sie die Stromversorgung wieder ein.

Fehlercode	Beschreibung	Lösung
ML1	Fehler bei der Motorpositionierung	Schalten Sie die Stromversorgung wieder ein.
ML2	Klingenmotor blockiert	Prüfen Sie die Mählast und versetzen Sie den Klingenstartschalter wieder in die Ausgangsposition.
ML3	Schutz vor niedrigen Motordrehzahlen	Schalten Sie die Stromversorgung wieder ein.
ML4	Schutz vor hohen Motordrehzahlen	Schalten Sie die Stromversorgung wieder ein.
ML5	Fehler am Hall-Sensor des Motors	Stellen Sie sicher, dass der Hall-Effekt-Stecker der Klingensteuerung richtig angeschlossen ist, und schalten Sie dann die Stromversorgung wieder ein.
ML6	Regler Phasenverlust	Prüfen Sie, ob die Motorkabel des Antriebsreglers richtig angeschlossen sind, und schalten Sie die Stromversorgung wieder ein.
ML7	MOSFET Fehler offener Stromkreis	Wenn dieses Problem auftritt, wenden Sie sich an Ihren Händler, um eine Lösung zu finden.
ML8	Regler Unterspannung	Die Spannung ist zu niedrig. Laden Sie den Akkupack vor Gebrauch auf.
ML9	Regler Überspannung	Die Spannung ist zu hoch. Schalten Sie die Stromversorgung wieder ein.
ML10	Niedrige Akkutemperatur	Die Temperatur des Akkufachs und des Akkus ist zu niedrig. Verwenden Sie das Gerät bei einer geeigneten Temperatur und schalten Sie die Stromversorgung wieder ein.
ML11	Übertemperatur der PMU Hohe Akkutemperatur	Die Temperatur des Akkufachs und des Akkus ist zu hoch. Warten Sie, bis der Akku abgekühlt ist, und starten Sie dann die Stromversorgung wieder ein.
ML12	Motor Übertemperatur	Die Motortemperatur ist zu hoch. Warten Sie, bis der Motor abgekühlt ist, und starten Sie dann die Stromversorgung wieder ein.
ML13	Regler Übertemperatur	Die Reglertemperatur ist zu hoch. Warten Sie, bis der Regler abgekühlt ist, und starten Sie dann die Stromversorgung wieder ein.
ML14	Software Überstrom	Die Belastung ist zu hoch. Schalten Sie die Stromversorgung wieder ein.
ML15	Hardware Überstrom	Die Belastung ist zu hoch. Schalten Sie die Stromversorgung wieder ein.
ML16	Fehler Geschwindigkeitsregler	Prüfen Sie, ob der Griff des Geschwindigkeitsreglers richtig montiert ist, und schalten Sie die Stromversorgung wieder ein.
ML17	Fehler beim Vorladen des Reglers	Schalten Sie die Stromversorgung wieder ein.
ML18	Bremsenfehler	Schalten Sie die Stromversorgung wieder ein.
ML19	Fehler im Betriebsablauf	Stellen Sie den linken und rechten Griff in die Parkposition und den Klingenstartschalter in die Position AUS. Setzen Sie sich auf den Sitz und versuchen Sie es erneut.
ML20	Fehler Winkelsensor	Schalten Sie die Stromversorgung wieder ein.
ML21	Fehler Relais	Schalten Sie die Stromversorgung wieder ein.
ML22	Fehler Magnetventil	Prüfen Sie, ob das Magnetventil des Motors richtig angeschlossen ist, und schalten Sie die Stromversorgung wieder ein.

Fehlercode	Beschreibung	Lösung
ML23	Kommunikationsfehler Akkufach (PMU)	Kommunikationsfehler mit dem Akkufach. Schalten Sie die Stromversorgung wieder ein.
ML24	Fehler Akkufach (PMU)	Unwesentlicher/kritischer Fehler im Akkufach. Führen Sie eine Überprüfung durch und starten Sie die Stromversorgung wieder ein.
ML25	CAN-Timeout Fehler – linker Antrieb	Fehler bei Kommunikation mit dem linken Antriebsregler. Schalten Sie die Stromversorgung wieder ein.
ML26	CAN-Timeout Fehler – rechter Antrieb	Fehler bei Kommunikation mit dem rechten Antriebsregler. Schalten Sie die Stromversorgung wieder ein.
ML27	CAN-Timeout Fehler – linke Klinge	Fehler bei Kommunikation mit der linken Klingensteuerung. Schalten Sie die Stromversorgung wieder ein.
ML28	CAN-Timeout Fehler – mittlere Klinge	Fehler bei Kommunikation mit der mittleren Klingensteuerung. Schalten Sie die Stromversorgung wieder ein.
ML29	CAN-Timeout Fehler – rechte Klinge	Fehler bei Kommunikation mit der rechten Klingensteuerung. Schalten Sie die Stromversorgung wieder ein.
ML30	Fehler Klappdeckel Akkufach	Prüfen Sie, ob der Stecker unter dem Sitz richtig angeschlossen ist, und schalten Sie die Stromversorgung wieder ein.
ML31	Klingensignal konnte nicht verifiziert werden	Vergewissern Sie sich, dass der Klingenstartschalter richtig angeschlossen ist, und bringen Sie den Schalter wieder in seine Ausgangsposition.
ML32	Software-Authentifizierungsfehler	Schalten Sie die Stromversorgung wieder ein.
MR1	Fehler bei der Motorpositionierung	Schalten Sie die Stromversorgung wieder ein.
MR2	Klingenmotor blockiert	Prüfen Sie die Mählast und versetzen Sie den Klingenstartschalter wieder in die Ausgangsposition.
MR3	Schutz vor niedrigen Motordrehzahlen	Schalten Sie die Stromversorgung wieder ein.
MR4	Schutz vor hohen Motordrehzahlen	Schalten Sie die Stromversorgung wieder ein.
MR5	Fehler am Hall-Sensor des Motors	Stellen Sie sicher, dass der Hall-Effekt-Stecker der Klingensteuerung richtig angeschlossen ist, und schalten Sie dann die Stromversorgung wieder ein.
MR6	Regler Phasenverlust	Prüfen Sie, ob die Motorkabel des Antriebsreglers richtig angeschlossen sind, und schalten Sie die Stromversorgung wieder ein.
MR7	MOSFET Fehler offener Stromkreis	Wenn dieses Problem auftritt, wenden Sie sich an Ihren Händler, um eine Lösung zu finden.
MR8	Regler Unterspannung	Die Spannung ist zu niedrig. Laden Sie den Akkupack vor Gebrauch auf.
MR9	Regler Überspannung	Die Spannung ist zu hoch. Schalten Sie die Stromversorgung wieder ein.
MR10	Niedrige Akkutemperatur	Die Temperatur des Akkufachs und des Akkus ist zu niedrig. Verwenden Sie das Gerät bei einer geeigneten Temperatur und schalten Sie die Stromversorgung wieder ein.
MR11	Übertemperatur der PMU Hohe Akkutemperatur	Die Temperatur des Akkufachs und des Akkus ist zu hoch. Warten Sie, bis der Akku abgekühlt ist, und starten Sie dann die Stromversorgung wieder ein.

Fehlercode	Beschreibung	Lösung
MR12	Motor Übertemperatur	Die Motortemperatur ist zu hoch. Warten Sie, bis der Motor abgekühlt ist, und starten Sie dann die Stromversorgung wieder ein.
MR13	Regler Übertemperatur	Die Reglertemperatur ist zu hoch. Warten Sie, bis der Regler abgekühlt ist, und starten Sie dann die Stromversorgung wieder ein.
MR14	Software Überstrom	Die Belastung ist zu hoch. Schalten Sie die Stromversorgung wieder ein.
MR15	Hardware Überstrom	Die Belastung ist zu hoch. Schalten Sie die Stromversorgung wieder ein.
MR16	Fehler Geschwindigkeitsregler	Prüfen Sie, ob der Griff des Geschwindigkeitsreglers richtig montiert ist, und schalten Sie die Stromversorgung wieder ein.
MR17	Fehler beim Vorladen des Reglers	Schalten Sie die Stromversorgung wieder ein.
MR18	Bremsenfehler	Schalten Sie die Stromversorgung wieder ein.
MR19	Fehler im Betriebsablauf	Stellen Sie den linken und rechten Griff in die Parkposition und den Klingenstartschalter in die Position AUS. Setzen Sie sich auf den Sitz und versuchen Sie es erneut.
MR20	Fehler Winkelsensor	Schalten Sie die Stromversorgung wieder ein.
MR21	Fehler Relais	Schalten Sie die Stromversorgung wieder ein.
MR22	Fehler Magnetventil	Prüfen Sie, ob das Magnetventil des Motors richtig angeschlossen ist, und schalten Sie die Stromversorgung wieder ein.
MR23	Kommunikationsfehler Akkufach (PMU)	Kommunikationsfehler mit dem Akkufach. Schalten Sie die Stromversorgung wieder ein.
MR24	Fehler Akkufach (PMU)	Unwesentlicher/kritischer Fehler im Akkufach. Führen Sie eine Überprüfung durch und starten Sie die Stromversorgung wieder ein.
MR25	CAN-Timeout Fehler – linker Antrieb	Fehler bei Kommunikation mit dem linken Antriebsregler. Schalten Sie die Stromversorgung wieder ein.
MR26	CAN-Timeout Fehler – rechter Antrieb	Fehler bei Kommunikation mit dem rechten Antriebsregler. Schalten Sie die Stromversorgung wieder ein.
MR27	CAN-Timeout Fehler – linke Klinge	Fehler bei Kommunikation mit der linken Klingensteuerung. Schalten Sie die Stromversorgung wieder ein.
MR28	CAN-Timeout Fehler – mittlere Klinge	Fehler bei Kommunikation mit der mittleren Klingensteuerung. Schalten Sie die Stromversorgung wieder ein.
MR29	CAN-Timeout Fehler – rechte Klinge	Fehler bei Kommunikation mit der rechten Klingensteuerung. Schalten Sie die Stromversorgung wieder ein.
MR30	Fehler Klappdeckel Akkufach	Prüfen Sie, ob der Stecker unter dem Sitz richtig angeschlossen ist, und schalten Sie die Stromversorgung wieder ein.
MR31	Klingensignal konnte nicht verifiziert werden	Vergewissern Sie sich, dass der Klingenstartschalter richtig angeschlossen ist, und bringen Sie den Schalter wieder in seine Ausgangsposition.
MR32	Software-Authentifizierungsfehler	Schalten Sie die Stromversorgung wieder ein.
PMU10	Offener Stromkreis im Akkupack der PMU	Nicht angeschlossener Akkupack im Akkufach; die Leistung der Maschine kann beeinträchtigt werden.

Fehlercode	Beschreibung	Lösung
PMU11	PMU, unwesentlicher Fehler	Ein unwesentlicher Fehler im Akkufach hat den Start des Klingensystems verhindert. Warten Sie, bis sich das System erholt hat, und setzen Sie dann den Klinsenstartschalter zurück.
PMU12	PMU, kritischer Fehler	Ein kritischer Fehler im Akkufach hat den Start der Antriebs- und Klingensysteme verhindert. Schalten Sie die Stromversorgung wieder ein und versuchen Sie es erneut.
PMU13	PMU, kein Akkupack verfügbar	Überprüfen Sie, dass Sie den richtigen Akkupack verwenden, und schalten Sie die Stromversorgung wieder ein.

7 WARTUNG UND INSTANDHALTUNG

7.1 WARTUNG DER MÄHKLINGEN

Prüfen Sie die Mähklingen täglich. Sie sind der Schlüssel zu effizienter Leistung und gepflegtem Rasen. Halten Sie sie scharf - ein stumpfes Messer zerreit das Gras eher, als es zu schneiden. Es hinterlsst innerhalb weniger Stunden eine braune, zerlumpte Oberflche auf dem Gras. Ein stumpfes Messer erfordert auch mehr Kraft. Ersetzen Sie verbogene, gerissene oder gebrochene Messer immer.

▲ WARNUNG

Versuchen Sie niemals, ein verbogenes Messer durch Erhitzen zu gltten oder ein gerissenes oder gebrochenes Messer zu schweien, da das Messer brechen und schwere Verletzungen verursachen kann. Ersetzen Sie verschlissene oder beschdigte Messer.

▲ WARNUNG

Arbeiten Sie niemals an den Klingen, wenn sich der Schlssel im Zndschloss befindet. Drehen Sie den Schlssel in die Position "AUS", bevor Sie die Akkupacks aus der Maschine entfernen. Blockieren Sie den Mher, wenn Sie unter ihm arbeiten mssen. Tragen Sie beim Umgang mit den Messern Handschuhe. Prfen Sie immer, ob das Messer beschdigt ist, wenn der Mher auf einen Stein, einen Ast oder andere Fremdkrper trifft!

▲ GEFAHR

Das Nachschrfen kann mit einer Feile durchgefhrt werden. Prfen Sie die Auswuchtung der Messer nach dem Schleifen. Ein handelsbliches Auswuchtwerkzeug ist in den meisten Baumrkten erhltlich, oder Sie knnen die Klinge auf einer umgedrehten Stanze oder einer Schraube mit 12,7 mm (1/2") auswuchten. Das Messer darf sich nicht neigen oder kippen. Drehen Sie das Messer langsam. Es darf nicht wackeln. Wenn das Messer nicht rund luft, richten Sie es vor dem Wiedereinbau aus. Legen Sie das Messer auf eine ebene Flche und prfen Sie, ob es verbogen ist. Ersetzen Sie jedes verbogene Messer.

▲ WARNUNG

- Das Messersegel (gebogener Teil) muss nach oben zur Innenseite des Mhwerks zeigen, um einen ordnungsgemen Schnitt zu gewhrleisten.
- Wenn Sie die Messer montieren, drehen Sie sie nach der Installation, um sicherzustellen, dass die Messerspitzen einander oder die Seiten des Mhers nicht berhren.
- Wird die Schraube nicht korrekt angezogen, kann das Messer herausfallen, was zu schweren Verletzungen fhren kann.
- Die Mhklingen sind scharf und knnen schneiden. Tragen Sie Handschuhe und seien Sie besonders vorsichtig, wenn Sie sie warten.

7.1.1 MESSER ERSETZEN

Siehe Abbildung 17

1. Halten Sie den Motor an, ziehen Sie den Startschlssel ab und ziehen Sie die Feststellbremse an.
2. Bringen Sie das Mhwerk in die hchste Position, um Zugang zu den Klingen zu erhalten.

i HINWEIS

Heben Sie den Mäher ggf. an, indem Sie ihn auf eine Hebebühne stellen oder einen Wagenheber und Stützfüße verwenden, oder entfernen Sie das Mähwerk wie im vorherigen Abschnitt beschrieben, um Zugang zu den Klingen zu erhalten.

▲ WARNUNG

Wenn Sie den Mäher anheben, um an die Klingen zu gelangen, vergewissern Sie sich, dass der Mäher ordnungsgemäß gesichert und die Feststellbremse angezogen ist, bevor Sie fortfahren. Wenn Sie den Mäher nicht ordnungsgemäß sichern, kann er abstürzen, was schwere Verletzungen bis hin zum Tod verursachen kann.

3. Verkeilen Sie einen Holzklotz zwischen der Klinge und dem Mähwerk, um die Klinge am Drehen zu hindern.
4. Lösen Sie die Klingenmutter, indem Sie sie (von der Unterseite des Mähers aus gesehen) mit einem 16-mm-Schlüssel oder einer Stecknuss (nicht mitgeliefert) gegen den Uhrzeigersinn drehen.
5. Entfernen Sie die Klingenmutter, den Abstandhalter, den Klingenisolator und die Klinge.
6. Schrauben Sie die Messermutter auf die Welle und ziehen Sie sie handfest an.
7. Ziehen Sie die Klingenmutter mit einem Drehmomentschlüssel (nicht mitgeliefert) im Uhrzeigersinn an, um sicherzustellen, dass die Schraube richtig angezogen ist. Das empfohlene Drehmoment für die Klingenmutter beträgt 90 Nm~100 Nm (66~74 ft.lbs).

▲ WARNUNG

Stellen Sie sicher, dass die Klinge richtig sitzt und die Klingenmutter mit dem oben angegebenen Drehmoment angezogen ist. Wenn Sie die Klinge nicht ordnungsgemäß befestigen, kann sie sich lösen und möglicherweise zu schweren Verletzungen führen.

8. Wiederholen Sie den Vorgang mit der zweiten Klinge, falls erforderlich.

i HINWEIS

Achten Sie darauf, dass alle Teile in der gleichen Reihenfolge wieder eingebaut werden, in der sie ausgebaut wurden.

7.2 REIFEN

Für gleichmäßiges Mähen ist es wichtig, dass alle Reifen den richtigen Luftdruck haben. Der empfohlene Druck ist:

i HINWEIS

Der Reifendruck sollte nur bei kalten Reifen gemessen oder eingestellt werden.

Antriebsräder	8 psi
Vordere Lenkräder	37 psi

i HINWEIS

Prüfen Sie die Reifen täglich. Bei Beschädigung sofort austauschen.

▲ WARNUNG

Prüfen Sie den Reifendruck beim Aufpumpen sorgfältig. Zu viel Luft im Reifen kann zum Platzen des Reifens führen und schwere Verletzungen verursachen.

7.3 SCHMIERUNG

Siehe *Abbildung 19*

Geben Sie vor dem Betrieb Öl hinzu.

Ölsorte	SAE85W-140
Ölkapazität	180 ml

Wenden Sie sich an Ihren Händler von Cramer, um die Schmierung zu ersetzen.

i HINWEIS

Wechseln Sie das Getriebeöl, nachdem Sie die Maschine zum ersten Mal 50 Stunden lang betrieben haben, und anschließend alle 200 Stunden.

7.4 DREHMOMENTWERTE

▲ WARNUNG

Das Anziehen der Muttern der Antriebsräder und der Schrauben der Messerspindel muss besonders sorgfältig durchgeführt werden. Wenn diese Teile nicht korrekt angezogen werden, kann ein Rad oder ein Messer herausfallen, was zu schweren Schäden oder Verletzungen führen kann.

Die Drehmomentwerte sind unten angegeben:

Teil	Ft-lbs.	Nm
Radmutter (Radbolzen)	89	120
Schraube der Messerspindel	66	90

Nur Radmutter -Es wird empfohlen, diese nach den ersten 2 Betriebsstunden, zu Beginn, alle 100 Stunden und nach dem Ausbau zur Reparatur oder zum Austausch zu prüfen.

7.5 WARTUNG DES AKKUPACKS

Ihr Cramer-Mäher wird von einem Akkupack angetrieben, die bei ordnungsgemäßer Wartung eine jahrelange Lebensdauer hat. Für die richtige Pflege beachten Sie bitte die folgenden Hinweise:

- Laden Sie die Batterien nach jedem Gebrauch auf.
- Wenn ein Akkupack vollständig entladen und ausgeschaltet ist, sollten Sie ihn so schnell wie möglich wieder aufladen. Eine zu starke Entladung des Akkupacks verkürzt die Standzeit der Batterien und kann zu einer dauerhaften Beschädigung der Batterie führen. Es ist nicht notwendig, die Batterie vollständig aufzuladen; es reicht aus, wenn Sie den Akkupack nur 5-10 Minuten lang aufladen. Vorzugsweise laden Sie ihn innerhalb von 24 Stunden wieder auf.
- Achten Sie darauf, dass sich in der Nähe der Batteriepole und im Bereich der Batterie kein Gras, Schmutz und Unrat ansammelt.
- Laden Sie die Batterien in Innenräumen an einem gut belüfteten und trockenen Ort, fern von Funken oder Flammen. Setzen Sie das Ladegerät niemals Regen, Dämpfen oder Flüssigkeiten aus.
- Laden Sie nur die von Cramer gelieferten Lithium-Batterien auf.
- Berühren Sie keine unisolierten Teile des Ladegeräts (Anschlussstifte) oder des Ausgangssteckers.
- Verwenden Sie das Gerät nicht mit defekten Kabeln und Drähten. Tauschen Sie defekte Kabel und Leitungen sofort aus.
- Für eine langfristige Lagerung stellen Sie bitte sicher, dass die Lagertemperatur -20°C - 45°C innerhalb eines Monats und 0°C - 35°C zwischen zwei und zwölf Monaten beträgt.
- Die Arbeitsumgebung des Akkupacks liegt bei -20°C - 55°C zum Entladen und bei 0°C ~ 55°C zum Laden.

7.6 WARTUNG DES AKKUFACHFILTERS

Ersetzen Sie den Filter im Akkufach alle 200 Stunden.

7.7 SERVICE

i WICHTIG

Warten Sie vor dem Einstellen, Reinigen oder Reparieren, bis alle Bewegungen zum Stillstand gekommen sind. Reparaturen oder Wartungsarbeiten, die Strom benötigen, sollten nur von geschultem Wartungspersonal durchgeführt werden. Lesen und beachten Sie die Sicherheitshinweise auf der Vorderseite der Bedienungsanleitung.

Reparaturen oder Wartungsarbeiten, die Strom benötigen, sollten nur von geschultem Wartungspersonal durchgeführt werden.

- Stellen Sie den Mäher auf ebenem Boden ab. Stellen Sie sicher, dass sich die Lenkstockhebel in der Neutralstellung befinden und dass der PTO-Schalter auf "AUS" steht. Heben Sie das Mähwerk an, drehen Sie den Schlüssel in die Position "OFF", ziehen Sie den Schlüssel vom Schalter ab und entnehmen Sie die Akkupacks aus dem Akkufach unter dem Sitz.
- Alle Wartungsarbeiten, die das Entfernen von Sicherheitsabdeckungen erfordern, müssen von einem geschulten Servicetechniker durchgeführt werden.
- Verwenden Sie einen Stock oder ein ähnliches Instrument, um unter dem Mäher zu reinigen, und achten Sie darauf, dass sich keine Körperteile - insbesondere Arme und Hände - unter dem Mäher befinden.
- Halten Sie Ihre Maschine sauber und entfernen Sie alle Ablagerungen von Müll und Schnitgut.
- Halten Sie das Batteriefach, das Mähwerk und den Arbeitsplatz des Bedieners sauber von angesammeltem Müll, Grasschnitt und anderen Abfällen.
- Reinigen Sie das Batteriefach, das Antriebsmotorfach, das Mähwerk, den Sitz usw. von Schmutz und Ablagerungen. Zur Reinigung nur Druckluft verwenden. Verwenden Sie KEIN Wasser, Lösungsmittel, harte Reinigungsmittel oder Scheuermittel.
- Tragen Sie immer einen angemessenen Augenschutz, wenn Sie die Batterien warten oder wenn Sie die Mähklingen schleifen und den angesammelten Schmutz entfernen. Versuchen Sie niemals, Einstellungen oder Reparaturen am Antriebssystem des Mähers, am Mähwerk oder an Anbaugeräten vorzunehmen, während das Fahrtriebssystem läuft. Reparaturen oder Wartungsarbeiten, die Strom benötigen, sollten nur von geschultem Wartungspersonal durchgeführt werden.
- Arbeiten Sie niemals unter der Maschine oder dem Anbaugerät, es sei denn, es/sie ist sicher mit Ständern abgestützt. Stellen Sie sicher, dass die Maschine sicher steht, wenn sie angehoben und auf die Ständer gestellt wird.
- Die Maschine darf sich auf den Ständern nicht bewegen, wenn der Fahrtrieb läuft und die Antriebsräder sich drehen. Verwenden Sie nur zertifizierte Ständer. Verwenden Sie zum Aufbocken des Geräts nur geeignete Ständer mit einer Kapazität von mindestens 2000 Pfund (907,2 kg). Nur paarweise verwenden. Beachten Sie die mit den Fahrzeugständern gelieferten Anweisungen.
- Berühren Sie keine heißen Teile der Maschine.
- Achten Sie darauf, dass die Schrauben und Muttern fest angezogen sind, insbesondere die Schrauben der Messerbefestigung. Halten Sie die Ausrüstung in einem guten Betriebszustand.
- Manipulieren Sie niemals die Sicherheitseinrichtungen. Prüfen Sie regelmäßig ihre korrekte Funktion.
- Drehen Sie den Schlüssel in die Position "AUS", bevor Sie den Auswurfschacht befreien.
- Reinigen Sie den Auswurfschacht niemals bei laufender Maschine. Drehen Sie den Schlüssel in die Position "AUS" und vergewissern Sie sich, dass die Klingen vor der Reinigung zum Stillstand gekommen sind. Verwenden Sie einen Stock, um einen verstopften Auslassbereich zu reinigen. Benutzen Sie niemals Ihre Hand!
- Halten Sie das Gerät an und warten Sie, bis die Messer zum Stillstand gekommen sind, bevor Sie den Auswurfkanal freimachen. Die Komponenten des Grasfangsystems unterliegen Verschleiß, Beschädigung und Verschlechterung, wodurch bewegliche Teile freigelegt oder Gegenstände aufgeworfen werden könnten. Prüfen Sie die Komponenten regelmäßig und ersetzen Sie sie bei Bedarf durch vom Hersteller empfohlene Teile.
- Seien Sie bei der Arbeit unter dem Mähwerk vorsichtig, da die Mähklingen extrem scharf sind. Tragen Sie Handschuhe und seien Sie besonders vorsichtig, wenn Sie sie warten.
- Verwenden Sie nur Cramer-Mäher-Originalteile, um sicherzustellen, dass der Originalstandard erhalten bleibt.
- Trennen Sie immer die Akkus, bevor Sie das Gerät transportieren. Halten Sie das Gerät frei von Grasschnitt, Blättern und anderen Verunreinigungen.
- Prüfen Sie die Funktion der Bremsen regelmäßig. Verstellen und warten Sie sie nach Bedarf.
- Sicherheits- und Hinweisschilder sind je nach Bedarf zu pflegen oder zu ersetzen.
- Lassen Sie Ihren Aufsitzrasenmäher von einer qualifizierten Fachkraft mit baugleichen Ersatzteilen warten. Nur so wird die Sicherheit des Aufsitzrasenmähers gewährleistet.
- Nur mit dem vom Hersteller angegebenen Ladegerät aufladen. Ein Ladegerät, das für einen Akkupacktyp geeignet ist, kann bei Verwendung mit einem anderen Akkupack eine Brandgefahr darstellen.

8 TRANSPORT UND LAGERUNG

8.1 TRANSPORT

▲ WARNUNG

Seien Sie besonders vorsichtig, wenn Sie die Maschine in einen Anhänger laden oder daraus abladen. Drücken Sie die Taste für die niedrige Geschwindigkeit und bewegen Sie die Fahrhebel zur Regulierung der Geschwindigkeit vorsichtig. Fahren Sie beim Beladen immer rückwärts auf den Anhänger. Überschreiten Sie beim Be- und Entladen des Mähers nicht den empfohlenen maximalen Arbeitswinkel von 15°. Die Nichtbeachtung dieser Anweisungen kann zu Kontrollverlust führen und schwere Verletzungen bis hin zum Tod oder Sachschäden zur Folge haben.

▲ WARNUNG

Seien Sie beim Be- und Entladen des Mähers auf oder von einem Anhänger vorsichtig. Stellen Sie sicher, dass das Mähwerk in die höchste Position angehoben ist, damit es nicht an der Rampe hängen bleibt. Die Räder des Mähers können von der Rampe oder dem Anhänger abspringen, wodurch sich der Mäher umdrehen oder umkippen kann und somit Quetschgefahr entsteht, die zu schweren Verletzungen bis hin zum Tod führen kann.

1. Stellen Sie den Mäher auf einer ebenen Fläche ab.
2. Heben Sie das Mähwerk in die höchste Position.
3. Positionieren und befestigen Sie die Rampe gemäß den Herstelleranweisungen am Anhänger.

i HINWEIS

Wir empfehlen die Verwendung einer voll ausgefahrenen Laderampe, die mindestens 1 Fuß breiter ist als der Mäher, um das Risiko zu minimieren, dass die Räder des Mähers von der Seite der Rampe abkommen.

4. Fahren Sie den Mäher langsam auf die Rampe und in den Anhänger.
5. Senken Sie das Mähwerk vollständig ab.
6. Betätigen Sie die Feststellbremse.
7. Schalten Sie den Mäher aus und ziehen Sie den Schlüssel ab.
8. Sichern Sie den Mäher bei Bedarf mit Gurten oder Seilen, um Bewegungen während des Transports zu verhindern.

▲ WARNUNG

Um ein unbeabsichtigtes Starten oder Bewegungen zu vermeiden, die zu schweren Verletzungen führen könnten, ziehen Sie während des Transports immer den Startschlüssel ab und aktivieren Sie die Feststellbremse.

8.2 REINIGUNG UND LAGERUNG

8.2.1 MASCHINE REINIGEN

- Entfernen Sie alle Gras- und Laubansammlungen auf oder um die Motorabdeckung (verwenden Sie kein Wasser aus einer Hochdruckpistole, um den Motor zu reinigen).
- Wischen Sie den Mäher von Zeit zu Zeit mit einem trockenen Tuch sauber.
- Wenn sich während des Einsatzes Schmutz an der Unterseite des Mähers ansammelt, stoppen Sie den Motor, schalten Sie die Maschine aus und kratzen Sie ihn mit einem geeigneten Werkzeug ab.

8.2.2 DAS MÄHWERK REINIGEN

Siehe Abbildung 18

- Stellen Sie die Feststellbremse in die Parkschlitzze.
- Stellen Sie das Mähwerk auf die niedrigste Höhe ein.
- Befestigen Sie die mitgelieferte Schnellkupplung für den Waschanschluss am Gartenschlauch.
- Schließen Sie einen Gartenschlauch mit Schnellkupplung an den Waschanschluss des Mähwerks an. Die Waschöffnung befindet sich auf der linken Seite des Mähwerks.

- Stellen Sie das Wasser ein.
- Ziehen Sie den PTO-Schalter, um die Mähklingen zu starten, und stellen Sie die höchste Messerdrehzahl ein.
- Spülen Sie etwa eine Minute lang Wasser unter das Mähwerk.
- Schalten Sie die Mähklingen aus, indem Sie den PTO-Schalter nach unten drücken.
- Stellen Sie das Wasser ab und entfernen Sie den Gartenschlauch und die Schnellkupplung vom Waschanschluss.
- Entfernen Sie die Schnellkupplung vom Gartenschlauch und bewahren Sie sie zur späteren Verwendung auf.
- Schalten Sie den Mäher vollständig aus.

8.2.3 MASCHINE LAGERN

Die folgenden Schritte sollten durchgeführt werden, um die Maschine für die Lagerung vorzubereiten.

- Reinigen Sie die Maschine wie im vorherigen Abschnitt beschrieben.
- Kontrollieren Sie das Messer und tauschen Sie es aus oder schärfen Sie es, falls erforderlich (siehe Abschnitt Wartung).
- Lagern Sie die Maschine nicht in der Nähe von ätzenden Materialien wie Dünger oder Steinsalz.
- Bewahren Sie die Maschine außerhalb der Reichweite von Kindern auf.
- Decken Sie die Maschine nicht mit einer festen Plastikfolie ab. Kunststoffabdeckungen schließen Feuchtigkeit um die Maschine herum ein, was zu Rost und Korrosion führt.
- Prüfen Sie genau, ob verschlissene oder beschädigte Teile ausgetauscht werden müssen, und bestellen Sie diese bei Ihrem Händler.
- Bitte wenden Sie sich an den Kundendienst, um die Maschine gründlich zu schmieren.
- Laden Sie die Batterien vollständig auf und warten Sie sie.
- Lassen Sie nicht die Luft aus den Reifen.
- Die Maschine sollte an einem gut belüfteten, sauberen und trockenen Ort gelagert werden, da das Batterieladegerät nicht in einer feuchten Umgebung verwendet werden kann.
 - Die Batterien sollten immer vollständig geladen sein. Es ist besonders wichtig, Schäden an der Batterie zu vermeiden, wenn die Temperatur unter 0 °C (32 °F) liegt.
 - Schließen Sie den Ladeadapter an den Ladeanschluss und die Batterien an, wie im Abschnitt "Ladeadapter" im Kapitel "Elektrische Anlage" beschrieben.
 - Schließen Sie das Ladegerät an eine geeignete Steckdose an. Weitere Einzelheiten zur Verwendung des Ladegeräts und zum Laden der Batterien finden Sie in den Abschnitten Batterieladegerät, Laden der Batterien und Ladeempfehlungen im Abschnitt über das elektrische System.
 - Um die Standzeit der Batterien zu verlängern, sollten sie kurz nach jedem Gebrauch vollständig aufgeladen werden.

8.2.4 NACH DER LAGERUNG FÜR DIE VERWENDUNG VORBEREITEN

Die folgenden Schritte sollten durchgeführt werden, bevor Sie den Mäher nach der Lagerung wieder verwenden:

- Laden Sie die Akkus vollständig auf.
- Prüfen Sie den Reifendruck und erhöhen Sie ihn bei Bedarf.
- Fahren Sie den Mäher eine kurze Strecke und überprüfen Sie alle Systeme und Komponenten, um sicherzustellen, dass sie ordnungsgemäß funktionieren.

9 FEHLERBEHEBUNG

PROBLEM	MÖGLICHE URSACHE	LÖSUNG
Das Fahrzeug lässt sich nicht bewegen.	In das Akkufach ist kein Akkupack oder kein von Cramer vorgesehener Akkupack eingesetzt.	Um den normalen Betrieb des Fahrzeugs zu gewährleisten, sollte mindestens 1 von Cramer vorgesehenes Akkupackprodukt in das Akkufach gelegt werden.
	Akkupack ist nicht geladen.	Prüfen Sie die Stromversorgung des Akkus.
	Die Lenkradhebel befinden sich in der Feststellbremsposition.	Stellen Sie sicher, dass der linke und rechte Steuerhebel nicht in der Feststellbremsposition stehen.
	Es sitzt niemand auf dem Sitz oder der Bedienerpräsenzscharter ist nicht geschlossen.	Stellen Sie sicher, dass der Fahrer auf dem Sitz sitzt.
	Der linke und der rechte Parkscharter sind nicht in der Ausgangsposition, wenn die Maschine eingeschaltet ist.	Stellen Sie die Lenkstockhebel in die Feststellbremsposition und starten Sie die Maschine neu. Sollte sie sich dann immer noch nicht starten lassen, wenden Sie sich bitte an das zuständige Kundendienstpersonal von Cramer.
	Das Akkufach befindet sich im Ruhezustand.	Drehen Sie den Schlüsselscharter in die Position AUS und warten Sie etwas länger als 5 Sekunden, bevor Sie die Maschine erneut starten.
Plötzliche Störung während der Fahrt	Das Akku ist nicht aufgeladen.	Um den normalen Betrieb des gesamten Fahrzeugs zu gewährleisten, ist es notwendig, mindestens 1 von Cramer vorgesehenes Akkupackprodukt in das Akkufach einzusetzen und sicherzustellen, dass der Akkupack mit Strom versorgt wird.
	Raue und holprige Straßen führen zu einer Unterbrechung des Bedienerpräsenzscharters.	Stellen Sie die Lenkstockhebel in die Feststellbremsposition und starten Sie die Maschine neu.
	Der linke/rechte Beschleuniger ist defekt.	Wenden Sie sich an einen Kundendienstmitarbeiter von Cramer.
	Antriebsregler hat eine Störung.	Wenden Sie sich an einen Kundendienstmitarbeiter von Cramer.
Die Klinge funktioniert nicht, nachdem der PTO-Scharter betätigt wurde.	In das Akkufach ist kein von Cramer vorgesehener Akkupack eingesetzt.	Um den normalen Betrieb des gesamten Fahrzeugs zu gewährleisten, ist es notwendig, mindestens 1 von Cramer vorgesehenes Akkupackprodukt in das Akkufach einzusetzen und sicherzustellen, dass der Akkupack mit Strom versorgt wird.
	Der Akkuladestand ist unter 5%.	Prüfen Sie die Akkuleistung. Wenn die Akkuleistung niedrig ist, laden Sie den Akku auf.
	Der Bedienerpräsenzscharter ist nicht geschlossen.	Stellen Sie sicher, dass der Fahrer auf dem Sitz sitzt.
	Der Klingenscharter (PTO) ist vor dem Einschalten nicht in der Ausgangsposition.	Drücken Sie den PTO und ziehen Sie ihn wieder hoch.
	Klingenmotor oder anderer Funktionsschutz blockiert.	Vergewissern Sie sich, dass sich kein Unkraut oder andere Fremdkörper an der Verbindung zwischen der Klinge und dem Motor befinden, um einen reibungslosen Klingenlauf zu gewährleisten. Es wird empfohlen, das Mähwerk hochzustellen und die Klinge zu starten, bevor Sie das Mähwerk auf den gewünschten Gang einstellen.

DE

PROBLEM	MÖGLICHE URSACHE	LÖSUNG
	Antriebssteuerung funktioniert nicht richtig.	Prüfen Sie den Fehlercode, der auf der Anzeige erscheint.
Die Klinge bleibt beim Mähen von Gras stecken.	Die Klinsensteuerung funktioniert nicht richtig.	Prüfen Sie den Fehlercode, der auf der Anzeige erscheint.
	Überlastung des Klinsenmotors.	Reinigen Sie das Innere des Mähwerks, stellen Sie sicher, dass sich die Klinsen nicht abnormal drehen, drücken Sie den PTO, starten Sie die Maschine neu und reduzieren Sie die Klinsenbelastung, indem Sie entweder die Höhe des Mähtrichters erhöhen oder die Fahrgeschwindigkeit verringern.
	Die Akkupacktemperatur ist zu hoch.	Verwenden Sie das Gerät nicht unmittelbar nach Abschluss des Ladevorgangs, da sonst der Temperaturschutzfehler des Akkupacks ausgelöst werden kann.
	Der Akkuladestand ist unter 5%.	Die Akkuleistung ist niedrig, bitte laden Sie den Akku auf.
	Die Klinge wird von einem Fremdkörper getroffen, der einen plötzlichen Stopp verursacht.	Drehen Sie den Startschlüssel in die Position AUS und warten Sie etwas länger als 5 Sekunden, bevor Sie die Maschine erneut starten.
	Antriebssteuerung funktioniert nicht richtig.	Prüfen Sie den Fehlercode, der auf der Anzeige erscheint.
Der Mäher schneidet das Gras ungleichmäßig und der Höhenunterschied ist sehr groß.	Die Klinge ist stumpf.	Schleifen Sie die Klinge gemäß Anleitung.
	Die Klinge ist verbogen.	Tauschen Sie die verbogene Klinge gemäß den Anweisungen aus und tragen Sie dabei Schutzkleidung.
	Das Mähwerk ist nicht eben.	Ebnen Sie das Mähwerk gemäß den Anweisungen, um sicherzustellen, dass die Höhe links und rechts gleich ist.
Die tatsächliche Mähhöhe stimmt nicht mit der gewählten markierten Mähhöhe überein.	Die Befestigungsbolzen am Mähwerk sind lose.	Passen Sie die Befestigungsbolzen des Mähwerks an, um sicherzustellen, dass es fest montiert ist. Hinweis: Das Mähwerk muss nach dem Einstellen der Befestigungsbolzen neu ausgerichtet werden.
	Das Mähwerk ist stark abgenutzt oder beschädigt.	Setzen Sie ein neues Mähwerk ein.
Fahrzeug schreddert unregelmäßig	Der Rasen ist zu nass.	Bitte prüfen Sie vor dem Mähen den Zustand des Grasses. Wenn das Gras zu nass ist, warten Sie, dass Wind oder Sonne den Tau aufgelöst haben, bevor Sie es schneiden.
	Der Mäher ist so eingestellt, dass er zu viel Gras auf einmal mäht.	Wenn das Gras zu dicht und hoch ist, heben Sie das Mähwerk an, und vermeiden Sie das Mähen von zu hohem Gras soweit möglich.
Übermäßige Maschinenvibrationen	Klingen lose.	Schleifen Sie die Klinge mit der in der Anleitung angegebenen Methode.
	Klingen sind verbogen.	Tauschen Sie die verbogenen Klinsen gemäß den Anweisungen aus und tragen Sie dabei Schutzhandschuhe.
	Mähwerk nicht eben.	Ebnen Sie das Mähwerk gemäß den Anweisungen, um sicherzustellen, dass die Höhe links und rechts gleich ist.
	Mähwerk lose.	Verriegeln Sie die Befestigungsbolzen des Mähwerks.
	Der Mäher ist so eingestellt, dass er zu viel Gras auf einmal mäht.	Wenn das Gras zu dicht und hoch ist, heben Sie das Mähwerk an, und versuchen Sie das Mähen von zu hohem Gras zu vermeiden.

PROBLEM	MÖGLICHE URSACHE	LÖSUNG
Nach dem Mähvorgang verbleiben auf dem Boden Gras, Blätter oder Abfälle.	Der Mäher ist so eingestellt, dass er zu viel Gras auf einmal mäht.	Wenn das Gras zu dicht und hoch ist, heben Sie bitte das Mähwerk an. Wenn das Gras höher als 15 cm ist, verfahren Sie in zwei Mähvorgängen, um den gewünschten Mäheffekt zu erzielen, und versuchen Sie, das Mähen von zu dichtem Gras zu vermeiden.
	Das Gras ist zu nass.	Prüfen Sie vor dem Mähen den Zustand des Rasens. Wenn das Gras zu nass ist, warten Sie, dass Wind oder Sonne den Tau aufgelöst haben, bevor Sie es mähen.
	Die Fahrgeschwindigkeit ist zu hoch.	Verringern Sie die Fahrgeschwindigkeit.
	Die Schnittgeschwindigkeit der Klinge ist zu niedrig.	Erhöhen Sie die Geschwindigkeitsstufe der Klinge.
Kurze Mähdauer	Das Mähen von zu dichtem Gras kann die Mähdauer verkürzen.	Wenn Sie das Mähwerk anheben oder die Geschwindigkeit der Klängen verringern, können Sie die Nutzungsdauer einer Mäherladung verlängern.
Mäher außer Kontrolle	Reifendruck unterschiedlich	Prüfen Sie den Reifendruck des Mähers regelmäßig gemäß Bedienungsanleitung.
Das Fahrzeug lässt sich nach dem Waschen nicht starten.	Unsachgemäße Reinigung, z. B. Wasser im LED-Bildschirm, im Akkufach und in anderen elektronischen Komponenten.	<ol style="list-style-type: none"> 1. Bitte befolgen Sie die Anweisungen zur Reinigung der Maschine. 2. Sollte das Fahrzeug unabsichtlich durchnässt worden sein, stellen Sie es bitte für 12 Stunden an einen trockenen Ort oder föhnen Sie es vor der Verwendung trocken. 3. Wenden Sie sich an den Kundendienst von Cramer.
Der Mäher ist verstopft.	Unkraut und Abfälle sammeln sich auf dem Mähwerk.	Bitte befolgen Sie die Anweisungen zur Reinigung der Maschine nach jeder Verwendung der Maschine.
Im Parkmodus rutscht die Maschine schnell an Hängen und kommt ins Schleudern.	Starker Reifenverschleiß.	Wenden Sie sich an den Kundendienst, um die Reifen auszutauschen.
	Die Magnetbremse ist beschädigt oder zu stark abgenutzt.	Wenden Sie sich an den Kundendienst, um die Magnetbremse auszutauschen.
	Die Magnetbremse wurde manuell gelöst.	Überprüfen Sie die Magnetbremse und stellen Sie sie in die Ausgangsposition zurück.

DE 10 TECHNISCHE DATEN

Modell-Nr.	82ZT107
Spannung	82 V
Bruttogewicht des Fahrzeugs	106±3 kg
Länge	170 cm
Höhe	117 cm
Breite (mit Abfluss)	135 cm
Breite (ohne Abfluss)	107 cm
Mähwerkbreite	107 cm
Fahrgeschwindigkeit	0-7.5 mph
Rückwärtsgeschwindigkeit	0-3 mph
Schnitt Höhenbereich	3.81-11.4 cm
Niveau der Schnitt Höheneinstellung	7 Stück
Leerlaufdrehzahl	2400/3000/3200 U/min
Ladezeit	4 h (mit 8-A-Ladegerät)
Motorleistung	1.2 kW (Klingenmotor)
	1.2 (Antriebsmotor)
MAX Hanglage	15°
Anzahl an Klingen (Auswurf/Mulchen)	2 Stück
Gemessener Schalldruckpegel	$L_{pA} = 85.63 \text{ dB(A)}$, $K_{pA} = 3 \text{ dB(A)}$
Gemessener Schalleistungspegel	$L_{wA} = 98.61 \text{ dB(A)}$
Garantierter Schalleistungspegel	$L_{wA,d} = 100 \text{ dB(A)}$
Vibration	Arme: $\leq 2.5 \text{ m/s}^2$, $K = 1.5 \text{ m/s}^2$
	Körper: $\leq 2.5 \text{ m/s}^2$, $K = 1.5 \text{ m/s}^2$

11 GARANTIEBESTIMMUNGEN

11.1 WAS WIRD DURCH DIESE GARANTIE ABGEDECKT

Cramer gewährt die folgende Garantie nur dem Erstkäufer ("Eigentümer") - die Garantie ist nicht übertragbar:

A. Verwendung zum Privatgebrauch: Cramer-Produkte, die für den normalen Privatgebrauch* genutzt werden, unterliegen einer Garantie von fünf (5) Jahren oder 1.500 Betriebsstunden (je nachdem, was zuerst eintritt) ab Kaufdatum auf alle Materialien und die Verarbeitung von Fahrgestell, Mähwerk und Batterien. Für Verbrauchsmaterialien wie Reifen und Messer gilt eine Garantie von dreißig (30) Tagen ab Kaufdatum. Wenn der Eigentümer innerhalb dieser Garantiezeit einen Material- oder Verarbeitungsfehler feststellt, gilt folgendes:

- Der Eigentümer muss Cramer oder einen autorisierten Händler unverzüglich schriftlich oder per E-Mail, Telefonanruf, App oder persönlich über den Mangel informieren. In keinem Fall darf eine solche Mitteilung später als fünf (5) Jahre nach dem Kaufdatum bei Cramer oder einem autorisierten Händler eingehen.
- Innerhalb eines angemessenen Zeitraums nach einer solchen Benachrichtigung und der Überprüfung eines garantiepflichtigen Defekts behebt Cramer jeden Material- oder Verarbeitungsfehler am Cramer-Produkt, indem es nach eigenem Ermessen Teile repariert oder durch neue oder gebrauchte Ersatzteile ersetzt.
- Eine solche Reparatur, einschließlich Teilen und Arbeit, geht ausschließlich für den ursprünglichen Eigentümer zu Lasten von Cramer.

B. Gewerbliche Nutzung: Cramer-Produkte, die für kommerzielle und institutionelle Zwecke verwendet werden, unterliegen einer Garantie von fünf (5) Jahren oder 1.500 Betriebsstunden (je nachdem, was zuerst eintritt) ab dem Kaufdatum auf alle Materialien und die Verarbeitung von Fahrgestell, Mähwerk und Batterien. Für Verbrauchsmaterial (einschließlich, aber nicht beschränkt auf Reifen und Messer) gilt eine Garantie von dreißig (30) Tagen ab dem Kaufdatum. Wenn der Eigentümer innerhalb dieser Garantiezeit einen Material- oder Verarbeitungsfehler feststellt, gilt folgendes:

- Der Eigentümer muss Cramer oder einen autorisierten Händler unverzüglich schriftlich, per E-Mail, Telefonanruf, App oder persönlich über den Defekt informieren. In keinem Fall darf eine solche Mitteilung später als fünf (5) Jahre nach dem Kaufdatum bei Cramer oder einem autorisierten Händler eingehen.
- Innerhalb eines angemessenen Zeitraums nach einer solchen Benachrichtigung und Überprüfung eines garantispflichtigen Mangels behebt Cramer jeden Material- oder Verarbeitungsfehler an dem Cramer-Produkt, indem es nach eigenem Ermessen Teile repariert oder durch neue oder gebrauchte Ersatzteile ersetzt.
- Eine solche Reparatur, einschließlich Teilen und Arbeit, geht ausschließlich für den ursprünglichen (gewerblichen) Eigentümer zu Lasten von Cramer.

i HINWEIS

Wenn die Batterien nicht ordnungsgemäß gewartet und vollständig aufgeladen werden, verkürzt sich die Standzeit der Batterien und die Batteriegarantie tritt außer Kraft. Die Bestimmungen dieser eingeschränkten Garantie gelten nicht für Ausfälle aufgrund von:

- Missbrauch oder Vernachlässigung, wie z. B. Wasserschäden, lose Kabel oder verrostete oder korrodierte Teile.
- Fehlende ordnungsgemäße Wartung, Schäden durch unsachgemäßen Einbau der Batterie, Vernachlässigung, Bruch, extreme Temperaturbedingungen, einschließlich, aber nicht beschränkt auf Temperaturen unter dem Gefrierpunkt, heiße Temperaturen, Nähe zu Wärmequellen einschließlich Heizgeräten oder Feuer, Kontakt mit Wasser oder anderen Substanzen, Bruchstücke, Betrieb der Batterie in überladener oder ungeladener Zustand.
- Eine Batterie, die mit anderen Systemen als dem Original-Batterieladegerät geladen wird.

Fußnote: *„Normaler Privatgebrauch“, wie hier verwendet, bedeutet die Nutzung des Produkts auf demselben Grundstück, auf dem Ihr Haus steht. Die Nutzung an mehr als einem Ort gilt als gewerbliche Nutzung, für die dann die Garantie für gewerbliche Nutzung gilt.*

11.2 WER ERBRINGT DIE GARANTIELEISTUNG

Alle Garantieleistungen werden durch einen von Cramer autorisierten Händler oder einen von Cramer autorisierten Servicetechniker erbracht. Serviceanrufe und/oder die Kosten für den Transport des Produkts zum und vom autorisierten Händler für Garantiearbeiten werden vom Eigentümer des Produkts getragen. Für Garantieleistungen wenden Sie sich bitte an einen autorisierten Händler.

11.3 WAS VON DIESER GARANTIE NICHT ABGEDECKT IST

Cramer übernimmt keine Garantie:

- Reparaturen, die von Unbefugten durchgeführt werden.
- Schäden durch die Verwendung des Cramer-Produkts für andere als die vorgesehenen Zwecke.
- Schäden durch Katastrophen wie Feuer, Überschwemmung, Wind und Blitzschlag.
- Schäden durch Vernachlässigung, Missbrauch, unsachgemäßen oder unangemessenen Gebrauch, Unfälle, Fahrlässigkeit oder Fehlgenebrauch wie Wasserschäden.
- Reparaturen oder Ersatz, die durch die Verwendung von nicht zugelassenen Teilen, Zubehör oder Anbaugeräten notwendig werden.
- Reparaturen oder Austausch infolge von Änderungen oder Modifikationen, die nach Auffassung von Cramer den Betrieb, die Leistung oder die Haltbarkeit des Geräts beeinträchtigen.
- Produkte, Komponenten oder Teile, die nicht von Cramer hergestellt wurden.
- Produkte, deren Kennzeichnung verändert wurde, einschließlich, aber nicht beschränkt auf, entfernte und/oder unleserlich gemachte Seriennummern.
- Beeinträchtigung oder Schäden durch normale Abnutzung, fehlende angemessene und ordnungsgemäße Wartung, Nichtbeachtung der Betriebs-, Wartungs- und Einstellanweisungen im Benutzerhandbuch des Produkts oder anderer von Cramer bereitgestellter Betriebsanweisungen.
- Normale Wartungsteile und Serviceleistungen, einschließlich, aber nicht beschränkt auf Schmiermittel, Tuningteile, Messer, Schärfen der Messer, Lager, Brems- oder Lenkungseinstellungen.

- Produkte mit einer nicht genehmigten Programmierung für dieses Produkt, einschließlich Änderungen von Parametern, Aftermarket-Programmierung oder -Anpassungen oder jegliche nicht genehmigte Änderung von Komponenten, Elektronik oder Software.

11.4 AUSSCHLUSS DER GEWÄHRLEISTUNG

Die obigen Garantien treten an die Stelle aller anderen ausdrücklichen oder implizierten Garantien, einschließlich, aber nicht beschränkt auf die implizierten Garantien der Marktgängigkeit und der Eignung für einen bestimmten Verwendungszweck. Wenn das Cramer-Produkt jedoch als Verbraucherprodukt erworben wird, ist jede implizierte Garantie der Marktgängigkeit oder der Eignung für einen bestimmten Verwendungszweck auf die Dauer dieser beschränkten Garantie beschränkt. In einigen Ländern ist eine Begrenzung der Dauer einer implizierten Garantie nicht zulässig, so dass die obige Einschränkung möglicherweise nicht auf Sie zutrifft. Diese Garantie gibt Ihnen bestimmte gesetzliche Rechte, und Sie können auch andere Rechte haben, die von Staat zu Staat variieren.

11.5 BEGRENZUNG DER RECHTSMITTEL

In keinem Fall haftet Cramer für Sonder-, Neben- oder Folgeschäden, die auf einer Garantieverletzung, einem Vertragsbruch, einer Fahrlässigkeit, einer verschuldensunabhängigen Haftung aus unerlaubter Handlung oder einer anderen Rechtslehre beruhen. Diese Schäden umfassen unter anderem:

- Verlust von Gewinnen
- Verlust von Ersparnissen oder Einnahmen
- Verlust der Nutzung des Cramer-Produkts oder der zugehörigen Ausstattung
- Kapitalkosten
- Kosten für Ersatzgeräte, Einrichtungen, Dienstleistungen oder Ausfallzeiten
- Die Ansprüche Dritter, einschließlich Kunden, und die Verletzung von Eigentum

11.6 ZEITLICHE BEGRENZUNG

Es sei denn, nationales Recht bestimmt etwas anderes:

Jede Klage wegen Verletzung der Garantie muss innerhalb von fünf (5) Jahren oder sechzig (60) Monaten ab dem Kaufdatum bei privater und/oder gewerblicher Anwendung eingereicht werden.

Falls das Herstellungsdatum mehr als einen angemessenen Zeitraum vor dem Erstkauf durch den Kunden liegt, kann die Garantie von Cramer zusätzlich eingeschränkt sein.

11.7 KEINE WEITEREN GARANTIE

Diese Vereinbarung gilt als die vollständige und ausschließliche Vereinbarung zwischen den Parteien und ersetzt alle früheren mündlichen oder schriftlichen Vereinbarungen und alle anderen Mitteilungen zwischen den Parteien, die sich auf den Gegenstand dieser Vereinbarung beziehen.

11.8 VERANTWORTUNG DES EIGENTÜMERS

Sie müssen Ihr Cramer-Produkt den in der Bedienungsanleitung beschriebenen Wartungsmaßnahmen entsprechend warten. Eine solche Routinewartung geht zu Ihren Lasten, egal, ob sie von einem Händler oder von Ihnen selbst durchgeführt wird.

Diese Maschine ist, wie jedes andere motorbetriebene Gerät, potenziell gefährlich, wenn sie nicht ordnungsgemäß bedient wird. Jeder Bediener muss vorsichtig vorgehen und jederzeit auf die Sicherheit achten. Jeder Bediener sollte sich vor der Verwendung des Cramer-Produkts gründlich mit der Bedienungsanleitung und den Sicherheitshinweisen an der Maschine selbst vertraut machen, um den Betrieb und die Sicherheitsanforderungen zu verstehen.

11.9 AUFTEILUNG DER RISIKEN

In dieser Vereinbarung werden die Risiken eines Produktausfalls zwischen Cramer und dem Eigentümer aufgeteilt. Diese Aufteilung wird von beiden Parteien anerkannt und spiegelt sich im Preis der Waren wider.

11.10 GARANTIEREGISTRIERUNG

Es sei denn, nationales Recht bestimmt etwas anderes:

1. Die Eigentümer müssen das Gerät innerhalb von zehn (10) Tagen nach dem Kaufdatum bei Cramer anmelden.

- Die Registrierung kann durch Ausfüllen des Formulars zur Garantieregistrierung erfolgen, das in der Betriebsanleitung enthalten ist.
- Die Registrierung kann auch über Online-Formulare unter [cramertools.com](https://www.cramertools.com) oder über die App unter Vorlage eines Kaufbelegs (Quittung mit Kaufdatum) erfolgen.

12 EG-KONFORMITÄTSERKLÄRUNG

Name und Anschrift des Herstellers:

Name: Greenworks Tools Europe GmbH
Adresse: Brunnenweg 17, 64331 Weiterstadt, Deutschland

Name und Anschrift der Person, die zur Erstellung der technischen Unterlagen berechtigt ist:

Name: Ralf Pankalla
Adresse: Brunnenweg 17, 64331 Weiterstadt, Deutschland

Hiermit erklären wir, dass das Produkt

Kategorie: Null-Wendekreis-Mäher
Modell: 82ZT107
Seriennummer: Siehe Produktetikett
Baujahr: Siehe Produktetikett

- den einschlägigen Bestimmungen der Maschinenrichtlinie 2006/42/EG entspricht.
- den Bestimmungen der folgenden anderen EG-Richtlinien entspricht:
 - 2014/30/EU
 - 2011/65/EU & 2015/863/EU

Darüber hinaus erklären wir, dass die folgenden (Teile/Klauseln von) europäischen harmonisierten Normen verwendet wurden:

- EN 62841-1, EN ISO 5395-1, EN ISO 5395-3, EN ISO 14982, IEC 62321-3-1, IEC 62321-4, IEC 62321-5, IEC 62321-6, IEC 62321-7-1, IEC 62321-7-2, IEC 62321-8

Ort, Datum: 11.11.2022

Unterschrift: Ted Qu, Qualitätsleiter

Ted Qu

1 Descripción.....	65	7.3 Lubricación.....	84
1.1 Perspectiva general.....	65	7.4 Valores de par.....	85
1.2 Panel de control.....	65	7.5 Mantenimiento de la batería.....	85
2 Desembalaje de la máquina.....	66	7.6 Mantenimiento del filtro del compartimento de la batería.....	85
3 Instalación.....	66	7.7 Servicio.....	86
3.1 Instalación del asiento.....	66	8 Transporte y almacenamiento..	87
3.2 Instalación de la cubierta de mulching.....	66	8.1 Transporte.....	87
3.3 Instalación de la palanca de control de dirección.....	66	8.2 Limpieza y almacenamiento.....	87
3.4 Mando de derivación de punto muerto.....	67	9 Solución de problemas.....	89
3.5 Ruedas anti-calvas.....	67	10 Datos técnicos.....	92
4 Instrucciones de funcionamiento.....	67	11 Garantía limitada.....	92
4.1 Antes del funcionamiento.....	67	11.1 Cobertura de la presente garantía.....	92
4.2 Funcionamiento de la máquina.....	69	11.2 Quién debe llevar a cabo el servicio bajo garantía.....	93
5 Sistema eléctrico.....	74	11.3 Lo que no cubre la presente garantía.....	93
5.1 Seguridad del sistema eléctrico.....	74	11.4 Descargo de garantía.....	94
5.2 Información del sistema eléctrico.....	75	11.5 Limitación de reparaciones.....	94
5.3 Pantalla digital.....	75	11.6 Límite de tiempo.....	94
6 Errores.....	75	11.7 Ausencia de otras garantías.....	94
6.1 Código de error.....	77	11.8 Responsabilidad del propietario.....	94
7 Mantenimiento.....	83	11.9 Asignación de riesgos.....	94
7.1 Mantenimiento de las cuchillas del cortacésped.....	83	11.10 Registro de la garantía.....	94
7.2 Neumáticos.....	84	12 Declaración de conformidad CE.....	95

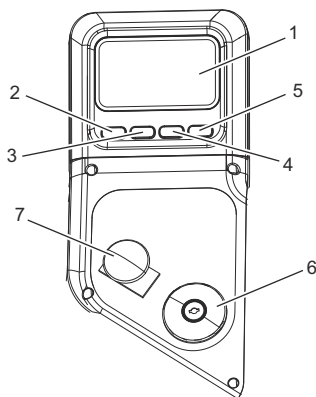
1 DESCRIPCIÓN

1.1 PERSPECTIVA GENERAL

Consulte la hoja de figuras que se entrega por separado 1-19

- | | |
|--|--|
| 1 Palancas de control de dirección | 19 Mando de derivación de punto muerto |
| 2 Palanca de ajuste del asiento | 20 Número de serie |
| 3 Luz delantera | 21 Código de emparejamiento |
| 4 Ruedas delanteras | 22 Código QR |
| 5 Conducto de descarga | 23 Compartimento de la batería |
| 6 Ruedas de tracción | 24 Batería |
| 7 Panel de control | 25 Cierre de la batería |
| 8 Puerto USB | 26 Apagado |
| 9 Portavasos | 27 Encendido |
| 10 Plataforma | 28 Orificio de llave de arranque |
| 11 Ruedas anti-calvas | 29 Perno |
| 12 Palanca de ajuste de altura de plataforma | 30 Arandela |
| 13 Panel del asiento | 31 Cuchilla |
| 14 Conector del asiento | 32 Manguera de jardín |
| 15 Cubierta de mulching | 33 Acoplamiento rápido |
| 16 Corona de apoyo | 34 Puerto de lavado |
| 17 Abrazaderas de fijación | 35 Salida de drenaje de aceite |
| 18 Poste de montaje | 36 Regla de aceite |

1.2 PANEL DE CONTROL



#	Nombre	Función
1	Pantalla digital	Esta pantalla muestra información importante sobre el sistema eléctrico. Consulte la sección Datos eléctricos para obtener toda la información.
2	Control de velocidad del motor de la cuchilla / Ret-roceso	Ajusta la velocidad de la cuchilla (cíclico) cuando está en la página de inicio. Pulse el botón para regresar a la página anterior.
3	Navegación por el menú / Re Pág	Pasa la pantalla digital a la última página. Regreso a la pantalla de inicio.
4	Interruptor de luces / Av Pág	Enciende o apaga las luces cuando está en la página de inicio. Pasa la pantalla digital a la página siguiente.
5	Control de velocidad de conducción / Con-firmar	Ajusta la velocidad de conducción (cíclico) cuando está en la página de inicio. Pulse el botón para confirmar.
6	Interruptor de encendido	El interruptor se utiliza para encender y apagar el cortacésped.
7	Interruptor de encendido/ apagado (PTO) de las cuchillas de la plataforma	Este interruptor acopla los motores de las cuchillas. Tire del interruptor hacia arriba para acoplar y empuje el interruptor hacia abajo para desacoplar los motores.

i IMPORTANTE

Nunca acople los motores de las cuchillas cuando la plataforma esté bajo carga. Los motores o la plataforma podrían sufrir daños.

2 DESEMBALAJE DE LA MÁQUINA

▲ AVISO

Asegúrese de montar correctamente la máquina antes del uso.

▲ AVISO

- Si las piezas de la máquina presentan daños, no utilice la máquina.
- Si faltan piezas, no haga funcionar la máquina.
- Si faltan piezas o hay piezas dañadas, contacte el centro de servicio.

1. Abra el embalaje.
2. Lea la documentación que se encuentra en la caja.
3. Retire todas las piezas sin montar de la caja.
4. Retire la máquina de la caja.
5. Deseche la caja y el material de embalaje de conformidad con los reglamentos locales.

▲ AVISO

Por su seguridad personal, no inserte la batería antes de haber montado la herramienta por completo.

3 INSTALACIÓN

3.1 INSTALACIÓN DEL ASIENTO

Véase la figura 3

1. Coloque el conjunto del asiento sobre el panel del asiento y alinee los orificios como se muestra.
2. Instale los pernos, las arandelas y las tuercas y apriete firmemente.
3. Conecte los manguitos a las tuercas.
4. Asegúrese de que quede firmemente asentado.
5. Conecte el conector del asiento a la máquina.

3.2 INSTALACIÓN DE LA CUBIERTA DE MULCHING

Véase la figura 4

El cortacésped está configurado para la descarga lateral cuando se envía. Si desea utilizarlo para hacer mulching:

1. Coloque la cubierta de mulching sobre la pestaña de la carcasa del cortacésped.
2. Alinee los orificios de la cubierta de mulching y los orificios de la carcasa del cortacésped.
3. Instale y apriete los pernos, los tornillos, las abrazaderas de fijación y la corona de apoyo como se muestra.

3.3 INSTALACIÓN DE LA PALANCA DE CONTROL DE DIRECCIÓN

Véase la figura 5-6

▲ AVISO

Las palancas de control de dirección izquierda y derecha deben ajustarse de manera que se alineen entre sí cuando estén en la posición de punto muerto. NUNCA instale las palancas de dirección a una altura de funcionamiento asimétrica.

1. Levante una palanca de control de dirección para alinear los orificios de la palanca con los orificios del poste de montaje correspondiente.
2. Seleccione la altura de funcionamiento de la palanca de dirección de su preferencia. Inserte el tornillo junto con la arandela en el orificio.
3. Utilice la llave (13*16 mm) para fijar la palanca de dirección.

- Monte la otra palanca de control dirección de la misma manera.

▲ PRECAUCIÓN

No instale la palanca de control dirección al revés.

3.3.1 PALANCAS DE CONTROL DE DIRECCIÓN

Las dos palancas controlan la velocidad, la dirección, la parada, el bloqueo en punto muerto y el freno de estacionamiento del cortacésped. Las palancas se utilizan para dirigir, acelerar, decelerar, detener y cambiar de dirección. Cuando las palancas de control estén en la posición del freno de estacionamiento, el cortacésped no se moverá.

i NOTA

Conduzca siempre con ambas manos. No conduzca con una sola mano.

3.3.2 UTILIZACIÓN DE LA APLICACIÓN

Véase la figura 9-10

- Visite el sitio web de Fleet Management: fleet.cramertools.com
- Cree una cuenta y, posteriormente, inicie sesión.
- Invite a otros usuarios de su organización.
- Escanee el código QR, descargue la aplicación e inicie sesión.
- Añada un dispositivo. Busque en este manual el número de serie, el código de emparejamiento y el código QR en la etiqueta correspondiente del vehículo. Escanee el código QR o tecléelo manualmente.

3.4 MANDO DE DERIVACIÓN DE PUNTO MUERTO

Véase la figura 7-8

- Tire hacia fuera de los mandos de derivación de punto muerto y, posteriormente, hacia abajo para desbloquear la rueda.
- Mueva los mandos de derivación de punto muerto en su posición para bloquear las ruedas.

▲ AVISO

Nunca conduzca el cortacésped cuando el mando de derivación de punto muerto esté funcionando. ¡Instale siempre el mando de derivación de punto muerto en su posición original antes de conducir! ¡En caso de no reinstalar el mando, podrían producirse daños graves en el cortacésped, lo que anularía la garantía de este!

▲ AVISO

¡Nunca desbloquee el mando de derivación de punto muerto cuando la máquina esté trabajando en pendiente!

3.5 RUEDAS ANTI-CALVAS

Véase la figura 2

Los kits de las ruedas anti-calvas vienen de serie en las unidades Cramer. Estas ruedas anti-calvas se han diseñado para minimizar las calvas al segar en terrenos difíciles e irregulares. Tras ajustar la altura de corte, ajuste las ruedas anti-calvas para que se extiendan por debajo de la plataforma, pero no toquen el suelo. Siempre deben estar al menos entre 0,6 cm y 1,9 cm por debajo de la plataforma. Con la unidad asentada sobre una superficie plana a nivel, la posición de la rueda puede ajustarse hacia arriba o abajo según sea necesario desde 1,9 cm a 4,4 cm por debajo de la superficie de la cuchilla. Mueva las ruedas hacia arriba o abajo, utilizando los diferentes orificios de montaje del eje en el soporte de montaje de la rueda (si corresponde en el modelo).

4 INSTRUCCIONES DE FUNCIONAMIENTO

4.1 ANTES DEL FUNCIONAMIENTO

4.1.1 AJUSTE DEL ASIENTO

Véase la figura 11

▲ AVISO

Asegúrese de que la base del asiento esté bien sujeta con pernos antes de cada uso para evitar que el asiento se mueva/incline en caso de inclinación o vuelco del cortacésped.

1. Empuje las palancas de control de dirección hacia fuera en la posición del FRENO DE ESTACIONAMIENTO antes de ajustar el asiento.
2. Siéntese en el asiento y levante la palanca de ajuste del asiento.
3. Mientras sujeta la palanca, deslice el asiento hacia la posición deseada.
4. Suelte la palanca y asegúrese de que el asiento esté bloqueado en su posición antes de manejar el cortacésped.

▲ AVISO

Asegúrese de que el asiento esté bloqueado en su posición antes de manejar el cortacésped. Un asiento que no es seguro puede hacer que el operario cambie de posición y pierda el control del cortacésped, lo que podría provocar lesiones personales graves o incluso la muerte.

4.1.2 AJUSTE DE LA ALTURA DE LA PLATAFORMA DE CORTE

Véase la figura 12

Antes de utilizar el cortacésped, eleve la altura de la plataforma a la posición de corte más adecuada para su césped.

La altura de la plataforma es ajustable desde 3.81-11.4 cm. La plataforma debe estar elevada durante el corte para evitar tocones, piedras u otros obstáculos que podrían dañar la plataforma del cortacésped.

▲ PRECAUCIÓN

Sostenga firmemente la palanca de ajuste de altura de la plataforma cuando ajuste la altura de la plataforma y suéltela únicamente cuando esté fijada en la ranura deseada. Si suelta rápidamente la palanca puede generarse un riesgo de pellizco o de arrastre de la mano del operario.

1. Detenga el cortacésped y desacople las cuchillas.
2. Gire la llave a la posición de apagado y aplique el freno de estacionamiento.
3. Para elevar la plataforma de corte, agarre la palanca de ajuste de altura de la plataforma, empuje hacia la izquierda para desacoplar de la ranura, mueva hacia la parte posterior del cortacésped, posteriormente, empuje hacia la derecha en la ranura para fijarla.
4. Para bajar la plataforma de corte, agarre la palanca de ajuste de altura de la plataforma, empuje hacia la izquierda para desacoplar de la ranura, mueva hacia la parte delantera del cortacésped, posteriormente, empuje hacia la derecha en la ranura para fijarla.

4.1.3 AJUSTE DE LA PALANCA DE CONTROL DE DIRECCIÓN

Las palancas de control de dirección pueden ajustarse para mayor comodidad del operario. Al aflojar los tornillos que fijan la palanca de control superior a la palanca de control inferior, la palanca de control superior puede articularse para adaptarse a las preferencias personales del operario. Las palancas de control de dirección deben ajustarse de manera que se alineen entre sí cuando estén en la posición de punto muerto.

4.1.4 INSTALACIÓN DE LA BATERÍA

Véase la figura 13

Para verificar que las baterías del cortacésped están totalmente cargadas, compruebe el indicador de nivel de batería. Consulte el manual de la batería para obtener más información.

1. Levante el panel del asiento.
2. Levante la cubierta del compartimento de la batería.
3. Instale la batería en el compartimento de la batería.

▲ AVISO

Alinee las nervaduras de la batería con el puerto de la batería. Asegúrese de que el cierre de la batería encaje con suavidad en el compartimento de la batería.

4.1.5 ANTES DE MANEJAR LA MÁQUINA

- Asegúrese de que no haya niños, transeúntes ni mascotas en la zona de trabajo.
- Limpie la zona de trabajo de objetos que podrían salir proyectados por las cuchillas del cortacésped.
- Compruebe el funcionamiento del freno.
- Compruebe la presión de los neumáticos.
- Compruebe si hay elementos de fijación flojos.
- Compruebe que todas las protecciones estén en su posición y funcionen correctamente.
- Limpie los residuos del cortacésped.
- Pruebe el sistema de interbloqueo de seguridad.
- Ajuste el asiento en la posición deseada.
- Verifique el nivel de carga de la batería.

4.1.6 SISTEMA DE INTERBLOQUEO DE ARRANQUE DE SEGURIDAD

La máquina está equipada con un sistema de interbloqueo de arranque de seguridad que consta de los interruptores del freno de estacionamiento, el interruptor de presencia del operario y el interruptor de encendido y apagado de las cuchillas de la plataforma.

El sistema de interbloqueo de arranque de seguridad del cortacésped también se ha diseñado para proteger al operario y a otras personas de lesiones accidentales debidas a un arranque involuntario del sistema de transmisión de tracción.

Compruebe el sistema de interbloqueo de arranque de seguridad del cortacésped diariamente, antes del funcionamiento. Este sistema es una característica de seguridad importante del cortacésped. Debe repararse inmediatamente en caso de fallo. La máquina incorpora un interruptor de presencia del operario independiente que detendrá el sistema de transmisión y los motores de la plataforma cuando el operario se levante por cualquier motivo mientras el cortacésped está en funcionamiento. Esta es una característica de seguridad diseñada para evitar el descontrol o un enredo accidental.

▲ AVISO

El sistema de interbloqueo de seguridad no debe desconectarse ni derivarse. De hacerlo, la máquina podría funcionar de forma inesperada y provocar lesiones personales.

Para inspeccionar el sistema:

1. El operario debe estar en el asiento al probar el interruptor de presencia del operario.
2. Gire la llave para poner en marcha la máquina.
3. Lleve las palancas de control de dirección a las ranuras de estacionamiento.
4. Tire hacia arriba del interruptor de toma de fuerza (PTO) para acoplar el motor.
5. Levántese lentamente del asiento. El sistema de cuchillas de la plataforma debería detenerse.
6. Si el sistema de cuchillas de la plataforma no se detiene cuando el operario se levanta del asiento y no puede determinarse la causa, contacte inmediatamente con el distribuidor de Cramer.

4.2 FUNCIONAMIENTO DE LA MÁQUINA

4.2.1 PUESTA EN MARCHA DE LA MÁQUINA

Véase la figura 14

¡ NOTA

Mantenga la zona libre de transeúntes antes de manejar el cortacésped. Si alguien entra en la zona de corte, deténgase inmediatamente y no vuelva a segar hasta que los transeúntes abandonen la zona.

1. Levante la plataforma del cortacésped a su posición más alta.
2. Inserte la llave de arranque y gírela a la posición de encendido.
3. Tire de las palancas de control de dirección derecha e izquierda hacia dentro.
4. Tire hacia arriba del interruptor PTO de la plataforma para poner en marcha las cuchillas para segar.

i NOTA

¡Las cuchillas deben acoplarse únicamente cuando las palancas de control de dirección estén en la posición de PUNTO MUERTO! ¡NUNCA acople las cuchillas cuando esté segando!

5. Sitúe las palancas de control de dirección en la posición de marcha hacia delante (D) y conduzca hasta la zona de corte deseada.

i NOTA

Tenga cuidado al cruzar sobre caminos o senderos de grava. Antes de cruzar, desacople las cuchillas y levante la plataforma de corte a la posición más alta para minimizar la posibilidad de rebote. Conduzca lentamente para evitar la pérdida de tracción y de control.

i NOTA

No intente cambiar la dirección de funcionamiento mientras el cortacésped esté en movimiento. Deténgase siempre por completo antes de cambiar la dirección del cortacésped.

i NOTA

Las palancas de control de dirección volverán a la posición de punto muerto si las suelta, pero aún debe controlarlas manualmente para alcanzar dicha posición.

4.2.2 CONDUCCIÓN DE LA MÁQUINA

Después de arrancar el sistema de transmisión de tracción, acople las palancas de control de dirección y dirija de la siguiente manera:

▲ AVISO

Esté siempre atento a lo que hay detrás de la máquina antes de dar marcha atrás. No siegue marcha atrás a menos que sea absolutamente necesario. Mire siempre hacia abajo y hacia atrás antes y durante la marcha atrás.

▲ AVISO

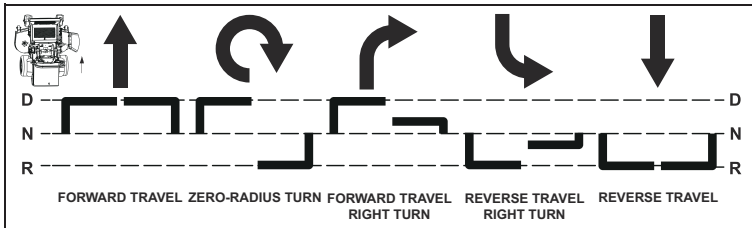
No se recomienda el movimiento rápido de las palancas de control de dirección, ya que pueden producirse daños en los componentes del sistema eléctrico.

- **Para ir marcha hacia delante**, empuje las palancas de control de dirección hacia delante una distancia equivalente.
- **Para ir marcha atrás**, tire de las palancas de control de dirección hacia atrás una distancia equivalente.
- **Para girar a la izquierda**, mueva la palanca de control de dirección derecha más hacia delante del punto muerto que la palanca de control de dirección izquierda.
- **Para girar a la derecha**, mueva la palanca de control de dirección izquierda más hacia delante del punto muerto que la palanca de control de dirección derecha.
- **Para realizar un giro de radio cero**, mueva una palanca de control de dirección hacia delante y la otra palanca de control de dirección hacia atrás. Esto permitirá que las ruedas de tracción hagan un contragiro.
- **Para detenerse o disminuir la velocidad**, mueva las palancas de control de dirección al punto muerto. Cuando vaya marcha hacia delante, tire hacia atrás suavemente de las palancas de control de dirección. Cuando vaya marcha atrás, empuje hacia delante suavemente las palancas de control de dirección.
- **Para una parada de emergencia**, pueden emplearse dos métodos:
 - Al desplazarse marcha hacia delante o marcha atrás, sitúe las palancas de control de dirección en la posición del freno de estacionamiento inmediatamente. Cuando se mueva marcha atrás, empuje hacia delante suavemente las palancas de control de dirección y evite movimientos bruscos. Cualquier movimiento súbito podría hacer que la parte delantera del cortacésped se levante del suelo, lo que daría lugar a una posible pérdida de control, que podría provocar lesiones graves o incluso la muerte.
 - Gire la llave de arranque a la posición de apagado. Esto apagará el sistema de transmisión de tracción y el sistema de transmisión de la plataforma.
- **Para hacer un giro de tres puntos a la derecha**, mueva la palanca de control de dirección izquierda más hacia delante del punto muerto que la palanca de control de dirección derecha e inicie el giro. A continuación, tire hacia atrás de las palancas de control de dirección hasta que pasen el punto muerto y la máquina empiece

a retroceder. Tire de la palanca de control de dirección derecha más hacia atrás del punto muerto que la palanca de control de dirección izquierda hasta que la parte trasera de la máquina haya girado. A continuación, empuje las palancas de control de dirección hacia delante hasta que ambas pasen el punto muerto y la máquina empiece a avanzar. Empuje la palanca de control de dirección izquierda más hacia delante del punto muerto que la palanca de control de dirección derecha y termine el giro.

- **Para aumentar la velocidad**, aumente la distancia de la palanca de control de dirección del punto muerto. Cuanto más lejos hacia delante estén las palancas de control de dirección del punto muerto, más rápido se desplazará la máquina marcha hacia delante. Cuanto más lejos hacia atrás estén las palancas de control de dirección del punto muerto, más rápido se desplazará la máquina marcha atrás.

LA PARTE DELANTERA DEL CORTACÉSPED ESTÁ ORIENTADA EN ESTA DIRECCIÓN



N= POSICIÓN DE PUNTO MUERTO D= POSICIÓN DE CONDUCCIÓN R= POSICIÓN DE MARCHA ATRÁS

El sentido de las flechas indica la dirección de movimiento del cortacésped



Palanca de control de dirección izquierda
Palanca de control de dirección derecha

4.2.3 DETENCIÓN DE LA MÁQUINA

▲ PELIGRO

Nunca haga paradas repentinas ni dé marcha atrás, especialmente cuando maniobre en una pendiente. La dirección se ha diseñado para una respuesta sensible. El movimiento rápido de las palancas de control de dirección en cualquier dirección podría ocasionar una reacción de la máquina que puede producir lesiones graves.

1. Devuelva las palancas de control de dirección a la posición de punto muerto. Empuje las palancas de control de dirección hacia fuera a la posición del freno de estacionamiento.
2. Empuje hacia abajo el interruptor de encendido/apagado (PTO) de las cuchillas de la plataforma para apagar las cuchillas.
3. Gire la llave en el interruptor de encendido a la posición de apagado.

▲ PRECAUCIÓN

Se recomienda retirar la llave de arranque de la máquina para evitar un arranque accidental de la misma.

4.2.4 USO DEL PUERTO USB

Véase la figura 15

El puerto de carga USB ofrece una potencia de carga de 5 V CC hasta 2,1 A para su teléfono móvil, reproductor MP3 u otros dispositivos USB. Consulte el manual del propietario de su dispositivo para conocer los requisitos de carga específicos.

Conecte un extremo de un cable USB (no incluido) a su dispositivo y el otro extremo al puerto de carga USB del cortacésped, para comenzar a cargar su dispositivo.

Español

¡ NOTA

Si intenta cargar dispositivos con un valor nominal superior a 2,1 A podría dañar el puerto de carga USB o el cortacésped.

¡ NOTA

El puerto USB solo recibe alimentación cuando la máquina se pone en marcha.

▲ AVISO

Nunca utilice auriculares ni cualquier otro dispositivo electrónico, como un smartphone o tablet, mientras maneja el cortacésped. En caso de distracción durante el funcionamiento puede sufrir un accidente que podría provocar lesiones personales graves o incluso la muerte al operario o a un transeúnte.

4.2.5 SUGERENCIAS DE FUNCIONAMIENTO

▲ PELIGRO

Antes del funcionamiento, el operario debe familiarizarse por completo con el uso y el funcionamiento adecuados del equipo, debe leer el manual detenida y exhaustivamente, y debe haber realizado maniobras a velocidad baja para familiarizarse con el funcionamiento del equipo antes de intentar el funcionamiento a velocidad normal. Un operario inexperto no debe segar en pendientes ni en terrenos irregulares.

▲ AVISO

Si pierde el control de la dirección mientras maneja la máquina, sitúe las palancas de control de dirección en la posición del freno de estacionamiento inmediatamente y gire la llave a la posición de apagado. Inspeccione la máquina y consulte a su distribuidor de Cramer para solucionar el problema antes de continuar con el uso.

▲ AVISO

Las palancas de control de dirección de la unidad son muy sensibles. Para un funcionamiento fluido, mueva las palancas lentamente, evitando movimientos bruscos. La habilidad y la facilidad de manejo se obtienen mediante la práctica y la experiencia. La máquina puede girar muy rápidamente. Tenga precaución al hacer giros y ralentice antes de dar una curva cerrada.

Los operarios inexpertos pueden tener tendencia a sobrevirar y perder el control. Se recomiendan maniobras de práctica a velocidad baja para familiarizarse con estas características antes de intentar el funcionamiento a velocidad normal.

▲ AVISO

Las depresiones pronunciadas o los obstáculos elevados (como alcantarillas o bordillos) no deben abordarse directamente a alta velocidad en un intento de "saltarlos", ya que el operario podría salir despedido del equipo. Acérquese a velocidad lenta e sitúe una rueda de tracción en ángulo hacia la obstrucción. Continúe en ángulo hasta que la rueda pase y, a continuación, gire la rueda contraria.

Al girar sobre césped blando o húmedo, mantenga ambas ruedas rodando hacia delante o atrás. Un giro en una rueda parada puede dañar el césped. Mantenga las cuchillas afiladas. Muchos problemas con patrones de corte incorrectos se deben a cuchillas desafiladas o cuchillas que no se han afilado correctamente. Debe comprarse a diario el afilado de la cuchilla.

▲ PELIGRO

Nunca trabaje con las cuchillas mientras la llave esté en el interruptor de encendido. Sitúe siempre el interruptor de encendido/apagado (PTO) de las cuchillas de la plataforma en la posición desacoplada, sitúe las palancas de control de dirección en la posición del freno de estacionamiento, gire la llave a la posición de apagado y retire la llave del interruptor. Bloquee el cortacésped cuando deba trabajar debajo de este. Lleve guantes al manipular las cuchillas. Compruebe siempre que la cuchilla no esté dañada si el cortacésped golpea una piedra, una rama u otro objeto extraño al segar.

- **Dirija la descarga de hierba a la derecha**, lejos de la zona sin segar. Seleccione un patrón de corte que dirija la descarga de hierba hacia el exterior de la zona de corte. Normalmente, esto significa emplear un patrón con giros a la izquierda porque la descarga lateral está a la derecha. En cualquier caso, evite lanzar la descarga de hierba hacia la zona sin segar porque, entonces, esta se cortará "dos veces". Segar dos veces supone una carga innecesaria para la unidad y reduce la eficiencia de corte.
- **Al cortar un césped por primera vez**, corte la hierba un poco más larga de lo habitual para evitar calvas irregulares en el terreno. Cuando sea posible, es mejor utilizar la altura de corte que se haya utilizado en ocasiones anteriores. Cuando corte hierba con una altura superior a 152 mm (6"), es conveniente hacer dos pasadas para lograr una mejor calidad de corte.
- **Durante el corte normal**, corte solo aproximadamente 38 mm (1,5") de la brizna de hierba. No se recomienda cortar más que eso, a menos que la hierba sea escasa o sea el final de la temporada de corte.
- **Alterne el patrón de corte entre cada corte** para mantener el césped recto y que haya una mejor dispersión de los recortes.
- **Recuerde, el césped crece a distintas velocidades** en las distintas épocas del año. Corte el césped con más frecuencia a principios de la primavera para mantener la misma altura de corte. A medida que la velocidad de crecimiento disminuya a mediados del verano, corte con menos frecuencia. Si no puede cortar a intervalos regulares, siegue a una altura de corte alta al principio y, posteriormente, vuelva a segar tras un par de días a una altura de corte más baja.
- **Aumente la altura de corte del cortacésped** si la anchura de corte del cortacésped es más ancha que la del cortacésped empleado con anterioridad. Esto garantiza que el césped irregular no quede demasiado corto.
- **Aumente la altura de corte del cortacésped** si la hierba es ligeramente más alta de lo habitual o si contiene un grado elevado de humedad. Posteriormente, siegue de nuevo con la altura de corte fijada más abajo.
- **Si es necesario detener el movimiento de avance de la máquina** mientras corta el césped, es posible que un pedregal de césped cortado caiga sobre el césped. Para evitarlo, muévase a una zona previamente cortada con las cuchillas acopladas.
- **Cargue la batería inmediatamente** si la energía de la batería de la máquina es inferior al 5%.

Nº de modelo	Capacidad de la batería	Acción	Capacidad de la batería	Acción
82ZT107	≤5%	La velocidad de conducción máxima será de 6.4 km/h.	≤5%	La cuchilla en funcionamiento se detendrá automáticamente. La unidad debe devolverse inmediatamente a la zona de carga de la batería y debe conectarse al cargador de la batería.

- **Deje que los motores se enfrien durante 30 minutos.** Si el motor de propulsión supera la temperatura programada, la velocidad del motor disminuirá. Si la temperatura sigue aumentando, el motor se apagará a una temperatura programada más alta.

4.2.6 FUNCIONAMIENTO EN PENDIENTES

Véase la figura 16

Las pendientes son un factor principal relacionado con la pérdida de control y los accidentes por vuelcos, que pueden provocar lesiones graves o incluso la muerte. Durante el funcionamiento en cualquier pendiente, es necesario tomar precauciones adicionales. Si no puede retroceder por la pendiente o si se siente incómodo en ella, no la siegue.

- En las pendientes, circule en la dirección recomendada por el fabricante. Tenga cuidado al trabajar cerca de desniveles.
- No utilice la máquina en condiciones en las que se cuestione la tracción, la dirección o la estabilidad. Los neumáticos podrían resbalar, aunque las ruedas estén paradas.
- Cuando descienda una pendiente, lleve siempre una marcha puesta. No descienda en punto muerto.
- Extreme las precauciones cuando trabaje en pendientes.
- No retire ni modifique las ruedas.

- Observe si hay agujeros, surcos, baches, piedras u otros objetos ocultos. El terreno irregular puede provocar el vuelco de la máquina. La hierba alta puede ocultar obstáculos.
- Elimine los obstáculos como piedras, ramas de árboles, basura, etc.
- Todos los movimientos en pendientes deben ser lentos y graduales. No realice cambios bruscos de velocidad o dirección.
- Evite arrancar y parar en una pendiente. Si los neumáticos pierden tracción, desacople las cuchillas y avance lentamente en dirección descendente por la pendiente.
- Siegue a una distancia segura (mínimo de 3 m (10 pies)) de desniveles, muros de contención, zanjas de drenaje, terraplenes, agua y otros tipos de riesgos para evitar que una rueda alcance el borde o el terreno del borde ceda. Esto reducirá el riesgo de vuelco inesperado de la máquina, que podría provocar lesiones graves o incluso la muerte.
- Utilice un cortacésped convencional de empuje o un cortabordes manual en pendientes y cerca de desniveles, muros de contención, zanjas de drenaje, terraplenes y agua.
- No siegue hierba mojada. La reducción de tracción podría provocar deslizamientos y la pérdida del control de la dirección.
- No remolque en pendientes. El peso del equipo remolcado puede provocar la pérdida de tracción y control.
- Si los neumáticos del cortacésped pierden tracción al funcionar en pendientes, desacople la transmisión de la plataforma, sitúe las palancas de control de dirección en la posición del freno de estacionamiento, gire la llave de arranque a la posición de apagado, retire la llave y busque ayuda.
- Nunca realice arranques, paradas, giros o inversiones de dirección con brusquedad, especialmente cuando maniobre en pendientes. La dirección se ha diseñado para una respuesta sensible. El movimiento rápido de las palancas de control de dirección en cualquier dirección podría ocasionar una reacción de la máquina que puede producir lesiones graves.
- Nunca se detenga repentinamente al retroceder en pendientes. Esta acción puede dar lugar a una reacción de la máquina que puede producir lesiones físicas graves.
- El cortacésped Cramer es capaz de funcionar en horizontal (transversalmente) en pendientes moderadas. Cuando trabaje en pendientes de hasta 15 grados, tenga cuidado con cualquier condición que pueda hacer que los neumáticos de tracción del cortacésped pierdan tracción, lo que puede dar lugar a una posible pérdida de control de la máquina. Un operario no debe trabajar en pendientes hasta que no esté familiarizado por completo con el equipo.

No trabaje en pendientes superiores a 15 grados.

Consulte la Guía de pendientes para determinar el grado de inclinación a segar. Se recomienda encarecidamente que el operario conduzca la máquina fuera de la pendiente, con suma precaución, si se detecta cualquier señal de pérdida de tracción. Espere hasta que se solucione la condición que ha ocasionado el problema antes de intentar trabajar de nuevo en la pendiente. Las condiciones del terreno pueden afectar a la tracción, con la consiguiente pérdida de control de la máquina. Algunas de las condiciones que deben tenerse en cuenta son:

1. Terreno mojado
2. Depresiones en el terreno (p. ej., agujeros, surcos, inundaciones)
3. Montones de tierra
4. Ciertos tipos de suelo (p. ej., arena, tierra suelta, gravilla, arcilla)
5. Tipo, densidad y altura de hierba
6. Condiciones de sequía extrema
7. Presión de los neumáticos

Los accesorios montados en el cortacésped también afectarán al modo en que se maneja en una pendiente. Tenga en cuenta que las características de cada accesorio son distintas.

Estos son tan solo algunos ejemplos de situaciones en las que debe tenerse precaución al trabajar en una pendiente. Hay muchas más posibilidades, demasiado numerosas para mencionar aquí. Recuerde que siempre deben extremarse las precauciones al trabajar en pendientes.

5 SISTEMA ELÉCTRICO

5.1 SEGURIDAD DEL SISTEMA ELÉCTRICO

- Retire la llave y las baterías, y lea el manual del propietario antes de ajustar o reparar la unidad.

- Retire siempre la llave y las baterías antes de trabajar en esta unidad.
- Retire siempre la llave y las baterías al transportar la unidad.
- Mantenga la unidad limpia de recortes de hierba, hojas y otros residuos. NO pulverice agua para limpiar la unidad. Utilice únicamente aire comprimido. Lleve protección ocular y auditiva adecuada al limpiar la unidad.
- Lleve siempre gafas de seguridad y equipos de protección cerca de la batería. Utilice herramientas aisladas.
- Limpie el compartimento de la batería, el compartimento del motor de propulsión, la plataforma del cortacésped, el asiento, etc., de toda la tierra y los residuos. No utilice disolventes, limpiadores agresivos o abrasivos.
- Con la llave en la posición de encendido, la cuchilla del cortacésped puede acoplarse cuando se acciona el interruptor de encendido/apagado (PTO) de las cuchillas de la plataforma, incluso si el motor de propulsión no está en funcionamiento. Mantenga la zona libre de transeúntes al accionar el interruptor de encendido/apagado de las cuchillas de la plataforma.
- Todas las zonas de mantenimiento y almacenamiento deben estar debidamente ventiladas de acuerdo con los códigos y las ordenanzas aplicables en materia de incendios para evitar los riesgos de incendio.
- Nunca permita la presencia de llamas, chispas ni fume cerca de las baterías.
- Mantenga las baterías fuera del alcance de los niños.
- Mantenga siempre las protecciones, cubiertas y protectores en su posición y bien fijados. Si resultan dañados, repare o sustituya inmediatamente. Nunca modifique ni retire los dispositivos de seguridad.

5.2 INFORMACIÓN DEL SISTEMA ELÉCTRICO

El cortacésped de Cramer recibe alimentación de un sistema eléctrico de 82 voltios. Consta de los siguientes componentes:

1. Controlador de cuchilla (1)
2. Motor de cuchilla (2)
3. Controlador de transmisión (1)
4. Acelerador - derecho (1)
5. Acelerador - izquierdo (1)

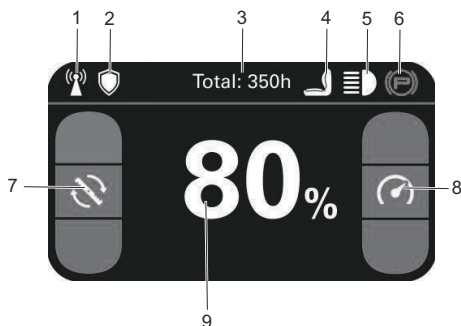
6 ERRORES

El sistema CANBUS emprenderá acciones para proteger al usuario y la máquina cuando detecte un problema. Cuando se apague la máquina o un componente, se indicará que se ha producido un error y dicho error se mostrará en la pantalla digital. Todos los errores eléctricos tienen un código de letra seguida por un número. La primera letra describe el sistema que ha generado el error de acuerdo con la siguiente tabla:

6. Pantalla digital (1)
7. Motor de rueda (2)
8. Batería (1)

5.3 PANTALLA DIGITAL

La función de la pantalla digital, que se encuentra en el panel de control, es ofrecer información del sistema eléctrico al operario. Ofrece información detallada en forma de patrones, códigos y números.



#	Nombre	Función
1		Señal GPS 4G
2		GreenShield
3	Total : 350h	Tiempo de funcionamiento del vehículo
4		El interruptor del asiento está cerrado.
5		Luces LED
6		El freno de estacionamiento está aplicado.
7		Velocidad de la cuchilla
8		Velocidad de conducción
9	80%	Porcentaje de batería

Nombre	Significado
TR	Controlador y motor de propulsión derecho
TL	Controlador y motor de propulsión izquierdo
PMU	Unidad de gestión de alimentación (en la cabina de la batería)
ML	Controlador del motor de la cuchilla izquierda
MR	Controlador del motor de la cuchilla derecha

6.1 CÓDIGO DE ERROR

Código de error	Descripción	Solución
TR1	Error de posicionamiento del motor	Reinicie el suministro de alimentación.
TR2	Motor de propulsión calado	Compruebe si las ruedas de tracción están obstruidas y reinicie el suministro de alimentación.
TR3	Protección de velocidad baja del motor	Reinicie el suministro de alimentación.
TR4	Protección de sobrevelocidad del motor	Reinicie el suministro de alimentación.
TR5	Error del sensor Hall del motor	Compruebe que el conector de efecto Hall del controlador de transmisión esté correctamente conectado y, posteriormente, reinicie el suministro de alimentación.
TR6	Fase del controlador perdida	Compruebe que los cables del motor del controlador de transmisión estén correctamente conectados y, posteriormente, reinicie el suministro de alimentación.
TR7	Error de circuito abierto de MOS-FET	Si encuentra este problema, contacte con su distribuidor para obtener una solución.
TR8	Infratensión del controlador	La tensión es demasiado baja. Cargue la batería antes del uso.
TR9	Sobretensión del controlador	La tensión es demasiado alta. Reinicie el suministro de alimentación.
TR10	Temperatura baja de la batería	La temperatura del compartimento de la batería y de la batería es demasiado baja. Utilice la máquina a una temperatura adecuada y reinicie el suministro de alimentación.
TR11	Sobretemperatura de PMU Temperatura alta de la batería	La temperatura del compartimento de la batería y de la batería es demasiado alta. Espere que la batería se enfríe y, posteriormente, reinicie el suministro de alimentación.
TR12	Sobretemperatura del motor	La temperatura del motor es demasiado alta. Espere que el motor se enfríe y, posteriormente, reinicie el suministro de alimentación.
TR13	Sobretemperatura del controlador	La temperatura del controlador es demasiado alta. Espere que el controlador se enfríe y, posteriormente, reinicie el suministro de alimentación.
TR14	Sobrecorriente del software	La carga es demasiado alta. Reinicie el suministro de alimentación.
TR15	Sobrecorriente del hardware	La carga es demasiado alta. Reinicie el suministro de alimentación.
TR16	Error del controlador de velocidad	Compruebe que el controlador de velocidad del asa esté conectado correctamente y, posteriormente, reinicie el suministro de alimentación.
TR17	Error de precarga del controlador	Reinicie el suministro de alimentación.
TR18	Error del freno	Reinicie el suministro de alimentación.
TR19	Error de secuencia de funcionamiento	Sitúe las asas izquierda y derecha en la posición de estacionamiento, y el interruptor de arranque de las cuchillas en la posición de apagado. Vuelva a sentarse en el asiento e inténtelo de nuevo.
TR20	Error del sensor de ángulo	Reinicie el suministro de alimentación.

Código de error	Descripción	Solución
TR21	Error del relé	Reinicie el suministro de alimentación.
TR22	Error de válvula magnética	Compruebe que la válvula de solenoide del motor de propulsión esté conectada correctamente y, posteriormente, reinicie el suministro de alimentación.
TR23	Fallo de comunicación del compartimento de la batería (PMU)	Fallo de comunicación con el compartimento de la batería. Reinicie el suministro de alimentación.
TR24	Fallo del compartimento de la batería (PMU)	Error leve/grave en el compartimento de la batería. Realice una comprobación y reinicie el suministro de alimentación.
TR25	Error de tiempo de espera CAN - transmisión izquierda	Fallo de comunicación con el controlador de la transmisión izquierda. Reinicie el suministro de alimentación.
TR26	Error de tiempo de espera CAN - transmisión derecha	Fallo de comunicación con el controlador de la transmisión derecha. Reinicie el suministro de alimentación.
TR27	Error de tiempo de espera CAN - cuchilla izquierda	Fallo de comunicación con el controlador de la cuchilla izquierda. Reinicie el suministro de alimentación.
TR28	Error de tiempo de espera CAN - cuchilla central	Fallo de comunicación con el controlador de la cuchilla central. Reinicie el suministro de alimentación.
TR29	Error de tiempo de espera CAN - cuchilla derecha	Fallo de comunicación con el controlador de la cuchilla derecha. Reinicie el suministro de alimentación.
TR30	Error de la cubierta del compartimento de la batería	Compruebe que el conector situado debajo del asiento esté conectado correctamente y, posteriormente, reinicie el suministro de alimentación.
TR31	Error de verificación del interruptor de presencia del operario	Compruebe que el conector situado debajo del asiento esté conectado correctamente y, posteriormente, reinicie el suministro de alimentación.
TR32	Error de autenticación de software	Reinicie el suministro de alimentación.
TL1	Error de posicionamiento del motor	Reinicie el suministro de alimentación.
TL2	Motor de propulsión calado	Compruebe si las ruedas de tracción están obstruidas y reinicie el suministro de alimentación.
TL3	Protección de velocidad baja del motor	Reinicie el suministro de alimentación.
TL4	Protección de sobrevelocidad del motor	Reinicie el suministro de alimentación.
TL5	Error del sensor Hall del motor	Compruebe que el conector de efecto Hall del controlador de transmisión esté correctamente conectado y, posteriormente, reinicie el suministro de alimentación.
TL6	Fase del controlador perdida	Compruebe que los cables del motor del controlador de transmisión estén correctamente conectados y, posteriormente, reinicie el suministro de alimentación.
TL7	Error de circuito abierto de MOS-FET	Si encuentra este problema, contacte con su distribuidor para obtener una solución.
TL8	Infratensión del controlador	La tensión es demasiado baja. Cargue la batería antes del uso.
TL9	Sobretensión del controlador	La tensión es demasiado alta. Reinicie el suministro de alimentación.
TL10	Temperatura baja de la batería	La temperatura del compartimento de la batería y de la batería es demasiado baja. Utilice la máquina a una temperatura adecuada y reinicie el suministro de alimentación.

Código de error	Descripción	Solución
TL11	Sobret temperatura de PMU Temperatura alta de la batería	La temperatura del compartimento de la batería y de la batería es demasiado alta. Espere que la batería se enfríe y, posteriormente, reinicie el suministro de alimentación.
TL12	Sobret temperatura del motor	La temperatura del motor es demasiado alta. Espere que el motor se enfríe y, posteriormente, reinicie el suministro de alimentación.
TL13	Sobret temperatura del controlador	La temperatura del controlador es demasiado alta. Espere que el controlador se enfríe y, posteriormente, reinicie el suministro de alimentación.
TL14	Sobrecorriente del software	La carga es demasiado alta. Reinicie el suministro de alimentación.
TL15	Sobrecorriente del hardware	La carga es demasiado alta. Reinicie el suministro de alimentación.
TL16	Error del controlador de velocidad	Compruebe que el controlador de velocidad del asa esté conectado correctamente y, posteriormente, reinicie el suministro de alimentación.
TL17	Error de precarga del controlador	Reinicie el suministro de alimentación.
TL18	Error del freno	Reinicie el suministro de alimentación.
TL19	Error de secuencia de funcionamiento	Sitúe las asas izquierda y derecha en la posición de estacionamiento, y el interruptor de arranque de las cuchillas en la posición de apagado. Vuelva a sentarse en el asiento e inténtelo de nuevo.
TL20	Error del sensor de ángulo	Reinicie el suministro de alimentación.
TL21	Error del relé	Reinicie el suministro de alimentación.
TL22	Error de válvula magnética	Compruebe que la válvula de solenoide del motor de propulsión esté conectada correctamente y, posteriormente, reinicie el suministro de alimentación.
TL23	Fallo de comunicación del compartimento de la batería (PMU)	Fallo de comunicación con el compartimento de la batería. Reinicie el suministro de alimentación.
TL24	Fallo del compartimento de la batería (PMU)	Error leve/grave en el compartimento de la batería. Realice una comprobación y reinicie el suministro de alimentación.
TL25	Error de tiempo de espera CAN - transmisión izquierda	Fallo de comunicación con el controlador de la transmisión izquierda. Reinicie el suministro de alimentación.
TL26	Error de tiempo de espera CAN - transmisión derecha	Fallo de comunicación con el controlador de la transmisión derecha. Reinicie el suministro de alimentación.
TL27	Error de tiempo de espera CAN - cuchilla izquierda	Fallo de comunicación con el controlador de la cuchilla izquierda. Reinicie el suministro de alimentación.
TL28	Error de tiempo de espera CAN - cuchilla central	Fallo de comunicación con el controlador de la cuchilla central. Reinicie el suministro de alimentación.
TL29	Error de tiempo de espera CAN - cuchilla derecha	Fallo de comunicación con el controlador de la cuchilla derecha. Reinicie el suministro de alimentación.
TL30	Error de la cubierta del compartimento de la batería	Compruebe que el conector situado debajo del asiento esté conectado correctamente y, posteriormente, reinicie el suministro de alimentación.
TL31	Error de verificación del interruptor del asiento	Compruebe que el conector situado debajo del asiento esté conectado correctamente y, posteriormente, reinicie el suministro de alimentación.

Código de error	Descripción	Solución
TL32	Error de autenticación de software	Reinicie el suministro de alimentación.
ML1	Error de posicionamiento del motor	Reinicie el suministro de alimentación.
ML2	Motor de cuchilla calado	Compruebe la carga de segado y devuelva el interruptor de arranque de las cuchillas a su posición inicial.
ML3	Protección de velocidad baja del motor	Reinicie el suministro de alimentación.
ML4	Protección de sobrevelocidad del motor	Reinicie el suministro de alimentación.
ML5	Error del sensor Hall del motor	Compruebe que el conector de efecto Hall del controlador de la cuchilla esté conectado correctamente y, posteriormente, reinicie el suministro de alimentación.
ML6	Fase del controlador perdida	Compruebe que los cables del motor del controlador de transmisión estén correctamente conectados y, posteriormente, reinicie el suministro de alimentación.
ML7	Error de circuito abierto de MOS-FET	Si encuentra este problema, contacte con su distribuidor para obtener una solución.
ML8	Infratensión del controlador	La tensión es demasiado baja. Cargue la batería antes del uso.
ML9	Sobretensión del controlador	La tensión es demasiado alta. Reinicie el suministro de alimentación.
ML10	Temperatura baja de la batería	La temperatura del compartimento de la batería y de la batería es demasiado baja. Utilice la máquina a una temperatura adecuada y reinicie el suministro de alimentación.
ML11	Sobretemperatura de PMU Temperatura alta de la batería	La temperatura del compartimento de la batería y de la batería es demasiado alta. Espere que la batería se enfríe y, posteriormente, reinicie el suministro de alimentación.
ML12	Sobretemperatura del motor	La temperatura del motor es demasiado alta. Espere que el motor se enfríe y, posteriormente, reinicie el suministro de alimentación.
ML13	Sobretemperatura del controlador	La temperatura del controlador es demasiado alta. Espere que el controlador se enfríe y, posteriormente, reinicie el suministro de alimentación.
ML14	Sobrecorriente del software	La carga es demasiado alta. Reinicie el suministro de alimentación.
ML15	Sobrecorriente del hardware	La carga es demasiado alta. Reinicie el suministro de alimentación.
ML16	Error del controlador de velocidad	Compruebe que el controlador de velocidad del asa esté conectado correctamente y, posteriormente, reinicie el suministro de alimentación.
ML17	Error de precarga del controlador	Reinicie el suministro de alimentación.
ML18	Error del freno	Reinicie el suministro de alimentación.
ML19	Error de secuencia de funcionamiento	Sítue las asas izquierda y derecha en la posición de estacionamiento, y el interruptor de arranque de las cuchillas en la posición de apagado. Vuelva a sentarse en el asiento e inténtelo de nuevo.
ML20	Error del sensor de ángulo	Reinicie el suministro de alimentación.
ML21	Error del relé	Reinicie el suministro de alimentación.

Código de error	Descripción	Solución
ML22	Error de válvula magnética	Compruebe que la válvula de solenoide del motor esté conectada correctamente y, posteriormente, reinicie el suministro de alimentación.
ML23	Fallo de comunicación del compartimento de la batería (PMU)	Fallo de comunicación con el compartimento de la batería. Reinicie el suministro de alimentación.
ML24	Fallo del compartimento de la batería (PMU)	Error leve/grave en el compartimento de la batería. Realice una comprobación y reinicie el suministro de alimentación.
ML25	Error de tiempo de espera CAN - transmisión izquierda	Fallo de comunicación con el controlador de la transmisión izquierda. Reinicie el suministro de alimentación.
ML26	Error de tiempo de espera CAN - transmisión derecha	Fallo de comunicación con el controlador de la transmisión derecha. Reinicie el suministro de alimentación.
ML27	Error de tiempo de espera CAN - cuchilla izquierda	Fallo de comunicación con el controlador de la cuchilla izquierda. Reinicie el suministro de alimentación.
ML28	Error de tiempo de espera CAN - cuchilla central	Fallo de comunicación con el controlador de la cuchilla central. Reinicie el suministro de alimentación.
ML29	Error de tiempo de espera CAN - cuchilla derecha	Fallo de comunicación con el controlador de la cuchilla derecha. Reinicie el suministro de alimentación.
ML30	Error de la cubierta del compartimento de la batería	Compruebe que el conector situado debajo del asiento esté conectado correctamente y, posteriormente, reinicie el suministro de alimentación.
ML31	Fallo al verificar la señal de la cuchilla	Compruebe que el interruptor de arranque de las cuchillas esté conectado correctamente y, posteriormente, devuelva el interruptor a su posición inicial.
ML32	Error de autenticación de software	Reinicie el suministro de alimentación.
MR1	Error de posicionamiento del motor	Reinicie el suministro de alimentación.
MR2	Motor de cuchilla calado	Compruebe la carga de segado y devuelva el interruptor de arranque de las cuchillas a su posición inicial.
MR3	Protección de velocidad baja del motor	Reinicie el suministro de alimentación.
MR4	Protección de sobrevelocidad del motor	Reinicie el suministro de alimentación.
MR5	Error del sensor Hall del motor	Compruebe que el conector de efecto Hall del controlador de la cuchilla esté conectado correctamente y, posteriormente, reinicie el suministro de alimentación.
MR6	Fase del controlador perdida	Compruebe que los cables del motor del controlador de transmisión estén correctamente conectados y, posteriormente, reinicie el suministro de alimentación.
MR7	Error de circuito abierto de MOS-FET	Si encuentra este problema, contacte con su distribuidor para obtener una solución.
MR8	Infratensión del controlador	La tensión es demasiado baja. Cargue la batería antes del uso.
MR9	Sobretensión del controlador	La tensión es demasiado alta. Reinicie el suministro de alimentación.
MR10	Temperatura baja de la batería	La temperatura del compartimento de la batería y de la batería es demasiado baja. Utilice la máquina a una temperatura adecuada y reinicie el suministro de alimentación.

Código de error	Descripción	Solución
MR11	Sobret temperatura de PMU Temperatura alta de la batería	La temperatura del compartimento de la batería y de la batería es demasiado alta. Espere que la batería se enfríe y, posteriormente, reinicie el suministro de alimentación.
MR12	Sobret temperatura del motor	La temperatura del motor es demasiado alta. Espere que el motor se enfríe y, posteriormente, reinicie el suministro de alimentación.
MR13	Sobret temperatura del controlador	La temperatura del controlador es demasiado alta. Espere que el controlador se enfríe y, posteriormente, reinicie el suministro de alimentación.
MR14	Sobrecorriente del software	La carga es demasiado alta. Reinicie el suministro de alimentación.
MR15	Sobrecorriente del hardware	La carga es demasiado alta. Reinicie el suministro de alimentación.
MR16	Error del controlador de velocidad	Compruebe que el controlador de velocidad del asa esté conectado correctamente y, posteriormente, reinicie el suministro de alimentación.
MR17	Error de precarga del controlador	Reinicie el suministro de alimentación.
MR18	Error del freno	Reinicie el suministro de alimentación.
MR19	Error de secuencia de funcionamiento	Sitúe las asas izquierda y derecha en la posición de estacionamiento, y el interruptor de arranque de las cuchillas en la posición de apagado. Vuelva a sentarse en el asiento e inténtelo de nuevo.
MR20	Error del sensor de ángulo	Reinicie el suministro de alimentación.
MR21	Error del relé	Reinicie el suministro de alimentación.
MR22	Error de válvula magnética	Compruebe que la válvula de solenoide del motor esté conectada correctamente y, posteriormente, reinicie el suministro de alimentación.
MR23	Fallo de comunicación del compartimento de la batería (PMU)	Fallo de comunicación con el compartimento de la batería. Reinicie el suministro de alimentación.
MR24	Fallo del compartimento de la batería (PMU)	Error leve/grave en el compartimento de la batería. Realice una comprobación y reinicie el suministro de alimentación.
MR25	Error de tiempo de espera CAN - transmisión izquierda	Fallo de comunicación con el controlador de la transmisión izquierda. Reinicie el suministro de alimentación.
MR26	Error de tiempo de espera CAN - transmisión derecha	Fallo de comunicación con el controlador de la transmisión derecha. Reinicie el suministro de alimentación.
MR27	Error de tiempo de espera CAN - cuchilla izquierda	Fallo de comunicación con el controlador de la cuchilla izquierda. Reinicie el suministro de alimentación.
MR28	Error de tiempo de espera CAN - cuchilla central	Fallo de comunicación con el controlador de la cuchilla central. Reinicie el suministro de alimentación.
MR29	Error de tiempo de espera CAN - cuchilla derecha	Fallo de comunicación con el controlador de la cuchilla derecha. Reinicie el suministro de alimentación.
MR30	Error de la cubierta del compartimento de la batería	Compruebe que el conector situado debajo del asiento esté conectado correctamente y, posteriormente, reinicie el suministro de alimentación.
MR31	Fallo al verificar la señal de la cuchilla	Compruebe que el interruptor de arranque de las cuchillas esté conectado correctamente y, posteriormente, devuelva el interruptor a su posición inicial.

Código de error	Descripción	Solución
MR32	Error de autenticación de software	Reinicie el suministro de alimentación.
PMU10	Circuito abierto de la batería en PMU	Batería desconectada en el compartimento de la batería; el rendimiento de la máquina puede verse afectado.
PMU11	Error leve de PMU	Un error leve en el compartimento de la batería ha impedido el arranque del sistema de las cuchillas. Espere a que el sistema se recupere y, posteriormente, restablezca el interruptor de arranque de las cuchillas.
PMU12	Error crítico de PMU	Un error grave en el compartimento de la batería ha impedido el arranque de los sistemas de transmisión y de las cuchillas. Reinicie el suministro de alimentación e inténtelo de nuevo.
PMU13	PMU sin batería disponible	Compruebe que esté utilizando la batería correcta y, posteriormente, reinicie el suministro de alimentación.

7 MANTENIMIENTO

7.1 MANTENIMIENTO DE LAS CUCHILLAS DEL CORTACÉSPED

Compruebe las cuchillas del cortacésped a diario. Son la clave para aumentar la eficacia y conseguir un césped bien cuidado. Manténgalas afiladas: una cuchilla desafilada desgarrará en lugar de cortar la hierba, dejando una punta desgarrada de color marrón en la hierba en unas pocas horas. Una cuchilla desafilada también necesita más potencia. Sustituya las cuchillas cuando estén dobladas, agrietadas o rotas.

▲ AVISO

Nunca intente enderezar una cuchilla doblada calentándola, ni soldar una cuchilla rota o agrietada ya que esta puede romperse y provocar lesiones graves. Sustituya las cuchillas desgastadas o dañadas.

▲ AVISO

Nunca trabaje con las cuchillas mientras la llave esté en el interruptor de encendido. Gire la llave a la posición de apagado, saque las baterías de la máquina. Bloquee el cortacésped cuando deba trabajar debajo de este. Lleve guantes al manipular las cuchillas. ¡Compruebe siempre que la cuchilla no esté dañada si el cortacésped golpea una piedra, una rama u otros objetos extraños!

▲ PELIGRO

Puede retocar el afilado con una lima. Tras el afilado, compruebe el equilibrado de las cuchillas. En la mayor parte de las ferreterías es posible encontrar una herramienta de equilibrado comercial, asimismo, el equilibrado puede realizarse colocando la cuchilla sobre un punzón lineal invertido o un perno de 12,7 mm (1/2"). La cuchilla no debe apoyarse ni inclinarse. Mientras gira la cuchilla lentamente, esta no debe tambalearse. Si la cuchilla está desequilibrada, corrija esto antes de volver a instalar. Coloque la cuchilla sobre una superficie plana y compruebe la deformación. Sustituya las cuchillas deformadas.

▲ AVISO

- El filo de la cuchilla (parte curva) debe apuntar hacia arriba al interior de la plataforma para garantizar un corte adecuado.
- Al montar las cuchillas, gírelas tras la instalación para asegurarse de que las puntas de las cuchillas no se toquen entre sí o los laterales del cortacésped.
- Si no se aprieta correctamente el perno, puede perderse una cuchilla, lo que puede provocar lesiones personales graves.
- Las cuchillas del cortacésped están afiladas y pueden cortar. Lleve guantes y tenga sumo cuidado al realizar tareas de servicio en ellas.

7.1.1 SUSTITUCIÓN DE LA CUCHILLA

Véase la figura 17

1. Detenga el motor, retire la llave de arranque y aplique el freno de estacionamiento.
2. Eleve la altura de la plataforma de corte a su posición más alta para permitir el acceso a las cuchillas.

i NOTA

Si es necesario, eleve el cortacésped sobre un elevador o utilizando un gato y soportes, o retire la plataforma de corte como se describe en la sección anterior para acceder a las cuchillas.

▲ AVISO

Si levanta el cortacésped para acceder a las cuchillas, asegúrese de que esté bien sujeto y que el freno de estacionamiento se haya aplicado antes de proceder. Si no se sujeta correctamente el cortacésped, este podría caerse y provocar lesiones personales graves o incluso la muerte.

3. Coloque un bloque de madera entre la cuchilla y la plataforma del cortacésped para evitar que la cuchilla gire.
4. Afloje la tuerca de la cuchilla girándola en sentido antihorario (visto desde la parte inferior del cortacésped) con una llave de 16 mm o una llave de tubo (no suministrada).
5. Retire la tuerca de la cuchilla, el espaciador, el aislante de cuchilla y la cuchilla.
6. Enrosque la tuerca de la cuchilla en el eje y apriete con los dedos.
7. Apriete la tuerca de la cuchilla hacia abajo en sentido horario con una llave dinamométrica (no incluida) para asegurarse de que el perno esté correctamente apretado. El par recomendado para la tuerca de la cuchilla es de 90 N.m~100N.m (66~74 ft.lbs).

▲ AVISO

Asegúrese de que la cuchilla esté asentada correctamente y que la tuerca de la cuchilla esté apretada a las especificaciones de par anteriores. Si no coloca correctamente la cuchilla, esta podría aflojarse y provocar lesiones personales graves.

8. Repita con la segunda cuchilla, en caso necesario.

i NOTA

Asegúrese de que todas las piezas se vuelvan a colocar en el orden exacto en el que se retiraron.

7.2 NEUMÁTICOS

Es importante para cortar a nivel que todos los neumáticos tengan la cantidad correcta de presión de aire. Las presiones recomendadas son:

i NOTA

La presión de los neumáticos solo debe medirse o ajustarse cuando los neumáticos están fríos.

Ruedas de tracción	8 psi
Ruedas de guía delanteras	37 psi

i NOTA

Inspeccione los neumáticos a diario. Sustituya inmediatamente si hay daños.

▲ AVISO

Compruebe la presión de los neumáticos con cuidado durante el inflado. Un exceso de aire en el neumático podría provocar un reventón, con el consiguiente riesgo de lesiones personales graves.

7.3 LUBRICACIÓN

Véase la figura 19

Añada aceite antes del funcionamiento.

Tipo de aceite	SAE85W-140
Capacidad de aceite	180 ml

Contacte con su distribuidor de Cramer para cambiar la lubricación.

i NOTA

Cambie el aceite de la caja de engranajes después de manejar la máquina durante 50 horas por primera vez; posteriormente, cambie el aceite cada 200 horas.

7.4 VALORES DE PAR

▲ AVISO

Debe prestarse especial atención al apriete de las tuercas con lengüeta de la rueda de tracción y de los pernos del eje de la cuchilla. Si no se aprietan correctamente estos elementos, puede perderse una rueda o una cuchilla, lo que puede provocar daños o lesiones personales graves.

A continuación, se indican los valores de par:

Pieza	Ft-lbs.	Nm
Tuercas de las ruedas (con lengüeta)	89	120
Perno del eje de la cuchilla	66	90

Tuercas con lengüeta únicamente -Se recomienda comprobarlas tras las primeras 2 horas de funcionamiento, inicialmente, cada 100 horas y después de retirarlas para su reparación o sustitución.

7.5 MANTENIMIENTO DE LA BATERÍA

Su cortacésped de Cramer recibe alimentación de una batería que, cuando se mantiene correctamente, proporcionará años de vida útil. Para un cuidado adecuado, respete las siguientes instrucciones:

- Cargue siempre las baterías tras cada uso.
- Siempre que una batería se descargue por completo y se apague, es conveniente recargar la batería lo antes posible. La sobredescarga de la batería significa que la vida útil de la batería se acortará y la batería puede sufrir daños permanentes. No es necesario cargarla por completo; es suficiente con cargar la batería durante 5-10 minutos. Es mejor volver a cargar antes de que transcurran 24 horas.
- Evite que la hierba, la suciedad y los residuos se acumulen cerca de los terminales de la batería y en la zona de la batería.
- Cargue las baterías en interior en un lugar bien ventilado y seco, lejos de chispas o llamas. Nunca exponga el cargador a la lluvia, al vapor o a líquidos.
- Cargue únicamente las baterías de litio suministradas por Cramer.
- No toque la parte no aislada del cargador (patillas del terminal) o del conector de salida.
- No utilice con cables defectuosos. Sustituya los cables defectuosos inmediatamente.
- Para un almacenamiento a largo plazo, asegúrese de que la temperatura de almacenamiento sea de -20 °C - 45 °C en un mes, y de 0 °C - 35 °C entre dos y doce meses.
- El entorno de trabajo de la batería es de -20 °C -55 °C para la descarga, y 0 °C-55°C para la carga.

7.6 MANTENIMIENTO DEL FILTRO DEL COMPARTIMENTO DE LA BATERÍA

Sustituya el filtro del compartimento de la batería cada 200 horas.

7.7 SERVICIO

i IMPORTANTE

ES Espere a que se detenga cualquier movimiento antes de ajustar, limpiar o reparar. Los trabajos de reparación o mantenimiento que necesiten alimentación deben ser realizados únicamente por personal de mantenimiento con la debida formación. Lea y respete las advertencias de seguridad de la parte delantera del manual.

i IMPORTANTE

Los trabajos de reparación o mantenimiento que necesiten alimentación deben ser realizados únicamente por personal de mantenimiento con la debida formación.

- Estacione el cortacésped en un terreno a nivel. Asegúrese de que las palancas de control de dirección estén en la posición de punto muerto y que el interruptor PTO esté en la posición de apagado. Levante la plataforma, gire la llave a la posición de apagado, retire la llave del interruptor y saque las baterías del compartimento de las baterías situado debajo del asiento.
- Cualquier operación de mantenimiento que exija la retirada de las cubiertas de seguridad debe ser realizada por un técnico de servicio con la debida formación.
- Utilice un palo o un instrumento similar para limpiar debajo del cortacésped, asegurándose de que ninguna parte de su cuerpo, especialmente los brazos y las manos, esté debajo del cortacésped.
- Mantenga su máquina limpia y elimine cualquier depósito de basura y recortes.
- Mantenga el compartimento de la batería, la plataforma y la estación del operario limpios de basura acumulada, recortes de hierba y otros residuos.
- Limpie el compartimento de la batería, el compartimento del motor de propulsión, la plataforma del cortacésped, el asiento, etc., de toda la tierra y los residuos. Para limpiar, utilice únicamente aire comprimido. NO utilice agua, disolventes, limpiadores agresivos o abrasivos.
- Lleve siempre una protección ocular adecuada cuando realice el mantenimiento de las baterías o cuando afile las cuchillas del cortacésped y elimine los residuos acumulados. Nunca intente realizar ajustes o reparaciones en el sistema de la transmisión del cortacésped, la plataforma del cortacésped o cualquier otro accesorio mientras el sistema de transmisión de tracción esté funcionando. Los trabajos de reparación o mantenimiento que necesiten alimentación deben ser realizados únicamente por personal de mantenimiento con la debida formación.
- Nunca trabaje debajo de la máquina ni del accesorio a menos que esté apoyado de forma segura mediante gatos. Asegúrese de que sea seguro trabajar debajo de la máquina cuando esté elevada y apoyada sobre los gatos.
- Los gatos no deben permitir que la máquina se mueva cuando el sistema de transmisión de tracción esté funcionando y las ruedas de tracción estén girando. Utilice únicamente gatos certificados. Utilice únicamente gatos adecuados, con un peso mínimo de 2000 libras (907,2 kg) para bloquear la unidad. Utilice únicamente en pares. Siga las instrucciones que se facilitan con los gatos del vehículo.
- No toque las piezas calientes de la máquina.
- Mantenga apretados las tuercas y los pernos, especialmente los pernos de fijación de la cuchilla. Mantenga el equipo en buen estado de funcionamiento.
- Nunca manipule los dispositivos de seguridad. Compruebe su correcto funcionamiento periódicamente.
- Sitúe la llave en la posición de apagado antes de desatascar el conducto de descarga.
- Nunca desatascue el conducto de descarga con la máquina en funcionamiento. Sitúe la llave en la posición de apagado y asegúrese de que las cuchillas se hayan detenido antes de la limpieza. Utilice un palo para desatascar la zona de descarga atascada. ¡Nunca utilice la mano!
- Detenga la unidad y permita que las cuchillas se detengan antes de destacar el conducto. Los componentes del sistema de recogida de hierba están sujetos a desgaste, daño y deterioro, lo que podría dejar al descubierto las piezas móviles o permitir que salgan despedidos objetos. Compruebe con frecuencia los componentes y sustitúyalos por las piezas recomendadas por el fabricante, cuando sea necesario.
- Tenga cuidado al trabajar debajo de la plataforma, ya que las cuchillas del cortacésped están extremadamente afiladas. Lleve guantes y tenga sumo cuidado al realizar tareas de servicio en ellas.
- Utilice únicamente piezas originales del cortacésped de Cramer para garantizar el mantenimiento de los criterios originales.
- Retire siempre las baterías al transportar la unidad. Mantenga la unidad limpia de recortes de hierba, hojas y otros residuos.

- Compruebe el funcionamiento del freno con frecuencia. Ajuste y repare según sea necesario.
- Mantenga o sustituya las etiquetas de seguridad y de instrucciones, según sea necesario.
- Solicite a un técnico de reparación cualificado que realice las tareas de servicio de su cortacésped con conductor sentado utilizando únicamente piezas de repuesto idénticas. Esto garantizará el mantenimiento de la seguridad del cortacésped con conductor sentado.
- Recargue solo con el cargador especificado por el fabricante. Un cargador adecuado para un tipo de batería crear a un riesgo de incendio cuando se utiliza con otro tipo de batería.

8 TRANSPORTE Y ALMACENAMIENTO

8.1 TRANSPORTE

▲ AVISO

Tenga mucho cuidado al cargar o descargar la máquina en un remolque. Pulse el botón de conducción a baja velocidad y mueva con cuidado las palancas de la transmisión según sea necesario para controlar la velocidad. Siempre dé marcha atrás hacia el remolque cuando cargue. Cuando cargue o descargue el cortacésped, no supere el ángulo de funcionamiento máximo recomendado de 15°. Si no se siguen estas instrucciones, puede perderse el control y pueden producirse daños materiales, lesiones personales graves o incluso la muerte.

▲ AVISO

Tenga cuidado al cargar o descargar el cortacésped de un remolque. Asegúrese de que la plataforma de corte esté elevada a la posición más alta para que no quede atrapada en la rampa. Las ruedas del cortacésped pueden salirse de la rampa o del remolque, haciendo que el cortacésped se gire o vuelque, y generando un peligro de aplastamiento que puede provocar lesiones personales graves o incluso la muerte.

1. Estacione el cortacésped en una superficie a nivel.
2. Levante la plataforma de corte a su posición más alta.
3. Coloque y fije la rampa en el remolque según las instrucciones del fabricante.

i NOTA

Recomendamos la utilización de una rampa de carga de ancho completo que sea al menos 30 cm (1 pie) más ancha que el cortacésped para minimizar el riesgo de que las ruedas del cortacésped se salgan por un lateral de la rampa.

4. Vaya marcha atrás lentamente con el cortacésped sobre la rampa y en el interior del remolque.
5. Baje por completo la plataforma del cortacésped.
6. Aplique el freno de estacionamiento.
7. Apague el cortacésped y retire la llave.
8. Fije el cortacésped según sea necesario con correas o cables para evitar que se mueva durante el transporte.

▲ AVISO

Para evitar el arranque o el movimiento accidental, que podría provocar lesiones personales graves, retire siempre la llave de arranque y aplique el freno de estacionamiento cuando transporte el cortacésped.

8.2 LIMPIEZA Y ALMACENAMIENTO

8.2.1 LIMPIEZA DE LA MÁQUINA

- Elimine cualquier acumulación de hierba y hojas en la cubierta del motor o alrededor de esta (No utilice agua de una pistola de alta presión para lavar el motor).
- Limpie ocasionalmente el cortacésped con un paño seco.
- Si se acumulan residuos en los bajos del cortacésped durante el uso, detenga el motor, apague la máquina y limpie raspando con una herramienta adecuada.

8.2.2 LIMPIEZA DE LA PLATAFORMA DEL CORTACÉSPED

Véase la figura 18

- Sitúe el freno de estacionamiento en las ranuras de estacionamiento.
- Ajuste la altura de la plataforma del cortacésped a la más baja.
- Conecte el acoplamiento rápido del puerto de lavado suministrado a la manguera de jardín.
- Conecte la manguera de jardín con el acoplamiento rápido al puerto de lavado de la plataforma del cortacésped. El puerto de lavado está en el lado izquierdo de la plataforma del cortacésped.
- Encienda el agua.
- Tire del interruptor PTO para poner en marcha las cuchillas de corte del cortacésped y ajuste la velocidad de las cuchillas al máximo.
- Lave con agua debajo de la plataforma durante aproximadamente un minuto.
- Desacople las cuchillas del cortacésped empujando el interruptor PTO hacia abajo.
- Cierre el agua y retire la manguera de jardín y el acoplamiento rápido del puerto de lavado.
- Retire el acoplamiento rápido de la manguera de jardín y guárdelo para su uso futuro.
- Apague por completo el cortacésped.

8.2.3 ALMACENAMIENTO DE LA MÁQUINA

Para preparar la máquina para el almacenamiento, deben seguirse estos pasos.

- Limpie la máquina como se describe en la sección anterior.
- Inspeccione la cuchilla y sustitúyala o afílela, si es necesario (consulte la sección Mantenimiento).
- No almacene la máquina cerca de materiales corrosivos, como fertilizantes o sal gema.
- Mantenga la máquina fuera del alcance de los niños.
- No cubra la máquina con una lona de plástico dura. Las coberturas de plástico atrapan la humedad alrededor de la máquina, lo que genera óxido y corrosión.
- Compruebe exhaustivamente si hay piezas gastadas o dañadas que deban ser sustituidas y pídalas a su distribuidor.
- Contacte con un centro de servicio para una lubricación exhaustiva de la máquina.
- Cargue por completo y realice tareas de servicio en las baterías.
- No desinifle los neumáticos.
- La máquina debe guardarse en un lugar bien ventilado, limpio y seco, ya que el cargador de la batería no puede utilizarse en un entorno húmedo.
 - Mantenga siempre las baterías totalmente cargadas. Es especialmente importante evitar que la batería sufra daños cuando la temperatura sea inferior a 32°F (0°C).
 - Coloque el adaptador del cargador en el puerto de carga y las baterías según el apartado Adaptador de carga de la sección Sistema eléctrico.
 - Enchufe el cargador en una toma eléctrica adecuada. Consulte los apartados Cargador de la batería, Carga de la batería y Recomendaciones de carga de la sección Sistema eléctrico para obtener información adicional sobre la utilización del cargador y la carga de las baterías.
 - Para optimizar la vida útil de las baterías, es mejor cargarlas por completo poco después de cada uso.

8.2.4 PREPARACIÓN PARA EL USO TRAS EL ALMACENAMIENTO

Antes de utilizar el cortacésped después de su almacenamiento, deben seguirse los siguientes pasos:

- Cargue totalmente las baterías.
- Compruebe la presión de los neumáticos e infle según sea necesario.
- Conduzca brevemente el cortacésped y compruebe que todos los sistemas y componentes funcionen correctamente.

9 SOLUCIÓN DE PROBLEMAS

PROBLEMA	POSIBLE CAUSA	SOLUCIÓN
El vehículo no se mueve.	El compartimento de la batería no se ha insertado en la batería o batería no designada por Cramer.	Para garantizar el funcionamiento normal del vehículo, debe colocarse al menos 1 unidad de los productos de batería designados por Cramer en el compartimento de la batería.
	La batería no está cargada.	Compruebe la energía de la batería.
	Las palancas de control de dirección están en la posición del freno de estacionamiento.	Asegúrese de que las palancas de control izquierda y derecha no estén en la posición del freno de estacionamiento.
	No hay nadie en el asiento o el interruptor de presencia del operario no está cerrado.	Asegúrese de que el conductor esté sentado en el asiento.
	Los interruptores de estacionamiento izquierdo y derecho no están en la posición inicial cuando se conecta la alimentación.	Sitúe las palancas de control de dirección en la posición del freno de estacionamiento y vuelva a poner en marcha la máquina. Si sigue sin poder arrancar, contacte con el personal del servicio posventa de Cramer que corresponda.
	El compartimento de la batería está en estado de reposo.	Gire el interruptor de llave a la marcha de apagado y espere más de 5 segundos antes de volver a poner en marcha la máquina.
Avería súbita durante la conducción	La batería no está cargada.	Para garantizar el funcionamiento normal de todo el vehículo, es necesario colocar al menos 1 unidad de los productos de batería designados por Cramer en el compartimento de la batería y asegurarse de que la batería tenga energía.
	Caminos difíciles y llenos de baches, lo que provoca la desconexión del interruptor de presencia del operario.	Sitúe las palancas de control de dirección en la posición del freno de estacionamiento y vuelva a poner en marcha la máquina.
	Fallo del acelerador izquierdo/derecho.	Contacte con el personal del servicio posventa de Cramer.
	Fallo del controlador de transmisión.	Contacte con el personal del servicio posventa de Cramer.
La cuchilla no funciona tras tirar del interruptor PTO.	El compartimento de la batería no está insertado en la batería especificada por Cramer.	Para garantizar el funcionamiento normal de todo el vehículo, es necesario colocar al menos 1 unidad de los productos de batería designados por Cramer en el compartimento de la batería y asegurarse de que la batería tenga energía.
	La energía de la batería es inferior al 5%.	Compruebe la energía de la batería, si es baja, cargue la batería.
	El interruptor de presencia del operario no está cerrado.	Asegúrese de que el conductor esté sentado en el asiento.
	El interruptor (PTO) de las cuchillas no está en la posición inicial antes del encendido.	Presione el PTO y vuelva a tirar de él.
	El motor de la cuchilla está bloqueado y otra protección funcional.	Compruebe que no haya maleza ni otros objetos extraños en la conexión entre la cuchilla y el motor para garantizar que la cuchilla gire suavemente. Se recomienda subir la plataforma y arrancar la cuchilla antes de ajustar la plataforma a la marcha necesaria.

PROBLEMA	POSIBLE CAUSA	SOLUCIÓN
	Fallo del controlador de transmisión.	Compruebe el código de error que aparece en la pantalla.
La cuchilla se para al cortar la hierba.	Fallo del controlador de la cuchilla.	Compruebe el código de error que aparece en la pantalla.
	Sobrecarga del motor de la cuchilla.	Limpie el interior de la plataforma, asegúrese de que no haya una rotación anormal de la cuchilla, pulse el interruptor PTO, vuelva a poner en marcha la máquina y reduzca la carga de la cuchilla, ya sea elevando la altura de la plataforma de corte o reduciendo la velocidad de conducción.
	Temperatura de batería demasiado alta.	No la utilice inmediatamente después de finalizar la carga, de lo contrario puede activar el error de protección de temperatura de la batería.
	La energía de la batería es inferior al 5%.	La energía de la batería es baja, cargue la batería.
	La cuchilla ha sido golpeada por un objeto extraño, por lo que se ha detenido repentinamente.	Gire la llave de arranque a la posición de apagado y espere más de 5 segundos antes de volver a poner en marcha la máquina.
	Fallo del controlador de transmisión.	Compruebe el código de error que aparece en la pantalla.
El cortacésped corta la hierba de forma irregular y la diferencia de altura es muy grande.	La cuchilla está desafilada.	Afile la cuchilla de acuerdo con el manual.
	La cuchilla está doblada.	Sustituya la cuchilla doblada; sustituya la cuchilla de acuerdo con las instrucciones y utilice equipos de protección.
	La plataforma no está plana.	Aplane la plataforma de acuerdo con las instrucciones para garantizar que las alturas izquierda y derecha sean iguales.
La altura de corte real no coincide con la altura de corte marcada que se ha seleccionado.	Pernos de fijación de la plataforma flojos.	Ajuste los pernos de fijación de la plataforma para garantizar que esté firmemente instalada. Nota: es necesario volver a nivelar la plataforma tras ajustar los pernos de fijación.
	La plataforma está gravemente desgastada o dañada.	Sustituya por una plataforma nueva.
Marcas anormales del paso del vehículo	El césped está demasiado mojado.	Antes de cortar, compruebe el estado del césped. Si la hierba está demasiado mojada, espere a que el viento o el sol la seque. Espere a que se disipe el rocío del césped antes de cortar.
	El cortacésped se ha ajustado para cortar demasiada hierba de una vez.	Si la hierba es demasiado densa y alta, eleve la plataforma y evite cortar hierba densa en la medida de lo posible.
Vibración excesiva de la máquina	Las cuchillas están flojas.	Pula la cuchilla de acuerdo con el método del manual.
	Las cuchillas están dobladas.	Sustituya la cuchilla doblada, preste atención a la correcta sustitución de la cuchilla de acuerdo con las instrucciones y lleve guantes de protección.
	Plataforma irregular.	Aplane la plataforma de acuerdo con las instrucciones para garantizar que las alturas izquierda y derecha sean iguales.
	Plataforma floja.	Bloquee los pernos de fijación de la plataforma.

PROBLEMA	POSIBLE CAUSA	SOLUCIÓN
	El cortacésped se ha ajustado para cortar demasiada hierba de una vez.	Si la hierba es demasiado densa o alta, eleve la plataforma de corte e intente evitar el corte de hierba densa.
Queda hierba o residuos en el suelo después de segar.	El cortacésped se ha ajustado para cortar demasiada hierba de una vez.	Si la hierba es demasiado densa y alta, eleve la plataforma. Si la hierba es más alta de 15 cm, haga dos ciclos de corte para lograr el efecto de corte e intente evitar el corte de hierba densa.
	La hierba está demasiado mojada.	Compruebe el estado de la hierba antes de segar. Si la hierba está demasiado mojada, espere a que el viento o el sol la seque. Espere a que se disipe el rocío del césped antes de segar.
	La velocidad de conducción es demasiado rápida.	Reduzca la velocidad de conducción.
	La velocidad de corte de las cuchillas es demasiado baja.	Aumente el nivel de velocidad de la cuchilla.
Duración corta de segado	El corte de hierba densa puede dar lugar a una duración corta del segado.	La elevación de la plataforma o la disminución de la velocidad de la cuchilla puede aumentar el tiempo de uso del cortacésped con una carga.
Cortacésped difícil de controlar	Presiones distintas de los neumáticos	Compruebe periódicamente la presión de los neumáticos del cortacésped según el manual.
El vehículo no arranca tras el lavado.	Limpieza inadecuada; ha penetrado agua en la pantalla LED, el compartimento de la batería y otras partes de los componentes electrónicos.	<ol style="list-style-type: none"> 1. Siga las instrucciones para limpiar la máquina. 2. Si el vehículo se moja accidentalmente, déjelo en un lugar seco durante 12 horas o séquelo antes de usarlo. 3. Contacte con el personal del servicio posventa de Cramer.
El cortacésped está bloqueado.	Maleza y basura amontonada en la plataforma.	Siga las instrucciones para limpiar la máquina cada vez que la utilice.
Durante el estacionamiento, la máquina se desliza rápidamente en pendientes y patina.	Desgaste grave de los neumáticos.	Contacte con el personal del servicio posventa para sustituir los neumáticos.
	El freno electromagnético está dañado o seriamente desgastado.	Contacte con el personal del servicio posventa para sustituir el freno electromagnético.
	El freno electromagnético se suelta manualmente.	Compruebe el freno electromagnético y restablézcalo a la posición inicial.

10 DATOS TÉCNICOS

Nº de modelo	82ZT107
Tensión	82 V
Peso bruto del vehículo	106±3 kg
Longitud	170 cm
Altura	117 cm
Anchura (con descarga)	135 cm
Anchura (sin descarga)	107 cm
Anchura de plataforma	107 cm
Velocidad marcha hacia delante	0-7.5 mph
Velocidad marcha atrás	0-3 mph
Intervalo de altura de corte	3.81-11.4 cm
Nivel de ajuste de altura de corte	7 uds.
Velocidad sin carga	2400/3000/3200 RPM
Tiempo de carga	4 h (con cargador de 8 A)
Potencia del motor	1.2 kW (motor de cuchilla) 1.2 (motor de propulsión)
Manejo MÁX. en pendientes	15°
Número de cuchillas (descarga/mulching)	2 uds.
Nivel de presión acústica medida	$L_{pA} = 85.63 \text{ dB(A)}$, $K_{pA} = 3 \text{ dB(A)}$
Nivel de potencia acústica medida	$L_{wA} = 98.61 \text{ dB(A)}$
Nivel de potencia acústica garantizada	$L_{wA,d} = 100 \text{ dB(A)}$
Vibración	Brazos: $\leq 2.5 \text{ m/s}^2$, $K = 1.5 \text{ m/s}^2$
	Cuerpo: $\leq 2.5 \text{ m/s}^2$, $K = 1.5 \text{ m/s}^2$

11 GARANTÍA LIMITADA

11.1 COBERTURA DE LA PRESENTE GARANTÍA

Cramer ofrece la siguiente garantía solo al comprador original ("Propietario"); la garantía no es transferible:

A. Uso residencial: Los productos de Cramer empleados con fines residenciales normales* están garantizados durante un periodo de cinco (5) años o 1500 horas de uso total (lo que se dé primero) a partir de la fecha de compra contra cualquier defecto de materiales y mano de obra del chasis, la plataforma y las baterías. Los consumibles como los neumáticos y las cuchillas están garantizados durante treinta (30) días a partir de la fecha de compra. Si el propietario descubre dentro de este periodo de garantía un defecto en los materiales o la mano de obra:

- El propietario debe notificar inmediatamente el defecto a Cramer o a un distribuidor autorizado por escrito o mediante un correo electrónico, una llamada telefónica, la aplicación o en persona. En ningún caso Cramer o un distribuidor autorizado recibirán dicha notificación más tarde de cinco (5) años a partir de la fecha de compra.
- En un plazo razonable tras dicha notificación y la verificación del defecto cubierto por la garantía, Cramer corregirá cualquier defecto de material o de mano de obra en el producto de Cramer mediante, a su criterio, la reparación o la sustitución de las piezas por piezas de repuesto nuevas o usadas.
- Dicha reparación, incluidas las piezas y la mano de obra, correrá a cargo de Cramer únicamente para el propietario original.

B. Uso comercial: Los productos de Cramer empleados con fines comerciales e institucionales están garantizados durante un periodo de cinco (5) años o 1500 horas de uso total (lo que se dé primero) a partir de la fecha de compra contra cualquier defecto de materiales y mano de obra del chasis, la plataforma y las baterías. Los consumibles (incluidos, sin limitación, los neumáticos y las cuchillas) están garantizados durante treinta (30) días a partir de la fecha de compra. Si el propietario descubre dentro de este periodo de garantía un defecto en los materiales o la mano de obra:

- El propietario debe notificar inmediatamente el defecto a Cramer o a un distribuidor autorizado por escrito, mediante un correo electrónico, una llamada telefónica, la aplicación o en persona. En ningún caso Cramer o un distribuidor autorizado recibirán dicha notificación más tarde de cinco (5) años a partir de la fecha de compra.
- En un plazo razonable tras dicha notificación y la verificación del defecto cubierto por la garantía, Cramer corregirá cualquier defecto de material o de mano de obra en el producto de Cramer mediante, a su criterio, la reparación o la sustitución de las piezas por piezas de repuesto nuevas o usadas.
- Dicha reparación, incluidas las piezas y la mano de obra, correrá a cargo de Cramer únicamente para el propietario (comercial) original.

i NOTA

En caso de no realizarse un mantenimiento adecuado de las baterías y de no mantenerlas totalmente cargadas, se reducirá la vida útil de las mismas y su garantía quedará anulada. Las disposiciones de esta garantía limitada no se aplicarán a los fallos debidos a:

- Abuso o negligencia como daños debidos al agua, cableado flojo, o elementos de fijación oxidados o corroídos.
- Falta de mantenimiento adecuado; daños debidos a una instalación incorrecta de la batería; negligencia, rotura, exposición a condiciones de temperatura extrema incluyendo, sin limitación, temperaturas de congelación, temperaturas elevadas, proximidad a fuentes de calor como calentadores o fuego, exposición a agua o a otras sustancias, destrozos, funcionamiento de la batería con sobrecarga o en un estado sin carga.
- Una batería cargada por sistemas distintos al cargador de batería del tipo del equipo original.

Nota al pie: *** Fines residenciales normales*”, según se utiliza en el presente documento, hace referencia al uso del producto en la misma parcela en la que se encuentra su vivienda. El uso en más de un lugar se considera uso comercial, tras lo cual se aplicaría la garantía para uso comercial.

11.2 QUIÉN DEBE LLEVAR A CABO EL SERVICIO BAJO GARANTÍA

Todo servicio bajo garantía será llevado a cabo por un distribuidor autorizado de Cramer por un técnico de servicio autorizado de Cramer. Las llamadas de servicio o los gastos de transporte del producto para su envío al distribuidor autorizado y su posterior devolución al propietario, para trabajos bajo garantía, serán pagados por el propietario del producto. Para recibir servicio bajo garantía, contacte con un distribuidor autorizado.

11.3 LO QUE NO CUBRE LA PRESENTE GARANTÍA

Cramer no garantiza:

- Las reparaciones realizadas por personas no autorizadas.
- Los daños derivados de la utilización del producto de Cramer con fines distintos a aquellos para los que fue diseñado.
- Los daños debidos a desastres como incendios, inundaciones, viento y relámpagos.
- Los daños debidos a negligencia, abuso, uso anormal, uso inadecuado o irrazonable, accidente, negligencia o uso indebido, como daños debidos al agua.
- Las reparaciones o sustituciones que se deban a la utilización de piezas o accesorios no autorizados.
- Las reparaciones o sustituciones que se deban a cualquier alteración o modificación, a criterio de Cramer, que influya adversamente en el funcionamiento, el rendimiento o la durabilidad del equipo.
- Los productos, componentes o piezas no fabricados por Cramer.
- Los productos cuya identificación haya sido alterada, incluyendo, sin limitación, los números de serie borrados o que sean ilegibles.
- La depreciación o los daños debidos al desgaste normal, la falta de un mantenimiento razonable y adecuado, el incumplimiento de las instrucciones de funcionamiento, mantenimiento y ajuste del manual del propietario del producto o de otras instrucciones de funcionamiento facilitadas por Cramer.
- El servicio y las piezas empleadas para el mantenimiento normal entre los que se incluyen, sin limitación, lubricantes, piezas de puesta a punto, cuchillas, afilado de cuchillas, rodamientos, ajustes de freno o de dirección.

- Los productos con programación no aprobada para ese producto, incluidas las alteraciones de los parámetros, programación o ajustes posventa, o cualquier modificación no aprobada de los componentes, la electrónica o el software.

11.4 DESCARGO DE GARANTÍA

Las garantías anteriores sustituyen a cualquier otra garantía, expresa o implícita, entre las que se incluyen, sin limitación, las garantías implícitas de comerciabilidad e idoneidad para un fin determinado. No obstante, si el producto de Cramer se compra como un producto de consumo, cualquier garantía implícita de comerciabilidad o idoneidad para un fin determinado se limita a la duración de la presente garantía limitada. Algunos estados no permiten limitaciones a la duración de una garantía implícita, por lo que es posible que la limitación anterior no sea aplicable en su caso. Esta garantía le otorga derechos legales específicos; también puede poseer otros derechos que varían de un estado a otro.

11.5 LIMITACIÓN DE REPARACIONES

En ningún caso Cramer será responsable por los daños especiales, fortuitos o indirectos derivados de un incumplimiento de la garantía, un incumplimiento de contrato, negligencia, responsabilidad estricta extracontractual o cualquier otra teoría legal. Tales daños incluyen, sin limitación:

- Pérdida de beneficios
- Pérdida de ahorros o ingresos
- Pérdida de uso del producto de Cramer o cualquier equipo asociado
- Coste de capital
- El coste de cualquier equipo, instalaciones o servicios de sustitución o el tiempo de inactividad
- Las reclamaciones de terceros, incluidos los clientes, y los daños a la propiedad

11.6 LÍMITE DE TIEMPO

A menos que la legislación estatal determine lo contrario:

Cualquier acción por incumplimiento de la garantía debe iniciarse antes de que transcurran cinco (5) años o sesenta (60) meses a partir de la fecha de compra en una aplicación residencial o comercial.

En el caso de que la fecha de fabricación supere un plazo razonable anterior a la primera compra del cliente, la garantía de Cramer puede estar sujeta a limitaciones adicionales.

11.7 AUSENCIA DE OTRAS GARANTÍAS

Este acuerdo se entiende como el acuerdo completo y exclusivo entre las partes y reemplaza todos los acuerdos anteriores, ya sean verbales o escritos, y todas las demás comunicaciones entre las partes relacionadas con el objeto del presente acuerdo.

11.8 RESPONSABILIDAD DEL PROPIETARIO

Debe mantener su producto de Cramer según los procedimientos de mantenimiento descritos en el manual del propietario. Dicha rutina de mantenimiento, ya sea realizada por un distribuidor o por usted mismo, corre a su cuenta.

Esta máquina, como cualquier otro equipo a motor, es potencialmente peligrosa a menos que se maneje correctamente. Todos los operarios deben actuar con precaución y tener siempre en mente la seguridad. Antes de la utilización del producto de Cramer, todos los operarios deben familiarizarse exhaustivamente con el manual del propietario con respecto al funcionamiento y la seguridad de la máquina, así como con todas las advertencias de seguridad que se encuentran en la propia máquina.

11.9 ASIGNACIÓN DE RIESGOS

Este acuerdo asigna los riesgos de fallo del producto entre Cramer y el propietario. Esta asignación es reconocida por ambas partes y se refleja en el precio de la mercancía.

11.10 REGISTRO DE LA GARANTÍA

A menos que la legislación estatal determine lo contrario:

1. Los propietarios deben registrar la unidad con Cramer antes de que transcurran diez (10) días desde la fecha de compra.

2. El registro puede realizarse cumplimentando el formulario de registro de la garantía, que se proporciona en el manual del operario.
3. El registro también puede realizarse mediante la utilización de los formularios en línea de [cramertools.com](https://www.cramertools.com) o mediante la utilización de la aplicación y proporcionando una prueba de compra (el ticket debe incluir la fecha de compra).

12 DECLARACIÓN DE CONFORMIDAD CE

ES

Nombre y dirección del fabricante:

Nombre: Greenworks Tools Europe GmbH
Dirección: Brunnenweg 17, 64331 Weiterstadt, Alemania

Nombre y dirección de la persona autorizada para compilar el archivo técnico:

Nombre: Ralf Pankalla
Dirección: Brunnenweg 17, 64331 Weiterstadt, Alemania

Por la presente declaramos que el producto

Categoría: Cortacésped de giro cero
Modelo: 82ZT107
Número de serie: Véase la etiqueta de clasificación del producto
Año de construcción: Véase la etiqueta de clasificación del producto

- es conforme con las disposiciones pertinentes de la Directiva relativa a las máquinas: 2006/42/CE.
- es conforme con las disposiciones de las siguientes Directivas CE:
 - 2014/30/UE
 - 2011/65/UE & 2015/863/UE

Adicionalmente, declaramos que se han utilizado las siguientes (partes/cláusulas de) las normas europeas armonizadas:

- EN 62841-1, EN ISO 5395-1, EN ISO 5395-3, EN ISO 14982, IEC 62321-3-1, IEC 62321-4, IEC 62321-5, IEC 62321-6, IEC 62321-7-1, IEC 62321-7-2, IEC 62321-8

Lugar, fecha: 11.11.2022

Firma: Ted Qu, Director de calidad

Ted Qu

1	Descrizione.....	97	7.4	Valori di coppia.....	115
1.1	Panoramica.....	97	7.5	Manutenzione del gruppo batteria.....	115
1.2	Pannello di controllo.....	97	7.6	Manutenzione filtro vano batteria.....	115
2	Disimballare il prodotto.....	97	7.7	Riparazioni.....	116
3	Installazione.....	98	8	Trasporto e conservazione.....	117
3.1	Installazione del sedile.....	98	8.1	Trasporto.....	117
3.2	Installare il copripacciamatura.....	98	8.2	Pulizia e stoccaggio.....	117
3.3	Installazione delle leve di controllo.....	98	9	Risoluzione dei problemi.....	119
3.4	Manopola di bypass del neutro.....	99	10	Specifiche tecniche.....	122
3.5	Ruote antiscalpo.....	99	11	Garanzia limitata.....	122
4	Istruzioni per l'uso.....	99	11.1	Che cosa è coperto da questa garanzia.....	122
4.1	Operazioni preliminari.....	99	11.2	A chi affidare gli interventi in garanzia....	123
4.2	Azionare la macchina.....	101	11.3	Che cosa non è coperto da questa garanzia.....	123
5	Sistema elettrico.....	106	11.4	Esclusione di garanzia.....	124
5.1	Sicurezza elettrica.....	106	11.5	Limitazione dei rimedi.....	124
5.2	Informazioni sul sistema elettrico.....	106	11.6	Periodo di validità.....	124
5.3	Display digitale.....	107	11.7	Altre garanzie.....	124
6	Errore.....	107	11.8	Responsabilità del proprietario.....	124
6.1	Codice errore.....	108	11.9	Allocazione dei rischi.....	124
7	Manutenzione.....	113	11.10	Registrazione della garanzia.....	124
7.1	Manutenzione delle lame.....	113	12	Dichiarazione di conformità	
7.2	Pneumatici.....	114	CE.....	125	
7.3	Lubrificazione.....	115			

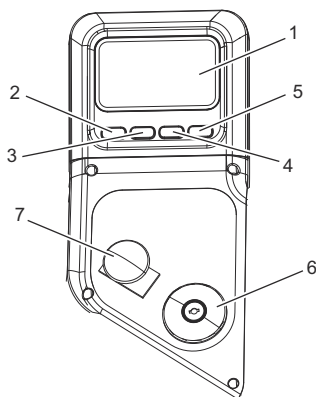
1 DESCRIZIONE

1.1 PANORAMICA

Fare riferimento al foglio separato delle illustrazioni 1-19

- | | |
|--|----------------------------------|
| 1 Leve di controllo | 19 Manopola di bypass del neutro |
| 2 Leva di regolazione del sedile | 20 Numero di serie |
| 3 Faro | 21 Codice di associazione |
| 4 Ruote anteriori | 22 Codice QR |
| 5 Scivolo di scarico | 23 Vano batteria |
| 6 Ruote motrici | 24 Batteria |
| 7 Pannello di controllo | 25 Fermo batteria |
| 8 Presa USB | 26 Spegnimento |
| 9 Portabicchieri | 27 Accensione |
| 10 Piatto | 28 Chiave blocchetto accensione |
| 11 Ruote antiscalpo | 29 Bullone |
| 12 Leva di regolazione dell'altezza del piatto | 30 Rondella |
| 13 Pannello sedile | 31 Lama |
| 14 Pannello presa | 32 Tubo da giardino |
| 15 Copripacciamatura | 33 Attacco rapido |
| 16 Anello cuscinetto | 34 Attacco lavaggio |
| 17 Morsetti di fissaggio | 35 Uscita scarico olio |
| 18 Palo di montaggio | 36 Asta livello olio |

1.2 PANNELLO DI CONTROLLO



2 DISIMBALLARE IL PRODOTTO.

▲ AVVERTIMENTO

Assicurarsi di assemblare correttamente l'apparecchio prima dell'uso.

N.	Nome	Funzione
1	Display digitale	Il display visualizza informazioni importanti sul sistema elettrico. Per ulteriori informazioni, consultare la sezione sistema elettrico.
2	Controllo velocità motore lama / Ritorino	Regola la velocità della lama (ciclica) quando è sulla pagina iniziale. Premere il pulsante per tornare alla pagina precedente.
3	Navigazione nel menù / Pagina su	Ruota il display digitale sull'ultima pagina. Torna alla schermata principale.
4	Interruttore lampada / Pagina giù	Accende/spegne le luci quando è sulla pagina iniziale. Ruota il display digitale sulla prossima pagina.
5	Controllo della velocità di guida / Conferma	Regola la velocità di movimento della lama (ciclica) quando è sulla pagina iniziale. Premere il pulsante per confermare.
6	Interruttore di accensione/ spegnimento	L'interruttore viene utilizzato per accendere e spegnere il tosaerba.
7	Interruttore (PTO) On/Off delle lame del piatto	Questo interruttore attiva i motori delle lame. Portare l'interruttore in posizione sollevata per avviare il motore delle lame e in posizione abbassata per arrestarlo.

i IMPORTANTE

Non azionare mai i motori delle lame quando il piatto è sotto carico. I motori o il piatto potrebbero essere danneggiati.

▲ AVVERTIMENTO

- Se una parte della macchina è danneggiata, non usare l'apparecchio.
- In caso di componenti mancanti, non usare l'apparecchio.
- In caso di componenti danneggiati o mancanti, contattare il centro di assistenza.

1. Aprire l'imballaggio.
2. Leggere la documentazione fornita nella confezione.
3. Estrarre gli accessori dall'imballaggio.
4. Estrarre l'apparecchio dall'imballaggio.
5. Smaltire i materiali di imballaggio conformemente alle normative locali.

▲ AVVERTIMENTO

Per motivi di sicurezza, inserire la batteria solo dopo aver assemblato completamente l'apparecchio.

3 INSTALLAZIONE

3.1 INSTALLAZIONE DEL SEDILE

Fare riferimento alla figura 3

1. Posizionare il gruppo sedile sopra il pannello del sedile e allineare i fori come indicato.
2. Installare i bulloni, le rondelle e i dadi e serrarli saldamente.
3. Attaccare le maniche ai dadi.
4. Assicurarsi che il sedile sia fissato saldamente.
5. Collegare la spina del sedile alla macchina.

3.2 INSTALLARE IL COPRIPACCIAMATURA

Fare riferimento alla figura 4

Al momento della spedizione, il tosaerba è configurato per lo scarico laterale. Se si desidera applicare pacciamatura:

1. Posizionare il copripacciamatura sulla linguetta sull'alloggiamento del tosaerba.
2. Allineare i fori nel copripacciamatura e i fori nell'alloggiamento del tosaerba.
3. Installare e serrare bulloni, viti, morsetti di fissaggio e anello del cuscinetto come indicato.

3.3 INSTALLAZIONE DELLE LEVE DI CONTROLLO

Fare riferimento alla figura 5-6

▲ AVVERTIMENTO

Le leve di sinistra e di destra dello sterzo devono essere regolate in modo che siano allineate l'una con l'altra quando sono in folle. NON installare MAI le leve dello sterzo ad un'altezza operativa asimmetrica.

1. Sollevare una leva di comando dello sterzo per allineare i fori nella leva con i fori nell'asta di montaggio corrispondente.
2. Selezionare l'altezza operativa della leva dello sterzo desiderata. Inserire le viti e le rondelle nei fori.
3. Utilizzare la chiave (13*16 mm) per fissare la leva dello sterzo.
4. Assemblare l'altra leva di comando dello sterzo allo stesso modo.

▲ AVVERTENZA

Non installare la leva di comando dello sterzo al contrario.

3.3.1 LEVE DI CONTROLLO

Le due leve controllano la velocità di marcia della macchina, la direzione, l'arresto, il bloccaggio in posizione neutra e il freno di stazionamento. Le leve permettono di sterzare, accelerare, decelerare, arrestare la macchina e cambiare direzione. Quando le leve di controllo sono in posizione di stazionamento, la macchina non si muoverà.

i NOTA

Guidare sempre con entrambe le mani. Non guidare con una sola mano.

3.3.2 UTILIZZARE L'APP

Fare riferimento alla figura 9-10

1. Visitare il sito web di Fleet Management: fleet.cramertools.com
2. Creare un account quindi accedi.
3. Invitare altri utenti della propria organizzazione.
4. Scansionare il codice QR, scaricare l'app e accedere.
5. Aggiungere un dispositivo. Individuare sul presente Manuale il numero di serie, il codice di associazione e il codice QR nell'etichetta apposta sul veicolo. Scansionare o digitare manualmente il codice QR.

3.4 MANOPOLA DI BYPASS DEL NEUTRO

Fare riferimento alla figura 7-8

1. Tirare le manopole del bypass del folle verso l'esterno e poi verso il basso per sbloccare il volante.
2. Riportare le manopole del bypass in folle in posizione per bloccare le ruote.

▲ AVVERTIMENTO

Non guidare la macchina con la manopola di bypass del neutro attivata. Riportare la manopola di bypass del neutro nella posizione originale prima di guidare la macchina! La mancata re-installazione della manopola potrebbe causare seri danni al tosaerba e invalidarne la garanzia!

▲ AVVERTIMENTO

Non sbloccare mai la manopola del bypass in folle quando la macchina sta lavorando in pendenza!

3.5 RUOTE ANTISCALPO

Fare riferimento alla figura 2

Le ruote antiscalpo sono un accessorio standard dei prodotti Cramer. Le ruote antiscalpo sono progettate per evitare la formazione di solchi durante il taglio di erba su terreni irregolari. Dopo aver impostato l'altezza di taglio, regolare le ruote antiscalpo in modo tale che si estendano sotto il piatto di taglio ma non siano a contatto con il terreno. Le ruote antiscalpo devono sporgere dalla parte inferiore del piatto di taglio di 0,6-1,9 cm. Con la macchina posizionata su una superficie piana e a livello, le ruote antiscalpo possono essere sollevate o abbassate da 1,9 cm a 4,4 cm dalla parte inferiore della superficie delle lame. Per sollevare o abbassare le ruote antiscalpo, usare i diversi fori di fissaggio dell'asse sulla staffa di fissaggio delle ruote (in base al modello).

4 ISTRUZIONI PER L'USO

4.1 OPERAZIONI PRELIMINARI

4.1.1 REGOLAZIONE DEL SEDILE

Fare riferimento alla figura 11

▲ AVVERTIMENTO

Assicurarsi che la seduta sia fissata saldamente prima di ogni utilizzo per evitare che il sedile si muova/si inclini in caso di rovesciamento o ribaltamento del tosaerba.

1. Spingere le leve di comando dello sterzo verso l'esterno in posizione FRENO DI PARCHEGGIO prima di regolare il sedile.
2. Sedersi sul sedile e sollevare la leva di regolazione dello stesso.
3. Tenendo la leva, far scorrere il sedile nella posizione desiderata.
4. Rilasciare la leva e assicurarsi che il sedile sia bloccato in posizione prima di azionare il tosaerba.

▲ AVVERTIMENTO

Assicurarsi che il sedile sia bloccato in posizione prima di utilizzare il tosaerba. Un sedile non sicuro può causare lo spostamento dell'operatore e la perdita di controllo del tosaerba, con possibili lesioni personali gravi o mortali.

4.1.2 REGOLAZIONE DELL'ALTEZZA DEL PIATTO DI TAGLIO

Fare riferimento alla figura 12

Prima di usare la macchina, regolare l'altezza del piatto di taglio in base alle condizioni dell'erba.

L'altezza del piatto è regolabile da 3.81-11.4 cm. L'altezza del piatto di taglio deve essere regolata durante il lavoro onde evitare ceppi, pietre o altri ostacoli che potrebbero danneggiarlo.

▲ AVVERTENZA

Tenere saldamente la leva di regolazione dell'altezza del piatto durante l'impostazione dell'altezza dello stesso e rilasciarla solo quando è fissata nella fessura desiderata. Il rilascio rapido della leva potrebbe schiacciare o trascinare la mano dell'operatore.

1. Arrestare il tosaerba e disinnestare le lame.
2. Girare la chiave in posizione OFF e inserire il freno di stazionamento.
3. Per sollevare il piatto di taglio, afferrare la leva di regolazione dell'altezza del piatto, spingerla a sinistra per sganciarla dalla fessura, spostarsi verso la parte posteriore del tosaerba, quindi spingerla a destra nella fessura per fissarla.
4. Per abbassare il piatto di taglio, afferrare la leva di regolazione dell'altezza del piatto, spingerla a sinistra per sganciarla dalla fessura, spostarla verso la parte anteriore del tosaerba, quindi spingerla a destra nella fessura per fissarla.

4.1.3 REGOLAZIONE DELLE LEVE DI CONTROLLO

Le leve di controllo possono essere regolate per il comfort dell'operatore. Per ruotare la leva di controllo superiore e portarla in una posizione confortevole per l'operatore, allentare le viti che la fissano alla leva di controllo inferiore. Le leve di controllo devono essere allineate tra loro quando si trovano in posizione neutra.

4.1.4 INSTALLAZIONE DEL GRUPPO BATTERIA

Fare riferimento alla figura 13

Per verificare che le batterie del tosaerba siano completamente cariche, controllare l'indicatore di livello della batteria. Fare riferimento al manuale della batteria per ulteriori dettagli.

1. Sollevare il pannello sedile.
2. Sollevare il coperchio del vano batteria.
3. Installare la batteria nel vano batteria.

▲ AVVERTIMENTO

Allineare le scanalature della batteria con la porta della batteria. Assicurarsi che il fermo della batteria scatti correttamente nel vano batteria.

4.1.5 PRIMA DI UTILIZZARE LA MACCHINA

- Assicurarsi che l'area di lavoro sia libera da bambini, astanti e animali domestici.
- Liberare l'area di lavoro da oggetti che potrebbero essere scagliati dalle lame del tosaerba.
- Controllare il funzionamento del freno.
- Controllare la pressione degli pneumatici.
- Verificare che non vi siano elementi di fissaggio allentati.

- Verificare che tutte le protezioni siano al loro posto e funzionino correttamente.
- Rimuovere eventuali detriti dal tosaerba.
- Testare il sistema di interblocco di sicurezza.
- Regolare il sedile nella posizione desiderata.
- Verificare il livello di carica della batteria.

4.1.6 SISTEMA DI BLOCCAGGIO DI SICUREZZA

La macchina è dotata di un sistema di blocco dell'avviamento di sicurezza costituito dagli interruttori del freno di stazionamento, dall'interruttore di presenza dell'operatore e dall'interruttore ON e OFF delle lame del piatto.

Il sistema di blocco dell'avviamento di sicurezza del tosaerba è progettato anche per proteggere l'operatore ed eventuali terzi da lesioni accidentali dovute all'avviamento involontario del sistema di trazione.

Controllare quotidianamente il sistema di blocco dell'avviamento di sicurezza della falciatrice prima di ogni uso. Questo sistema è un'importante caratteristica di sicurezza del tosaerba. Deve essere riparato immediatamente se non funziona correttamente. La macchina incorpora un interruttore di presenza dell'operatore separato che arresterà il sistema di trasmissione e i motori del piatto quando l'operatore non è sul posto per qualsiasi motivo mentre il tosaerba è in funzione. Si tratta di una funzione di sicurezza progettata per prevenire operazioni incontrollate o l'aggravamento accidentale.

▲ AVVERTIMENTO

Non scollegare o manomettere il sistema di bloccaggio di sicurezza, per evitare che la macchina si avvii accidentalmente, con il rischio di lesioni.

Per ispezionare il sistema:

1. L'operatore deve trovarsi sul sedile durante il test sull'interruttore di presenza operatore.
2. Girare la chiave per avviare la macchina.
3. Tirare le leve di comando dello sterzo verso le aree di parcheggio.
4. Tirare verso l'alto l'interruttore PTO per azionare il motore.
5. Alzarsi lentamente dal sedile. Il sistema della lama del piatto dovrebbe arrestarsi.
6. Se il sistema della lama del piatto non si arresta quando l'operatore è sceso dal sedile e se la causa non può essere determinata, contattare immediatamente il proprio rivenditore Cramer.

4.2 AZIONARE LA MACCHINA

4.2.1 ACCENSIONE DELL'APPARECCHIO

Fare riferimento alla figura 14

i NOTA

Liberare l'area da eventuali astanti prima di utilizzare il tosaerba. Se qualcuno entra nell'area di falciatura, fermarsi immediatamente; il lavoro non deve riprendere fino a quanto gli astanti non abbiano lasciato l'area.

1. Sollevare il piatto di taglio nella posizione più alta.
2. Inserire la chiave di avviamento e girarla in posizione ON.
3. Tirare verso l'interno le leve di comando dello sterzo destro e sinistro.
4. Tirare verso l'alto l'interruttore PTO sul piatto per avviare le lame di taglio per la falciatura.

i NOTA

Innestare le lame solo quando le leve di comando dello sterzo sono in posizione FOLLE! NON innestare MAI le lame durante il movimento!

5. Posizionare le leve di comando dello sterzo in avanti (D) e guidare fino alla posizione di taglio desiderata.

i NOTA

Prestare attenzione quando si attraversano sentieri di ghiaia o passi carrai. Prima di attraversare, disinnestare le lame e sollevare il piatto di taglio nella posizione più alta per ridurre al minimo la possibilità di rimbalzo. Guidare lentamente per evitare la perdita di trazione e controllo.

i NOTA

Non tentare di cambiare la direzione di funzionamento mentre il tosaerba è in movimento. Fermarsi sempre completamente prima di cambiare la direzione del tosaerba.

i NOTA

Le leve di comando dello sterzo torneranno in posizione neutra se rilasciate, ma è comunque necessario controllarle manualmente per raggiungere la posizione neutra.

IT

4.2.2 GUIDA DELLA MACCHINA

Dopo aver avviato il sistema di trazione, guidare la macchina usando le leve di controllo come descritto di seguito.

▲ AVVERTIMENTO

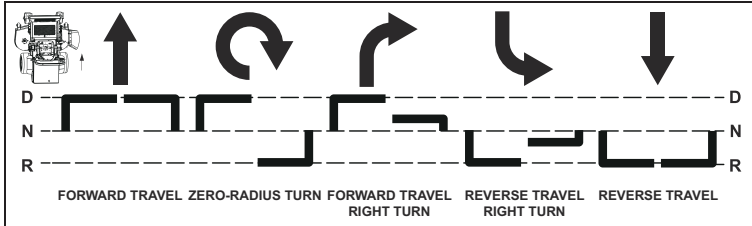
Guardare dietro di sé prima di fare retromarcia. Non tagliare l'erba in retromarcia a meno che non sia assolutamente necessario. Guardare sempre in basso e all'indietro prima e durante la retromarcia.

▲ AVVERTIMENTO

Non spostare rapidamente le leve di controllo per evitare il rischio di danni ai componenti del sistema elettronico.

- **Per andare avanti**, spingere in avanti le leve di comando dello sterzo alla stessa distanza.
- **Per andare indietro**, tirare all'indietro le leve di comando dello sterzo alla stessa distanza.
- **Per girare a sinistra**, spostare la leva di comando dello sterzo destra più in avanti rispetto alla leva di comando dello sterzo sinistra.
- **Per girare a destra**, spostare la leva di comando dello sterzo sinistra più in avanti dalla posizione di folle rispetto alla leva di comando dello sterzo destra.
- **Per eseguire una virata a raggio zero**, spostare una leva di comando dello sterzo in avanti e l'altra leva di comando dello sterzo all'indietro. Ciò consentirà alle ruote motrici di ruotare in senso contrario.
- **Per fermarsi o diminuire la velocità**, portare le leve di comando dello sterzo in folle. Durante l'avanzamento, portare lentamente le leve di controllo all'indietro. Quando si procede in retromarcia, spingere leggermente in avanti le leve di comando dello sterzo.
- **Per un arresto di emergenza**, si possono utilizzare due diversi metodi:
 - Quando si procede in avanti o in retromarcia, posizionare immediatamente le leve di comando dello sterzo nella posizione del freno di stazionamento. Durante la retromarcia, portare lentamente le leve di controllo in avanti ed evitare spostamenti bruschi. Qualsiasi movimento improvviso potrebbe portare al distacco della parte anteriore del tosaerba dal terreno, con possibile perdita di controllo, e conseguenti lesioni gravi o mortali.
 - Girare la chiave di avviamento in posizione OFF. Questa manovra spegnerà il sistema di azionamento della trazione e il sistema di azionamento del piatto.
- **Per svoltare di tre punti a destra**, spostare la leva di comando dello sterzo sinistra più in avanti dalla posizione di folle rispetto alla leva di comando dello sterzo destra e svoltare. Quindi portare le leve di controllo all'indietro finché non superano la posizione neutra e la macchina non inizia la retromarcia. Portare la leva di controllo destra più indietro rispetto alla leva di controllo sinistra finché la parte posteriore della macchina non ha effettuato la svolta. Quindi portare le leve di controllo in avanti finché entrambe non superano la posizione neutra e la macchina non inizia ad avanzare. Spingere la leva di comando dello sterzo sinistra più in avanti dalla posizione di folle rispetto alla leva di comando dello sterzo destra e terminare la virata.
- **Per aumentare la velocità**, aumentare la distanza delle leve di controllo dalla posizione neutra. Più le leve di controllo vengono portate in avanti, maggiore sarà la velocità di avanzamento della macchina. Più le leve di controllo vengono portate all'indietro, maggiore sarà la velocità di retromarcia della macchina.

LA PARTE ANTERIORE DEL TOSAERBA È RIVOLTA IN QUESTA DIREZIONE



N= POSIZIONE IN FOLLE

D= POSIZIONE DI GUIDA

R= POSIZIONE DI RETROMARCIA

La direzione delle frecce indica la direzione del movimento del tosaerba



Leva comando sterzo sinistra

Leva comando sterzo destra

4.2.3 ARRESTO DELL'APPARECCHIO

▲ PERICOLO

Non frenare o invertire la direzione improvvisamente, in particolare durante la guida su terreni in pendenza. Le leve di controllo sono molto reattive. Lo spostamento rapido delle leve di controllo, in qualsiasi direzione, può causare una reazione anomala della macchina, con il rischio di lesioni gravi.

1. Riportare le leve di comando dello sterzo in posizione di folle. Spingere le leve di comando dello sterzo verso l'esterno nella posizione del freno di stazionamento.
2. Spingere verso il basso l'interruttore ON/OFF (PTO) delle lame del piatto di taglio per spegnere le lame.
3. Ruotare la chiave nell'interruttore di alimentazione in posizione OFF.

▲ AVVERTENZA

Si consiglia di rimuovere la chiave di avviamento dalla macchina per evitare l'avvio accidentale.

4.2.4 UTILIZZARE LA PRESA DI RICARICA USB

Fare riferimento alla figura 15

La porta di ricarica USB fornisce una potenza di ricarica di 5 Volt CC fino a 2,1 ampere per telefono cellulare, lettore MP3 o altri dispositivi USB. Consultare il manuale dell'utente del dispositivo per i requisiti di ricarica specifici.

Collegare un'estremità di un cavo USB (non fornito) al dispositivo e l'altra estremità alla porta di ricarica USB del tosaerba, per iniziare a caricare il dispositivo.

i NOTA

Il tentativo di caricare dispositivi con potenza nominale superiore a 2,1 ampere potrebbe danneggiare la porta di ricarica USB e/o il tosaerba.

i NOTA

La porta USB è alimentata solo all'avvio della macchina.

▲ AVVERTIMENTO

Non utilizzare mai le cuffie o altro dispositivo elettronico, quali smartphone o tablet, mentre si utilizza il tosaerba. La guida distratta può provocare un incidente con conseguenze di morte o di gravi lesioni all'operatore o ad un eventuale astante.

4.2.5 SUGGERIMENTI PER L'USO

▲ PERICOLO

Prima dell'uso, l'operatore deve familiarizzarsi con l'uso corretto della macchina e leggere attentamente tutto il manuale. Inoltre, deve fare pratica eseguendo manovre a bassa velocità per prendere dimestichezza con il funzionamento della macchina prima di guidarla a velocità normale. Gli operatori inesperti non devono guidare su terreni irregolari o in pendenza.

▲ AVVERTIMENTO

Se si perde il controllo dello sterzo durante l'utilizzo della macchina, posizionare immediatamente le leve di comando dello sterzo nella posizione del freno di stazionamento e girare la chiave in posizione OFF. Prima di continuare ad utilizzare la macchina, ispezionarla e contattare il proprio rivenditore Cramer per risolvere il problema.

▲ AVVERTIMENTO

Le leve di controllo della macchina sono molto reattive. Per assicurare una guida fluida, spostare le leve lentamente ed evitare movimenti bruschi. La pratica e l'esperienza renderanno l'uso della macchina più facile e controllato. La macchina può ruotare molto rapidamente. Prestare attenzione durante le svolte e rallentare prima di effettuare curve strette.

Gli operatori inesperti tendono a sovrasterzare, con il rischio di perdita di controllo. Si raccomanda di fare pratica eseguendo manovre a bassa velocità per prendere dimestichezza con il funzionamento della macchina prima di guidarla a velocità normale.

▲ AVVERTIMENTO

Depressioni ripide o ostacoli sopraelevati (come canali o marciapiedi) non devono essere affrontati direttamente ad alta velocità allo scopo di saltarli, perché l'operatore potrebbe venire sbalzato dalla macchina. Avvicinarsi a bassa velocità, portando una ruota motrice angolarmente rispetto all'ostacolo. Proseguire angolarmente finché la ruota non supera l'ostacolo, quindi girare la ruota opposta.

Durante le svolte su prati soffici o bagnati, mantenere entrambe le ruote in movimento, sia durante l'avanzamento che in retromarcia. Non usare una ruota come fulcro per evitare di danneggiare il prato. Mantenere le lame affilate. Risultati di taglio scadenti sono spesso dovuti a lame smussate o affilate in modo scorretto. Verificare quotidianamente che le lame siano affilate.

▲ PERICOLO

Non intervenire sulle lame quando la chiave è inserita nell'interruttore di accensione. Posizionare sempre l'interruttore ON/OFF (PTO) delle lame del piatto di taglio in posizione di disinnesto, posizionare le leve di comando dello sterzo in posizione del freno di stazionamento, girare la chiave in posizione OFF e rimuovere la chiave dall'interruttore. Bloccare la macchina in posizione rialzata se è necessario intervenire sulla parte inferiore. Indossare guanti di protezione durante la manipolazione delle lame. Se la macchina urta una pietra, un ramo o un altro oggetto estraneo durante l'uso, ispezionare le lame per assicurarsi che non siano danneggiate.

- **Scaricare l'erba verso destra**, lontano dal prato non rasato. Selezionare un percorso di taglio che permetta di scaricare l'erba verso l'esterno dell'area di lavoro. Generalmente questo tipo di percorso comporta svolte a sinistra, perché lo scarico si trova sul lato destro della macchina. In ogni caso, evitare di scaricare l'erba verso l'area non rasata per evitare di tagliare l'erba due volte. La doppia falciatura comporta un carico inutile sull'unità e riduce l'efficienza della falciatura.
- **Durante la prima rasatura del prato**, lasciare l'erba leggermente più alta del normale per evitare di lasciare solchi sui terreni irregolari. Se possibile, utilizzare la stessa altezza di taglio impostata in precedenza. Quando si taglia l'erba più alta di 152 mm (6"), si consiglia di falciare il prato due volte per ottenere migliori risultati.
- **Durante la rasatura normale**, tagliare solo 38 mm (1.5") dell'altezza dell'erba. Una rasatura più profonda non è raccomandato a meno che l'erba non sia rada o sia la fine della stagione di falciatura.
- **Alternare la schema di taglio nelle operazioni di falciatura** per mantenere la crescita dritta dell'erba e una migliore dispersione dello sfalcio.

- **È importante ricordare che l'erba cresce a diversi ritmi durante il corso dell'anno.** Tagliare l'erba più spesso a inizio primavera per mantenere la stessa altezza di taglio. Poiché il ritmo di crescita rallenta a metà estate, ridurre la frequenza del taglio. Se non è possibile falciare ad intervalli regolari, falciare inizialmente ad un'altezza di taglio elevata, poi falciare di nuovo due giorni dopo ad un'altezza di taglio inferiore.
- **Aumentare l'altezza di taglio del tosaerba** se la larghezza di taglio della falciatrice è più ampia della falciatrice precedente. Ciò garantisce che un tappeto erboso irregolare non venga tagliato troppo corto.
- **Aumentare l'altezza di taglio** se l'erba è leggermente più alta del normale o se contiene un elevato grado di umidità. Quindi tagliarla nuovamente a un'altezza inferiore.
- **Se è necessario arrestare l'avanzamento della macchina** durante il taglio, un cumulo di residui di erba potrebbe cadere sul prato. Per evitare questo inconveniente, spostarsi su un'area già rasata con il motore delle lame in funzione.
- **Ricaricare immediatamente la batteria** se la carica della batteria della macchina è inferiore al 5%.

Modello	Capacità della batteria	Azione	Capacità della batteria	Azione
82ZT107	≤5%	La velocità massima di guida sarà di 6.4 km/h.	≤5%	Il motore delle lame si arresterà automaticamente. Riportare immediatamente la macchina nell'area di ricarica della batteria e collegarla al caricabatteria.

- **Attendere che il motore si raffreddi per 30 minuti.** Se il motore di trazione supera la temperatura limite, la velocità del motore diminuirà. Se la temperatura continua ad aumentare, il motore si arresterà.

4.2.6 UTILIZZO SU TERRENI IN PENDENZA

Fare riferimento alla figura 16

Le pendenze sono un fattore importante correlato alla perdita di controllo e agli incidenti di ribaltamento, che possono provocare lesioni gravi o morte. Il funzionamento su tutte le pendenze richiede particolare cautela. Se risulta difficile risalire il pendio o se l'operazione crea disagio, si raccomanda di non procedere.

- Viaggiare nella direzione consigliata dal produttore sui pendii. Prestare attenzione mentre si opera in prossimità di dislivelli.
- Non utilizzare la macchina in nessuno dei casi in cui trazione, sterzo o stabilità potrebbero essere compromessi. I pneumatici potrebbero slittare anche se le ruote sono ferme.
- Mantenere sempre la marcia innestata durante la discesa. Non procedere a motore spento in discesa.
- Usare estrema cautela quando si opera su pendii.
- Non rimuovere o modificare le ruote.
- Evitare buche, solchi, dossi, pietre o altri ostacoli nascosti. I terreni irregolari possono causare il ribaltamento della macchina. L'erba alta può nascondere eventuali ostacoli.
- Rimuovere ostacoli quali rocce, rami di alberi, immondizia, ecc.
- Tutti i movimenti sui terreni in pendenza devono essere lenti e gradualmente. Non effettuare cambi improvvisi di velocità o direzione.
- Evitare partenze e fermate in pendenza. Se le ruote perdono aderenza, arrestare le lame e procedere lentamente in discesa.
- Guidare a una distanza di sicurezza (almeno 3 metri) da fossati, muri di sostegno, scarpate, canali di drenaggio, corpi d'acqua e qualsiasi altro tipo di pericolo per evitare che una ruota superi il ciglio di un fossato o che il margine frani. Ciò riduce il rischio di capovolgimento improvviso della macchina e di lesioni gravi o mortali.
- Usare un tosaerba a spinta o un decespugliatore manuale sui terreni in pendenza e in prossimità di fossati, muri di sostegno, scarpate, canali di drenaggio e corpi d'acqua.
- Non falciare su erba bagnata. Una scarsa aderenza del terreno può causare lo scivolamento della macchina e la perdita di controllo.
- Non trainare un rimorchio sui terreni in pendenza. Il peso dell'attrezzatura trainata può causare la perdita di trazione e controllo.

- Se i pneumatici del tosaerba perdono trazione durante il funzionamento in pendenza, disinnestare la trasmissione del piatto di taglio, posizionare le leve di comando dello sterzo nella posizione del freno di stazionamento, girare la chiave di avviamento in posizione OFF, rimuovere la chiave e chiedere assistenza.
- Non effettuare partenze, arresti, svolte o inversioni di marcia improvvise, soprattutto durante le manovre in pendenza. Le leve di controllo sono molto reattive. Lo spostamento rapido delle leve di controllo, in qualsiasi direzione, può causare una reazione anomala della macchina, con il rischio di lesioni gravi.
- Non arrestare improvvisamente la macchina durante la retromarcia su terreni in pendenza, perché la macchina può reagire in modo inaspettato, con il rischio di lesioni gravi.
- Il tosaerba Cramer è in grado di operare orizzontalmente (traversa) su pendenze moderate. Quando si opera su pendenze fino a 15 gradi, fare attenzione a tutte le condizioni che potrebbero causare la perdita di trazione delle ruote motrici del tosaerba, con conseguente possibile perdita di controllo della macchina. L'operatore non deve lavorare su un pendio fino a quando non ha una completa familiarità con l'attrezzatura.

Non operare su pendenze superiori a 15 gradi.

Consultare la Guida alla pendenza per determinare il grado di pendenza da tagliare. Si raccomanda di allontanare la macchina dal terreno in pendenza, prestando estrema attenzione, se si percepisce una perdita di aderenza. Individuare la causa del problema prima di usare nuovamente la macchina sul terreno in pendenza. Le condizioni del terreno possono ridurre l'aderenza, con il rischio di perdita di controllo della macchina. Alcune condizioni da tenere a mente sono:

1. Terreno bagnato
2. Depressioni nel terreno (ad esempio, buche, solchi, dilavamenti)
3. Cumuli di terra
4. Certi tipi di terreno (ad esempio sabbia, terra sciolta, ghiaia, argilla)
5. Tipo di erba, densità e altezza
6. Condizioni di aridità estrema
7. Pressione degli pneumatici

Gli accessori montati sul tosaerba influenzeranno anche il modo in cui si la macchina si comporta su terreni in pendenza. Tenere presente che le caratteristiche di ciascun accessorio variano.

Questi sono solo alcuni esempi di situazioni in cui è necessario prestare attenzione quando si opera su terreni in pendenza. Ne esistono molte altre, e non è possibile menzionarle tutte. Ricordarsi di prestare estrema attenzione durante l'uso della macchina su terreni in pendenza.

5 SISTEMA ELETTRICO

5.1 SICUREZZA ELETTRICA

- Rimuovere la chiave e le batterie e leggere il manuale dell'operatore prima di regolare o riparare la macchina.
- Rimuovere sempre la chiave e le batterie prima di lavorare sulla presente macchina.
- Rimuovere sempre la chiave e le batterie durante il trasporto della macchina.
- Mantenere la macchina priva di residui di erba, foglie e altri detriti. NON spruzzare acqua per pulire la macchina. Utilizzare esclusivamente aria compressa. Indossare adeguate protezioni per gli occhi e le orecchie durante la pulizia della macchina.
- Indossare sempre occhiali di sicurezza e dispositivi di protezione vicino alla batteria. Usare utensili elettricamente isolati.
- Pulire il vano batteria, il vano motore, il piatto di taglio, il sedile ecc. e rimuovere sporcizia e detriti. Non usare solventi, detergenti aggressivi o sostanze abrasive.

- Con la chiave in posizione ON, la lama del tosaerba può innestarsi quando l'interruttore ON/OFF (PTO) delle lame del piatto è innestato, anche se il motore di trasmissione non gira. Tenere l'area libera da astanti quando si inserisce l'interruttore ON/OFF della lama del piatto di taglio.
- Tutte le aree di manutenzione e stoccaggio devono essere adeguatamente ventilate in conformità con i codici e le ordinanze antincendio applicabili onde evitare rischi di incendio.
- Non fumare, non accendere fuochi e non causare scintille in prossimità delle batterie.
- Tenere le batterie fuori dalla portata dei bambini.
- Mantenere i dispositivi di protezione correttamente posizionati e fissati saldamente. Se sono danneggiati, ripararli o sostituirli immediatamente. Non rimuovere o modificare i dispositivi di sicurezza.

5.2 INFORMAZIONI SUL SISTEMA ELETTRICO.

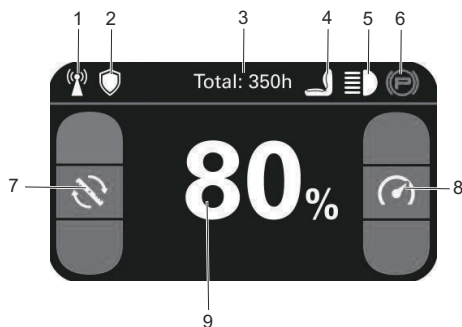
Il tosaerba Cramer è alimentato da un sistema elettrico a 82 volt. Consiste dei seguenti componenti:

1. Regolatore lama (1)
2. Motore lama (2)

3. Regolatore guida (1)
4. Acceleratore - destra (1)
5. Acceleratore - sinistra (2)
6. Display digitale (1)
7. Motore ruote (2)
8. Batteria (1)

5.3 DISPLAY DIGITALE

La funzione del display digitale, situato sul pannello di controllo, è fornire informazioni sul sistema elettrico all'operatore. Tali informazioni sono fornite sotto forma di grafici, codici e cifre.



N.	Nome	Funzione
1		Segnale GPS 4G
2		Scudo Verde
3	Totale: 350 ore	Tempo di lavoro del veicolo
4		Il pulsante del sedile è chiuso.
5		Luci LED
6		Il freno di stazionamento è inserito.
7		Velocità lama
8		Velocità di guida
9	80%	Percentuale batteria

IT

6 ERRORE

Il sistema CANBUS interviene per proteggere l'utente e la macchina quando rileva un problema. Quando agisce per spegnere la macchina o un componente, indicherà che si è verificato un errore e tale errore verrà visualizzato sul display digitale. Tutti gli errori elettrici sono contrassegnati da una lettera seguita da un numero. La prima lettera descrive il sistema che ha causato l'errore come nel presente grafico:

Nome	Significato
TR	Regolatore di guida e motore destro
TL	Regolatore di guida e motore sinistro
PMU	Unità di gestione dell'alimentazione (nella cabina della batteria)
ML	Regolatore motore lama sinistro
MR	Regolatore motore lama destro

6.1 CODICE ERRORE

Codice errore	Descrizione	Soluzione
TR1	Errore di posizionamento del motore	Riavviare l'alimentazione.
TR2	Motore di azionamento in stallo	Controllare se le ruote motrici sono bloccate e riavviare l'alimentazione.
TR3	Protezione motore a bassa velocità	Riavviare l'alimentazione.
TR4	Protezione da eccessiva velocità del motore	Riavviare l'alimentazione.
TR5	Errore del sensore Hall del motore	Verificare che il connettore effetto Hall del regolatore azionamento sia collegato correttamente, quindi riavviare l'alimentazione.
TR6	Perdita di fase del regolatore	Verificare che i cavi del motore del regolatore azionamento siano collegati correttamente, quindi riavviare l'alimentazione.
TR7	Errore di circuito aperto MOSFET	Se si riscontra questo problema, contattare il proprio distributore per trovare una soluzione.
TR8	Tensione regolatore bassa	La tensione è troppo bassa. Ricaricare il gruppo batteria prima dell'uso.
TR9	Tensione regolatore alta	La tensione è troppo alta. Riavviare l'alimentazione.
TR10	Bassa temperatura della batteria	La temperatura del vano batteria e della batteria è troppo bassa. Utilizzare la macchina ad una temperatura adeguata e riavviare l'alimentazione.
TR11	Temperatura PMU troppo alta Temperatura batteria alta	La temperatura del vano batteria e della batteria è troppo alta. Attendere che la batteria si raffreddi, quindi riavviare l'alimentazione.
TR12	Temperatura motore troppo alta	La temperatura del motore è troppo alta. Attendere che il motore si raffreddi, quindi riavviare l'alimentazione.
TR13	Temperatura regolatore troppo alta	La temperatura del regolatore è troppo alta. Attendere che il regolatore si raffreddi, quindi riavviare l'alimentazione.
TR14	Software in sovracorrente	Il carico è troppo alto. Riavviare l'alimentazione.
TR15	Hardware in sovracorrente	Il carico è troppo alto. Riavviare l'alimentazione.
TR16	Errore del regolatore di velocità	Verificare che il regolatore di velocità della maniglia sia collegato correttamente, quindi riavviare l'alimentazione.
TR17	Errore di pre-carica del regolatore	Riavviare l'alimentazione.
TR18	Errore freni	Riavviare l'alimentazione.
TR19	Errore di sequenza operativa	Posizionare le maniglie a sinistra e destra in posizione di stazionamento e l'interruttore di avviamento della lama in posizione OFF. Accomodarsi sul sedile e riprovare.
TR20	Errore del sensore angolo	Riavviare l'alimentazione.
TR21	Errore relè	Riavviare l'alimentazione.
TR22	Errore valvola magnetica	Verificare che l'elettrovalvola del motore di azionamento sia collegata correttamente, quindi riavviare l'alimentazione.
TR23	Errore di comunicazione del vano batteria (PMU).	Errore di comunicazione con il vano batterie. Riavviare l'alimentazione.

Codice errore	Descrizione	Soluzione
TR24	Guasto vano batteria (PMU).	Errore minore/importante nel vano batteria. Eseguire un controllo e riavviare l'alimentatore.
TR25	Errore di timeout CAN - guida a sinistra	Errore di comunicazione con il regolatore dell'unità di sinistra. Riavviare l'alimentazione.
TR26	Errore di timeout CAN - guida a destra	Errore di comunicazione con il regolatore dell'unità di destra. Riavviare l'alimentazione.
TR27	Errore di timeout CAN - lama sinistra	Errore di comunicazione con il regolatore lama sinistra. Riavviare l'alimentazione.
TR28	Errore di timeout CAN - lama centrale	Errore di comunicazione con il regolatore lama centrale. Riavviare l'alimentazione.
TR29	Errore di timeout CAN - lama destra	Errore di comunicazione con il regolatore lama destra. Riavviare l'alimentazione.
TR30	Errore del coperchio ribaltabile del vano batteria	Verificare che il connettore sotto il sedile sia collegato correttamente, quindi riavviare l'alimentazione.
TR31	Errore verifica interruttore presenza operatore	Verificare che il connettore sotto il sedile sia collegato correttamente, quindi riavviare l'alimentazione.
TR32	Errore di autenticazione software	Riavviare l'alimentazione.
TL1	Errore di posizionamento del motore	Riavviare l'alimentazione.
TL2	Motore di azionamento in stallo	Controllare se le ruote motrici sono bloccate e riavviare l'alimentazione.
TL3	Protezione da bassa velocità del motore	Riavviare l'alimentazione.
TL4	Protezione da eccessiva velocità del motore	Riavviare l'alimentazione.
TL5	Errore del sensore Hall del motore	Verificare che il connettore effetto Hall del regolatore azionamento sia collegato correttamente, quindi riavviare l'alimentazione.
TL6	Perdita di fase del regolatore	Verificare che i cavi del motore del regolatore azionamento siano collegati correttamente, quindi riavviare l'alimentazione.
TL7	Errore di circuito aperto MOSFET	Se si riscontra questo problema, contattare il proprio distributore per trovare una soluzione.
TL8	Tensione regolatore bassa	La tensione è troppo bassa. Ricaricare il gruppo batteria prima dell'uso.
TL9	Tensione regolatore alta	La tensione è troppo alta. Riavviare l'alimentazione.
TL10	Bassa temperatura della batteria	La temperatura del vano batteria e della batteria è troppo bassa. Utilizzare la macchina ad una temperatura adeguata e riavviare l'alimentazione.
TL11	Temperatura PMU troppo alta Temperatura batteria alta	La temperatura del vano batteria e della batteria è troppo alta. Attendere che la batteria si raffreddi, quindi riavviare l'alimentazione.
TL12	Temperatura motore troppo alta	La temperatura del motore è troppo alta. Attendere che il motore si raffreddi, quindi riavviare l'alimentazione.
TL13	Temperatura regolatore troppo alta	La temperatura del regolatore è troppo alta. Attendere che il regolatore si raffreddi, quindi riavviare l'alimentazione.
TL14	Software in sovraccorrente	Il carico è troppo alto. Riavviare l'alimentazione.

Codice errore	Descrizione	Soluzione
TL15	Hardware in sovracorrente	Il carico è troppo alto. Riavviare l'alimentazione.
TL16	Errore del regolatore di velocità	Verificare che il regolatore di velocità della maniglia sia collegato correttamente, quindi riavviare l'alimentazione.
TL17	Errore di pre-carica del regolatore	Riavviare l'alimentazione.
TL18	Errore freni	Riavviare l'alimentazione.
TL19	Errore di sequenza operativa	Posizionare le maniglie a sinistra e destra in posizione di stazionamento e l'interruttore di avviamento della lama in posizione OFF. Accomodarsi sul sedile e riprovare.
TL20	Errore del sensore angolo	Riavviare l'alimentazione.
TL21	Errore relè	Riavviare l'alimentazione.
TL22	Errore valvola magnetica	Verificare che l'elettrovalvola del motore di azionamento sia collegata correttamente, quindi riavviare l'alimentazione.
TL23	Errore di comunicazione del vano batteria (PMU).	Errore di comunicazione con il vano batterie. Riavviare l'alimentazione.
TL24	Guasto vano batteria (PMU).	Errore minore/importante nel vano batteria. Eseguire un controllo e riavviare l'alimentatore.
TL25	Errore di timeout CAN - guida a sinistra	Errore di comunicazione con il regolatore dell'unità di sinistra. Riavviare l'alimentazione.
TL26	Errore di timeout CAN - guida a destra	Errore di comunicazione con il regolatore dell'unità di destra. Riavviare l'alimentazione.
TL27	Errore di timeout CAN - lama sinistra	Errore di comunicazione con il regolatore lama sinistra. Riavviare l'alimentazione.
TL28	Errore di timeout CAN - lama centrale	Errore di comunicazione con il regolatore lama centrale. Riavviare l'alimentazione.
TL29	Errore di timeout CAN - lama destra	Errore di comunicazione con il regolatore lama destra. Riavviare l'alimentazione.
TL30	Errore del coperchio ribaltabile del vano batteria	Verificare che il connettore sotto il sedile sia collegato correttamente, quindi riavviare l'alimentazione.
TL31	Errore di verifica interruttore sedile	Verificare che il connettore sotto il sedile sia collegato correttamente, quindi riavviare l'alimentazione.
TL32	Errore di autenticazione software	Riavviare l'alimentazione.
ML1	Errore di posizionamento del motore	Riavviare l'alimentazione.
ML2	Motore lama in stallo	Controllare il carico di taglio e riportare l'interruttore di avviamento della lama nella posizione iniziale.
ML3	Protezione motore a bassa velocità	Riavviare l'alimentazione.
ML4	Protezione da eccessiva velocità del motore	Riavviare l'alimentazione.
ML5	Errore del sensore Hall del motore	Verificare che il connettore effetto Hall del regolatore lama sia collegato correttamente, quindi riavviare l'alimentazione.
ML6	Perdita di fase del regolatore	Verificare che i cavi del motore del regolatore azionamento siano collegati correttamente, quindi riavviare l'alimentazione.
ML7	Errore di circuito aperto MOSFET	Se si riscontra questo problema, contattare il proprio distributore per trovare una soluzione.

Codice errore	Descrizione	Soluzione
ML8	Tensione regolatore bassa	La tensione è troppo bassa. Ricaricare il gruppo batteria prima dell'uso.
ML9	Tensione regolatore alta	La tensione è troppo alta. Riavviare l'alimentazione.
ML10	Bassa temperatura della batteria	La temperatura del vano batteria e della batteria è troppo bassa. Utilizzare la macchina ad una temperatura adeguata e riavviare l'alimentazione.
ML11	Temperatura PMU troppo alta Temperatura batteria alta	La temperatura del vano batteria e della batteria è troppo alta. Attendere che la batteria si raffreddi, quindi riavviare l'alimentazione.
ML12	Temperatura motore troppo alta	La temperatura del motore è troppo alta. Attendere che il motore si raffreddi, quindi riavviare l'alimentazione.
ML13	Temperatura regolatore troppo alta	La temperatura del regolatore è troppo alta. Attendere che il regolatore si raffreddi, quindi riavviare l'alimentazione.
ML14	Software in sovraccorrente	Il carico è troppo alto. Riavviare l'alimentazione.
ML15	Hardware in sovraccorrente	Il carico è troppo alto. Riavviare l'alimentazione.
ML16	Errore del regolatore di velocità	Verificare che il regolatore di velocità della maniglia sia collegato correttamente, quindi riavviare l'alimentazione.
ML17	Errore di pre-carica del regolatore	Riavviare l'alimentazione.
ML18	Errore freni	Riavviare l'alimentazione.
ML19	Errore di sequenza operativa	Posizionare le maniglie a sinistra e destra in posizione di stazionamento e l'interruttore di avviamento della lama in posizione OFF. Accomodarsi sul sedile e riprovare.
ML20	Errore del sensore angolo	Riavviare l'alimentazione.
ML21	Errore relè	Riavviare l'alimentazione.
ML22	Errore valvola magnetica	Verificare che l'elettrovalvola del motore sia collegata correttamente, quindi riavviare l'alimentazione.
ML23	Errore di comunicazione del vano batteria (PMU).	Errore di comunicazione con il vano batterie. Riavviare l'alimentazione.
ML24	Guasto vano batteria (PMU).	Errore minore/importante nel vano batteria. Eseguire un controllo e riavviare l'alimentazione.
ML25	Errore di timeout CAN - guida a sinistra	Errore di comunicazione con il regolatore dell'unità di sinistra. Riavviare l'alimentazione.
ML26	Errore di timeout CAN - guida a destra	Errore di comunicazione con il regolatore dell'unità di destra. Riavviare l'alimentazione.
ML27	Errore di timeout CAN - lama sinistra	Errore di comunicazione con il regolatore lama sinistra. Riavviare l'alimentazione.
ML28	Errore di timeout CAN - lama centrale	Errore di comunicazione con il regolatore lama centrale. Riavviare l'alimentazione.
ML29	Errore di timeout CAN - lama destra	Errore di comunicazione con il regolatore lama destra. Riavviare l'alimentazione.
ML30	Errore del coperchio ribaltabile del vano batteria	Verificare che il connettore sotto il sedile sia collegato correttamente, quindi riavviare l'alimentazione.
ML31	Impossibile verificare il segnale lama	Verificare che l'interruttore di avviamento della lama sia collegato correttamente, quindi riportare l'interruttore nella posizione iniziale.
ML32	Errore di autenticazione software	Riavviare l'alimentazione.

Codice errore	Descrizione	Soluzione
MR1	Errore di posizionamento del motore	Riavviare l'alimentazione.
MR2	Motore lama in stallo	Controllare il carico di taglio e riportare l'interruttore di avviamento della lama nella posizione iniziale.
MR3	Protezione motore a bassa velocità	Riavviare l'alimentazione.
MR4	Protezione da eccessiva velocità del motore	Riavviare l'alimentazione.
MR5	Errore del sensore Hall del motore	Verificare che il connettore effetto Hall del regolatore lama sia collegato correttamente, quindi riavviare l'alimentazione.
MR6	Perdita di fase del regolatore	Verificare che i cavi del motore del regolatore azionamento siano collegati correttamente, quindi riavviare l'alimentazione.
MR7	Errore di circuito aperto MOSFET	Se si riscontra questo problema, contattare il proprio distributore per trovare una soluzione.
MR8	Tensione regolatore bassa	La tensione è troppo bassa. Ricaricare il gruppo batteria prima dell'uso.
MR9	Tensione regolatore alta	La tensione è troppo alta. Riavviare l'alimentazione.
MR10	Bassa temperatura della batteria	La temperatura del vano batteria e della batteria è troppo bassa. Utilizzare la macchina ad una temperatura adeguata e riavviare l'alimentazione.
MR11	Temperatura PMU troppo alta Temperatura batteria alta	La temperatura del vano batteria e della batteria è troppo alta. Attendere che la batteria si raffreddi, quindi riavviare l'alimentazione.
MR12	Temperatura motore troppo alta	La temperatura del motore è troppo alta. Attendere che il motore si raffreddi, quindi riavviare l'alimentazione.
MR13	Temperatura regolatore troppo alta	La temperatura del regolatore è troppo alta. Attendere che il regolatore si raffreddi, quindi riavviare l'alimentazione.
MR14	Software in sovracorrente	Il carico è troppo alto. Riavviare l'alimentazione.
MR15	Hardware in sovracorrente	Il carico è troppo alto. Riavviare l'alimentazione.
MR16	Errore del regolatore di velocità	Verificare che il regolatore di velocità della maniglia sia collegato correttamente, quindi riavviare l'alimentazione.
MR17	Errore di pre-carica del regolatore	Riavviare l'alimentazione.
MR18	Errore freni	Riavviare l'alimentazione.
MR19	Errore di sequenza operativa	Posizionare le maniglie a sinistra e destra in posizione di stazionamento e l'interruttore di avviamento della lama in posizione OFF. Accomodarsi sul sedile e riprovare.
MR20	Errore del sensore angolo	Riavviare l'alimentazione.
MR21	Errore relè	Riavviare l'alimentazione.
MR22	Errore valvola magnetica	Verificare che l'elettrovalvola del motore sia collegata correttamente, quindi riavviare l'alimentazione.
MR23	Errore di comunicazione del vano batteria (PMU).	Errore di comunicazione con il vano batterie. Riavviare l'alimentazione.
MR24	Guasto vano batteria (PMU).	Errore minore/importante nel vano batteria. Eseguire un controllo e riavviare l'alimentatore.
MR25	Errore di timeout CAN - guida a sinistra	Errore di comunicazione con il regolatore dell'unità di sinistra. Riavviare l'alimentazione.

Codice errore	Descrizione	Soluzione
MR26	Errore di timeout CAN - guida a destra	Errore di comunicazione con il regolatore dell'unità di destra. Riavviare l'alimentazione.
MR27	Errore di timeout CAN - lama sinistra	Errore di comunicazione con il regolatore lama sinistra. Riavviare l'alimentazione.
MR28	Errore di timeout CAN - lama centrale	Errore di comunicazione con il regolatore lama centrale. Riavviare l'alimentazione.
MR29	Errore di timeout CAN - lama destra	Errore di comunicazione con il regolatore lama destra. Riavviare l'alimentazione.
MR30	Errore del coperchio ribaltabile del vano batteria	Verificare che il connettore sotto il sedile sia collegato correttamente, quindi riavviare l'alimentazione.
MR31	Impossibile verificare il segnale lama	Verificare che l'interruttore di avviamento della lama sia collegato correttamente, quindi riportare l'interruttore nella posizione iniziale.
MR32	Errore di autenticazione software	Riavviare l'alimentazione.
PMU10	Circuito aperto nel pacco batteria nella PMU	Batteria scollegata nel vano batteria; le prestazioni della macchina potrebbero risentirne.
PMU11	Errore minore PMU	Un piccolo errore nel vano batteria ha impedito l'avvio del sistema lame. Attendere il ripristino del sistema, quindi reimpostare l'interruttore di avvio lame.
PMU12	Errore critico PMU	Un grave errore nel vano batteria ha impedito l'avvio dei sistemi di azionamento e lama. Riavviare l'alimentatore e riprovare.
PMU13	Nessuna batteria disponibile nella PMU	Verificare di utilizzare la batteria corretta, quindi riavviare l'alimentazione.

7 MANUTENZIONE

7.1 MANUTENZIONE DELLE LAME

Controllare le lame quotidianamente, perché sono essenziali per garantire l'efficienza della macchina e un prato ben tenuto. Mantenerle affilate; una lama smussata strappa l'erba invece di tagliarla, causando la formazione di sfilacciature scure sull'erba qualche ora dopo l'operazione. Inoltre, una lama smussata richiede più potenza. Sostituire le lame se sono piegate, incurvate o danneggiate.

▲ AVVERTIMENTO

Non tentare di raddrizzare una lama piegata riscaldandola o di saldare una lama incurvata o danneggiata, perché la lama può rompersi e causare lesioni gravi. Sostituire le lame usurate o danneggiate.

▲ AVVERTIMENTO

Non intervenire sulle lame quando la chiave è inserita nell'interruttore di accensione. Girare la chiave in posizione "OFF", rimuovere le unità batteria dalla macchina. Bloccare la macchina in posizione rialzata se è necessario intervenire sulla parte inferiore. Indossare guanti di protezione durante la manipolazione delle lame. Verificare lo stato delle lame se la macchina urta una pietra, un ramo o un altro oggetto estraneo.

▲ PERICOLO

Dopo l'affilatura, verificare che le lame siano bilanciate. Dopo l'affilatura, verificare che le lame siano bilanciate. Uno strumento di bilanciamento commerciale è disponibile presso negozi di ferramenta; in alternativa, è possibile controllare il bilanciamento della lama posizionandola su un cono o un bullone da 12,7 mm (1/2"). La lama non deve essere inclinata. Ruotare lentamente la lama e verificare che non ondeggi. Se la lama non è bilanciata, allinearla prima di reinstallarla. Appoggiare la lama su una superficie piatta e verificare che non sia deformata. Se la lama è deformata, sostituirla.

▲ AVVERTIMENTO

- La parte curva della lama deve essere rivolta verso l'alto, verso l'interno del piatto per garantire un taglio corretto.
- Quando si montano le lame, ruotarle dopo l'installazione per garantire che le punte delle lame non si tocchino tra loro o sui lati del tosaerba.
- Il mancato serraggio corretto del bullone può comportare la perdita della lama, con conseguenti lesioni gravi.
- Le lame del tosaerba sono affilate e possono tagliare. Indossare guanti e prestare particolare attenzione durante gli interventi sulle lame.

7.1.1 SOSTITUZIONE DELLA LAMA

Fare riferimento alla figura 17

1. Arrestare il motore, rimuovere la chiave di avviamento e inserire il freno di stazionamento.
2. Alzare il piatto di taglio nella posizione più alta per consentire l'accesso alle lame.

i NOTA

Se necessario, sollevare il tosaerba posizionandolo su un sollevatore o utilizzando un martinetto e dei cavalletti, oppure rimuovere il piatto di taglio come descritto nella sezione precedente per accedere alle lame.

▲ AVVERTIMENTO

Se si solleva il tosaerba per accedere alle lame, assicurarsi che il tosaerba sia fissato correttamente e che il freno di stazionamento sia inserito prima di procedere. Il mancato corretto fissaggio del tosaerba potrebbe provocarne la caduta, con conseguenti lesioni gravi o mortali.

3. Incastrate un blocco di legno tra la lama e il piatto di taglio per evitare che la lama ruoti.
4. Allentare il dado della lama ruotandolo in senso antiorario (guardando dal fondo del tosaerba) utilizzando una chiave a bussola da 16 mm (non fornita).
5. Rimuovere il dado della lama, il distanziatore, il carter della lama e la lama.
6. Infilare il dado della lama sull'albero e serrare a mano.
7. Serrare il dado della lama in senso orario utilizzando una chiave dinamometrica (non fornita) per assicurarsi che il bullone sia serrato correttamente. La coppia consigliata per il dado della lama è 90 N.m~100N.m (66~74 ft.lbs).

▲ AVVERTIMENTO

Assicurarsi che la lama sia posizionata correttamente e che il dado della lama sia serrato secondo le specifiche di coppia di cui sopra. Il mancato fissaggio corretto della lama potrebbe causarne l'allentamento e provocare gravi lesioni all'operatore.

8. Ripetere l'operazione per la seconda lama, se necessario.

i NOTA

Assicurarsi che tutte le parti vengano sostituite nell'ordine esatto in cui sono state rimosse.

7.2 PNEUMATICI

Per un taglio a livello è importante che tutti gli pneumatici siano gonfiati alla pressione corretta. Le pressioni raccomandate sono elencate nella tabella seguente:

i NOTA

La pressione degli pneumatici deve essere misurata o regolata quando gli pneumatici sono freddi.

Ruote motrici	8 psi
Ruote anteriori	37 psi

i NOTA

Ispezionare gli pneumatici quotidianamente. Sostituirli immediatamente se sono danneggiati.

▲ AVVERTIMENTO

Controllare attentamente la pressione degli pneumatici durante il gonfiaggio. Una quantità eccessiva di aria negli pneumatici può causarne lo scoppio, con il rischio di lesioni.

7.3 LUBRIFICAZIONE

Fare riferimento alla figura 19

Aggiungere olio prima dell'operazione.

Tipo di olio	SAE85W-140
Proprietà dell'olio	180 ml

Contattare il proprio rivenditore Cramer per la sostituzione del lubrificante.

i NOTA

Sostituire l'olio del cambio dopo aver utilizzato la macchina per 50 ore per la prima volta, quindi procedere con la sostituzione ogni 200 ore.

7.4 VALORI DI COPPIA

▲ AVVERTIMENTO

Prestare particolare attenzione durante il serraggio dei dadi ruota e dei bulloni delle lame. Il serraggio a una coppia scorretta può causare il distacco di una ruota o una lama, con il rischio di danni o lesioni.

Di seguito sono riportati i valori di coppia:

Parte	Ft-lbs.	Nm
Dadi ruota	89	120
Bulloni delle lame	66	90

Solo dadi ad alette-Si consiglia di controllarli dopo le prime 2 ore di funzionamento, inizialmente ogni 100 ore e successivamente alla rimozione per riparazione o sostituzione.

7.5 MANUTENZIONE DEL GRUPPO BATTERIA

Il tuo Cramer tosaerba è alimentato da batteria che, se sottoposta a corretta manutenzione, garantisce diversi anni di vita utile. Per una cura adeguata, attenersi alle seguenti istruzioni:

- Caricare sempre le batterie dopo ogni utilizzo.
- Ogni volta che una batteria è completamente scarica e spenta, si raccomanda di procedere alla ricarica il prima possibile. Se la batteria si scarica spesso significa che la sua durata sarà ridotta e potrebbe subire danni permanenti. Non è necessario ricaricarlo completamente; è sufficiente lasciarlo sotto carica per 5-10 minuti. Si raccomanda di ricaricarla entro 24 ore.
- Evitare che erba, sporcizia e detriti si raccolgano vicino ai terminali della batteria e nel suo alloggiamento.
- Caricare le batterie al chiuso in un luogo ben ventilato e asciutto, lontano da scintille o fiamme. Non esporre mai il caricabatterie a pioggia, vapore o liquidi.
- Caricare solo batterie al litio fornite da Cramer.
- Non toccare parti esposte del caricabatterie (morsetti) o del connettore di uscita.
- Non utilizzare con cavi e fili difettosi. Sostituire immediatamente cavi e fili difettosi.
- Per la conservazione a lungo termine, assicurarsi che la temperatura di conservazione sia compresa tra -20°C e 45°C entro un mese e tra 0°C e 35°C tra due e dodici mesi.
- L'ambiente di lavoro per la batteria è -20°C -55°C per lo scarico e 0°C-55°C per la carica.

7.6 MANUTENZIONE FILTRO VANO BATTERIA

Sostituire il filtro del vano batteria ogni 200 ore.

7.7 RIPARAZIONI

i IMPORTANTE

Attendere che tutte le parti in movimento si arrestino prima di regolare, pulire o riparare la macchina. Tutte le operazioni di riparazione o manutenzione che richiedono energia elettrica devono essere effettuate esclusivamente da personale qualificato. Leggere e rispettare le avvertenze di sicurezza riportate nel manuale.

IT

i IMPORTANTE

Tutte le operazioni di riparazione o manutenzione che richiedono energia elettrica devono essere effettuate esclusivamente da personale qualificato.

- Parcheggiare la macchina su un terreno a livello. Accertarsi che le leve di comando dello sterzo siano a folle e che l'interruttore PTO sia in posizione "OFF". Sollevare il piatto, ruotare la chiave in posizione "OFF", rimuovere la chiave dall'interruttore e rimuovere le batterie dal vano batteria sotto il sedile.
- Qualsiasi operazione di manutenzione che richieda la rimozione dei carter di sicurezza deve essere eseguita da un tecnico dell'assistenza qualificato.
- Usare un'asta o uno strumento simile per pulire la parte inferiore della macchina, evitando così di posizionare il proprio corpo, in particolare braccia e mani, sotto la macchina.
- Tenere la macchina pulita e rimuovere eventuali depositi di rifiuti e sfalci.
- Tenere il vano batteria, il piatto e la postazione dell'operatore puliti da rifiuti accumulati, erba tagliata e altri detriti.
- Pulire il vano batteria, il vano motore, il piatto di taglio, il sedile ecc. e rimuovere sporcizia e detriti. Per la pulizia, utilizzare esclusivamente aria compressa. NON USARE acqua, solventi, detergenti aggressivi o sostanze abrasive.
- Indossare adeguate protezioni per gli occhi durante gli interventi sulle batterie, l'affilatura delle lame e la rimozione dei detriti. Non tentare di regolare o riparare il motore di trazione, il piatto di taglio o altri accessori quando il motore è in funzione. Tutte le operazioni di riparazione o manutenzione che richiedono energia elettrica devono essere effettuate esclusivamente da personale qualificato.
- Non lavorare mai sotto la macchina o un accessorio che non sono stati messi in sicurezza da cavalletti. Accertarsi che la macchina sia sicura quando viene sollevata e posizionata sui cavalletti.
- I cavalletti non devono consentire alla macchina di muoversi quando il sistema di trazione è in funzione e le ruote motrici sono in rotazione. Utilizzare esclusivamente cavalletti per automobile omologati. Per bloccare la macchina in posizione sollevata, utilizzare esclusivamente cavalletti per automobile appropriati con capacità di carico pari o superiore a 907,2 kg (2000 libbre). Utilizzarli sempre in coppia. Seguire le istruzioni fornite insieme ai cavalletti per veicoli.
- Non toccare le parti calde della macchina.
- Mantenere dadi e bulloni ben serrati, in particolare i bulloni di fissaggio delle lame. Mantenere la macchina in buone condizioni di funzionamento.
- Non manomettere mai i dispositivi di sicurezza. Controllare con regolarità che funzionino correttamente.
- Girare la chiave in posizione "OFF" prima di sbloccare lo scivolo di scarico.
- Non pulire lo scivolo di scarico quando la macchina è in funzione. Ruotare la chiave in posizione "OFF" e assicurarsi che le lame si siano fermate prima della pulizia. Usare un'asta per rimuovere le ostruzioni dall'area di scarico. Non usare mai le mani!
- Arrestare la macchina e attendere che le lame si fermino prima di rimuovere un'ostruzione dallo scivolo di scarico. I componenti del sistema di raccolta dell'erba sono soggetti a usura, danni e deterioramento; ciò può comportare l'esposizione delle parti mobili o il lancio di oggetti. Controllare frequentemente i componenti e sostituirli con parti consigliate dal produttore, se necessario.
- Prestare attenzione quando si lavora sotto il piatto poiché le lame del tosaerba sono estremamente affilate. Indossare guanti e prestare particolare attenzione durante gli interventi sulle lame.
- Utilizzare solo ricambi originali Cramer per il tosaerba al fine di garantire il mantenimento degli standard originali.
- Scollegare sempre le batterie prima di trasportare la macchina. Mantenere la macchina priva di residui di erba, foglie e altri detriti.
- Controllare spesso il funzionamento del freno. Regolare e riparare come richiesto dal caso.
- Tenere in buono stato o sostituire le etichette e le istruzioni di sicurezza, se necessario.
- Far riparare il tosaerba con operatore a bordo da un riparatore qualificato utilizzando solo pezzi di ricambio identici. Ciò garantirà il mantenimento della sicurezza del tosaerba con operatore a bordo.

- Ricaricare la batteria esclusivamente con il caricabatteria specificato dal costruttore. Un caricabatteria adatto a un certo tipo di gruppo batteria comporta il rischio di incendio se utilizzato con gruppi batteria di tipo diverso.

8 TRASPORTO E CONSERVAZIONE

8.1 TRASPORTO

▲ AVVERTIMENTO

Prestare particolare attenzione quando si carica o scarica la macchina su un rimorchio. Premere il pulsante di guida a bassa velocità e spostare con cautela le leve di guida secondo necessità al fine di controllare la velocità. Fare sempre retromarcia sul rimorchio durante il caricamento. Quando si carica o si scarica il tosaerba, non superare l'angolo massimo consigliato di 15°. La mancata osservanza di queste istruzioni può causare la perdita di controllo e provocare il decesso, gravi lesioni o danni materiali.

▲ AVVERTIMENTO

Prestare attenzione quando si carica o scarica il tosaerba su un rimorchio. Assicurarsi che il piatto di taglio sia sollevato nella posizione più alta in modo che non rimanga impigliato nella rampa. Le ruote del tosaerba possono staccarsi dalla rampa o dal rimorchio, facendo ruotare o ribaltare il tosaerba e causare un pericolo di schiacciamento che può causare morte o gravi lesioni.

1. Parcheggiare il tosaerba su una superficie piana.
2. Sollevare il piatto di taglio nella posizione più alta.
3. Posizionare e fissare la rampa al rimorchio secondo le istruzioni del produttore.

i NOTA

Si consiglia di utilizzare una rampa di carico a tutta larghezza che sia almeno 30 centimetri più larga del tosaerba al fine di ridurre al minimo il rischio che le ruote del tosaerba escano dal lato della rampa.

4. Riportare lentamente il tosaerba sulla rampa e nel rimorchio.
5. Abbassare completamente il piatto di taglio.
6. Inserire il freno di stazionamento.
7. Spegnerne il tosaerba e rimuovere la chiave.
8. Fissare il tosaerba secondo necessità utilizzando cinghie o cavi per impedirne il movimento durante il trasporto.

▲ AVVERTIMENTO

Al fine di evitare avviamenti o movimenti accidentali che potrebbero causare gravi lesioni, rimuovere sempre la chiave di avviamento e inserire il freno di stazionamento durante il trasporto del tosaerba.

8.2 PULIZIA E STOCCAGGIO

8.2.1 PULIZIA DELLA MACCHINA

- Rimuovere eventuali accumuli di erba e foglie sopra o intorno al coprimotore (non utilizzare acqua da un ugello ad alta pressione per lavare il motore).
- Di tanto in tanto pulire il tosaerba con un panno asciutto.
- Se i detriti si accumulano sul lato inferiore del tosaerba durante l'uso, arrestare il motore, spegnere la macchina e pulirla con un raschietto utilizzando uno strumento appropriato.

8.2.2 PULIRE IL PIATTO DI TAGLIO

Fare riferimento alla figura 18

- Inserire il freno di stazionamento nelle zone di parcheggio.
- Regolare l'altezza del piatto di taglio al minimo.
- Collegare l'attacco rapido dell'imbocco lavaggio in dotazione al tubo da giardino.
- Collegare il tubo da giardino con l'attacco rapido all'imbocco lavaggio sul piatto di taglio. L'imbocco lavaggio si trova sul lato sinistro del piatto di taglio.

- Aprire l'acqua.
- Tirare l'interruttore della presa di forza per avviare le lame di taglio del tosaerba e regolare la velocità della lama al massimo.
- Sciacquare sotto il piatto per circa un minuto.
- Sganciare le lame del tosaerba spingendo l'interruttore PTO verso il basso.
- Chiudere l'acqua e rimuovere il tubo da giardino e l'attacco rapido dall'imbocco lavaggio.
- Rimuovere l'attacco rapido dal tubo da giardino e conservarlo per un uso futuro.
- Spegnerne completamente il tosaerba.

8.2.3 STOCCARE IL TOSAERBA

Per preparare la macchina allo stoccaggio è necessario eseguire le seguenti operazioni.

- Pulire la macchina come descritto nella sezione precedente.
- Ispezionare la lama e sostituirla o affilarla, se necessario (fare riferimento alla sezione Manutenzione).
- Non riporre la macchina vicino a materiali corrosivi, come fertilizzanti o salgemma.
- Tenere la macchina fuori dalla portata dei bambini.
- Non coprire la macchina con un telo di plastica resistente. I rivestimenti in plastica trattengono l'umidità attorno alla macchina, causando ruggine e corrosione.
- Controllare accuratamente eventuali parti usurate o danneggiate che devono essere sostituite e ordinarle al proprio rivenditore.
- Contattare il centro assistenza per lubrificare a fondo la macchina.
- Caricare e riparare completamente le batterie.
- Non sgonfiare gli pneumatici.
- La macchina deve essere conservata in un luogo ben ventilato, pulito e asciutto poiché il caricabatteria non può essere utilizzato in un ambiente umido.
 - Mantenere sempre le batterie completamente cariche. È particolarmente importante evitare danni alla batteria quando la temperatura è inferiore a 0°C (32°F).
 - Collegare l'adattatore del caricabatterie alla porta di ricarica e le batterie secondo la sezione Adattatore di ricarica, nella sezione Impianto elettrico.
 - Collegare il caricabatterie ad una presa elettrica adeguata. Per maggiori dettagli sull'uso del caricabatterie e sulla ricarica delle batterie, fare riferimento alle sezioni Caricabatteria, Ricarica della batteria e Raccomandazioni per la ricarica della sezione Impianto elettrico.
 - Per massimizzare la durata della batteria, è meglio caricare completamente le batterie poco dopo ogni utilizzo.

8.2.4 PREPARARE PER L'USO DOPO LO STOCCAGGIO

Prima di utilizzare il tosaerba dopo che è stato riposto, è necessario eseguire le seguenti operazioni:

- Caricare completamente le batterie.
- Controllare la pressione degli pneumatici e gonfiare se necessario.
- Guidare brevemente il tosaerba e controllare tutti i sistemi e i componenti per assicurarsi che funzionino correttamente.

9 RISOLUZIONE DEI PROBLEMI

PROBLEMA	POSSIBILE CAUSA	SOLUZIONE
Il veicolo non si muove.	Il vano batteria non è inserito nella batteria o non è designato Cramer come batteria.	Per garantire il normale funzionamento del veicolo, è necessario inserire almeno 1 pezzo tra i prodotti designati per la batteria Cramer nel vano batteria.
	La batteria non è carica.	Controllare la carica della batteria.
	Le leve di comando dello sterzo sono in posizione freno di stazionamento.	Assicurarsi che le leve di comando sinistra e destra non siano nella posizione del freno di stazionamento.
	Nessuno è seduto sul sedile o l'interruttore di presenza operatore non è chiuso.	Assicurarsi che il conducente sia seduto sul sedile.
	Gli interruttori di parcheggio sinistro e destro non sono nella posizione iniziale quando l'alimentazione è accesa.	Mettere le leve di comando dello sterzo in posizione freno di stazionamento e riavviare la macchina; se non si riesce ad avviarla contattare il personale Cramer post-vendita di competenza.
	Il vano batteria è inattivo.	Portare l'interruttore a chiave in posizione OFF e attendere più di 5 secondi prima di riavviare la macchina.
Guasto improvviso durante la guida	La batteria non è carica.	Per garantire il normale funzionamento dell'intero veicolo, è necessario posizionare almeno 1 pezzo di prodotti Cramer designati come batteria nel vano batteria e assicurarsi che la batteria sia alimentata.
	Strade dissestate, con conseguente disconnessione dell'interruttore di presenza operatore.	Mettere le leve di comando dello sterzo nella posizione del freno di stazionamento e riavviare la macchina.
	L'acceleratore sinistro/destro è guasto.	Contattare il personale Cramer addetto al servizio post vendita.
	Il regolatore guida non funziona.	Contattare il personale Cramer addetto al servizio post vendita.
La lama non funziona dopo aver tirato l'interruttore PTO.	Il vano batteria non è inserito nella batteria specificata da Cramer.	Per garantire il normale funzionamento dell'intero veicolo, è necessario posizionare almeno 1 pezzo di prodotti Cramer designati come batteria nel vano batteria e assicurarsi che la batteria sia alimentata.
	La carica della batteria è inferiore al 5%.	Controllare la carica della batteria, se la carica della batteria è bassa, caricare la batteria.
	L'interruttore presenza operatore non è chiuso.	Assicurarsi che il conducente sia seduto sul sedile.
	L'interruttore della lama (PTO) non è nella posizione iniziale prima dell'accensione.	Premere il PTO e tirarlo di nuovo verso l'alto.
	Blocco motore lama o altra protezione funzionale.	Al fine di garantire una rotazione regolare della lama, controllare che non ci siano erbacce e altri oggetti estranei nel collegamento tra la lama e il motore. Si consiglia di sollevare il piatto e avviare la lama prima di regolare il piatto sulla marcia richiesta.
	Il regolatore del motore non funziona correttamente.	Controllare il codice di errore che appare sul display.
La lama si ferma durante il taglio dell'erba.	Il regolatore della lama non funziona correttamente.	Controllare il codice di errore che appare sul display.

PROBLEMA	POSSIBILE CAUSA	SOLUZIONE
	Sovraccarico motore lama.	Pulire l'interno della scocca, assicurarsi che non vi siano rotazioni anomale della lama, premere l'interruttore PTO, riavviare la macchina e ridurre il carico della lama, alzando l'altezza del piatto di taglio o riducendo la velocità di avanzamento.
	La temperatura della batteria è troppo alta.	Non utilizzarlo immediatamente dopo il completamento della ricarica, altrimenti potrebbe attivare l'errore di protezione della temperatura della batteria.
	La carica della batteria è inferiore al 5%.	La carica della batteria è bassa, caricare la batteria.
	La lama viene colpita da un oggetto estraneo, provocandone un arresto improvviso.	Ruotare la chiave di avviamento in posizione OFF e attendere più di 5 secondi prima di riavviare la macchina.
	Il regolatore del motore non funziona correttamente.	Controllare il codice di errore che appare sul display.
Il tosaerba taglia l'erba in modo irregolare e la differenza di altezza è notevole.	La lama è smussata.	Lucidare la lama come indicato nel manuale.
	La lama è piegata.	Sostituire la lama piegata, sostituire la lama secondo le istruzioni e indossare indumenti protettivi.
	Il piatto di taglio non è piatto.	Appiattire il piatto di taglio secondo le istruzioni per garantire che le altezze sinistra e destra siano uguali.
L'altezza di taglio effettiva non corrisponde all'altezza di taglio selezionata.	Allentare i bulloni di fissaggio del piatto.	Regolare i bulloni di fissaggio del piatto per assicurarsi che lo stesso sia installato saldamente. Nota: il piatto deve essere messo nuovamente a livello dopo aver regolato i bulloni di montaggio.
	Il piatto è usurato o è stato seriamente danneggiato.	Sostituire il piatto.
Operazione anomala veicolo	Il prato è troppo bagnato.	Prima di avviare le operazioni, controllare le condizioni dell'erba. Se l'erba è troppo bagnata, attendere che si asciughi al vento o al sole, attendere che la rugiada del prato si dissolva prima di procedere.
	Il tosaerba è impostato per tagliare troppa erba in una sola volta.	Se l'erba è troppo fitta e alta, sollevare il piatto ed evitare il più possibile di tagliare l'erba fitta.
Eccessiva vibrazione della macchina	Le lame si sono allentate.	Lucidare la lama secondo il metodo descritto nel manuale.
	Le lame sono piegate.	Sostituire la lama piegata, prestando attenzione alla corretta sostituzione della lama secondo le istruzioni e indossando guanti protettivi.
	Piatto irregolare.	Appiattire il piatto di taglio secondo le istruzioni per garantire che le altezze sinistra e destra siano uguali.
	Allentare il piatto.	Bloccare i bulloni fissi del piatto.
	Il tosaerba è impostato per tagliare troppa erba in una sola volta.	Se l'erba è troppo fitta e alta, sollevare il piatto, cercando di evitare di tagliare l'erba fitta.
Foglie o detriti lasciati sul terreno dopo la falciatura.	Il tosaerba è impostato per tagliare troppa erba in una sola volta.	Se l'erba è troppo densa e alta, sollevare il piatto, se l'erba è più alta di 15 cm, utilizzare due cicli di taglio per ottenere il risultato desiderato, cercando di evitare di tagliare l'erba fitta.
	L'erba è troppo bagnata.	Si raccomanda di controllare le condizioni dell'erba prima della falciatura; se l'erba è troppo bagnata, attendere

PROBLEMA	POSSIBILE CAUSA	SOLUZIONE
		che si asciughi al vento o al sole, e attendere che la rugiada del prato si dissolva prima di falciare.
	La velocità di guida è troppo elevata.	Diminuire la velocità di guida.
	La velocità di taglio della lama è troppo bassa.	Aumentare il livello di velocità della lama.
Breve durata del taglio	La falciatura di erba fitta può causare una breve durata della falciatura.	Il sollevamento del piatto o la diminuzione di velocità della lama possono aumentare il tempo di utilizzo del tosaerba con una sola carica.
Il tosaerba tende a "scappare"	Diversa pressione degli pneumatici	Controllare regolarmente la pressione degli pneumatici posteriori del tosaerba come indicato nel manuale.
Il veicolo non si avvia dopo il lavaggio.	Pulizia impropria, come acqua nello schermo LED, nel vano batteria e in altri componenti elettronici.	<ol style="list-style-type: none"> 1. Si prega di seguire le istruzioni per la pulizia della macchina. 2. Se il veicolo viene accidentalmente inzuppato, metterlo in un luogo asciutto per 12 ore o asciugarlo prima dell'uso. 3. Contattare il personale Cramer del servizio post-vendita.
Il tosaerba è bloccato.	Erbacce e rifiuti ammucchiati sul piatto.	Si prega di seguire le istruzioni per la pulizia della macchina ogni volta che si utilizza la stessa.
In posizione di stazionamento, la macchina scivola rapidamente sul pendio e sbanda.	Grave usura degli pneumatici.	Contattare il personale post-vendita per la sostituzione degli pneumatici.
	Il freno elettromagnetico è danneggiato o molto usurato.	Contattare il personale post-vendita per la sostituzione del freno elettromagnetico.
	Il freno elettromagnetico si sblocca manualmente.	Controllare il freno elettromagnetico e riportarlo nella posizione iniziale.

10 SPECIFICHE TECNICHE

Modello	82ZT107
Tensione	82 V
Peso lordo del veicolo	106±3 kg
Lunghezza	170 cm
Altezza	117 cm
Larghezza (con scarico)	135 cm
Larghezza (senza scarico)	107 cm
Larghezza piatto	107 cm
Velocità di avanzamento	0-7.5 mph
Velocità in retromarcia	0-3 mph
Gamma di altezza taglio	3.81-11.4 cm
Livelli di regolazione dell'altezza di taglio	7 pezzi
Velocità a vuoto	2400/3000/3200 RPM
Tempo di ricarica	4 h (con caricatore ad8 ampere)
Potenza motore	1.2 kW (motore lame) 1.2 (Motore di azionamento)
MAX gestione pendenze	15°
Numero di lame (scarico/pacciamme)	2 pezzi
Livello di pressione sonora misurato	$L_{pA} = 85.63 \text{ dB(A)}$, $K_{pA} = 3 \text{ dB(A)}$
Livello di potenza sonora misurato	$L_{wA} = 98.61 \text{ dB(A)}$
Livello di potenza sonora garantito	$L_{wA,d} = 100 \text{ dB(A)}$
Vibrazioni	Bracci: $\leq 2.5 \text{ m/s}^2$, $K = 1.5 \text{ m/s}^2$ Struttura principale: $\leq 2.5 \text{ m/s}^2$, $K = 1.5 \text{ m/s}^2$

11 GARANZIA LIMITATA

11.1 CHE COSA È COPERTO DA QUESTA GARANZIA

Cramer fornisce la seguente garanzia solo all'acquirente originale ("Proprietario") - la garanzia non è trasferibile:

A. Uso residenziale: I prodotti Cramer usati per normali scopi privati* sono garantiti per cinque (5) anni o 1500 ore di utilizzo totale (la condizione che si verifica per prima tra le due) dalla data di acquisto contro ogni difetto di materiale o fabbricazione del telaio, del piatto di taglio e delle batterie. I prodotti di consumo come gli pneumatici e le batterie sono garantiti per trenta (30) giorni dalla data di acquisto. Se il Proprietario rileva un difetto di materiale o fabbricazione entro il periodo di validità della garanzia:

- Il proprietario deve informare tempestivamente Cramer o un rivenditore autorizzato per iscritto, telefonicamente, di persona o tramite e-mail o app. Tale comunicazione deve essere ricevuta da Cramer o dal rivenditore autorizzato entro cinque (5) anni dalla data d'acquisto.
- Entro un lasso di tempo ragionevole dalla comunicazione e dalla verifica del difetto, Cramer correggerà il difetto di materiale o di fabbricazione del prodotto Cramer, riparando o sostituendo i componenti, a sua discrezione, con parti di ricambio nuove o usate.
- Tali riparazioni, materiale e manodopera inclusi, sono a carico di Cramer e sono fornite esclusivamente al Proprietario originale.

B. Uso commerciale: I prodotti Cramer usati per scopi commerciali e istituzionali sono garantiti per cinque (5) anni o 1500 ore di utilizzo totale (la condizione che si verifica per prima tra le due) dalla data di acquisto contro ogni difetto di materiale o fabbricazione del telaio, del piatto di taglio e delle batterie. I prodotti di consumo (compresi, a titolo esemplificativo e non esaustivo, pneumatici e batterie) sono garantiti per trenta (30) giorni dalla data di acquisto. Se il Proprietario rileva un difetto di materiale o fabbricazione entro il periodo di validità della garanzia:

- Il proprietario deve informare tempestivamente Cramer o un rivenditore autorizzato per iscritto, telefonicamente, di persona o tramite e-mail o app. Tale comunicazione deve essere ricevuta da Cramer o dal rivenditore autorizzato entro cinque (5) anni dalla data d'acquisto.
- Entro un lasso di tempo ragionevole dalla comunicazione e dalla verifica del difetto, Cramer correggerà il difetto di materiale o di fabbricazione del prodotto Cramer, riparando o sostituendo il/i componente/i, a sua discrezione, con parti di ricambio nuove o usate.
- Tali riparazioni, materiale e manodopera inclusi, sono a carico di Cramer e sono fornite esclusivamente al Proprietario originale (di natura commerciale).

i NOTA

Se le batterie non vengono sottoposte a una corretta manutenzione e non vengono ricaricate completamente, la loro durata di servizio sarà ridotta e la garanzia della batteria sarà annullata. Le clausole della presente garanzia limitata non si applicano a danni dovuti a:

- Abuso o negligenza, ad esempio danni causati dall'acqua, collegamenti allentati o dispositivi di fissaggio arrugginiti o corrosi.
- Mancanza di manutenzione; danni dovuti all'installazione scorretta della batteria; negligenza, rottura, esposizione a temperature estreme come, a titolo esemplificativo e non esaustivo, temperature sottozero, temperature elevate, prossimità di fonti di calore tra cui radiatori o fiamme, esposizione all'acqua o ad altre sostanze, utilizzo della batteria quando è sovraccarica o scarica.
- Batterie ricaricate con dispositivi diversi dal caricabatteria originale.

Nota a piè: **" Nel presente documento, per "normali scopi privati" si intende l'uso del Prodotto sulla propria proprietà dell'acquirente. L'uso in più luoghi è considerato uso commerciale, per il quale si applica la garanzia per l'uso commerciale.*

11.2 A CHI AFFIDARE GLI INTERVENTI IN GARANZIA

Tutti gli interventi in garanzia devono essere effettuati da un rivenditore Cramer autorizzato o un tecnico Cramer autorizzato. I costi relativi alle chiamate al centro di assistenza e/o al trasporto del prodotto da e verso il rivenditore autorizzato per gli interventi in garanzia sono a carico del proprietario del prodotto. Per richiedere un intervento in garanzia, rivolgersi a un rivenditore autorizzato.

11.3 CHE COSA NON È COPERTO DA QUESTA GARANZIA

Cramer non applica la garanzie nelle seguenti circostanze:

- Riparazioni effettuate da persone non autorizzate.
- Danni causati dall'uso del prodotto Cramer per scopi diversi da quelli per cui è progettato.
- Danni causati da disastri naturali come incendi, inondazioni, vento e fulmini.
- Danni causati da negligenza, abuso, uso anomalo, improprio o irragionevole, incidenti o danni causati dall'acqua.
- Danni causati dall'uso di parti, accessori o componenti non autorizzati.
- Riparazioni o sostituzioni come risultato di eventuali alterazioni o modifiche, a sola discrezione di Cramer, che influisca negativamente sul funzionamento, sulle prestazioni o sulla durata dell'apparecchiatura.
- Prodotti, componenti o parti non fabbricati da Cramer.
- Prodotti con dati di identificazione alterati come, a titolo esemplificativo e non esaustivo, numeri di serie rimossi e/o resi illeggibili.
- Deprezzamento o danni causati da normale usura, mancanza di manutenzione ragionevole e adeguata, mancata osservanza del manuale del proprietario del prodotto, delle istruzioni di funzionamento, manutenzione e regolazione o di altre istruzioni operative fornite da Cramer.
- Parti per la normale manutenzione e assistenza, ad includere, a titolo informativo ma non esaustivo, lubrificanti, parti di messa a punto, lame, affilatura delle lame, cuscinetti, regolazioni dei freni o dello sterzo.
- Prodotti con programmazione non approvata per quel prodotto, comprese modifiche a parametri, programmazioni o regolazioni postvendita o qualsiasi modifica non approvata a componenti, elettronica o software.

11.4 ESCLUSIONE DI GARANZIA

La presente garanzia sostituisce qualsiasi altra garanzia, esplicita o implicita, tra cui garanzie implicite di commerciabilità e idoneità per finalità particolari. Tuttavia, se il Prodotto Cramer è stato acquistato come prodotto di consumo, eventuali garanzie implicite di commerciabilità e idoneità per finalità particolari sono limitate alla durata della presente garanzia limitata. Poiché alcuni Paesi non consentono limitazioni alla durata di una garanzia implicita, le limitazioni sopra riportate potrebbero non essere applicabili. La presente garanzia conferisce diritti legali specifici al consumatore, che potrebbe godere anche di altri diritti a seconda del Paese.

IT

11.5 LIMITAZIONE DEI RIMEDI

In nessun caso Cramer può essere ritenuta responsabile per eventuali danni speciali, incidentali o consequenziali in caso di violazione della garanzia, violazione del contratto, negligenza, responsabilità oggettiva o qualsiasi altra teoria giuridica. Tra tali danni si annoverano, a titolo informativo ma non esaustivo:

- Perdita di profitto
- Perdita di risparmi o entrate
- Perdita dell'utilizzo del Prodotto Cramer o di qualsiasi apparecchiatura associata
- Costo del capitale
- Costo di qualsiasi attrezzatura, struttura, servizio o tempo di inattività sostitutivi
- Le pretese di terzi, compresi i clienti, e danni alla proprietà

11.6 PERIODO DI VALIDITÀ

Salvo diversamente stabilito dalle leggi nazionali:

Qualsiasi azione relativa alla violazione della garanzia deve essere inoltrata da cinque (5) anni o sessanta (60) mesi dalla data di acquisto in caso di uso residenziale e/o commerciale.

Se la data di fabbricazione precede di un lasso di tempo ragionevole l'acquisto da parte del consumatore originale, la garanzia Cramer potrebbe essere soggetta ad ulteriori limitazioni.

11.7 ALTRE GARANZIE

Il presente accordo è inteso come accordo completo ed esclusivo tra le parti, e sostituisce eventuali accordi precedenti, orali o scritti, e qualsiasi altra comunicazione tra le parti relativamente all'oggetto di questo accordo.

11.8 RESPONSABILITÀ DEL PROPRIETARIO

È necessario mantenere il Prodotto Cramer seguendo le procedure di manutenzione descritte nel manuale dell'utente. I costi di tali operazioni di manutenzione periodica, effettuate dal rivenditore o dal consumatore, sono a carico del Proprietario.

Questa macchina, come qualsiasi altro apparecchio alimentato elettricamente, è potenzialmente pericoloso se non viene utilizzato correttamente. Tutti gli operatori devono usare il prodotto con attenzione nel rispetto delle norme di sicurezza. Prima di far uso del Prodotto Cramer tutti gli operatori devono familiarizzarsi con le istruzioni per l'uso e la sicurezza della macchina riportate nel manuale, e con le avvertenze di sicurezza riportate sulla macchina stessa.

11.9 ALLOCAZIONE DEI RISCHI

Il presente accordo ripartisce i rischi di malfunzionamento del prodotto tra Cramer e il Proprietario. Tale allocazione è riconosciuta da entrambi le parti e si riflette nel prezzo dei beni.

11.10 REGISTRAZIONE DELLA GARANZIA

Salvo diversamente stabilito dalle leggi nazionali:

1. I proprietari devono registrare la macchina presso Cramer entro dieci (10) giorni dalla data di acquisto.
2. La registrazione può essere completata compilando il modulo di registrazione della garanzia fornito nel manuale dell'operatore.
3. La registrazione può essere completata anche utilizzando i moduli online sucramertools.com o utilizzando l'app e fornendo la prova di acquisto (scontrino con data di acquisto).

12 DICHIARAZIONE DI CONFORMITÀ CE

Nome e indirizzo del fabbricante:

Nome: Greenworks Tools Europe GmbH
Indirizzo: Brunnenweg 17, 64331 Weiterstadt, Germania

Nome e indirizzo della persona autorizzata a compilare il fascicolo tecnico:

Nome: Ralf Pankalla
Indirizzo: Brunnenweg 17, 64331 Weiterstadt, Germania

Con la presente si dichiara che il prodotto

Categoria: Trattorino tagliaerba a raggio zero
Modello: 82ZT107
Numero di serie: Vedere l'etichetta nominale del prodotto
Anno di fabbricazione: Vedere l'etichetta nominale del prodotto

- è conforme ai requisiti pertinenti della direttiva Macchine 2006/42/CE.
- è conforme ai requisiti delle seguenti direttive europee:
 - 2014/30/UE
 - 2011/65/UE & (UE)2015/863

Inoltre, si dichiara di aver utilizzato i seguenti (parti/clausole degli) standard armonizzati europei:

- EN 62841-1, EN ISO 5395-1, EN ISO 5395-3, EN ISO 14982, IEC 62321-3-1, IEC 62321-4, IEC 62321-5, IEC 62321-6, IEC 62321-7-1, IEC 62321-7-2, IEC 62321-8

Luogo, data: 11.11.2022

Firma: Ted Qu, Direttore Qualità



1	Description.....	127		7.3	146
1.1	Aperçu.....	127	7.4	Valeurs de couple.....	146
1.2	Panneau de commande.....	127	7.5	Maintenance de pack-batterie.....	147
2	Déballage de la machine.....	128	7.6	Maintenance de filtre de compartiment de batterie.....	147
3	Installation.....	128	7.7	Entretien.....	147
3.1	Installation du siège.....	128	8	Transport et stockage.....	148
3.2	Installation du cache de mulching.....	128	8.1	Transport.....	148
3.3	Installation de leviers de commande de direction.....	128	8.2	Nettoyage et stockage.....	149
3.4	Molette de dérivation neutre.....	129	9	Dépannage.....	151
3.5	Roues anti-scalping.....	129	10	Données techniques.....	154
4	Instructions d'utilisation.....	129	11	Garantie limitée.....	154
4.1	Avant le travail.....	129	11.1	Couverture de cette garantie.....	154
4.2	Utilisation de la machine.....	131	11.2	Exécution de l'entretien sous garantie....	155
5	Système électrique.....	136	11.3	Exclusions de cette garantie.....	155
5.1	Sécurité du système électrique.....	136	11.4	Exonération de garantie.....	156
5.2	Informations du système électrique.....	137	11.5	Limitation des recours.....	156
5.3	Affichage numérique.....	137	11.6	Limite temporelle.....	156
6	Erreurs.....	137	11.7	Aucune autre garantie.....	156
6.1	Code d'erreur.....	139	11.8	Responsabilité du propriétaire.....	156
7	Maintenance.....	144	11.9	Assignment des risques.....	156
7.1	Maintenance de lame de tondeuse.....	144	11.10	Enregistrement de la garantie.....	156
7.2	Pneus.....	146	12	Déclaration de conformité CE	157

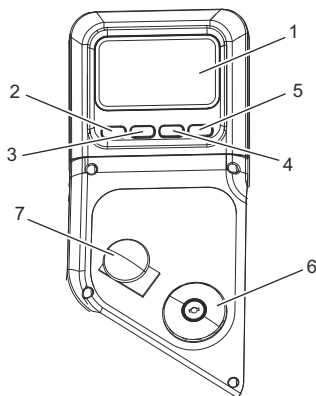
1 DESCRIPTION

1.1 APERÇU

Voir fiche de figure à part 1-19

- | | |
|---|---|
| <p>1 Leviers de commande de direction</p> <p>2 Levier d'ajustement de siège</p> <p>3 Phare</p> <p>4 Roues avant</p> <p>5 Déflecteur d'herbe</p> <p>6 Roues d'entraînement</p> <p>7 Panneau de commande</p> <p>8 Port USB</p> <p>9 Porte-gobelet</p> <p>10 Carter</p> <p>11 Roues anti-scalping</p> <p>12 Levier d'ajustement de hauteur de carter</p> <p>13 Panneau de siège</p> <p>14 Fiche de sécurité de siège</p> <p>15 Cache de mulching</p> <p>16 Bague de roulement</p> <p>17 Attaches de fixation</p> | <p>18 Perche de montage</p> <p>19 Molette de dérivation neutre</p> <p>20 Numéro de série</p> <p>21 Code d'appariement</p> <p>22 Code QR</p> <p>23 Compartiment de batterie</p> <p>24 Batterie</p> <p>25 Loquet de batterie</p> <p>26 Alimentation arrêt</p> <p>27 Alimentation marche</p> <p>28 Orifice de clé de contact</p> <p>29 Boulon</p> <p>30 Rondelle</p> <p>31 Lame</p> <p>32 Flexible de jardin</p> <p>33 Accouplement rapide</p> <p>34 Port de lavage</p> <p>35 Sortie de purge d'huile</p> <p>36 Niveau d'huile</p> |
|---|---|

1.2 PANNEAU DE COMMANDE



#	Nom	Fonction
1	Affichage numérique	Cet affichage offre des informations importantes sur le système électrique. Référez-vous à la section Électrique pour des informations complètes.
2	Commande de régime moteur de lame / Retour	Ajustez la vitesse de lame (cyclique) sur la page d'accueil. Appuyez sur le bouton pour revenir à la page précédente.
3	Navigation de menu / Page haut	Allez à la dernière page de l'affichage numérique. Revenez à l'écran d'accueil.
4	Interrupteur de lampe / Page bas	Allumez /éteignez les lampes une fois sur la page d'accueil. Allez à la page suivante de l'affichage numérique.
5	Commande de régime d'entraînement / Confirmer	Ajustez la vitesse de conduite (cyclique) sur la page d'accueil. Appuyez sur le bouton pour confirmer.
6	Interrupteur d'alimentation	L'interrupteur sert à allumer /éteindre la tondeuse.
7	Interrupteur marche/arrêt des lames de carter (PDF)	Cet interrupteur engage les moteurs de lames. Levez l'interrupteur pour engager les lames et baissez-le pour les stopper.

i IMPORTANT

N'engagez jamais les moteurs de lames si le carter est chargé. Les moteurs ou le carter pourraient s'endommager.

2 DÉBALLAGE DE LA MACHINE

▲ AVERTISSEMENT

Assurez-vous d'assembler correctement la machine avant son usage.

▲ AVERTISSEMENT

- Si des pièces de la machine sont endommagées, n'utilisez pas la machine.
- Si des pièces sont manquantes, n'utilisez pas la machine.
- Si des pièces sont endommagées ou manquantes, contactez le centre d'entretien.

- FR
1. Ouvrez l'emballage.
 2. Lisez la documentation fournie dans la boîte.
 3. Retirez toutes les pièces non-assemblées de la boîte.
 4. Retirez la machine de la boîte.
 5. Mettez la boîte et le matériau d'emballage au rebut dans le respect de la réglementation locale.

▲ AVERTISSEMENT

Pour votre sécurité personnelle, n'insérez pas la batterie avant que l'outil ne soit assemblé complètement.

3 INSTALLATION

3.1 INSTALLATION DU SIÈGE

Voir figure 3

1. Placez l'assemblage de siège sur le panneau de siège et alignez les orifices comme illustré.
2. Installez les boulons, rondelles et écrous et serrez fermement.
3. Fixez les manchons sur les écrous.
4. Assurez-vous de l'assise en toute sécurité.
5. Connectez la fiche de sécurité de siège à la machine.

3.2 INSTALLATION DU CACHE DE MULCHING

Voir figure 4

À l'expédition, la tondeuse est configurée pour une décharge latérale. Pour le mulching :

1. Placez le cache de mulching sur la languette du carter de tondeuse.
2. Alignez les orifices du cache de mulching et ceux du carter de tondeuse.
3. Installez et serrez les boulons, vis, attaches de fixation et bague de roulement comme illustré.

3.3 INSTALLATION DE LEVIERS DE COMMANDE DE DIRECTION

Voir figure 5-6

▲ AVERTISSEMENT

Les leviers de direction gauche et droit devraient être ajustés de sorte à s'aligner entre eux une fois en position neutre. N'INSTALLEZ JAMAIS les leviers de direction à une hauteur de travail asymétrique.

1. Levez un levier de commande de direction pour aligner ses orifices avec ceux dans la perche de montage correspondante.
2. Sélectionnez la hauteur de travail préférée de levier de direction. Insérez la vis avec la rondelle dans l'orifice.
3. Utilisez la clé (13*16 mm) pour fixer le levier de direction.
4. Assemblez l'autre levier de commande de direction pareillement.

▲ AVERTISSEMENT

N'installez pas le levier de commande de direction inversé.

3.3.1 LEVIERS DE COMMANDE DE DIRECTION

Les deux leviers commandent la vitesse, le sens, l'arrêt, le verrou au point mort et le frein de stationnement de la tondeuse. Les leviers servent à diriger, accélérer, ralentir, s'arrêter et changer de sens. Lorsque les leviers de commande sont en position de frein de stationnement, la tondeuse ne bouge pas.

i REMARQUE

Conduisez systématiquement avec les deux mains. Ne conduisez pas uniquement d'une main.

3.3.2 UTILISATION DE L'APP

Voir figure 9-10

1. Visitez le site Web de Fleet Management : fleet.cramertools.com
2. Créez un compte puis connectez-vous.
3. Invitez d'autres utilisateurs de votre organisation.
4. Scannez le code QR, téléchargez l'app et connectez-vous.
5. Ajoutez un dispositif. Trouvez le numéro de série, le code d'appariement et le code QR sur l'étiquette d'appariement du véhicule dans ce manuel. Scannez le code QR ou saisissez-le manuellement.

3.4 MOLETTE DE DÉRIVATION NEUTRE

Voir figure 7-8

1. Tirez les molettes de dérivation neutre vers l'extérieur puis vers le bas pour déverrouiller la roue.
2. Ramenez les molettes de dérivation neutre en position pour verrouiller les roues.

▲ AVERTISSEMENT

Ne conduisez jamais la tondeuse avec la molette de dérivation neutre en fonctionnement. Installez systématiquement la molette de dérivation neutre sur sa position initiale avant la conduite ! Un défaut d'installation de la molette pourrait entraîner des dommages graves pour votre tondeuse et annuler sa garantie !

▲ AVERTISSEMENT

Ne déverrouillez jamais le levier de dérivation neutre si la machine travaille en pente !

3.5 ROUES ANTI-SCALPING

Voir figure 2

Des kits de roues anti-scalping sont fournis en série sur les unités Cramer. Ces roues anti-scalping sont pensées pour minimiser le scalpage en cas de tonte sur un terrain grossier ou irrégulier. Après le réglage de la hauteur de coupe, ajustez les roues anti-scalping de sorte à les étendre sous le carter mais sans toucher le sol. Elles devraient systématiquement se trouver au moins 0,6 cm à 1,9 cm sous le carter. Avec l'unité reposant sur une surface plane de niveau, la position des roues peut être ajustée (haut ou bas) si nécessaire entre 1,9 cm et 4,4 cm sous la surface de lame. Montez ou descendez les roues en utilisant les différents orifices de support d'essieu dans le support de montage des roues (selon le modèle).

4 INSTRUCTIONS D'UTILISATION

4.1 AVANT LE TRAVAIL

4.1.1 AJUSTEMENT DU SIÈGE

Voir figure 11

▲ AVERTISSEMENT

Assurez-vous que le plateau de siège est boulonné en toute sécurité avant chaque usage pour éviter que le siège de bouge ou s'incline en cas de basculement ou de retournement de la tondeuse.

1. Poussez les leviers de commande de direction vers l'extérieur sur la position FREIN DE STATIONNEMENT avant d'ajuster le siège.
2. Asseyez-vous sur le siège et levez le levier d'ajustement de siège.
3. Tout en maintenant le levier, glissez le siège sur la position souhaitée.
4. Relâchez le levier et assurez-vous que le siège est verrouillé en position avant d'utiliser la tondeuse.

▲ AVERTISSEMENT

Assurez-vous que le siège est verrouillé en place avant d'utiliser la tondeuse. Un siège qui n'est pas fixé risque de laisser glisser l'opérateur et de lui faire perdre le contrôle de la tondeuse, occasionnant de possibles blessures graves, voire mortelles.

4.1.2 AJUSTEMENT DE HAUTEUR DE COUPE DE CARTER

Voir figure 12

Avant d'utiliser la tondeuse, levez la hauteur du carter sur la position de coupe la mieux adaptée à votre pelouse.

La hauteur du plateau de coupe est réglable depuis 3.81-11.4 cm. Le carter devrait être levé pendant la tonte pour éviter les souches, pierres et autres obstacles susceptibles d'endommager le carter de tondeuse.

▲ AVERTISSEMENT

Maintenez fermement le levier d'ajustement de hauteur de carter pour régler la hauteur de carter et relâchez-le uniquement quand il est fixé dans la fente souhaitée. En relâchant rapidement le levier, vous pourriez créer un risque de pincement ou de traction sur la main de l'opérateur.

1. Arrêtez la tondeuse et dégagez les lames.
2. Positionnez la clé sur OFF et serrez le frein de stationnement.
3. Pour lever le carter de coupe, saisissez le levier d'ajustement de hauteur de carter, poussez vers la gauche pour le dégager de la fente, déplacez-le vers l'arrière de la tondeuse puis poussez à droite dans la fente pour le fixer.
4. Pour baisser le carter de coupe, saisissez le levier d'ajustement de hauteur de carter, poussez vers la gauche pour le dégager de la fente, déplacez-le vers l'avant de la tondeuse puis poussez à droite dans la fente pour le fixer.

4.1.3 AJUSTEMENT DE LEVIER DE COMMANDE DE DIRECTION

Les leviers de commande de direction peuvent être ajustés pour le confort de l'opérateur. En desserrant les vis de cache fixant le levier de commande supérieur sur le levier inférieur, le levier de commande supérieur peut pivoter pour s'adapter aux préférences personnelles de l'opérateur. Les leviers de commande de direction devraient être ajustés de sorte à s'aligner entre eux une fois en position neutre.

4.1.4 INSTALLATION DE LA BATTERIE

Voir figure 13

Pour vous assurer que les batteries sont chargées à fond, vérifiez l'indicateur de niveau de batterie. Voir le manuel de la batterie pour en savoir plus.

1. Levez le panneau de siège.
2. Levez le cache du compartiment de batterie.
3. Installez le pack-batterie dans le compartiment de batterie.

▲ AVERTISSEMENT

Alignez les nervures de la batterie avec le port de batterie. Assurez-vous que le loquet de batterie s'enclenche avec fluidité dans le compartiment de batterie.

4.1.5 AVANT D'UTILISER LA MACHINE

- Assurez-vous qu'aucun enfant, passant ou animal de compagnie ne se trouve dans la zone de travail.
- Dégagez la zone de travail des objets pouvant être projetés par les lames de tondeuse.
- Vérifiez le fonctionnement du frein.
- Vérifiez la pression des pneus.
- Vérifiez si des fixations sont desserrées.
- Assurez-vous que toutes les protections sont en place et fonctionnent correctement.
- Nettoyez les débris de la tondeuse.
- Testez le système de verrouillage de démarrage de sécurité.
- Ajustez le siège sur la position souhaitée.
- Vérifiez le niveau de charge de batterie.

FR

4.1.6 SYSTÈME DE VERROUILLAGE DE DÉMARRAGE DE SÉCURITÉ

La machine est équipée d'un système de verrouillage de démarrage de sécurité comprenant les interrupteurs de frein de stationnement, l'interrupteur de présence d'opérateur et l'interrupteur marche/arrêt des lames de carter.

Le système de verrouillage de démarrage de sécurité de la tondeuse est aussi conçu pour protéger l'opérateur et les autres personnes contre les blessures accidentelles du fait du démarrage inopiné du système d'entraînement de la traction.

Vérifiez quotidiennement avant chaque utilisation le système de verrouillage de démarrage de sécurité. Ce système est une fonctionnalité de sécurité importante de la tondeuse. Il devrait être réparé immédiatement en cas de dysfonctionnements. La machine intègre un interrupteur de présence d'opérateur distinct qui arrête le système d'entraînement et les moteurs de carter si l'opérateur n'est pas à sa place pour une raison quelconque pendant le fonctionnement de la tondeuse. C'est une fonctionnalité de sécurité pensée pour éviter un emballement ou un enchevêtrement accidentel.

▲ AVERTISSEMENT

Le système de verrouillage de sécurité ne doit pas être déconnecté ou mis en dérivation. Ce faisant, vous risqueriez un fonctionnement imprévu de la machine, source de blessures.

Inspection du système :

1. L'opérateur doit être sur le siège pour tester l'interrupteur de présence d'opérateur.
2. Tournez la clé de afin de démarrer la machine.
3. Tirez les leviers de commande de direction sur les fentes stationnement.
4. Tirez vers le haut l'interrupteur PDF pour engager le moteur.
5. Levez-vous lentement du siège. Le système de lames de coupe devrait s'arrêter.
6. Si le système de lames de carter ne s'arrête pas quand l'opérateur est hors du siège et si la cause ne peut pas être déterminée, contactez immédiatement votre revendeur Cramer.

4.2 UTILISATION DE LA MACHINE

4.2.1 DÉMARRAGE DE LA MACHINE

Voir figure 14

i REMARQUE

Faites sortir les passants de la zone avant d'utiliser la tondeuse. Si quiconque entre dans la zone de tonte, arrêtez immédiatement et ne reprenez pas la tonte tant que les passants ne sont pas sortis de la zone.

1. Levez le carter de tondeuse sur la position la plus élevée.
2. Insérez la clé de contact et positionnez-la sur ON.
3. Tirez les leviers de commande de direction gauche et droit vers l'intérieur.
4. Tirez vers le haut l'interrupteur PDF de carter afin de démarrer les lames de coupe pour la tonte.

i REMARQUE

Engagez les lames uniquement lorsque les leviers de commande de direction sont en position NEUTRE !
N'engagez JAMAIS les lames pendant la tonte !

- Placez les leviers de commande de direction sur la position avant (D) et conduisez jusqu'à l'emplacement de tonte souhaité.

i REMARQUE

Soyez prudent en traversant les allées et chemins en gravier. Avant de traverser, dégagez les lames et levez le carter de coupe sur la position la plus élevée afin de minimiser la possibilité de ricochet. Conduisez lentement pour éviter une perte de contrôle et de traction.

i REMARQUE

Ne tentez pas de changer de direction de fonctionnement pendant que la tondeuse est en mouvement. Arrêtez-vous toujours complètement avant de changer de direction avec la tondeuse.

i REMARQUE

Les leviers de commande de direction reviennent directement en position neutre si vous les relâchez mais vous devez tout de même les contrôler manuellement pour atteindre la position neutre.

4.2.2 CONDUITE DE LA MACHINE

Après le démarrage du système d'entraînement de traction, engagez les leviers de commande de direction et dirigez comme suit :

▲ AVERTISSEMENT

Soyez systématiquement conscient de ce qui se trouve derrière la machine avant de reculer. Ne tondez pas en marche arrière sauf si c'est absolument nécessaire. Regardez systématiquement vers le bas et en arrière avant comme pendant le mouvement de recul.

▲ AVERTISSEMENT

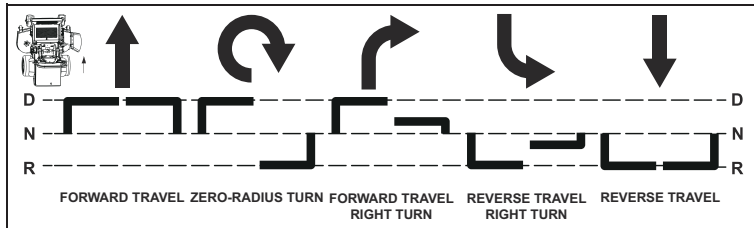
Un mouvement rapide des leviers de commande de direction est déconseillé car il risque d'endommager les composants du système électrique.

- Pour avancer**, poussez les leviers de commande de direction en avant sur la même distance.
- Pour reculer**, tirez les leviers de commande de direction en arrière sur la même distance.
- Pour tourner à gauche**, déplacez le levier de commande de direction droit plus en avant depuis la position neutre que le levier de commande de direction gauche.
- Pour tourner à droite**, déplacez le levier de commande de direction gauche plus en avant depuis la position neutre que le levier de commande de direction droit.
- Pour exécuter un virage à rayon de braquage zéro**, avancez l'un des leviers de commande de direction et reculez l'autre. Les roues d'entraînement vont ainsi effectuer une rotation contraire.
- Pour arrêter ou ralentir**, déplacez les leviers de commande de direction vers la position neutre. En marche avant, tirez doucement sur les leviers de commande de direction. En marche arrière, poussez doucement sur les leviers de commande de direction.
- Pour un arrêt d'urgence**, vous pouvez employer deux méthodes :
 - En marche avant ou arrière, placez immédiatement les leviers de commande de direction sur la position de frein de stationnement. En vous déplaçant en arrière, poussez doucement en avant les leviers de commande de direction et évitez tout mouvement soudain. Un mouvement soudain quelconque risque de décoller l'avant de la tondeuse du sol, provoquant une perte de contrôle possible, source de blessures graves, voire mortelles.
 - Positionnez la clé de contact sur OFF. Vous coupez ainsi le système d'entraînement de traction et le système d'entraînement des moteurs de lame de coupe.
- Pour tourner à droite en trois points**, déplacez le levier de commande de direction gauche plus en avant depuis la position neutre que le levier de commande de direction droit et commencez à tourner. Ensuite, tirez en arrière les leviers de commande de direction jusqu'à ce qu'ils dépassent la position neutre et que la machine

commence à reculer. Tirez le levier de commande de direction droit plus en arrière depuis la position neutre que le levier de commande de direction gauche jusqu'à ce que l'arrière de la machine pivote. Ensuite, poussez en avant les leviers de commande de direction jusqu'à ce qu'ils dépassent la position neutre et que la machine commence à avancer. Poussez le levier de commande de direction gauche plus en avant depuis la position neutre que le levier de commande de direction droit et terminez de tourner.

- **Pour accélérer**, augmentez la distance des leviers de commande de direction depuis la position neutre. Plus les leviers de commande de direction sont éloignés en avant depuis la position neutre, plus la machine avance vite. Plus les leviers de commande de direction sont éloignés en arrière depuis la position neutre, plus la machine recule vite.

AVANT DE TONDEUSE FACE À CETTE DIRECTION



N= POSITION NEUTRE

D= POSITION DE CONDUITE

R= POSITION DE MARCHÉ ARRIÈRE

Les flèches indiquent le sens du mouvement de la tondeuse



Levier de commande de direction gauche



Levier de commande de direction droit

4.2.3 ARRÊT DE LA MACHINE

▲ DANGER

N'effectuez jamais d'arrêts ou d'inversions de sens soudains, spécialement si vous manœuvrez en pente. La direction est conçue pour être très réactive. Un mouvement rapide des leviers de commande de conduite dans un sens quelconque pourrait provoquer une réaction de la machine risquant de causer des blessures graves.

1. Ramenez les leviers de commande de direction sur la position neutre. Poussez les leviers de commande de direction vers l'extérieur sur la position de frein de stationnement.
2. Enfoncez l'interrupteur marche/arrêt des lames de carter (PDF) pour arrêter les lames.
3. Positionnez l'interrupteur d'alimentation sur OFF.

▲ AVERTISSEMENT

Il est recommandé de retirer la clé de contact de la machine pour éviter un démarrage accidentel de la machine.

4.2.4 UTILISATION DU PORT USB

Voir figure 15

Le port de charge USB offre une puissance de charge de 5 Volts CC jusqu'à 2,1 A pour votre portable, lecteur MP3 ou autre dispositif USB. Consultez le manuel du propriétaire de votre dispositif pour les exigences de charge spécifiques.

Connectez un bout du câble USB (non fourni) à votre dispositif et l'autre bout au port de charge USB sur la tondeuse pour débiter la charge de votre dispositif.

Français

i REMARQUE

Une tentative de charger des dispositifs présentant un nominal supérieur à 2,1 A risque d'endommager le port de charge USB ou la tondeuse.

i REMARQUE

Le port USB est alimenté uniquement quand la machine est démarrée.

▲ AVERTISSEMENT

N'utilisez jamais d'écouteurs ou un quelconque dispositif électronique, comme un smartphone ou une tablette, en utilisant la tondeuse. Un travail distrait peut provoquer un accident susceptible de causer des blessures graves, voire mortelles, pour l'opérateur comme les passants.

4.2.5 SUGGESTIONS DE FONCTIONNEMENT

▲ DANGER

Avant le travail, l'opérateur devrait se familiariser soigneusement avec l'usage et le fonctionnement appropriés de l'équipement, lire complètement et attentivement le manuel et avoir effectué quelques manœuvres lentes pour être familier du fonctionnement de l'équipement avant de tenter de l'utiliser à vitesse normale. Un opérateur débutant ne devrait pas tenter de tondre en pente ou sur un terrain irrégulier.

▲ AVERTISSEMENT

En cas de perte de contrôle de la direction en travaillant avec la machine, placez les leviers de commande de direction immédiatement sur la position de frein de stationnement et positionnez la clé sur OFF. Inspectez la machine et consultez votre revendeur Cramer pour résoudre le problème avant de poursuivre le travail.

▲ AVERTISSEMENT

Les leviers de commande de direction de l'unité sont très réactifs. Pour un fonctionnement fluide, déplacez les leviers lentement en évitant les mouvements soudains. Compétence et aisance de travail sont les fruits de la pratique et de l'expérience. La machine peut tourner très rapidement. Faites attention en tournant et ralentissez avant les virages brusques.

Les opérateurs débutants peuvent avoir tendance à exagérer la direction et à perdre le contrôle. La pratique de manœuvres lentes est recommandée pour se familiariser avec ces caractéristiques avant de tenter de travailler à vitesse normale.

▲ AVERTISSEMENT

Les dénivellements ou les obstacles saillants (comme les égouts ou les trottoirs) ne devraient pas être approchés directement à vitesse rapide pour tenter de les "sauter" car l'opérateur risque d'être projeté de l'équipement. Approchez à vitesse lente et positionnez une roue d'entraînement en angle sur l'obstruction. Continuez selon un angle jusqu'à ce que la roue passe puis faites pivoter la roue opposée autour.

Pour un virage sur un gazon meuble ou mouillé, maintenez les deux roues en mouvement en marche avant ou arrière. Le pivotement sur une roue arrêtée risque d'endommager le gazon. Maintenez les lames affûtées. Nombre de problèmes de motifs de coupe incorrects sont imputables à des lames émoussées ou mal affûtées. L'affûtage des lames est à vérifier quotidiennement.

▲ DANGER

Ne travaillez jamais avec les lames si la clé est dans l'interrupteur d'allumage. Placez systématiquement l'interrupteur marche/arrêt des lames de carter (PDF) sur la position dégagée, placez les leviers de commande de direction sur la position de frein de stationnement, positionnez la clé sur OFF et retirez la clé de l'interrupteur. Calez la tondeuse si vous devez travailler dessous. Portez des gants pour manipuler les lames. Vérifiez systématiquement l'état des lames si la tondeuse heurte une pierre, une branche ou un autre corps étranger durant la tonte.

- **Dirigez l'éjection d'herbe à droite**, à l'écart de la zone non tondue. Sélectionnez un schéma de tonte dirigeant l'éjection d'herbe vers l'extérieur de la zone de tonte. Généralement, il s'agit d'un schéma de tonte utilisant des virages à gauche car l'éjection latérale est à droite. En tout cas, évitez de projeter l'herbe déchargée sur la zone non tondue car elle est alors tondue deux fois. Une double tonte impose une charge inutile sur l'unité et réduit l'efficacité de la tonte.
- **Pour la première tonte d'une pelouse**, coupez l'herbe légèrement plus longue que la normale pour éviter le scalpage d'un terrain irrégulier. Si possible, préférez utiliser une hauteur de coupe utilisée par le passé. Pour couper une herbe de plus de 152 mm (6"), vous pourriez préférer la tondre en deux fois pour assurer une meilleure qualité de coupe.
- **Durant la tonte normale**, coupez uniquement environ 38mm (1,5") des brins d'herbe. Une coupe supérieure n'est pas recommandée sauf si l'herbe est éparsée ou à la fin de la saison de tonte.
- **Alternez les modes de tonte entre les coupes** pour une pousse d'herbe bien droite et une meilleure dispersion des coupures d'herbe.
- **N'oubliez pas : l'herbe pousse à des rythmes différents** aux différentes époques de l'année. Tondez plus souvent au début du printemps pour préserver la même hauteur de coupe. À mesure que la pousse de l'herbe ralentit en été, tondez moins fréquemment. Si vous ne pouvez pas tondre à intervalles réguliers, tondez d'abord à une hauteur de coupe élevée puis retondez deux jours plus tard à une hauteur de coupe plus basse.
- **Élevez la hauteur de coupe de la tondeuse** si la largeur de coupe de la tondeuse est supérieure à celle de la tondeuse précédente. Vous assurez ainsi qu'un gazon irrégulier n'est pas coupé trop court.
- **Élevez la hauteur de coupe de la tondeuse** si l'herbe est légèrement plus haute que la normale ou si elle présente une teneur élevée en humidité. Retondez alors à nouveau avec une hauteur de coupe inférieure.
- **Si le mouvement en avant de la machine doit être arrêté** pendant la tonte, une touffe de coupures d'herbe peut tomber sur votre pelouse. Pour l'éviter, passez sur une zone déjà coupée avec les lames engagées.
- **Chargez immédiatement la batterie** si la puissance de batterie de la machine est inférieure à 5%.

N° de modèle	Capacité de la batterie	Action	Capacité de la batterie	Action
82ZT107	≤5%	La vitesse de conduite maximum est de 6.4 km/h.	≤5%	La lame de travail s'arrête automatiquement. L'unité devrait être immédiatement retournée vers la zone de charge de batterie et être connectée au chargeur de batterie.

- **Laissez les moteurs refroidir 30 minutes.** Si le moteur d'entraînement dépasse la température programmée, le régime moteur diminue. Si la température continue d'augmenter, l'entraînement se coupe à une température programmée supérieure.

4.2.6 TRAVAIL EN PENTE

Voir figure 16

Les pentes sont un facteur majeur de perte de contrôle et d'accidents de basculement, sources de blessures graves, voire mortelles. Le travail en pente exige un surcroît de précaution. Si vous n'arrivez pas à reculer sur la pente ou si vous ne vous ne sentez à l'aise pour le faire, ne la tondez pas.

- En pente, déplacez-vous dans le sens recommandé par le fabricant. Soyez prudent pour travailler à proximité des pentes prononcées.
- N'utilisez pas la machine sous une quelconque condition où la traction, la direction ou la stabilité est en question. Les pneus pourraient glisser même avec les roues à l'arrêt.
- Maintenez systématiquement la machine avec une vitesse enclenchée pour descendre une pente. Ne descendez pas une pente en roue libre.
- Faites preuve d'une précaution extrême pour le travail en pente.
- Ne retirez et ne modifiez aucune roue.
- Faites attention aux trous, ornières, bosses, pierres ou autres objets masqués. Un terrain irrégulier risque de faire se retourner la machine. Les herbes hautes peuvent masquer les obstacles.

- Retirez les obstacles comme les pierres, branches, déchets, etc.
- Tous vos mouvements en pente doivent être lents et progressifs. N'effectuez aucun changement soudain de vitesse ou de sens.
- Évitez les démarrages et arrêts en pente. Si les pneus perdent leur traction, libérez les lames et descendez lentement la pente en ligne droite.
- Tondez à une distance de sécurité (minimum 3 m (10 ft)) des ravins, murs de retenue, fossés de drainage, remblais, points d'eau et autres types de danger pour éviter qu'une roue ne dépasse le bord ou que le sol ne s'effondre. Vous réduisez ainsi le risque de retournement soudain de la machine pouvant provoquer des blessures graves, voire mortelles.
- Utilisez une tondeuse poussée ou un coupe-bordure manuel sur les pentes et à proximité des ravins, murs de retenue, fossés de drainage, remblais et points d'eau.
- Ne tondez pas sur une herbe humide. Une traction réduite pourrait entraîner une glissade et une perte de contrôle de la direction.
- Ne remorquez pas en pente. Le poids de l'équipement remorqué peut provoquer une perte de traction et de contrôle.
- Si les pneus de la tondeuse perdent leur traction en travaillant en pente, stoppez les moteurs de lame de coupe, placez les leviers de commande de direction sur la position de frein de stationnement, positionnez la clé de contact sur OFF, retirez la clé et cherchez de l'aide.
- N'effectuez jamais de démarrages, d'arrêts, de virages ou d'inversions de sens soudains, spécialement si vous manœuvrez en pente. La direction est conçue pour être très réactive. Un mouvement rapide des leviers de commande de conduite dans un sens quelconque pourrait provoquer une réaction de la machine risquant de causer des blessures graves.
- Ne vous arrêtez jamais soudainement en reculant en descente. Cette action risque de provoquer une réaction de la machine susceptible de causer des blessures graves.
- La tondeuse Cramer est capable de travailler à l'horizontale (transversal) sur les pentes modérées. Pour le travail sur les pentes jusqu'à 15 degrés, soyez attentif à toutes les conditions pouvant faire perdre leur traction aux pneus d'entraînement de la tondeuse, suscitant une possible perte de contrôle de la machine. Un opérateur ne devrait pas travailler en pente tant qu'il n'est pas soigneusement familiarisé avec l'équipement.

Ne travaillez pas sur des pentes supérieures à 15 degrés.

Référez-vous au Guide de pente pour déterminer le degré d'inclinaison de la pente à tondre. Il est vivement recommandé que l'opérateur conduise la machine hors de la pente en faisant preuve d'une précaution extrême en cas de détection d'un quelconque signe de perte de traction. Attendez que la condition origine du problème soit corrigée avant de tenter à nouveau de travailler en pente. Les conditions du terrain peuvent affecter la traction, entraînant une possible perte de contrôle de la machine. Voici quelques conditions pour lesquelles vous devez faire attention :

1. Terrain mouillé
2. Caractéristiques du terrain (ex. trous, ornières, coulées)
3. Tas de déchets
4. Certains types de sol (ex., sable, déchets en vrac, gravier, boue)
5. Type, densité et hauteur d'herbe
6. Conditions extrêmement sèches
7. Pression de pneu

Les accessoires montés sur la tondeuse affectent aussi son comportement en pente. Notez que les caractéristiques de chaque accessoire varient.

Voici seulement quelques exemples de situations où des précautions s'imposent pour travailler en pente. D'autres possibilités existent et sont trop nombreuses pour les énumérer toutes. N'oubliez pas : faites systématiquement preuve d'une précaution extrême pour travailler sur une quelconque pente.

5 SYSTÈME ÉLECTRIQUE

5.1 SÉCURITÉ DU SYSTÈME ÉLECTRIQUE

- Retirez la clé et les batteries et lisez le manuel du propriétaire avant tout ajustement ou réparation de l'unité.

- Retirez systématiquement la clé et les batteries avant de travailler sur cette unité.
- Retirez systématiquement la clé et les batteries pour le transport de l'unité.
- Débarrassez l'unité des coupures d'herbe, feuilles et autres débris. NE pulvérisez PAS d'eau pour nettoyer l'unité. Utilisez uniquement de l'air comprimé. Portez une protection auditive et oculaire adéquate pour le nettoyage de l'unité.
- Portez systématiquement des lunettes de sécurité et un équipement de protection à proximité de la batterie. Utilisez des outils isolés.
- Débarrassez le compartiment de batterie, le compartiment du moteur d'entraînement, le carter de tondeuse, le siège, etc., de tous les débris et salissures. N'utilisez pas de solvants, de détergents agressifs ou de produits abrasifs.
- Lorsque la clé est positionnée sur ON, la lame de tondeuse peut s'engager si l'interrupteur marche/arrêt des lames de carter (PDF) est engagé même si le moteur d'entraînement ne tourne pas. Maintenez les passants à l'écart pour engager l'interrupteur marche/arrêt des lames de coupe.
- Toutes les zones de maintenance et de stockage devraient être correctement ventilées selon les ordonnances et codes applicables à la protection contre les incendies afin d'éviter un danger de départ de feu.
- Interdisez toute flamme, étincelle ou fumée à proximité des batteries.
- Maintenez les batteries hors de portée des enfants.
- Maintenez systématiquement les écrans protecteurs, caches et protections en place et bien fixés. S'ils s'endommagent, réparez ou remplacez-les immédiatement. Ne modifiez ou retirez jamais les dispositifs de sécurité.

5.2 INFORMATIONS DU SYSTÈME ÉLECTRIQUE

La tondeuse Cramer est alimentée par un système électrique de 82 volts. Il comprend les composants suivants :

1. Contrôleur de lames (1)
2. Moteurs de lames (2)
3. Contrôleur d'entraînement (1)
4. Accélérateur - droite (1)
5. Accélérateur - gauche (1)

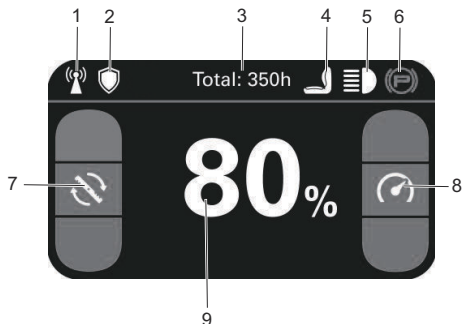
6 ERREURS

Le système CANBUS agit pour protéger l'utilisateur et la machine dès qu'il détecte un problème. S'il agit en arrêtant la machine ou un composant, il indique qu'une erreur s'est produite en l'affichant sur l'affichage numérique. Toutes les erreurs électriques comportent un code lettré suivi d'un nombre. La première lettre décrit le système ayant causé l'erreur selon le tableau suivant :

6. Affichage numérique (1)
7. Moteur de roues (2)
8. Pack-batterie (1)

5.3 AFFICHAGE NUMÉRIQUE

Situé sur le panneau de commande, l'affichage numérique offre à l'opérateur des informations sur le système électrique. Il donne des informations détaillées sous la forme de motifs, codes et nombres.



#	Nom	Fonction
1		Signal 4G GPS
2		GreenShield
3	Total : 350h	Autonomie de véhicule
4		L'interrupteur de siège est fermé.
5		Témoins LED
6		Le frein de stationnement est engagé.
7		Vitesse de lame
8		Vitesse de conduite
9	80%	Pourcentage batterie

Français

Nom	Signification
TR	Moteur et contrôleur d'excitateur droite
TL	Moteur et contrôleur d'excitateur gauche
PMU	Unité de gestion de puissance (dans le compartiment de batterie)
ML	Contrôleur de moteur de lames gauche
MR	Contrôleur de moteur de lames droite

FR

6.1 CODE D'ERREUR

Codes d'erreur	Description	Solution
TR1	Erreur de positionnement de moteur	Redémarrez l'alimentation électrique.
TR2	Moteur d'entraînement calé	Vérifiez si les roues d'entraînement sont bloquées et redémarrez l'alimentation électrique.
TR3	Protection de bas régime de moteur	Redémarrez l'alimentation électrique.
TR4	Protection de surrégime de moteur	Redémarrez l'alimentation électrique.
TR5	Erreur de capteur HALL de moteur	Vérifiez que le connecteur de capteur Hall du contrôleur d'entraînement est bien connecté puis redémarrez l'alimentation électrique.
TR6	Perte de phase de contrôleur	Vérifiez que les câbles de moteur du contrôleur d'entraînement sont bien connectés puis redémarrez l'alimentation électrique.
TR7	Erreur circuit ouvert MOSFET	Si vous rencontrez ce problème, contactez votre distributeur pour une solution.
TR8	Sous-tension de contrôleur	La tension est trop basse. Chargez le pack-batterie avant usage.
TR9	Surtension de contrôleur	La tension est trop haute. Redémarrez l'alimentation électrique.
TR10	Température de batterie basse	La température du compartiment de batterie et de la batterie est trop basse. Utilisez la machine à une température adaptée puis redémarrez l'alimentation électrique.
TR11	Surchauffe PMU Température de batterie haute	La température du compartiment de batterie et de la batterie est trop haute. Attendez que la batterie refroidisse puis redémarrez l'alimentation électrique.
TR12	Surchauffe de moteur	La température du moteur est trop élevée. Attendez que le moteur refroidisse puis redémarrez l'alimentation électrique.
TR13	Surchauffe du contrôleur	La température du contrôleur est trop élevée. Attendez que le contrôleur refroidisse puis redémarrez l'alimentation électrique.
TR14	Surintensité de logiciel	La charge est trop haute. Redémarrez l'alimentation électrique.
TR15	Surintensité de matériel	La charge est trop haute. Redémarrez l'alimentation électrique.
TR16	Erreur de contrôleur de vitesse	Vérifiez que le contrôleur de vitesse de la poignée est bien connecté puis redémarrez l'alimentation électrique.
TR17	Erreur de précharge de contrôleur	Redémarrez l'alimentation électrique.
TR18	Erreur de frein	Redémarrez l'alimentation électrique.
TR19	Erreur de séquence de fonctionnement	Placez les poignées gauche et droite sur la position de stationnement et l'interrupteur de démarrage de lames sur OFF. Asseyez-vous dans le siège puis essayez à nouveau.
TR20	Erreur de capteur d'angle	Redémarrez l'alimentation électrique.
TR21	Erreur de relais	Redémarrez l'alimentation électrique.
TR22	Erreur de vanne magnétique	Vérifiez que la vanne solénoïde du moteur d'entraînement est bien connectée puis redémarrez l'alimentation électrique.

Français

Codes d'erreur	Description	Solution
TR23	Panne de communication de compartiment de batterie (PMU)	Panne de communication avec le compartiment de batterie. Redémarrez l'alimentation électrique.
TR24	Panne de compartiment de batterie (PMU)	Erreur majeure/mineure dans le compartiment de batterie. Vérifiez puis redémarrez l'alimentation électrique.
TR25	Erreur de temporisation CAN - entraînement gauche	Panne de communication avec le contrôleur d'entraînement gauche. Redémarrez l'alimentation électrique.
TR26	Erreur de temporisation CAN - entraînement droite	Panne de communication avec le contrôleur d'entraînement droit. Redémarrez l'alimentation électrique.
TR27	Erreur de temporisation CAN - lame gauche	Panne de communication avec le contrôleur de lame gauche. Redémarrez l'alimentation électrique.
TR28	Erreur de temporisation CAN - lame centrale	Panne de communication avec le contrôleur de lame centrale. Redémarrez l'alimentation électrique.
TR29	Erreur de temporisation CAN - lame droite	Panne de communication avec le contrôleur de lame droite. Redémarrez l'alimentation électrique.
TR30	Erreur de cache à rabat de compartiment de batterie	Vérifiez que le connecteur sous le siège est bien connecté puis redémarrez l'alimentation électrique.
TR31	Erreur de vérification d'interrupteur de présence d'opérateur	Vérifiez que le connecteur sous le siège est bien connecté puis redémarrez l'alimentation électrique.
TR32	Erreur d'authentification logicielle	Redémarrez l'alimentation électrique.
TL1	Erreur de positionnement de moteur	Redémarrez l'alimentation électrique.
TL2	Moteur d'entraînement calé	Vérifiez si les roues d'entraînement sont bloquées et redémarrez l'alimentation électrique.
TL3	Protection de sous-régime de moteur	Redémarrez l'alimentation électrique.
TL4	Protection de surrégime de moteur	Redémarrez l'alimentation électrique.
TL5	Erreur de capteur HALL de moteur	Vérifiez que le connecteur de capteur Hall du contrôleur d'entraînement est bien connecté puis redémarrez l'alimentation électrique.
TL6	Perte de phase de contrôleur	Vérifiez que les câbles de moteur du contrôleur d'entraînement sont bien connectés puis redémarrez l'alimentation électrique.
TL7	Erreur circuit ouvert MOSFET	Si vous rencontrez ce problème, contactez votre distributeur pour une solution.
TL8	Sous-tension de contrôleur	La tension est trop basse. Chargez le pack-batterie avant usage.
TL9	Surtension de contrôleur	La tension est trop haute. Redémarrez l'alimentation électrique.
TL10	Température de batterie basse	La température du compartiment de batterie et de la batterie est trop basse. Utilisez la machine à une température adaptée puis redémarrez l'alimentation électrique.
TL11	Surchauffe PMU Température de batterie haute	La température du compartiment de batterie et de la batterie est trop haute. Attendez que la batterie refroidisse puis redémarrez l'alimentation électrique.
TL12	Surchauffe de moteur	La température du moteur est trop élevée. Attendez que le moteur refroidisse puis redémarrez l'alimentation électrique.

Codes d'erreur	Description	Solution
TL13	Surchauffe du contrôleur	La température du contrôleur est trop élevée. Attendez que le contrôleur refroidisse puis redémarrez l'alimentation électrique.
TL14	Surintensité de logiciel	La charge est trop haute. Redémarrez l'alimentation électrique.
TL15	Surintensité de matériel	La charge est trop haute. Redémarrez l'alimentation électrique.
TL16	Erreur de contrôleur de vitesse	Vérifiez que le contrôleur de vitesse de la poignée est bien connecté puis redémarrez l'alimentation électrique.
TL17	Erreur de précharge de contrôleur	Redémarrez l'alimentation électrique.
TL18	Erreur de frein	Redémarrez l'alimentation électrique.
TL19	Erreur de séquence de fonctionnement	Placez les poignées gauche et droite sur la position de stationnement et l'interrupteur de démarrage de lames sur OFF. Asseyez-vous dans le siège puis essayez à nouveau.
TL20	Erreur de capteur d'angle	Redémarrez l'alimentation électrique.
TL21	Erreur de relais	Redémarrez l'alimentation électrique.
TL22	Erreur de vanne magnétique	Vérifiez que la vanne solénoïde du moteur d'entraînement est bien connectée puis redémarrez l'alimentation électrique.
TL23	Panne de communication de compartiment de batterie (PMU)	Panne de communication avec le compartiment de batterie. Redémarrez l'alimentation électrique.
TL24	Panne de compartiment de batterie (PMU)	Erreur majeure/mineure dans le compartiment de batterie. Vérifiez puis redémarrez l'alimentation électrique.
TL25	Erreur de temporisation CAN - entraînement gauche	Panne de communication avec le contrôleur d'entraînement gauche. Redémarrez l'alimentation électrique.
TL26	Erreur de temporisation CAN - entraînement droite	Panne de communication avec le contrôleur d'entraînement droit. Redémarrez l'alimentation électrique.
TL27	Erreur de temporisation CAN - lame gauche	Panne de communication avec le contrôleur de lame gauche. Redémarrez l'alimentation électrique.
TL28	Erreur de temporisation CAN - lame centrale	Panne de communication avec le contrôleur de lame centrale. Redémarrez l'alimentation électrique.
TL29	Erreur de temporisation CAN - lame droite	Panne de communication avec le contrôleur de lame droite. Redémarrez l'alimentation électrique.
TL30	Erreur de cache à rabat de compartiment de batterie	Vérifiez que le connecteur sous le siège est bien connecté puis redémarrez l'alimentation électrique.
TL31	Erreur de vérification d'interrupteur de siège	Vérifiez que le connecteur sous le siège est bien connecté puis redémarrez l'alimentation électrique.
TL32	Erreur d'authentification logicielle	Redémarrez l'alimentation électrique.
ML1	Erreur de positionnement de moteur	Redémarrez l'alimentation électrique.
ML2	Moteur de lames calé	Vérifiez la charge de tonte et ramenez l'interrupteur de démarrage de lames en position initiale.
ML3	Protection de bas régime de moteur	Redémarrez l'alimentation électrique.
ML4	Protection de sursrégime de moteur	Redémarrez l'alimentation électrique.

Codes d'erreur	Description	Solution
ML5	Erreur de capteur HALL de moteur	Vérifiez que le connecteur de capteur Hall du contrôleur de lames est bien connecté puis redémarrez l'alimentation électrique.
ML6	Perte de phase de contrôleur	Vérifiez que les câbles de moteur du contrôleur d'entraînement sont bien connectés puis redémarrez l'alimentation électrique.
ML7	Erreur circuit ouvert MOSFET	Si vous rencontrez ce problème, contactez votre distributeur pour une solution.
ML8	Sous-tension de contrôleur	La tension est trop basse. Chargez le pack-batterie avant usage.
ML9	Surtension de contrôleur	La tension est trop haute. Redémarrez l'alimentation électrique.
ML10	Température de batterie basse	La température du compartiment de batterie et de la batterie est trop basse. Utilisez la machine à une température adaptée puis redémarrez l'alimentation électrique.
ML11	Surchauffe PMU Température de batterie haute	La température du compartiment de batterie et de la batterie est trop haute. Attendez que la batterie refroidisse puis redémarrez l'alimentation électrique.
ML12	Surchauffe de moteur	La température du moteur est trop élevée. Attendez que le moteur refroidisse puis redémarrez l'alimentation électrique.
ML13	Surchauffe du contrôleur	La température du contrôleur est trop élevée. Attendez que le contrôleur refroidisse puis redémarrez l'alimentation électrique.
ML14	Surintensité de logiciel	La charge est trop haute. Redémarrez l'alimentation électrique.
ML15	Surintensité de matériel	La charge est trop haute. Redémarrez l'alimentation électrique.
ML16	Erreur de contrôleur de vitesse	Vérifiez que le contrôleur de vitesse de la poignée est bien connecté puis redémarrez l'alimentation électrique.
ML17	Erreur de précharge de contrôleur	Redémarrez l'alimentation électrique.
ML18	Erreur de frein	Redémarrez l'alimentation électrique.
ML19	Erreur de séquence de fonctionnement	Placez les poignées gauche et droite sur la position de stationnement et l'interrupteur de démarrage de lames sur OFF. Asseyez-vous dans le siège puis essayez à nouveau.
ML20	Erreur de capteur d'angle	Redémarrez l'alimentation électrique.
ML21	Erreur de relais	Redémarrez l'alimentation électrique.
ML22	Erreur de vanne magnétique	Vérifiez que la vanne solénoïde du moteur est bien connectée puis redémarrez l'alimentation électrique.
ML23	Panne de communication de compartiment de batterie (PMU)	Panne de communication avec le compartiment de batterie. Redémarrez l'alimentation électrique.
ML24	Panne de compartiment de batterie (PMU)	Erreur majeure/mineure dans le compartiment de batterie. Vérifiez puis redémarrez l'alimentation électrique.
ML25	Erreur de temporisation CAN - entraînement gauche	Panne de communication avec le contrôleur d'entraînement gauche. Redémarrez l'alimentation électrique.
ML26	Erreur de temporisation CAN - entraînement droite	Panne de communication avec le contrôleur d'entraînement droit. Redémarrez l'alimentation électrique.

Codes d'erreur	Description	Solution
ML27	Erreur de temporisation CAN - lame gauche	Panne de communication avec le contrôleur de lame gauche. Redémarrez l'alimentation électrique.
ML28	Erreur de temporisation CAN - lame centrale	Panne de communication avec le contrôleur de lame centrale. Redémarrez l'alimentation électrique.
ML29	Erreur de temporisation CAN - lame droite	Panne de communication avec le contrôleur de lame droite. Redémarrez l'alimentation électrique.
ML30	Erreur de cache à rabat de compartiment de batterie	Vérifiez que le connecteur sous le siège est bien connecté puis redémarrez l'alimentation électrique.
ML31	Échec de vérification de signal de lames	Vérifiez que l'interrupteur de démarrage de lames est bien connecté puis ramenez l'interrupteur en position initiale.
ML32	Erreur d'authentification logicielle	Redémarrez l'alimentation électrique.
MR1	Erreur de positionnement de moteur	Redémarrez l'alimentation électrique.
MR2	Moteur de lames calé	Vérifiez la charge de tonte et ramenez l'interrupteur de démarrage de lames en position initiale.
MR3	Protection de bas régime de moteur	Redémarrez l'alimentation électrique.
MR4	Protection de surrégime de moteur	Redémarrez l'alimentation électrique.
MR5	Erreur de capteur HALL de moteur	Vérifiez que le connecteur de capteur Hall du contrôleur de lames est bien connecté puis redémarrez l'alimentation électrique.
MR6	Perte de phase de contrôleur	Vérifiez que les câbles de moteur du contrôleur d'entraînement sont bien connectés puis redémarrez l'alimentation électrique.
MR7	Erreur circuit ouvert MOSFET	Si vous rencontrez ce problème, contactez votre distributeur pour une solution.
MR8	Sous-tension de contrôleur	La tension est trop basse. Chargez le pack-batterie avant usage.
MR9	Surtension de contrôleur	La tension est trop haute. Redémarrez l'alimentation électrique.
MR10	Température de batterie basse	La température du compartiment de batterie et de la batterie est trop basse. Utilisez la machine à une température adaptée puis redémarrez l'alimentation électrique.
MR11	Surchauffe PMU Température de batterie haute	La température du compartiment de batterie et de la batterie est trop haute. Attendez que la batterie refroidisse puis redémarrez l'alimentation électrique.
MR12	Surchauffe de moteur	La température du moteur est trop élevée. Attendez que le moteur refroidisse puis redémarrez l'alimentation électrique.
MR13	Surchauffe du contrôleur	La température du contrôleur est trop élevée. Attendez que le contrôleur refroidisse puis redémarrez l'alimentation électrique.
MR14	Surintensité de logiciel	La charge est trop haute. Redémarrez l'alimentation électrique.
MR15	Surintensité de matériel	La charge est trop haute. Redémarrez l'alimentation électrique.
MR16	Erreur de contrôleur de vitesse	Vérifiez que le contrôleur de vitesse de la poignée est bien connecté puis redémarrez l'alimentation électrique.
MR17	Erreur de précharge de contrôleur	Redémarrez l'alimentation électrique.

Codes d'erreur	Description	Solution
MR18	Erreur de frein	Redémarrez l'alimentation électrique.
MR19	Erreur de séquence de fonctionnement	Placez les poignées gauche et droite sur la position de stationnement et l'interrupteur de démarrage de lames sur OFF. Asseyez-vous dans le siège puis essayez à nouveau.
MR20	Erreur de capteur d'angle	Redémarrez l'alimentation électrique.
MR21	Erreur de relais	Redémarrez l'alimentation électrique.
MR22	Erreur de vanne magnétique	Vérifiez que la vanne solénoïde du moteur est bien connectée puis redémarrez l'alimentation électrique.
MR23	Panne de communication de compartiment de batterie (PMU)	Panne de communication avec le compartiment de batterie. Redémarrez l'alimentation électrique.
MR24	Panne de compartiment de batterie (PMU)	Erreur majeure/mineure dans le compartiment de batterie. Vérifiez puis redémarrez l'alimentation électrique.
MR25	Erreur de temporisation CAN - entraînement gauche	Panne de communication avec le contrôleur d'entraînement gauche. Redémarrez l'alimentation électrique.
MR26	Erreur de temporisation CAN - entraînement droite	Panne de communication avec le contrôleur d'entraînement droit. Redémarrez l'alimentation électrique.
MR27	Erreur de temporisation CAN - lame gauche	Panne de communication avec le contrôleur de lame gauche. Redémarrez l'alimentation électrique.
MR28	Erreur de temporisation CAN - lame centrale	Panne de communication avec le contrôleur de lame centrale. Redémarrez l'alimentation électrique.
MR29	Erreur de temporisation CAN - lame droite	Panne de communication avec le contrôleur de lame droite. Redémarrez l'alimentation électrique.
MR30	Erreur de cache à rabat de compartiment de batterie	Vérifiez que le connecteur sous le siège est bien connecté puis redémarrez l'alimentation électrique.
MR31	Échec de vérification de signal de lames	Vérifiez que l'interrupteur de démarrage de lames est bien connecté puis ramenez l'interrupteur en position initiale.
MR32	Erreur d'authentification logicielle	Redémarrez l'alimentation électrique.
PMU10	Circuit ouvert dans pack-batterie de PMU	Pack-batterie déconnecté dans le compartiment de batterie ; les performances de la machine peuvent être affectées.
PMU11	Erreur mineure PMU	Une erreur mineure dans le compartiment de batterie a empêché le démarrage du système de lames. Attendez la reprise du système puis réinitialisez l'interrupteur de démarrage de lames.
PMU12	Erreur critique PMU	Une erreur majeure dans le compartiment de batterie a empêché le démarrage des systèmes d'entraînement et de lames. Redémarrez l'alimentation électrique et réessayez.
PMU13	Aucun pack-batterie disponible pour PMU	Vérifiez que vous utilisez le pack-batterie correct puis redémarrez l'alimentation électrique.

7 MAINTENANCE

7.1 MAINTENANCE DE LAME DE TONDEUSE

Vérifiez quotidiennement les lames de tondeuse. Elles sont essentielles au bon entretien du gazon et à l'efficacité énergétique. Maintenez-les affûtées – une lame salie va arracher au lieu de couper l'herbe, laissant une motte brune déchiquetée sur l'herbe en quelques heures. Une lame salie consomme aussi plus d'énergie. Remplacez toute lame voilée, fissurée ou cassée.

▲ AVERTISSEMENT

Ne tentez jamais de redresser une lame voilée en la chauffant, ni de souder une lame fissurée ou cassée. En effet, la lame risque de se briser et de causer des blessures graves. Remplacez les lames usées ou endommagées.

▲ AVERTISSEMENT

Ne travaillez jamais avec les lames si la clé est dans l'interrupteur d'allumage. Positionnez la clé sur OFF et retirez les pack-batteries de la machine. Calez la tondeuse si vous devez travailler dessous. Portez des gants pour manipuler les lames. Vérifiez systématiquement l'état des lames si la tondeuse heurte une pierre, une branche ou un autre corps étranger !

▲ DANGER

Un affûtage ponctuel peut être effectué avec une lime. Vérifiez l'équilibre des lames après le meulage. Un outil commercial d'équilibrage est disponible dans la plupart des magasins de bricolage. Vous pouvez aussi effectuer l'équilibrage en plaçant la lame sur un poinçon linéaire inversé ou un boulon de 12,7 mm (1/2"). La lame ne doit pas pencher ni s'incliner. En la faisant tourner lentement, la lame ne doit pas trembler. Si la lame est déséquilibrée, rectifiez-la avant de la remettre. Posez la lame sur une surface plane et vérifiez la distorsion. Remplacez toute lame déformée.

▲ AVERTISSEMENT

- Le tranchant (partie incurvée) de la lame doit pointer vers le haut en direction de l'intérieur du carter pour assurer une bonne coupe.
- Pour le montage des lames, faites-les tourner après l'installation afin de vous assurer que les pointes de lame ne se touchent pas entre elles et avec les parois de la tondeuse.
- Un défaut de serrage du boulon peut entraîner une perte de lame et donc des blessures graves.
- Les lames de tondeuse sont affûtées et peuvent donc couper. Portez des gants et faites preuve de davantage de prudence pour leur entretien.

7.1.1 REMPLACEMENT DE LAME

Voir figure 17

1. Arrêtez le moteur, retirez la clé de contact et serrez le frein de stationnement.
2. Relevez la hauteur du carter de coupe sur la position la plus élevée afin de pouvoir accéder aux lames.

i REMARQUE

Si nécessaire, levez la tondeuse en la plaçant sur un pont ou avec un cric et des chandelles ou encore retirez le carter de coupe comme décrit à la section précédente afin de pouvoir accéder aux lames.

▲ AVERTISSEMENT

Si vous levez la tondeuse afin de pouvoir accéder aux lames, assurez-vous que la tondeuse est bien arrimée et que le frein de stationnement est serré avant de procéder. Si la tondeuse n'est pas correctement arrimée, elle risque de tomber et de causer des blessures graves, voire mortelles.

3. Coincez un bloc de bois entre la lame et le carter de tondeuse pour empêcher la lame de tourner.
4. Desserrez l'écrou de lame en le tournant dans le sens antihoraire (observé depuis le dessous de la tondeuse) avec une clé de 16 mm ou une clé à douille (non fournie).
5. Retirez l'écrou de lame, l'espaceur, l'isolation de la lame et la lame.
6. Filetez l'écrou de lame sur l'arbre et serrez à la main.
7. Serrez l'écrou de lame dans le sens horaire avec une clé dynamométrique (non fournie) afin de vous assurer que le boulon est correctement serré. Le couple recommandé pour l'écrou de lame est de 90 Nm~100 Nm (66~74 ft.lbs).

▲ AVERTISSEMENT

Assurez-vous que la lame est bien en place et que l'écrou de lame est serré selon les spécifications de couple précédentes. Si la lame n'est pas correctement arrimée, elle risque de se desserrer et de causer des blessures graves.

8. Faites de même pour la seconde lame, si nécessaire.

i REMARQUE

Assurez-vous que toutes les pièces sont remises en place dans l'ordre exact de leur retrait.

7.2 PNEUS

Pour une tonte nivelée, il est important que les pneus soient bien gonflés. La pression recommandée est de :

i REMARQUE

La pression de pneu devrait uniquement être mesurée ou ajustée lorsque les pneus sont froids.

Roues d'entraînement	8 psi
Roulettes avant	37 psi

i REMARQUE

Inspectez les pneus quotidiennement. Remplacez immédiatement en cas de dommage.

▲ AVERTISSEMENT

Vérifiez par prudence la pression des pneus pendant le gonflage. Un pneu surgonflé risque d'exploser et de causer des blessures graves.

7.3 LUBRIFICATION

Voir figure 19

Veillez ajouter de l'huile avant le travail.

Type d'huile	SAE85W-140
Capacité d'huile	180 ml

Contactez votre revendeur Cramer pour remplacer la lubrification.

i REMARQUE

Remplacez l'huile du réducteur après les 50 premières heures de service de la machine puis toutes les 200 heures.

7.4 VALEURS DE COUPLE

▲ AVERTISSEMENT

Portez une attention particulière au serrage des écrous de roue d'entraînement et des boulons d'axe de lame. Un défaut de serrage correct de ces éléments peut entraîner une perte de lame ou de roue et donc des dommages et des blessures graves.

Les valeurs de couple sont fournies ci-dessous :

Pièce	Ft-lbs.	Nm
Écrous de roue	89	120
Boulon d'axe de lame	66	90

Écrous de roue uniquement -Il est recommandé de les vérifier après 2 heures de fonctionnement, initialement, puis toutes les 100 heures et après chaque retrait pour réparation ou remplacement.

7.5 MAINTENANCE DE PACK-BATTERIE

Votre tondeuse Cramer est alimentée par un pack-batterie qui, s'il est correctement entretenu, vous offre une longévité d'utilisation. Pour un entretien approprié, respectez les instructions suivantes :

- Chargez systématiquement les batteries après chaque usage.
- Dès qu'un pack-batterie est complètement déchargé et hors tension, il est préférable de recharger la batterie dès que possible. Une décharge profonde du pack-batterie signifie une longévité d'utilisation écourtée de la batterie qui peut, en outre, être endommagée en permanence. Une charge complète n'est pas nécessaire. Elle est bénéfique même si vous chargez le pack-batterie uniquement 5-10 minutes. Il est préférable de le recharger dans les 24 heures.
- Empêchez l'herbe, les salissures et les débris de s'accumuler à proximité des bornes de batterie et de la zone de la batterie.
- Chargez les batteries à l'intérieur dans une zone sèche et bien ventilée, à l'écart des étincelles et des flammes. N'exposez jamais le chargeur à la pluie, à la vapeur ou à un liquide.
- Chargez uniquement les batteries au lithium fournies par Cramer.
- Ne touchez pas la portion sans isolation du chargeur (broches de borne) ou le connecteur de sortie.
- N'utilisez pas avec des cordons ou des fils défectueux. Remplacez immédiatement les cordons et fils défectueux.
- Pour un stockage à long terme, assurez-vous que la température de stockage est entre -20°C et 45°C pendant un mois et entre 0°C et 35°C pour 2 à 12 mois.
- L'environnement de travail du pack-batterie doit être entre -20°C et 55°C pour la décharge et 0°C et 55°C pour la charge.

FR

7.6 MAINTENANCE DE FILTRE DE COMPARTIMENT DE BATTERIE

Remplacez le filtre du compartiment de batterie toutes les 200 heures.

7.7 ENTRETIEN

i IMPORTANT

Attendez l'arrêt de tous les mouvements avant l'ajustement, le nettoyage ou les réparations. Les réparations comme la maintenance nécessitant une alimentation électrique devraient uniquement être effectuées par un personnel de maintenance formé. Lisez et respectez les avertissements de sécurité sur la couverture du manuel.

i IMPORTANT

Les réparations comme la maintenance nécessitant une alimentation électrique devraient uniquement être effectuées par un personnel de maintenance formé.

- Stationnez la tondeuse sur un sol de niveau. Assurez-vous que les leviers de commande de direction sont sur la position neutre et que l'interrupteur PDF est sur OFF. Levez le carter, positionnez la clé sur OFF, retirez la clé de l'interrupteur et enlevez les pack-batteries du compartiment de batterie sous le siège.
- Toute opération de maintenance nécessitant le retrait des caches de sécurité doit être effectuée par un technicien d'entretien formé.
- Utilisez un bâton ou un instrument similaire pour nettoyer sous la tondeuse en vous assurant qu'aucun membre du corps -- spécialement les bras et les mains -- ne se trouve sous la tondeuse.
- Préservez la propreté de votre machine et retirez tout dépôt de salissure et les coupures d'herbe.
- Préservez la propreté du compartiment de batterie, du carter et de la station d'opérateur en éliminant toute accumulation de salissures, de coupures d'herbe et d'autres débris.
- Débarrassez le compartiment de batterie, le compartiment du moteur d'entraînement, le carter de tondeuse, le siège, etc., de tous les débris et salissures. Pour le nettoyage, utilisez uniquement de l'air comprimé. N'utilisez PAS d'eau, de solvants, de détergents agressifs ou de produits abrasifs.
- Portez systématiquement une protection oculaire adéquate pour l'entretien des batteries ou pour le meulage des lames de tondeuse et le retrait des débris accumulés. Ne tentez jamais un quelconque ajustement ou réparation sur le système d'entraînement de tondeuse, le carter de tondeuse ou un quelconque accessoire si le système d'entraînement de traction est en marche. Les réparations comme la maintenance nécessitant une alimentation électrique devraient uniquement être effectuées par un personnel de maintenance formé.

- Ne travaillez jamais sous la machine ou un accessoire tant qu'elle n'est pas soutenue en toute sécurité sur un cric de levage. Assurez-vous que la machine est sécurisée lorsqu'elle est levée ou placée sur les chandelles.
- Le cric de levage ne doit pas permettre le mouvement de la machine lorsque le système d'entraînement de traction est en marche et les roues d'entraînement en rotation. Utilisez uniquement un cric de levage certifié. Utilisez uniquement un cric de levage approprié offrant un poids minimum nominal de 907,2 kg (2000 livres) pour maintenir l'unité levée. Utilisez-les uniquement par paire. Respectez les instructions fournies avec le cric de levage de véhicule.
- Ne touchez pas les pièces chaudes de la machine.
- Maintenez les écrous et boulons serrés, spécialement les boulons d'accessoire de lame. Maintenez l'équipement en bon état de service.
- N'altérez jamais les dispositifs de sécurité. Vérifiez régulièrement leur fonctionnement correct.
- Positionnez la clé sur OFF avant de déboucher le déflecteur d'herbe.
- Ne dégagez jamais le déflecteur d'herbe avec la machine en marche. Positionnez la clé sur OFF et assurez-vous que les lames sont bien arrêtées avant le nettoyage. Utilisez un bâton pour dégager une zone de décharge obstruée. N'utilisez jamais vos mains !
- Arrêtez l'unité et laissez les lames s'arrêter avant de déboucher le déflecteur d'herbe. Les composants du système de collecte d'herbe sont sujets à l'usure, aux dommages et à la détérioration, risquant d'exposer ainsi des pièces mobiles ou de permettre la projection d'objets. Vérifiez fréquemment les composants et remplacez par des pièces recommandées par le fabricant, si nécessaire.
- Faites preuve de prudence pour travailler sous le carter car les lames de tondeuse sont extrêmement affûtées. Portez des gants et faites preuve de prudence pour leur entretien.
- Utilisez uniquement des pièces de tondeuse Cramer d'origine pour vous assurer de respecter les normes initiales.
- Retirez systématiquement les batteries pour le transport de l'unité. Débarrassez l'unité des coupures d'herbe, feuilles et autres débris.
- Vérifiez fréquemment le fonctionnement du frein. Ajustez et entretenez si nécessaire.
- Assurez la maintenance ou le remplacement des étiquettes de sécurité et d'instructions, si nécessaire.
- Faites assurer l'entretien de votre tondeuse à gazon autoportée par un réparateur qualifié utilisant uniquement des pièces de rechange identiques. Vous assurez ainsi la préservation de la sécurité de la tondeuse à gazon autoportée.
- Rechargez uniquement avec le chargeur spécifié par le fabricant. Un chargeur adapté à un type de pack-batterie peut créer un risque d'incendie s'il est utilisé avec un pack-batterie d'un autre type.

8 TRANSPORT ET STOCKAGE

8.1 TRANSPORT

▲ AVERTISSEMENT

Faites extrêmement attention en chargeant ou déchargeant la machine d'une remorque. Appuyez sur le bouton d'entraînement lent et déplacez prudemment les leviers d'entraînement selon les besoins pour maîtriser la vitesse. Pour charger, reculez systématiquement sur la remorque. Pour charger ou décharger la tondeuse, ne dépassez pas l'angle de fonctionnement maximum recommandé de 15°. Le non-respect de ces instructions peut entraîner une perte de contrôle et causer des blessures graves, voire mortelles, ou des dégâts matériels.

▲ AVERTISSEMENT

Faites attention en chargeant ou déchargeant la tondeuse d'une remorque. Assurez-vous que le carter de coupe est levé sur la position la plus élevée de sorte à ne pas se bloquer sur la rampe. Les roues de la tondeuse peuvent sortir de la rampe ou de la remorque, faisant pivoter ou basculer la tondeuse et causant ainsi un risque d'écrasement pouvant entraîner des blessures graves, voire mortelles.

1. Stationnez la tondeuse sur une surface de niveau.
2. Levez le carter de coupe sur la position la plus élevée.
3. Positionnez et fixez la rampe sur la remorque selon les instructions du fabricant.

i REMARQUE

Nous vous recommandons d'utiliser une rampe de chargement suffisamment large, soit au moins 30 cm plus large que la tondeuse, afin de minimiser le risque de sortie de rampe des roues de la tondeuse.

4. Reculez lentement avec la tondeuse sur la rampe et dans la remorque.
5. Abaissez complètement le carter de tondeuse.
6. Serrez le frein de stationnement.
7. Arrêtez la tondeuse et retirez la clé.
8. Arrimez la tondeuse selon les besoins avec des sangles ou des câbles pour éviter tout mouvement durant le transport.

▲ AVERTISSEMENT

Pour éviter tout démarrage ou mouvement accidentel susceptible de causer des blessures graves, retirez systématiquement la clé de contact et serrez le frein de stationnement pour le transport de la tondeuse.

FR

8.2 NETTOYAGE ET STOCKAGE

8.2.1 NETTOYEZ LA MACHINE

- Retirez toute accumulation d'herbe et de feuilles sur ou autour du cache de moteur (N'utilisez pas d'eau d'un pistolet haute pression pour rincer le moteur).
- Essuyez occasionnellement la tondeuse avec un chiffon sec pour la nettoyer.
- Si des débris s'accumulent sous la tondeuse durant l'utilisation, arrêtez le moteur, éteignez la machine et raclez pour nettoyer avec un outil approprié.

8.2.2 NETTOYAGE DU CARTER DE TONDEUSE

Voir figure 18

- Serrez le frein de stationnement. dans les fentes de stationnement.
- Ajustez le carter de tondeuse sur la hauteur la plus basse.
- Fixez l'accouplement rapide de port de lavage fourni sur le flexible de jardin.
- Fixez le flexible de jardin avec l'accouplement rapide sur le port de lavage du carter de tondeuse. Le port de lavage est sur la gauche du carter de tondeuse.
- Ouvrez l'eau.
- Tirez l'interrupteur PDF pour démarrer les lames de coupe de la tondeuse et ajustez la vitesse des lames sur le maximum.
- Rincez sous le carter avec de l'eau pendant environ une minute.
- Dégagez les lames de tondeuse en poussant l'interrupteur PDF vers le bas.
- Arrêtez l'eau et retirez le flexible de jardin et l'accouplement rapide du port de lavage.
- Retirez l'accouplement rapide du flexible de jardin et rangez-le pour usage ultérieur.
- Arrêtez complètement la tondeuse.

8.2.3 STOCKAGE DE LA MACHINE

Procédez comme suit afin de préparer la machine pour son stockage.

- Nettoyez la machine selon les descriptions de la section précédente.
- Inspectez la lame et remplacez-la ou affûtez-la, si nécessaire (voir la section Maintenance).
- Ne stockez pas la machine à côté de substances corrosives comme des engrais ou d'halite (sel de déneigement).
- Maintenez la machine hors de portée des enfants.
- Ne couvrez pas la machine sous une bâche en plastique solide. Le plastique solide piège l'humidité autour de la machine, entraînant rouille et corrosion.
- Vérifiez soigneusement toutes les pièces usées ou endommagées nécessitant un remplacement et commandez-les auprès de votre revendeur.
- Veuillez contacter le centre d'entretien pour une lubrification approfondie de la machine.
- Chargez complètement et assurez l'entretien des batteries.

- Ne dégonflez pas les pneus.
- La machine devrait être stockée dans un endroit bien ventilé, propre et sec car le chargeur de batterie ne peut pas être utilisé dans un environnement humide.
 - Maintenez systématiquement les batteries complètement chargées. Il est spécialement important d'éviter des dommages de batterie lorsque la température chute sous 0°C (32°F).
 - Fixez l'adaptateur de chargeur sur le port de charge et les batteries selon la section Adaptateur de charge de la section Système électrique.
 - Branchez le chargeur dans la prise électrique appropriée. Référez-vous aux sections Chargeur de batterie, Charge de batterie et Recommandations de charge de la section Système électrique pour en savoir plus sur l'usage du chargeur et la charge des batteries.
 - Pour maximiser la vie utile des batteries, préférez-les recharger complètement peu de temps avant chaque usage.

FR

8.2.4 PRÉPARATION À L'UTILISATION APRÈS STOCKAGE

Procédez comme suit avant d'utiliser la tondeuse après son stockage :

- Chargez les batteries à fond.
- Vérifiez la pression des pneus et gonflez-les si nécessaire.
- Conduisez brièvement la tondeuse et vérifiez tous les systèmes et composants pour vous assurer de leur bon fonctionnement.

9 DÉPANNAGE

PROBLÈME	CAUSE POSSIBLE	SOLUTION
Le véhicule ne bouge pas.	Le compartiment de batterie n'est pas inséré dans le pack-batterie ou pas dans le pack-batterie Cramer spécifié.	Pour assurer le fonctionnement normal du véhicule, au moins 1 élément des produits de pack-batterie Cramer spécifiés devrait être présent dans le compartiment de batterie.
	Le pack-batterie n'est pas chargé.	Vérifiez la charge du pack-batterie.
	Les leviers de commande de direction sont sur la position de frein de stationnement.	Assurez-vous que les leviers de commande gauche et droit ne sont pas sur la position de frein de stationnement.
	Personne n'est assis sur le siège ou l'interrupteur de présence d'opérateur n'est pas fermé.	Assurez-vous que le conducteur est assis sur le siège.
	Les interrupteurs de stationnement gauche et droit ne sont pas en position initiale lors de la mise sous tension.	Placez les leviers de commande de direction sur la position de frein de stationnement et redémarrez la machine. Si vous n'arrivez toujours pas à la démarrer, veuillez contacter le personnel du service après-vente Cramer pertinent.
	Le compartiment de batterie est en état de veille.	Positionnez la clé de contact sur OFF et attendez plus de 5 secondes avant de redémarrer la machine.
Arrêt soudain durant la conduite	La batterie n'est pas chargée.	Pour assurer le fonctionnement normal du véhicule, au moins 1 élément des produits de pack-batterie Cramer spécifiés doit être placé dans le compartiment de batterie en ayant vérifié que le pack-batterie est chargé.
	Routes accidentées et cahoteuses causant une déconnexion de l'interrupteur de présence d'opérateur.	Placez les leviers de commande de direction sur la position de frein de stationnement et redémarrez la machine.
	Panne d'accélérateur gauche /droit.	Contactez le personnel du service après-vente Cramer.
	Panne de contrôleur d'entraînement.	Contactez le personnel du service après-vente Cramer.
La lame ne fonctionne pas après avoir tiré sur l'interrupteur PDF.	Le compartiment de batterie n'est pas inséré dans le pack-batterie spécifié par Cramer.	Pour assurer le fonctionnement normal du véhicule, au moins 1 élément des produits de pack-batterie Cramer spécifiés doit être placé dans le compartiment de batterie en ayant vérifié que le pack-batterie est chargé.
	La puissance de la batterie est inférieure à 5%.	Vérifiez la charge du pack-batterie. Si elle est faible, chargez la batterie.
	L'interrupteur de présence d'opérateur n'est pas fermé.	Assurez-vous que le conducteur est assis sur le siège.
	L'interrupteur de lames (PDF) n'est pas en position initiale avant la mise en marche.	Enfoncez le PDF et tirez-le à nouveau vers le haut.
	Blocage de moteur de lames ou autre protection fonctionnelle.	Vérifiez l'absence d'herbes ou autres corps étrangers au niveau de la connexion entre la lame et le moteur pour assurer la fluidité de la rotation de la lame. Il est recommandé de relever le carter et de démarrer la lame avant d'ajuster la vitesse correcte du carter.
	Dysfonctionnement de contrôleur d'entraînement.	Vérifiez le code d'erreur qui s'affiche.

PROBLÈME	CAUSE POSSIBLE	SOLUTION
La lame s'arrête en tondant le gazon.	Dysfonctionnement de contrôleur de lames.	Vérifiez le code d'erreur qui s'affiche.
	Surcharge de moteur de lames.	Nettoyez l'intérieur du carter, assurez-vous que la rotation de la lame est normale, appuyez sur le PDF, redémarrez la machine et réduisez la charge sur la lame, soit en accroissant la hauteur du carter de coupe, soit en réduisant la vitesse de conduite.
	Température de pack-batterie trop élevée.	Ne l'utilisez pas immédiatement après la fin de la charge. Vous risquez de déclencher l'erreur de protection de température du pack-batterie.
	La puissance de la batterie est inférieure à 5%.	La puissance du pack-batterie est faible. Veuillez charger la batterie.
	La lame est heurtée par un corps étranger entraînant un arrêt soudain.	Positionnez la clé de contact sur OFF et attendez plus de 5 secondes avant de redémarrer la machine.
	Dysfonctionnement de contrôleur d'entraînement.	Vérifiez le code d'erreur qui s'affiche.
La tondeuse coupe l'herbe de manière irrégulière et la différence de hauteur est très importante.	La lame est émoussée.	Affûtez la lame selon le manuel.
	La lame est tordue.	Remplacez la lame tordue selon les instructions et portez un équipement de protection.
	Le carter n'est pas à plat.	Mettez à plat le carter selon les instructions pour assurer que les hauteurs à droite et à gauche sont égales.
La hauteur de tonte réelle ne correspond pas à celle marquée choisie.	Desserrez les boulons de fixation du carter.	Ajustez les boulons de fixation du carter pour assurer leur installation ferme. Note : le carter doit être à nouveau nivelé après l'ajustement des boulons de montage.
	Le carter a été gravement endommagé ou usé.	Remplacez avec un carter neuf.
Déchiquetage anormal du véhicule	Le gazon est trop humide.	Avant la coupe, veuillez vérifier l'état de l'herbe. Si l'herbe est trop humide, veuillez attendre que le vent ou le soleil la sèche. Attendez que la rosée se dissipe avant la coupe.
	La tondeuse est réglée pour couper trop d'herbe à la fois.	Si l'herbe est trop dense ou haute, veuillez lever le carter et éviter de couper l'herbe dense autant que possible.
Vibrations de machine excessives	Les lames sont desserrées.	Affûtez la lame selon la méthode du manuel.
	Les lames sont tordues.	Remplacez la lame tordue en prêtant attention au remplacement correct de la lame selon les instructions et portez des gants de protection.
	Carter irrégulier.	Mettez à plat le carter selon les instructions pour assurer que les hauteurs à droite et à gauche sont égales.
	Desserrez le carter.	Verrouillez les boulons fixes du carter.
	La tondeuse est réglée pour couper trop d'herbe à la fois.	Si l'herbe est trop dense ou haute, veuillez lever le carter et tenter d'éviter de couper l'herbe dense.
Débris ou brins d'herbe restant au sol après la tonte.	La tondeuse est réglée pour couper trop d'herbe à la fois.	Si l'herbe est trop dense ou haute, veuillez lever le carter. Si l'herbe dépasse 15cm, veuillez effectuer deux cycles de tonte pour obtenir la tonte souhaitée en tentant d'éviter de couper l'herbe trop dense.
	L'herbe est trop humide.	Avant la coupe, veuillez vérifier l'état de l'herbe. Si l'herbe est trop humide, veuillez attendre que le vent ou

PROBLÈME	CAUSE POSSIBLE	SOLUTION
		le soleil la sèche. Attendez que la rosée se dissipe avant la tonte.
	La vitesse de conduite est excessive.	Réduisez la vitesse de conduite.
	La vitesse de coupe de la lame est trop basse.	Augmentez la vitesse de la lame.
Durée de tonte courte	La tonte de l'herbe dense peut réduire la durée de la tonte.	Levez le carter ou réduisez la vitesse de la lame pour augmenter l'autonomie de la tondeuse avec une seule charge.
Emballement de la tondeuse	Pressions de pneus différentes	Vérifiez la pression du pneu arrière de la tondeuse régulièrement, selon le manuel.
Le véhicule ne démarre pas après le lavage.	Nettoyage inapproprié, notamment de l'eau dans l'écran LED, le compartiment de batterie ou les autres parties renfermant des composants électroniques.	<ol style="list-style-type: none"> 1. Veuillez suivre les instructions pour le nettoyage de la machine. 2. Si le véhicule est accidentellement trempé, placez-le dans un endroit sec pendant 12h ou séchez-le avec une soufflante avant de l'utiliser. 3. Contactez le personnel du service après-vente Cramer.
La tondeuse est bloquée.	Mauvaises herbes et débris accumulés sur le carter.	Veillez suivre les instructions pour le nettoyage de la machine à chaque fois que vous l'avez utilisée.
Stationnée, la machine glisse rapidement sur la pente et dérape.	Usure prononcée des pneus.	Contactez le personnel du service après-vente pour remplacer les pneus.
	Le frein électromagnétique est endommagé ou énormément usé.	Contactez le personnel du service après-vente pour remplacer le frein électromagnétique.
	Le frein électromagnétique est desserré manuellement.	Vérifiez le frein électromagnétique et remettez-le en position initiale.

10 DONNÉES TECHNIQUES

N° de modèle	82ZT107
Tension	82 V
Poids de véhicule brut	106±3 kg
Longueur	170 cm
Hauteur	117 cm
Largeur (avec déflecteur)	135 cm
Largeur (sans déflecteur)	107 cm
Largeur de carter	107 cm
Vitesse de marche avant	0-7.5 mph
Vitesse de marche arrière	0-3 mph
Plage de hauteur de coupe	3.81-11.4 cm
Niveau d'ajustement de hauteur de coupe	7 pcs
Vitesse à vide	2400/3000/3200 tr/min
Temps de chargement	4 h (avec chargeur 8 A)
Puissance de moteur	1.2 kW (moteur de lames)
	1.2 (moteur d'entraînement)
Compatibilité de pente MAXI.	15°
Nombre de lames (déflecteur /mulching)	2 pcs
Niveau de pression acoustique mesuré	$L_{pA} = 85.63 \text{ dB(A)}$, $K_{pA} = 3 \text{ dB(A)}$
Niveau de puissance acoustique mesuré	$L_{wA} = 98.61 \text{ dB(A)}$
Niveau de puissance acoustique garanti	$L_{wA,d} = 100 \text{ dB(A)}$
Vibration	Bras : $\leq 2.5 \text{ m/s}^2$, $K = 1.5 \text{ m/s}^2$
	Corps : $\leq 2.5 \text{ m/s}^2$, $K = 1.5 \text{ m/s}^2$

11 GARANTIE LIMITÉE

11.1 COUVERTURE DE CETTE GARANTIE

Cramer offre la garantie suivante à l'acquéreur initial ("Propriétaire") uniquement - la garantie est incessible :

A. Usage résidentiel : Le produit Cramer utilisé pour des fins résidentielles normales* est garanti pendant cinq (5) ans ou 1 500 heures d'usage totales (première occurrence) à compter de la date d'achat pièces et main-d'œuvre sur le châssis, le carter et les batteries. Les consommables comme les pneus et les lames bénéficient d'une garantie de trente (30) jours à compter de la date d'achat. Si, durant la période de garantie, le Propriétaire découvre un défaut de pièce ou de main-d'œuvre :

- Le Propriétaire doit notifier le défaut dans les meilleurs délais à Cramer ou à un revendeur agréé, par écrit, e-mail, appel téléphonique, via l'application ou en personne. En aucun cas ladite notification ne saurait être reçue par Cramer ou un revendeur agréé plus de cinq (5) ans après la date d'achat.
- Dans un délai raisonnable après ladite notification et après vérification que le défaut est couvert par la garantie : Cramer corrige tout défaut de pièces ou de main-d'œuvre sur le produit Cramer par réparation ou remplacement des pièces, à son gré, avec des pièces de rechange neuves ou usagées.
- Ces réparations, notamment les pièces et la main-d'œuvre, sont à la charge de Cramer mais uniquement dans le cas du Propriétaire initial.

B. Usage commercial : Le produit Cramer utilisé pour des fins résidentielles commerciales et institutionnelles* est garanti pendant cinq (5) ans ou 1 500 heures d'usage totales (première occurrence) à compter de la date d'achat pièces et main-d'œuvre sur le châssis, le carter et les batteries. Les consommables (notamment les pneus et les lames) bénéficient d'une garantie de trente (30) jours à compter de la date d'achat. Si, durant la période de garantie, le Propriétaire découvre un défaut de pièce ou de main-d'œuvre :

- Le Propriétaire doit notifier le défaut dans les meilleurs délais à Cramer ou à un revendeur agréé, par écrit, e-mail, appel téléphonique, via l'application ou en personne. En aucun cas ladite notification ne saurait être reçue par Cramer ou un revendeur agréé plus de cinq (5) ans après la date d'achat.
- Dans un délai raisonnable après ladite notification et après vérification que le défaut est couvert par la garantie : Cramer corrige tout défaut de pièces ou de main-d'œuvre sur le produit Cramer par réparation ou remplacement des pièces, à son gré, avec des pièces de rechange neuves ou usagées.
- Ces réparations, notamment les pièces et la main-d'œuvre, sont à la charge de Cramer mais uniquement dans le cas du Propriétaire (commercial) initial.

i REMARQUE

Un défaut d'entretien correct des batteries et de maintien d'une charge complète réduit la vie utile des batteries et annule leur garantie. Les dispositions de cette garantie limitée ne concernent pas les défaillances imputables à :

- Abus ou négligence comme un dégât des eaux, un câble desserré ou une visserie rouillée ou corrodée.
- Défaut de maintenance appropriée, dommages causés par une installation inappropriée de la batterie, négligence, casse, exposition à des conditions de température extrêmes notamment le gel, des températures élevées, la proximité avec des sources de chaleur comme les chauffages ou le feu, l'exposition à l'eau ou autres substances, les décombres, le fonctionnement de la batterie en état de décharge ou de surcharge.
- Une batterie chargée par des systèmes autres que le chargeur de batterie du type d'équipement d'origine.

Note de bas de page : *** Fins résidentielles normales" signifie ici l'usage du Produit à l'endroit de votre domicile. L'usage à plusieurs endroits est considéré comme un usage commercial et c'est alors la garantie en cas d'usage commercial qui s'applique.*

11.2 EXÉCUTION DE L'ENTRETIEN SOUS GARANTIE

Tout entretien sous garantie doit être effectué par un revendeur agréé Cramer ou un technicien d'entretien agréé Cramer. Les frais de transport ou appels d'entretien pour le produit de et vers le revendeur agréé pour les travaux sous garantie sont à la charge du propriétaire du produit. Pour l'entretien sous garantie, contactez un revendeur agréé.

11.3 EXCLUSIONS DE CETTE GARANTIE

Cramer n'assume pas de garantie dans les cas suivants :

- Réparations par des personnes sans agrément.
- Dommages causés par un usage du produit Cramer à des fins autres que celles pour lesquelles il a été conçu.
- Dommages causés par des désastres comme les incendies, les inondations, le vent et la foudre.
- Dommages causés par la négligence, l'abus, l'usage anormal, l'usage inapproprié ou déraisonnable, un accident, la négligence ou un usage impropre comme des dégâts des eaux.
- Réparations ou remplacement résultant de l'usage de pièces ou accessoires sans autorisation.
- Réparations ou remplacement résultant de toute altération ou modification, déterminé par Cramer, amoindissant le fonctionnement, les performances ou la durabilité de l'équipement.
- Produits, composants ou pièces non fabriqués par Cramer.
- Produits dont l'identification a été altérée, notamment un numéro de série retiré ou rendu illisible.
- Dépréciation ou dommage causé par l'usure normale, un défaut de maintenance raisonnable et appropriée, un défaut de respect des instructions de fonctionnement, de maintenance et d'ajustement du manuel du propriétaire du produit ou d'autres instructions fournies par Cramer.
- Pièces d'entretien et de maintenance normales, notamment lubrifiants, pièces de mise au point, lames, affûtage de lame, roulements, freins ou direction.
- Produits dont la programmation n'est pas agréée pour ledit produit, notamment altération de paramètres, programmation ou ajustements post-vente ou toute modification des composants, de l'électronique ou du logiciel.

11.4 EXONÉRATION DE GARANTIE

Ces garanties remplacent toutes les autres garanties, explicites ou implicites, notamment les garanties implicites de qualité marchande et d'adaptation à une finalité particulière. Cependant, si le Produit Cramer est acquis sous forme de produit grand public, toute garantie implicite de qualité marchande et d'adaptation à une finalité particulière est limitée à la durée de cette garantie limitée. Certains États réfutent les limitations de durée d'une garantie implicite. Ladite limitation peut donc ne pas vous être opposable. Cette garantie vous confère des droits juridiques spécifiques et vous pouvez disposer également d'autres droits, variables selon l'État.

11.5 LIMITATION DES RECOURS

Cramer n'est en aucun cas responsable envers les dommages spéciaux, incidents ou conséquents reposant sur un manquement à la garantie, une rupture de contrat, une négligence, la responsabilité délictuelle stricte et toute autre théorie juridique. Ces dommages incluent notamment :

- Perte de profits
- Perte d'économies ou de revenus
- Perte d'usage du Produit Cramer ou de tout équipement associé
- Coûts en capital
- Coûts de tout équipement de substitution, installation, service ou temps d'arrêt
- Les réclamations de tiers, notamment les clients, et dégâts des biens

11.6 LIMITE TEMPORELLE

Sauf si la législation d'État le détermine autrement :

Toute action en manquement à la garantie doit débiter dans les cinq (5) ans ou soixante (60) mois de la date d'achat pour une application résidentielle ou commerciale.

Si la date de fabrication dépasse une plage de temps raisonnable avant l'achat du premier consommateur, la garantie de Cramer peut être sujette à des limitations additionnelles.

11.7 AUCUNE AUTRE GARANTIE

Cet accord est entendu comme l'accord complet et exclusif entre les parties, s'imposant à tous les accords préalables, oraux ou écrits, et à toutes les autres communications entre les parties relatives au sujet de cet accord.

11.8 RESPONSABILITÉ DU PROPRIÉTAIRE

Vous devez préserver votre Produit Cramer selon les procédures de maintenance décrites dans votre manuel du propriétaire. Cette maintenance de routine, exécutée par vous ou un revendeur, est à votre charge.

Comme tous les autres équipements à alimentation électrique, cette machine est potentiellement dangereuse si elle n'est pas utilisée correctement. Tout opérateur doit être prudent et avoir systématiquement la sécurité à l'esprit. Avant d'utiliser le Produit Cramer, tout opérateur doit soigneusement se familiariser avec le manuel du propriétaire relatif au fonctionnement et à la sécurité de la machine mais aussi avec les avertissements de sécurité sur la machine elle-même.

11.9 ASSIGNATION DES RISQUES

Cet accord assigne les risques de défaillance du produit entre Cramer et le Propriétaire. Cette assignation est reconnue par les deux parties et reflétée dans le prix des marchandises.

11.10 ENREGISTREMENT DE LA GARANTIE

Sauf si la législation d'État le détermine autrement :

1. Les propriétaires doivent enregistrer l'unité auprès de Cramer dans les dix (10) jours suivant la date d'achat.
2. L'enregistrement peut être effectué en renseignant le Formulaire d'enregistrement de la garantie qui est fourni dans le manuel opérateur.
3. L'enregistrement peut être effectué également en utilisant les formulaires en ligne sur cramertools.com ou avec l'application et en fournissant une preuve d'achat (reçu comportant la date d'achat).

12 DÉCLARATION DE CONFORMITÉ CE

Nom et adresse du fabricant :

Nom : Greenworks Tools Europe GmbH
Adresse : Brunnenweg 17, 64331 Weiterstadt, Allemagne

Nom et adresse de la personne autorisée à compiler le dossier technique :

Nom : Ralf Pankalla
Adresse : Brunnenweg 17, 64331 Weiterstadt, Allemagne

Nous déclarons ici que le produit

Catégorie : Tondeuse zéro virage
Modèle : 82ZT107
Numéro de série : Voir étiquette de caractéristiques du produit
Année de construction : Voir étiquette de caractéristiques du produit

- est en conformité avec les dispositions pertinentes de la Directive Machine 2006/42/CE.
- est en conformité avec les dispositions des autres Directives CE suivantes :
 - 2014/30/UE
 - 2011/65/UE & 2015/863/UE

En outre, nous déclarons que les (parties /clauses de) normes européennes harmonisées suivantes ont été appliquées :

- EN 62841-1, EN ISO 5395-1, EN ISO 5395-3, EN ISO 14982, IEC 62321-3-1, IEC 62321-4, IEC 62321-5, IEC 62321-6, IEC 62321-7-1, IEC 62321-7-2, IEC 62321-8

Lieu et date : 11.11.2022

Signature : Ted Qu, Directeur Qualité

Ted Qu

1	Descrição.....	159	7.5	Manutenção da bateria.....	178
1.1	Vista pormenorizada.....	159	7.6	Manutenção do filtro do compartimento da bateria.....	178
1.2	Painel de controlo.....	159	7.7	Reparação.....	178
2	Retirar a máquina da caixa.....	160	8	Transporte e armazenamento	180
3	Instalação.....	160	8.1	Transporte.....	180
3.1	Instalar o assento.....	160	8.2	Limpeza e armazenamento.....	180
3.2	Instale a tampa de adubar.....	160	9	Resolução de problemas.....	182
3.3	Instalação da alavanca de controlo da direção.....	160	10	Características técnicas.....	185
3.4	Manípulo de desvio de ponto-morto.....	161	11	Garantia limitada.....	185
3.5	Rodas anti-scalp.....	161	11.1	O que é abrangido por esta garantia.....	185
4	Instruções de funcionamento	161	11.2	Quem tem de efetuar o serviço ao abrigo da garantia.....	186
4.1	Antes da operação.....	161	11.3	O que não é abrangido por esta garantia.....	186
4.2	Operar a máquina.....	163	11.4	Cláusula de desresponsabilização da garantia.....	187
5	Sistema elétrico.....	168	11.5	Limitação de indemnização.....	187
5.1	Segurança do sistema elétrico.....	168	11.6	Limite de tempo.....	187
5.2	Informação do sistema elétrico.....	169	11.7	Sem garantias adicionais.....	187
5.3	Ecrã digital.....	169	11.8	Responsabilidade do proprietário.....	187
6	Erros.....	169	11.9	Distribuição dos riscos.....	187
6.1	Código de erro.....	170	11.10	Registo da garantia.....	187
7	Manutenção.....	176	12	Declaração de Conformidade	188
7.1	Manutenção da lâmina do trator corta- relva.....	176	CE.....	188	
7.2	Pneus.....	177			
7.3	Lubrificação.....	177			
7.4	Valores de binário.....	178			

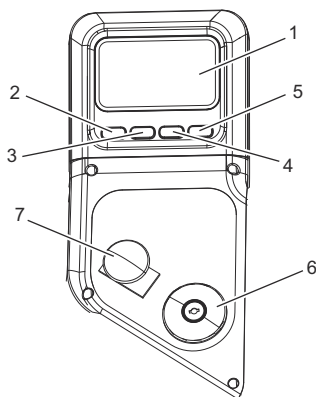
1 DESCRIÇÃO

1.1 VISTA PORMENORIZADA

Consulte a folha de imagens em separado 1-19

- | | |
|---|-----------------------------------|
| 1 Alavancas de controlo da direção | 20 Número de série |
| 2 Alavanca de ajuste do assento | 21 Código de emparelhamento |
| 3 Luz | 22 Código QR |
| 4 Rodas dianteiras | 23 Compartimento da bateria |
| 5 Saída de descarga | 24 Bateria |
| 6 Rodas condutoras | 25 Botão de libertação da bateria |
| 7 Painel de controlo | 26 DESLIGAR |
| 8 Porta USB | 27 LIGAR |
| 9 Suporte para copo | 28 Orifício da chave de ignição |
| 10 Plataforma | 29 Parafuso |
| 11 Rodas anti-scalp | 30 Anilha |
| 12 Alavanca de ajuste da altura da plataforma | 31 Lâmina |
| 13 Painel do assento | 32 Mangueira de jardim |
| 14 Ficha do assento | 33 Acoplador rápido |
| 15 Tampa de adubar | 34 Porta de lavagem |
| 16 Anel de rolamento | 35 Saída de drenagem do óleo |
| 17 Grampos de fixação | 36 Vareta do óleo |
| 18 Haste de montagem | |
| 19 Manipulo de desvio de ponto-morto | |

1.2 PAINEL DE CONTROLO



Nº	Nome	Função
1	Ecrã digital	Este ecrã apresenta informação importante do sistema elétrico. Consulte a secção elétrica para obter a informação completa.
2	Controlador de velocidade	Ajustar a velocidade da lâmina (cíclica) quando se encontra no ecrã inicial. Premir o botão para regressar à página anterior.
3	Navegação no menu / Página para cima	Voltar à última página visualizada no ecrã digital. Regressar ao ecrã inicial.
4	Interruptor da lâmpada / Página para baixo	Ligar/desligar as lâmpadas quando se encontra no ecrã inicial. Avançar para a página seguinte no ecrã digital.
5	Controlo da velocidade de condução / Confirmar	Ajustar a velocidade de condução (cíclica) quando se encontra no ecrã inicial. Premir o botão para confirmar.
6	Interruptor da alimentação	O interruptor é utilizado para ligar e desligar o trator corta-relva.
7	Interruptor de ligar/desligar as lâminas da plataforma (PTO)	Este interruptor ativa os motores das lâminas. Puxe o interruptor para cima para ativar, e pressione para baixo para libertar os motores.

i IMPORTANTE

Nunca ative os motores das lâminas com a plataforma sob carga. Poderão ocorrer danos nos motores ou na plataforma.

2 RETIRAR A MÁQUINA DA CAIXA

▲ AVISO

Certifique-se de que monta corretamente a máquina antes da utilização.

▲ AVISO

- Se houver peças danificadas, não use a máquina.
- Se houver peças em falta, não utilize a máquina.
- Se houver peças danificadas ou em falta, contacte o centro de reparação.

1. Abra a caixa.
2. Leia a documentação fornecida na caixa.
3. Retire todas as peças desmontadas da caixa.
4. Retire a máquina da caixa.
5. Elimine a caixa e o material de empacotamento de acordo com as normas locais.

▲ AVISO

Para sua segurança pessoal, não insira a bateria antes de ter montado a ferramenta por completo.

3 INSTALAÇÃO

3.1 INSTALAR O ASSENTO

Consulte a imagem 3

1. Coloque o conjunto do assento sobre o painel do assento e alinhe os orifícios conforme apresentado.
2. Instale os parafusos, anilhas e porcas, e aperte bem.
3. Coloque as mangas nas porcas.
4. Certifique-se de que ficam bem colocados.
5. Ligue a ficha do assento à máquina.

3.2 INSTALE A TAMPA DE ADUBAR

Consulte a imagem 4

O trator corta-relva é fornecido configurado para descarga lateral. Se pretender adubar:

1. Coloque a tampa de adubar na aba da estrutura do trator corta-relva.
2. Alinhe os orifícios da tampa de adubar com os orifícios existentes na estrutura do trator corta-relva.
3. Coloque e aperte os parafusos, os grampos de fixação e o anel de rolamento como ilustrado.

3.3 INSTALAÇÃO DA ALAVANCA DE CONTROLO DA DIREÇÃO

Consulte a imagem 5-6

▲ AVISO

As alavancas de controlo de direção para a esquerda e para a direita devem ser ajustadas de modo a ficarem alinhadas uma com a outra quando estiver em ponto-morto. NUNCA coloque as alavancas de controlo da direção a uma altura de funcionamento assimétrica.

1. Levante uma das alavancas de controlo da direção para alinhar os orifícios da alavanca com os orifícios correspondentes na haste de montagem.
2. Selecione a altura de funcionamento pretendida para a alavanca de controlo da direção. Insira o parafuso, juntamente com a anilha, no orifício.
3. Utilize a chave (13*16 mm) para prender a alavanca de controlo da direção.

4. Monte a outra alavanca de controlo da direção da mesma forma.

▲ CUIDADO

Não instale a alavanca de controlo da direção ao contrário.

3.3.1 ALAVANCAS DE CONTROLO DA DIREÇÃO

As duas alavancas controlam a velocidade, direção, paragem, bloqueio do ponto-morto e travão de estacionamento. As alavancas podem ser usadas para conduzir, acelerar, desacelerar, parar e mudar de direção. Quando as alavancas de controlo estão na posição de travão de estacionamento, o trator corta-relva não se move.

i NOTA

Utilize sempre as duas mãos para conduzir. Não conduza apenas com uma mão.

3.3.2 UTILIZAR A APLICAÇÃO

Consulte a imagem 9-10

1. Visite o website da Fleet Management: fleet.cramertools.com
2. Crie uma conta e inicie sessão.
3. Convide outros utilizadores na sua organização.
4. Leia o código QR, transfira a aplicação e inicie sessão.
5. Adicione um dispositivo. Encontre o número de série, o código de emparelhamento e o código QR na etiqueta de correspondência do veículo neste manual. Leia o código QR ou introduza-o manualmente.

3.4 MANÍPULO DE DESVIO DE PONTO-MORTO

Consulte a imagem 7-8

1. Coloque os manípulos de desvio de ponto-morto para fora e depois para baixo para desbloquear a roda.
2. Mova os manípulos de desvio de ponto-morto novamente para a posição inicial para bloquear as rodas.

▲ AVISO

Nunca conduza o trator corta-relva com o manípulo de desvio de ponto-morto ativado. Instale sempre o manípulo de desvio de ponto-morto na posição original antes da condução! Não voltar a colocar o manípulo no local pode causar danos sérios no trator corta-relva e anular a garantia!

▲ AVISO

Nunca desbloqueie o manípulo de desvio de ponto-morto quando a máquina estiver a trabalhar numa encosta!

3.5 RODAS ANTI-SCALP

Consulte a imagem 2

Os conjuntos de rodas anti-scalp são padrão em unidades Cramer. Estas rodas anti-scalp foram criadas para minimizar o escarpelamento quando cortar em terreno áspero e desnivelado. Após definir a altura de corte, ajuste as rodas anti-scalp de modo a estenderem-se por baixo da plataforma, mas sem entrarem em contacto com o chão. Estas deverão estar sempre a, pelo menos, 0,6 cm a 1,9 cm abaixo da plataforma. Com a unidade numa superfície plana e nivelada, a posição da roda pode ser ajustada para cima ou para baixo, conforme necessário, de 0,6 cm a 1,9 cm abaixo da superfície da lâmina. Mova as rodas para cima ou para baixo, usando os diferentes orifícios de montagem do eixo no suporte de fixação da roda (se aplicável no modelo).

4 INSTRUÇÕES DE FUNCIONAMENTO

4.1 ANTES DA OPERAÇÃO

4.1.1 AJUSTAR O ASSENTO

Consulte a imagem 11

▲ AVISO

Certifique-se de que o painel do assento está firmemente aparafusado antes de cada utilização, para evitar que este se mova/incline caso o trator corta-relva tombe ou capote.

1. Empurre as alavancas de controlo da direção para fora para a posição de TRAVÃO DE ESTACIONAMENTO antes de ajustar o assento.
2. Sente-se no assento e levante a alavanca de ajuste do assento.
3. Enquanto segura na alavanca, empurre o assento para a posição pretendida.
4. Solte a alavanca e certifique-se de que o assento está bloqueado na posição correta antes de utilizar o trator corta-relva.

▲ AVISO

Certifique-se de que o assento está bloqueado em posição antes de utilizar o trator corta-relva. Um assento que não está seguro pode fazer com que o operador mude de posição e perca o controlo do trator corta-relva, resultando em possível morte ou ferimentos pessoais graves.

4.1.2 AJUSTAR A ALTURA DE CORTE DA PLATAFORMA

Consulte a imagem 12

Antes de usar o trator corta-relva, aumente a altura da plataforma para a posição que for mais adequada para a sua relva.

A altura da plataforma é ajustada a partir de 3.81-11.4 cm. A plataforma deverá ser subida enquanto corta a relva, para evitar troncos, rochas e outros obstáculos que possam danificar a plataforma do trator corta-relva.

▲ CUIDADO

Segure firmemente na alavanca de ajuste da altura da plataforma durante o ajuste da altura da plataforma e liberte-a apenas quando estiver firmemente na ranhura pretendida. Soltar rapidamente a alavanca poderá criar um risco de beliscão ou puxão da mão do operador.

1. Pare o trator corta-relva e desative as lâminas.
2. Rode a chave para a posição de DESLIGAR e ative o travão de estacionamento.
3. Para subir a plataforma de corte, segure a alavanca de ajuste da altura da plataforma, empurre para a esquerda para soltá-la da ranhura, desloque-a na direção da parte de trás do trator corta-relva, e empurre para a direita para fixá-la na ranhura.
4. Para descer a plataforma de corte, segure a alavanca de ajuste da altura da plataforma, empurre para a esquerda para soltá-la da ranhura, desloque-a na direção da parte dianteira do trator corta-relva, e empurre para a direita para fixá-la na ranhura.

4.1.3 AJUSTE A ALAVANCA DE CONTROLO DA DIREÇÃO

As alavancas de controlo da direção podem ser ajustadas para conforto do operador. Ao despertar os parafusos que fixam a alavanca de controlo superior para o nível inferior, a alavanca de controlo superior pode ser oscilada para se adequar às preferências pessoais do operador. As alavancas de controlo da direção deverão ser ajustadas de modo a ficarem alinhadas uma com a outra quando estiver em ponto-morto.

4.1.4 INSTALAR A BATERIA

Consulte a imagem 13

Para verificar se as baterias do trator corta-relva estão totalmente carregadas, verifique o indicador de nível da bateria. Consulte mais detalhes no manual da bateria.

1. Levante o painel do assento.
2. Levante a tampa do compartimento da bateria.
3. Instale as baterias no compartimento da bateria.

▲ AVISO

Alinhe as nervuras da bateria com a porta da bateria. Certifique-se de que a bateria encaixa sem problemas no compartimento da bateria.

4.1.5 ANTES DE UTILIZAR A MÁQUINA

- Certifique-se de que na área não se encontram crianças, adultos e animais.
- Limpe a área de objetos que possam ser arremessados pelas lâminas do trator corta-relva.
- Verifique o funcionamento dos travões.
- Verifique a pressão dos pneus.
- Verifique se existem fixadores soltos.
- Verifique se todas as proteções estão no lugar e a funcionar corretamente.
- Limpe os resíduos do trator corta-relva.
- Teste o sistema de bloqueio de segurança.
- Ajuste o assento para a posição desejada.
- Verifique o nível de carga da bateria.

4.1.6 SISTEMA DE BLOQUEIO DE ARRANQUE DE SEGURANÇA

A máquina está equipada com um sistema de bloqueio de arranque de segurança que é composto pelos interruptores do travão de estacionamento, o interruptor de presença do operador e o interruptor de ligar/desligar das lâminas da plataforma.

O sistema de bloqueio de arranque de segurança do trator corta-relva também foi concebido para proteger o operador e outros contra ferimentos acidentais devido ao arranque não intencional do sistema de tração.

Verifique diariamente o sistema de bloqueio de arranque de segurança do trator corta-relva antes de o utilizar. Este sistema é uma funcionalidade de segurança importante do trator corta-relva. Deve ser reparado imediatamente se não funcionar corretamente. A máquina inclui um interruptor de presença do operador separado que irá parar o sistema de condução e os motores da plataforma quando, por qualquer motivo, o operador não estiver no lugar durante o funcionamento do trator corta-relva. Esta é uma funcionalidade de segurança concebida para evitar a deslocação da máquina sem condutor ou enredamento acidental.

▲ AVISO

O sistema de bloqueio de segurança não pode ser desligado nem anulado. Se o fizer, a máquina pode começar a funcionar inesperadamente, dando origem a ferimentos.

Para inspecionar o sistema:

1. O operador deve estar sentado no assento ao testar o interruptor de presença do operador.
2. Rode a chave para ligar a máquina.
3. Puxe as alavancas de controlo da direção na direção das ranhuras de estacionamento.
4. Puxe o interruptor PTO para cima para ligar o motor.
5. Levante-se lentamente do assento. O sistema das lâminas da plataforma deve parar.
6. Se o sistema das lâminas da plataforma não parar quando o operador estiver fora do assento e se a causa não puder ser determinada, contacte imediatamente o seu revendedor Cramer.

4.2 OPERAR A MÁQUINA

4.2.1 LIGAR A MÁQUINA

Consulte a imagem 14

i NOTA

Afaste as pessoas da área antes de utilizar o trator corta-relva. Se alguém entrar na área de corte, pare imediatamente e não volte a cortar a relva até que saia da área.

1. Eleve a plataforma do trator corta-relva até à posição mais elevada.
2. Introduza a chave de ignição e rode para a posição de ligar.
3. Puxe as alavancas de controlo da direção direita e esquerda para dentro.

4. Puxe o interruptor PTO da plataforma para cima para ligar as lâminas de corte para cortar a relva.

i NOTA

Ative as lâminas apenas quando as alavancas de controlo da direção estiverem na posição de PONTO-MORTO! NUNCA ative as lâminas durante o movimento!

5. Coloque as alavancas de controlo da direção na posição de avanço (D) e conduza a máquina até ao local onde pretende cortar a relva.

i NOTA

Tenha cuidado ao atravessar caminhos de gravilha ou vias de circulação. Antes de atravessar, desative as lâminas e levante a plataforma de corte para a posição mais elevada para minimizar a possibilidade de ressalto. Conduza lentamente para evitar a perda de tração e controlo.

i NOTA

Não tente alterar a direção de funcionamento enquanto o trator corta-relva estiver em movimento. Pare sempre completamente antes de mudar a direção do trator corta-relva.

i NOTA

As alavancas de controlo da direção regressam à posição de ponto-morto se as libertar, mas ainda é necessário controlá-las manualmente para alcançar a posição de ponto-morto.

4.2.2 CONDUZIR A MÁQUINA

Após ativar o sistema de condução com tração, ative as alavancas de controlo da direção e conduza do seguinte modo:

▲ AVISO

Tenha sempre em conta o que está atrás da máquina antes de fazer marcha-atrás. Não corte relva em marcha-atrás, exceto se for absolutamente necessário. Olhe sempre para baixo e para trás antes e durante a marcha-atrás.

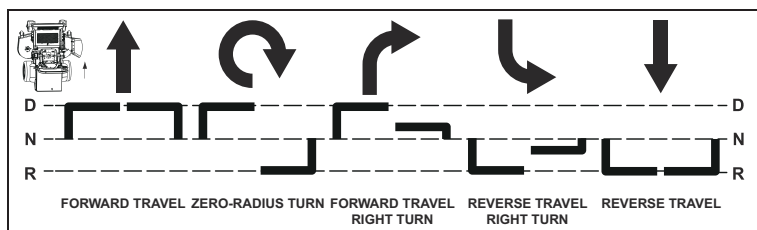
▲ AVISO

Um movimento rápido das alavancas de controlo da direção não é recomendado, pois pode ocorrer um dano nos componentes do sistema elétrico.

- **Para avançar**, empurre as alavancas de controlo da direção para a frente a uma distância igual.
- **Para deslocar em marcha-atrás**, puxe as alavancas de controlo da direção para trás numa distância igual.
- **Para virar à esquerda**, desloque a alavanca de controlo da direção direita mais para a frente do ponto-morto do que a alavanca de controlo da direção esquerda.
- **Para virar à direita**, desloque a alavanca de controlo da direção esquerda mais para a frente do ponto-morto do que a alavanca de controlo da direção direita.
- **Para executar uma curva de raio zero**, desloque uma alavanca de controlo da direção para a frente e a outra alavanca de controlo da direção para trás. Isto permite às rodas condutoras efetuar um movimento rotativo geral.
- **Para parar ou diminuir a velocidade**, mova as alavancas de controlo da direção para ponto-morto. Quando avançar, puxe gentilmente as alavancas de controlo da direção para trás. Durante a deslocação em marcha-atrás, empurre cuidadosamente as alavancas de controlo da direção para a frente.
- **Para uma paragem de emergência**, existem dois métodos que podem ser utilizados:
 - Quando avançar ou retroceder, coloque as alavancas de controlo da direção imediatamente na posição de travão de estacionamento. Quando fizer marcha-atrás, pressione gentilmente as alavancas de controlo da direção para a frente e evite um movimento súbito. Um movimento súbito pode fazer com que a parte da frente do trator corta-relva perca o contacto com o solo, dando origem a uma possível perda de controlo, podendo causar ferimentos graves ou morte.
 - Rode a chave de ignição para a posição de desligar. Isto desliga o sistema de tração e o sistema da plataforma.

- **Para fazer uma curva de três pontos para a direita**, mova a alavanca esquerda de controlo da direção mais para a frente do ponto-morto do que a alavanca de controlo da direção direita e inicie a curva. De seguida, puxe as alavancas de controlo da direção para trás até passarem o ponto-morto, e a máquina começa a andar para trás. Puxe a alavanca direita de controlo da direção mais para trás do que a alavanca esquerda de controlo da direção, até que a extremidade da máquina gire. De seguida, pressione as alavancas de controlo da direção para a frente até passarem o ponto-morto, e a máquina começa a andar para a frente. Empurre a alavanca esquerda de controlo da direção mais para a frente do ponto-morto do que a alavanca direita de controlo da direção, e termine a curva.
- **Para aumentar a velocidade**, aumente a distância da alavanca de controlo da direção em relação ao ponto-morto. Quanto mais afastadas para a frente estiverem as alavancas de controlo da direção da posição de ponto-morto, mais depressa a máquina avança. Quanto mais afastadas para trás estiverem as alavancas de controlo da direção da posição de ponto-morto, mais depressa a máquina retrocede.

A PARTE DIANTEIRA DO TRATOR CORTA-RELVA ESTÁ VOLTADA PARA ESTA DIREÇÃO



N= POSIÇÃO DE PONTO-MORTO D= POSIÇÃO DE CONDUÇÃO R= POSIÇÃO DE MARCHA-ATRÁS

A direção das setas indica a direção do movimento do trator corta-relva



Alavanca de controlo da direção esquerda

Alavanca de controlo da direção direita

4.2.3 PARAR A MÁQUINA

▲ PERIGO

Nunca faça paragens repentinas nem mude para marcha-atrás, especialmente quando efetuar manobras numa encosta. A direção foi criada para uma resposta sensível. O movimento rápido das alavancas de controlo da direção em qualquer direção pode dar origem a uma reação da máquina que pode causar ferimentos sérios.

1. Volte a colocar as alavancas de controlo da direção na posição de ponto-morto. Empurre as alavancas de controlo da direção para fora para a posição de travão de estacionamento.
2. Pressione o botão de ligar/desligar as lâminas da plataforma (PTO) para desligar as lâminas.
3. Rode a chave no interruptor da alimentação para a posição de desligar.

▲ CUIDADO

Recomendamos que retire a chave de ignição da máquina para evitar o arranque acidental da mesma.

4.2.4 UTILIZAR A PORTA USB

Consulte a imagem 15

A porta de carregamento USB fornece uma potência de carregamento de 5 Volts CC a até 2,1 amperes para o seu telemóvel, leitor de MP3 ou outros dispositivos USB. Consulte o manual do utilizador do seu dispositivo para obter informações sobre os requisitos de carregamento específicos.

Ligue uma extremidade de um cabo USB (não fornecido) ao seu dispositivo e a outra extremidade à porta de carregamento USB do trator corta-relva, para começar a carregar o dispositivo.

Português

i NOTA

A tentativa de carregar dispositivos com uma classificação superior a 2,1 amperes pode danificar a porta de carregamento USB e/ou o trator corta-relva.

i NOTA

A porta USB só tem corrente elétrica quando a máquina está ligada.

▲ AVISO

Nunca utilize auscultadores ou qualquer dispositivo eletrónico, como um smartphone ou tablet, durante a utilização do trator corta-relva. A distração durante a utilização pode resultar num acidente que pode provocar morte ou ferimentos pessoais graves ao operador ou a outras pessoas que se encontrem no local.

4.2.5 SUGESTÕES DE FUNCIONAMENTO

▲ PERIGO

Antes da operação, o operador deve familiarizar-se por completo com a utilização adequada e funcionamento do equipamento, ler o manual por completo, e deverá tentar fazer manobras lentas para se familiarizar com o funcionamento do equipamento antes de tentar utilizá-lo à velocidade normal. Um operador sem experiência não deverá cortar a relva em encostas ou terreno desnivelado.

▲ AVISO

Se perder o controlo da direção enquanto utiliza a máquina, coloque imediatamente as alavancas de controlo da direção na posição do travão de estacionamento e rode a chave para a posição de desligar. Inspeccione a máquina e consulte o seu revendedor Cramer para resolver o problema antes de continuar a utilizá-la.

▲ AVISO

As alavancas de controlo da direção respondem muito facilmente. Para uma operação tranquila, mova as alavancas lentamente, evitando movimentos repentinos. Técnica e facilidade de utilização são ganhas com a prática e experiência. A máquina pode girar muito rapidamente. Tenha cuidado quando curvar, e abrande antes de curvas apertadas.

Operadores inexperientes podem ter a tendência de virar excessivamente e perder o controlo. Recomendamos manobras de treino em velocidade lenta para se familiarizar com estas características antes de tentar uma utilização com a velocidade normal.

▲ AVISO

Não se aproxime diretamente de depressões grandes ou obstáculos altos (como sarjetas ou lancis) a grande velocidade numa tentativa de os "saltar", pois o operador pode ser lançado do equipamento. Aproxime-se a baixa velocidade e vire uma roda condutora na direção oposta à obstrução. Continue em ângulo até que a roda se afaste, e depois rode a roda oposta.

Quando virar em relva suave ou húmida, mantenha ambas as rodas em movimento, tanto para a frente como para trás. Rodar com uma roda parada pode danificar a relva. Mantenha as lâminas afiadas. Muitos problemas com padrões de corte incorretos devem-se a lâminas rombas ou que tenham sido afiadas incorretamente. Deverá verificar diariamente se as lâminas estão afiadas.

▲ PERIGO

Nunca trabalhe com as lâminas enquanto a chave estiver no interruptor da ignição. Coloque sempre o interruptor de ligar/desligar as lâminas (PTO) na posição de desativação, coloque as alavancas de controlo da direção na posição do travão de estacionamento, rode a chave para a posição de desligar e retire a chave do interruptor. Bloquee o trator corta-relva quando tiver de fazer trabalhos por baixo dele. Use luvas quando manusear as lâminas. Verifique sempre se a lâmina sofreu danos, caso o trator corta-relva bata contra uma rocha, ramo ou outro objeto estranho enquanto corta a relva.

- **Oriente a descarga da relva para a direita**, para longe da área não cortada. Selecione um padrão de corte que oriente a descarga da relva para fora da área de corte. Habitualmente, isto significa usar um padrão com curvas para a esquerda, pois a descarga lateral é do lado direito. De qualquer forma, evite descargas de relva para a área não cortada, pois assim, a relva seria cortada “duas vezes”. Cortar a relva duas vezes coloca uma carga desnecessária na unidade e reduz a eficiência de corte.
- **Quando cortar a relva pela primeira vez num relvado**, corte-a ligeiramente mais comprida do que o normal, para evitar escalpelamento em terreno desnivelado. Sempre que possível, é melhor usar a altura de corte usada anteriormente. Quando cortar relva com uma altura superior a 152 mm, poderá ser desejável cortar a relva duas vezes para obter uma melhor qualidade de corte.
- **Durante um corte normal**, corte apenas 38 mm da altura da relva. Cortar mais do que isso não é recomendado, a não ser que a relva seja escassa ou estiver no final da estação de corte.
- **Altere o padrão entre cortes** para que a relva a cresça direita e com uma melhor dispersão da relva cortada.
- **Lembre-se, a relva cresce a velocidades diferentes** em alturas diferentes do ano. Corte mais frequentemente no início da primavera, para manter a mesma altura de corte. À medida que a taxa de crescimento abranda a meio do verão, corte com menor frequência. Se não conseguir cortar a intervalos regulares, corte primeiro com uma altura de corte superior, depois corte de novo dois dias mais tarde com uma altura de corte mais baixa.
- **Aumente a altura de corte do trator corta-relva** se a largura de corte do trator corta-relva for superior à do trator corta-relva anterior. Isto garante que uma relva desnivelada não é cortada demasiado curta.
- **Aumente a altura de corte do trator corta-relva** se a relva for ligeiramente mais alta do que o normal, ou se tiver um elevado grau de humidade. Depois, corte de novo com a altura de corte mais baixa.
- **Se tiver de parar o movimento para a frente da máquina** enquanto corta a relva, pode cair um monte de restos de relva cortada no seu relvado. Para evitar isto, avance para uma área cortada anteriormente com as lâminas ativadas.
- **Carregue imediatamente a bateria** se a carga da bateria for inferior a 5%.

Modelo nº	Capacidade da bateria	Ação	Capacidade da bateria	Ação
82ZT107	≤5%	A velocidade máxima de condução será de 6.4 km/h.	≤5%	A lâmina pára automaticamente. A unidade deverá voltar imediatamente para a área de carregamento da bateria e ser ligada ao carregador da bateria.

- **Permita aos motores arrefecerem durante 30 minutos.** Se o motor condutor exceder a temperatura programada, a velocidade do motor diminui. Se a temperatura continuar a aumentar, o motor desliga-se a uma temperatura programada superior.

4.2.6 FUNCIONAMENTO EM ENCOSTAS

Consulte a imagem 16

As encostas são um fator importante relacionado com acidentes de perda de controlo e capotamento, que podem resultar em ferimentos graves ou morte. A utilização em todo o tipo de encostas requer atenção adicional. Se não for possível fazer marcha-atrás na encosta ou se sentir inseguro fazê-lo, não corte a relva na encosta.

- Desloque-se na direção recomendada pelo fabricante nas encostas. Tenha cuidado ao utilizar a máquina perto de fossos.
- Não utilize a máquina em qualquer situação em que a tração, direção ou estabilidade sejam um problema. Os pneus podem derrapar mesmo que as rodas estejam paradas.
- Mantenha sempre a máquina engrenada durante a descida de encostas. Não desça a encosta sem a máquina engrenada.
- Tenha muito cuidado durante a utilização da máquina em encostas.
- Não retire nem modifique as rodas.
- Evite buracos, raízes, montes, pedras ou outros objetos ocultos. Terreno desnivelado pode fazer a máquina virar. A relva comprida pode esconder objetos.
- Retire os obstáculos como rochas, ramos de árvores, lixo, etc.

- O movimento em encostas deverá ser lento e gradual. Não faça mudanças bruscas na velocidade ou direção.
- Evite arrancar e parar numa encosta. Se os pneus perderem tração, liberte as lâminas e desça lentamente e a direito a encosta.
- Corte a uma distância segura (no mínimo, 3 metros) de buracos, paredes, diques, aterros, água e outros tipos de perigos, para evitar que uma roda caia na extremidade e que faça o resto do terreno ceder. Isto reduz o risco de a máquina cair de repente, o que poderia dar origem a ferimentos sérios ou morte.
- Use um apoio traseiro, dispositivo de pressão ou uma roçadora portátil em encostas e perto de buracos, paredes, diques, aterros e água.
- Não corte a relva molhada. Uma redução na tração pode fazer o trator escorregar e perder o controle da direção.
- Não use o reboque em encostas. O peso do equipamento rebocado pode dar origem a perda de tração e de controle.
- Se os pneus do trator corta-relva perderem tração durante a deslocação em encostas, desative o sistema da plataforma, coloque as alavancas de controle da direção na posição do travão de estacionamento, rode a chave de ignição para a posição de desligar, retire a chave e solicite ajuda.
- Nunca faça paragens, arranques ou curvas repentinas nem inverta a direção, especialmente quando efetuar manobras numa encosta. A direção foi criada para uma resposta sensível. O movimento rápido das alavancas de controle da direção em qualquer direção pode dar origem a uma reação da máquina que pode causar ferimentos sérios.
- Nunca pare de repente enquanto descer encostas de marcha-atrás. Esta ação poderá dar origem a uma reação da máquina que pode causar ferimentos sérios.
- O trator corta-relva Cramer é capaz de funcionar horizontalmente (transversalmente) em encostas com inclinação moderada. Quando trabalhar em encostas até 15 graus, tenha cuidado com quaisquer condições que possam fazer com que os pneus do trator corta-relva percam tração, dando origem a uma possível perda de controle da máquina. Um operador não deve utilizar a máquina numa encosta até que esteja completamente familiarizado com o equipamento.

Não trabalhe em encostas com uma inclinação superior a 15 graus.

Consulte o guia de utilização em encostas para determinar o grau de inclinação do local onde vai trabalhar. Recomendamos fortemente que o operador saia da encosta com muito cuidado, caso detete alguma perda de tração. Espere até que as condições que causaram o problema sejam resolvidas antes de tentar voltar a trabalhar numa encosta. As condições do terreno podem afetar a tração, dando origem a uma possível perda de controle da máquina. Algumas das condições a tomar em consideração são:

1. Terreno molhado
2. Depressões no solo (por exemplo, buracos, sulcos, regos)
3. Montes de terra
4. Alguns tipos de solo (por exemplo, areia, terra solta, cascalho, argiloso)
5. Tipo, densidade e altura da relva
6. Condições extremamente secas
7. Pressão dos pneus

Os acessórios montados no trator corta-relva também afetam a forma como este se comporta numa encosta. Tenha em atenção que as características de cada acessório variam.

Estes são apenas alguns exemplos de situações em que se teve ter cuidado ao utilizar a máquina numa encosta. Há imensas outras possibilidades para que possam ser numeradas. Lembre-se de ter sempre muito cuidado quando trabalhar em encostas.

5 SISTEMA ELÉTRICO

5.1 SEGURANÇA DO SISTEMA ELÉTRICO

- Retire a chave e as baterias e leia o manual do utilizador antes de ajustar ou reparar a unidade.
- Retire sempre a chave e as baterias antes de trabalhar nesta unidade.
- Retire sempre a chave e as baterias quando transportar a unidade.
- Mantenha a unidade sem restos de relva cortada, folhas e outros resíduos. NÃO pulverize água para limpar a unidade. Use apenas ar comprimido. Use proteção auditiva e ocular adequada quando limpar a unidade.
- Use sempre óculos de segurança e equipamento de proteção perto da bateria. Use ferramentas isoladas.
- Limpe o compartimento da bateria, compartimento do motor condutor, plataforma do trator, assento, etc., de toda a sujidade e resíduos. Não utilize solventes, produtos de limpeza fortes ou abrasivos.

- Com a chave na posição de ligar, a lâmina do trator corta-relva pode ser ativada quando o interruptor de ligar/desligar as lâminas da plataforma (PTO) for ativado, mesmo quando o motor condutor não está a funcionar. Mantenha outras pessoas afastadas da área quando ativar o interruptor de ligar/desligar as lâminas da plataforma.
- Todas as áreas de manutenção e armazenamento deverão ser devidamente ventiladas, de acordo com os códigos de proteção contra incêndio aplicáveis e os decretos para evitar o perigo de incêndio.
- Nunca permita chamas, faíscas ou fumo perto da bateria.
- Mantenha as pilhas fora do alcance das crianças.
- Mantenha sempre as proteções e coberturas no lugar e bem apertadas. Se ficarem danificadas, repare-as ou substitua-as imediatamente. Nunca modifique nem retire os dispositivos de segurança.

5.2 INFORMAÇÃO DO SISTEMA ELÉTRICO

O trator corta-relva Cramer é alimentado por um sistema elétrico de 82 volts. É composto pelos seguintes componentes:

1. Controlador da lâmina (1)
2. Motor da lâmina (2)
3. Controlador de condução (1)
4. Acelerador - direito (1)
5. Acelerador - esquerdo (1)
6. Ecrã digital (1)
7. Motor da roda (2)
8. Baterias (1)

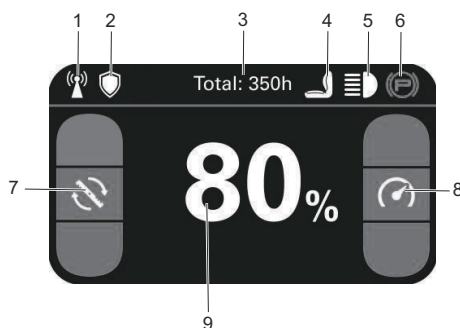
5.3 ECRÃ DIGITAL

A função do ecrã digital, localizado no painel de controlo, é fornecer informação do sistema elétrico ao operador. Oferece informação detalhada na forma de padrões, códigos e números.

6 ERROS

O sistema CANBUS tomará medidas para proteger o utilizador e a máquina quando detetar um problema. Quando este sistema desliga a máquina ou um componente, indicará que ocorreu um erro e esse erro será exibido no ecrã digital. Todos os erros elétricos apresentam um código com letras seguido de um número. A primeira letra descreve o sistema que causou o erro de acordo com este gráfico:

Nome	Significado
TR	Controlador de condução à direita e motor
TL	Controlador de condução à esquerda e motor
PMU	Unidade de gestão de energia (no compartimento da bateria)
ML	Controlador do motor da lâmina esquerda
MR	Controlador do motor da lâmina direita



Nº	Nome	Função
1		Sinal de GPS 4G
2		GreenShield
3	Total: 350 h	Tempo de funcionamento do veículo
4		O interruptor do assento está fechado.
5		Luzes LED
6		O travão de estacionamento está engatado.
7		Velocidade da lâmina
8		Velocidade de condução
9	80%	Percentagem da bateria

6.1 CÓDIGO DE ERRO

Código de erro	Descrição	Solução
TR1	Erro de posicionamento do motor	Reinicie a fonte de alimentação.
TR2	Motor condutor parado	Verifique se as rodas condutoras estão presas e volte a ligar a fonte de alimentação.
TR3	Proteção de baixa velocidade do motor	Reinicie a fonte de alimentação.
TR4	Proteção de velocidade excessiva do motor	Reinicie a fonte de alimentação.
TR5	Erro do sensor Hall do motor	Verifique se o conector de efeito Hall do controlador de condução está corretamente ligado e, de seguida, reinicie a fonte de alimentação.
TR6	Perda de fase do controlador	Verifique se os cabos do motor do controlador de condução estão corretamente ligados e, de seguida, reinicie a fonte de alimentação.
TR7	Erro de circuito aberto MOSFET	Se surgir este problema, contacte o seu distribuidor para obter uma solução.
TR8	Subtensão do controlador	A tensão é demasiado baixa. Carregue a bateria antes da utilização.
TR9	Sobretensão do controlador	A tensão é demasiado elevada. Reinicie a fonte de alimentação.
TR10	Temperatura baixa da bateria	A temperatura do compartimento da bateria e da bateria é demasiado baixa. Utilize a máquina a uma temperatura adequada e reinicie a fonte de alimentação.
TR11	Sobret temperatura da PMU Temperatura elevada da bateria	A temperatura do compartimento da bateria e da bateria é demasiado elevada. Aguarde até que a bateria arrefeça e, de seguida, reinicie a fonte de alimentação.
TR12	Sobret temperatura do motor	A temperatura do motor é demasiado elevada. Aguarde que o motor arrefeça e, de seguida, reinicie a fonte de alimentação.
TR13	Sobret temperatura do controlador	A temperatura do controlador é demasiado elevada. Aguarde que o controlador arrefeça e, de seguida, reinicie a fonte de alimentação.
TR14	Sobrecorrente do software	A carga é demasiado elevada. Reinicie a fonte de alimentação.
TR15	Sobrecorrente do hardware	A carga é demasiado elevada. Reinicie a fonte de alimentação.
TR16	Erro no controlador de velocidade	Verifique se a alavanca do controlador de velocidade está corretamente ligada e, de seguida, reinicie a fonte de alimentação.
TR17	Erro de pré-carregamento do controlador	Reinicie a fonte de alimentação.
TR18	Erro do travão	Reinicie a fonte de alimentação.
TR19	Erro de sequência de funcionamento	Coloque as alavancas esquerda e direita na posição de estacionamento e o interruptor de ativação das lâminas na posição de desligar. Sente-se no assento e tente novamente.
TR20	Erro no sensor de ângulo	Reinicie a fonte de alimentação.

Código de erro	Descrição	Solução
TR21	Erro de relé	Reinicie a fonte de alimentação.
TR22	Erro da válvula magnética	Verifique se a válvula solenoide do motor condutor está corretamente ligada e, de seguida, reinicie a fonte de alimentação.
TR23	Falha de comunicação do compartimento da bateria (PMU)	Falha de comunicação com o compartimento da bateria. Reinicie a fonte de alimentação.
TR24	Falha no compartimento da bateria (PMU)	Erro mínimo/grave no compartimento da bateria. Execute uma verificação e reinicie a fonte de alimentação.
TR25	Erro de tempo limite CAN - condução esquerda	Falha de comunicação com o controlador de condução esquerda. Reinicie a fonte de alimentação.
TR26	Erro de tempo limite CAN - condução direita	Falha de comunicação com o controlador de condução direita. Reinicie a fonte de alimentação.
TR27	Erro de tempo limite CAN - lâmina esquerda	Falha de comunicação com o controlador da lâmina esquerda. Reinicie a fonte de alimentação.
TR28	Erro de tempo limite CAN - lâmina central	Falha de comunicação com o controlador da lâmina central. Reinicie a fonte de alimentação.
TR29	Erro de tempo limite CAN - lâmina direita	Falha de comunicação com o controlador da lâmina direita. Reinicie a fonte de alimentação.
TR30	Erro na tampa rebatível do compartimento da bateria	Verifique se o conector sob o assento está corretamente ligado e, de seguida, reinicie a fonte de alimentação.
TR31	Erro de verificação do interruptor de presença do operador	Verifique se o conector sob o assento está corretamente ligado e, de seguida, reinicie a fonte de alimentação.
TR32	Erro de autenticação do software	Reinicie a fonte de alimentação.
TL1	Erro de posicionamento do motor	Reinicie a fonte de alimentação.
TL2	Motor condutor parado	Verifique se as rodas condutoras estão presas e volte a ligar a fonte de alimentação.
TL3	Proteção de baixa velocidade do motor	Reinicie a fonte de alimentação.
TL4	Proteção de velocidade excessiva do motor	Reinicie a fonte de alimentação.
TL5	Erro do sensor Hall do motor	Verifique se o conector de efeito Hall do controlador de condução está corretamente ligado e, de seguida, reinicie a fonte de alimentação.
TL6	Perda de fase do controlador	Verifique se os cabos do motor do controlador de condução estão corretamente ligados e, de seguida, reinicie a fonte de alimentação.
TL7	Erro de circuito aberto MOSFET	Se surgir este problema, contacte o seu distribuidor para obter uma solução.
TL8	Subtensão do controlador	A tensão é demasiado baixa. Carregue a bateria antes da utilização.
TL9	Sobretensão do controlador	A tensão é demasiado elevada. Reinicie a fonte de alimentação.
TL10	Temperatura baixa da bateria	A temperatura do compartimento da bateria e da bateria é demasiado baixa. Utilize a máquina a uma temperatura adequada e reinicie a fonte de alimentação.

Português

Código de erro	Descrição	Solução
TL11	Sobretensão da PMU Temperatura elevada da bateria	A temperatura do compartimento da bateria e da bateria é demasiado elevada. Aguarde até que a bateria arrefeça e, de seguida, reinicie a fonte de alimentação.
TL12	Sobretensão do motor	A temperatura do motor é demasiado elevada. Aguarde que o motor arrefeça e, de seguida, reinicie a fonte de alimentação.
TL13	Sobretensão do controlador	A temperatura do controlador é demasiado elevada. Aguarde que o controlador arrefeça e, de seguida, reinicie a fonte de alimentação.
TL14	Sobrecorrente do software	A carga é demasiado elevada. Reinicie a fonte de alimentação.
TL15	Sobrecorrente do hardware	A carga é demasiado elevada. Reinicie a fonte de alimentação.
TL16	Erro no controlador de velocidade	Verifique se a alavanca do controlador de velocidade está corretamente ligada e, de seguida, reinicie a fonte de alimentação.
TL17	Erro de pré-carregamento do controlador	Reinicie a fonte de alimentação.
TL18	Erro do travão	Reinicie a fonte de alimentação.
TL19	Erro de sequência de funcionamento	Coloque as alavancas esquerda e direita na posição de estacionamento e o interruptor de ativação das lâminas na posição de desligar. Sente-se no assento e tente novamente.
TL20	Erro no sensor de ângulo	Reinicie a fonte de alimentação.
TL21	Erro de relé	Reinicie a fonte de alimentação.
TL22	Erro da válvula magnética	Verifique se a válvula solenoide do motor condutor está corretamente ligada e, de seguida, reinicie a fonte de alimentação.
TL23	Falha de comunicação do compartimento da bateria (PMU)	Falha de comunicação com o compartimento da bateria. Reinicie a fonte de alimentação.
TL24	Falha no compartimento da bateria (PMU)	Erro mínimo/grave no compartimento da bateria. Execute uma verificação e reinicie a fonte de alimentação.
TL25	Erro de tempo limite CAN - condução esquerda	Falha de comunicação com o controlador de condução esquerda. Reinicie a fonte de alimentação.
TL26	Erro de tempo limite CAN - condução direita	Falha de comunicação com o controlador de condução direita. Reinicie a fonte de alimentação.
TL27	Erro de tempo limite CAN - lâmina esquerda	Falha de comunicação com o controlador da lâmina esquerda. Reinicie a fonte de alimentação.
TL28	Erro de tempo limite CAN - lâmina central	Falha de comunicação com o controlador da lâmina central. Reinicie a fonte de alimentação.
TL29	Erro de tempo limite CAN - lâmina direita	Falha de comunicação com o controlador da lâmina direita. Reinicie a fonte de alimentação.
TL30	Erro na tampa rebatível do compartimento da bateria	Verifique se o conector sob o assento está corretamente ligado e, de seguida, reinicie a fonte de alimentação.
TL31	Erro de verificação do interruptor do assento	Verifique se o conector sob o assento está corretamente ligado e, de seguida, reinicie a fonte de alimentação.
TL32	Erro de autenticação do software	Reinicie a fonte de alimentação.

Português

Código de erro	Descrição	Solução
ML1	Erro de posicionamento do motor	Reinicie a fonte de alimentação.
ML2	Motor da lâmina parado	Verifique a carga de corte e volte a colocar o interruptor de ativação das lâminas na sua posição inicial.
ML3	Proteção de baixa velocidade do motor	Reinicie a fonte de alimentação.
ML4	Proteção de velocidade excessiva do motor	Reinicie a fonte de alimentação.
ML5	Erro do sensor Hall do motor	Verifique se o conector de efeito Hall da lâmina está corretamente ligado e, de seguida, reinicie a fonte de alimentação.
ML6	Perda de fase do controlador	Verifique se os cabos do motor do controlador de condução estão corretamente ligados e, de seguida, reinicie a fonte de alimentação.
ML7	Erro de circuito aberto MOSFET	Se surgir este problema, contacte o seu distribuidor para obter uma solução.
ML8	Subtensão do controlador	A tensão é demasiado baixa. Carregue a bateria antes da utilização.
ML9	Sobretensão do controlador	A tensão é demasiado elevada. Reinicie a fonte de alimentação.
ML10	Temperatura baixa da bateria	A temperatura do compartimento da bateria e da bateria é demasiado baixa. Utilize a máquina a uma temperatura adequada e reinicie a fonte de alimentação.
ML11	Sobretensão da PMU Temperatura elevada da bateria	A temperatura do compartimento da bateria e da bateria é demasiado elevada. Aguarde até que a bateria arrefeça e, de seguida, reinicie a fonte de alimentação.
ML12	Sobretensão do motor	A temperatura do motor é demasiado elevada. Aguarde que o motor arrefeça e, de seguida, reinicie a fonte de alimentação.
ML13	Sobretensão do controlador	A temperatura do controlador é demasiado elevada. Aguarde que o controlador arrefeça e, de seguida, reinicie a fonte de alimentação.
ML14	Sobrecorrente do software	A carga é demasiado elevada. Reinicie a fonte de alimentação.
ML15	Sobrecorrente do hardware	A carga é demasiado elevada. Reinicie a fonte de alimentação.
ML16	Erro no controlador de velocidade	Verifique se a alavanca do controlador de velocidade está corretamente ligada e, de seguida, reinicie a fonte de alimentação.
ML17	Erro de pré-carregamento do controlador	Reinicie a fonte de alimentação.
ML18	Erro do travão	Reinicie a fonte de alimentação.
ML19	Erro de sequência de funcionamento	Coloque as alavancas esquerda e direita na posição de estacionamento e o interruptor de ativação das lâminas na posição de desligar. Sente-se no assento e tente novamente.
ML20	Erro no sensor de ângulo	Reinicie a fonte de alimentação.
ML21	Erro de relé	Reinicie a fonte de alimentação.

Português

Código de erro	Descrição	Solução
ML22	Erro da válvula magnética	Verifique se a válvula solenoide do motor está corretamente ligada e, de seguida, reinicie a fonte de alimentação.
ML23	Falha de comunicação do compartimento da bateria (PMU)	Falha de comunicação com o compartimento da bateria. Reinicie a fonte de alimentação.
ML24	Falha no compartimento da bateria (PMU)	Erro mínimo/grave no compartimento da bateria. Execute uma verificação e reinicie a fonte de alimentação.
ML25	Erro de tempo limite CAN - condução esquerda	Falha de comunicação com o controlador de condução esquerda. Reinicie a fonte de alimentação.
ML26	Erro de tempo limite CAN - condução direita	Falha de comunicação com o controlador de condução direita. Reinicie a fonte de alimentação.
ML27	Erro de tempo limite CAN - lâmina esquerda	Falha de comunicação com o controlador da lâmina esquerda. Reinicie a fonte de alimentação.
ML28	Erro de tempo limite CAN - lâmina central	Falha de comunicação com o controlador da lâmina central. Reinicie a fonte de alimentação.
ML29	Erro de tempo limite CAN - lâmina direita	Falha de comunicação com o controlador da lâmina direita. Reinicie a fonte de alimentação.
ML30	Erro na tampa rebatível do compartimento da bateria	Verifique se o conector sob o assento está corretamente ligado e, de seguida, reinicie a fonte de alimentação.
ML31	Falha ao verificar o sinal da lâmina	Verifique se o interruptor de ativação da lâmina está corretamente ligado e, de seguida, volte a colocar o interruptor na posição inicial.
ML32	Erro de autenticação do software	Reinicie a fonte de alimentação.
MR1	Erro de posicionamento do motor	Reinicie a fonte de alimentação.
MR2	Motor da lâmina parado	Verifique a carga de corte e volte a colocar o interruptor de ativação das lâminas na sua posição inicial.
MR3	Proteção de baixa velocidade do motor	Reinicie a fonte de alimentação.
MR4	Proteção de velocidade excessiva do motor	Reinicie a fonte de alimentação.
MR5	Erro do sensor Hall do motor	Verifique se o conector de efeito Hall da lâmina está corretamente ligado e, de seguida, reinicie a fonte de alimentação.
MR6	Perda de fase do controlador	Verifique se os cabos do motor do controlador de condução estão corretamente ligados e, de seguida, reinicie a fonte de alimentação.
MR7	Erro de circuito aberto MOSFET	Se surgir este problema, contacte o seu distribuidor para obter uma solução.
MR8	Subtensão do controlador	A tensão é demasiado baixa. Carregue a bateria antes da utilização.
MR9	Sobretensão do controlador	A tensão é demasiado elevada. Reinicie a fonte de alimentação.
MR10	Temperatura baixa da bateria	A temperatura do compartimento da bateria e da bateria é demasiado baixa. Utilize a máquina a uma temperatura adequada e reinicie a fonte de alimentação.
MR11	Sobretensão da PMU Temperatura elevada da bateria	A temperatura do compartimento da bateria e da bateria é demasiado elevada. Aguarde até que a bateria arrefeça e, de seguida, reinicie a fonte de alimentação.

Português

Código de erro	Descrição	Solução
MR12	Sobret temperatura do motor	A temperatura do motor é demasiado elevada. Aguarde que o motor arrefeça e, de seguida, reinicie a fonte de alimentação.
MR13	Sobret temperatura do controlador	A temperatura do controlador é demasiado elevada. Aguarde que o controlador arrefeça e, de seguida, reinicie a fonte de alimentação.
MR14	Sobrecorrente do software	A carga é demasiado elevada. Reinicie a fonte de alimentação.
MR15	Sobrecorrente do hardware	A carga é demasiado elevada. Reinicie a fonte de alimentação.
MR16	Erro no controlador de velocidade	Verifique se a alavanca do controlador de velocidade está corretamente ligada e, de seguida, reinicie a fonte de alimentação.
MR17	Erro de pré-carregamento do controlador	Reinicie a fonte de alimentação.
MR18	Erro do travão	Reinicie a fonte de alimentação.
MR19	Erro de sequência de funcionamento	Coloque as alavancas esquerda e direita na posição de estacionamento e o interruptor de ativação das lâminas na posição de desligar. Sente-se no assento e tente novamente.
MR20	Erro no sensor de ângulo	Reinicie a fonte de alimentação.
MR21	Erro de relé	Reinicie a fonte de alimentação.
MR22	Erro da válvula magnética	Verifique se a válvula solenoide do motor está corretamente ligada e, de seguida, reinicie a fonte de alimentação.
MR23	Falha de comunicação do compartimento da bateria (PMU)	Falha de comunicação com o compartimento da bateria. Reinicie a fonte de alimentação.
MR24	Falha no compartimento da bateria (PMU)	Erro mínimo/grave no compartimento da bateria. Execute uma verificação e reinicie a fonte de alimentação.
MR25	Erro de tempo limite CAN - condução esquerda	Falha de comunicação com o controlador de condução esquerda. Reinicie a fonte de alimentação.
MR26	Erro de tempo limite CAN - condução direita	Falha de comunicação com o controlador de condução direita. Reinicie a fonte de alimentação.
MR27	Erro de tempo limite CAN - lâmina esquerda	Falha de comunicação com o controlador da lâmina esquerda. Reinicie a fonte de alimentação.
MR28	Erro de tempo limite CAN - lâmina central	Falha de comunicação com o controlador da lâmina central. Reinicie a fonte de alimentação.
MR29	Erro de tempo limite CAN - lâmina direita	Falha de comunicação com o controlador da lâmina direita. Reinicie a fonte de alimentação.
MR30	Erro na tampa rebatível do compartimento da bateria	Verifique se o conetor sob o assento está corretamente ligado e, de seguida, reinicie a fonte de alimentação.
MR31	Falha ao verificar o sinal da lâmina	Verifique se o interruptor de ativação da lâmina está corretamente ligado e, de seguida, volte a colocar o interruptor na posição inicial.
MR32	Erro de autenticação do software	Reinicie a fonte de alimentação.
PMU10	Circuito aberto nas baterias na PMU	Baterias desligadas no compartimento da bateria; o desempenho da máquina pode ser afetado.

PT

Código de erro	Descrição	Solução
PMU11	Erro mínimo da PMU	Um erro mínimo no compartimento da bateria impediu o arranque do sistema das lâminas. Aguarde que o sistema recupere e, de seguida, reinicie o interruptor de ativação das lâminas.
PMU12	Erro crítico da PMU	Um erro grave no compartimento da bateria impediu o arranque dos sistemas de condução e das lâminas. Reinicie a fonte de alimentação e tente novamente.
PMU13	PMU sem baterias disponíveis	Verifique se está a utilizar as baterias corretas e, de seguida, reinicie a fonte de alimentação.

7 MANUTENÇÃO

7.1 MANUTENÇÃO DA LÂMINA DO TRATOR CORTA-RELVA

Verifique diariamente as lâminas do trator corta-relva. Estas são vitais para a eficiência e para uma relva bem cortada. Mantenha-as afiadas — uma lâmina romba rasga em vez de cortar a relva, deixando um topo rasgado castanho na relva passadas algumas horas. Uma lâmina romba também requer mais energia. Substitua qualquer lâmina que esteja dobrada, rachada ou partida.

▲ AVISO

Nunca tente endireitar uma lâmina dobrada através de aquecimento, nem soldar uma lâmina rachada ou partida, pois a lâmina pode partir e causar ferimentos sérios. Substitua as lâminas gastas ou danificadas.

▲ AVISO

Nunca trabalhe com as lâminas enquanto a chave estiver no interruptor da ignição. Rode a chave para a posição de desligar e retire as baterias da máquina. Bloqueie o trator corta-relva quando tiver de fazer trabalhos por baixo dele. Use luvas quando manusear as lâminas. Verifique sempre se a lâmina tem danos se o trator corta-relva bater contra uma rocha, ramo ou outro objeto estranho!

▲ PERIGO

Pode fazer um afiar superficial com uma lima. Verifique se as lâminas estão equilibradas após serem afiadas. Está disponível comercialmente uma ferramenta de equilíbrio em grande parte das lojas de ferragens, ou pode fazer o equilíbrio colocando a lâmina num ferro de punção invertido ou parafuso de 12,7 mm (1/2"). A lâmina não deverá ficar inclinada. Enquanto gira a lâmina lentamente, esta não deverá oscilar. Se a lâmina estiver desequilibrada, equilibre-a antes de a voltar a instalar. Coloque a lâmina numa superfície plana e verifique se existem distorções. Substitua qualquer lâmina distorcida.

▲ AVISO

- A parte curva da lâmina tem de ficar virada para cima na direção do interior da plataforma, para garantir um corte adequado.
- Quando montar lâminas, rode-as após a instalação, para se certificar de que as pontas das lâminas não tocam uma na outra nem nas partes laterais do trator corta-relva.
- Um binário de aperto errado do parafuso pode dar origem à perda da lâmina, o que pode causar ferimentos graves.
- As lâminas da máquina estão afiadas e podem cortar. Use luvas e tenha muito cuidado quando proceder à manutenção delas.

7.1.1 SUBSTITUIÇÃO DA LÂMINA

Consulte a imagem 17

1. Pare o motor, retire a chave de ignição e acione o travão de estacionamento.
2. Eleve a altura da plataforma de corte até à posição mais elevada para permitir o acesso às lâminas.

Português

i NOTA

Se necessário, levante o trator corta-relva colocando-o num elevador ou utilizando um macaco e suportes, ou retire a plataforma de corte conforme descrito na secção anterior para obter acesso às lâminas.

▲ AVISO

Se levantar o trator corta-relva para aceder às lâminas, certifique-se de que o trator corta-relva está devidamente fixo e de que o travão de estacionamento está engatado antes de continuar. A não fixação adequada do trator corta-relva pode provocar a sua queda, resultando em morte ou em possíveis ferimentos pessoais graves.

- Coloque um bloco de madeira entre a lâmina e a plataforma do trator corta-relva para evitar que a lâmina rode.
- Desaperte a porca da lâmina rodando-a no sentido inverso ao dos ponteiros do relógio (visto a partir da parte inferior do trator corta-relva) com uma chave de 16 mm ou uma chave de caixa (não fornecida).
- Retire a porca da lâmina, o espaçador, o isolador da lâmina e a lâmina.
- Enrosque a porca da lâmina no veio e aperte manualmente.
- Aperte a porca da lâmina no sentido dos ponteiros do relógio com uma chave dinamométrica (não fornecida) para garantir que o parafuso está devidamente apertado. O binário recomendado para a porca da lâmina é de 90 N.m~100 N.m.

▲ AVISO

Certifique-se de que a lâmina está devidamente encaixada e que a porca da lâmina está apertada de acordo com as especificações de binário acima. A não fixação adequada da lâmina poderá fazer com que esta se solte e resultar em possíveis ferimentos pessoais graves.

- Repita com a segunda lâmina, se necessário.

i NOTA

Certifique-se de que todas as peças são substituídas pela ordem exata em que foram removidas.

7.2 PNEUS

É importante para um corte nivelado que todos os pneus tenham a pressão correta do ar. As pressões recomendadas são:

i NOTA

A pressão do pneu só deverá ser medida ou ajustada quando os pneus estiverem frios.

Rodas condutoras	8 psi
Rodas oscilantes dianteiras	37 psi

i NOTA

Inspeccione os pneus diariamente. Substitua-os imediatamente se estiverem danificados.

▲ AVISO

Verifique cuidadosamente a pressão dos pneus enquanto os enche. Demasiado ar nos pneus pode fazer com que rebentem, causando ferimentos sérios.

7.3 LUBRIFICAÇÃO

Consulte a imagem 19

Adicione óleo antes de utilizar.

Tipo de óleo	SAE85W-140
Capacidade de óleo	180 ml

Contacte o seu revendedor Cramer para substituir o lubrificante.

i NOTA

Substitua o óleo da caixa de engrenagens depois de utilizar a máquina durante 50 horas pela primeira vez e, de seguida, substitua o óleo a cada 200 horas.

7.4 VALORES DE BINÁRIO

▲ AVISO

Preste especial atenção ao aperto das porcas das rodas condutoras e parafusos do eixo da lâmina. Um binário errado destas peças pode dar origem à perda de uma roda ou lâmina, o que pode causar danos sérios ou ferimentos.

Os valores de binário são apresentados abaixo:

Peça	Pés-lb.	Nm
Porcas da roda	89	120
Parafuso do eixo da lâmina	66	90

Apenas porcas da roda -Recomendamos que estas sejam verificadas, inicialmente, após as 2 primeiras horas de funcionamento, depois, a cada 100 horas e após a remoção para reparação ou substituição.

7.5 MANUTENÇÃO DA BATERIA

O seu trator corta-relva Cramer é alimentado por baterias que, quando devidamente mantidas, irão proporcionar anos de vida útil. Para um cuidado adequado, siga as seguintes instruções:

- Carregue sempre as baterias após cada utilização.
- Sempre que as baterias estejam completamente descarregadas e desligadas, deve carregá-las o quanto antes. A sobrecarga das baterias reduz a duração das mesmas, podendo ficar permanentemente danificadas. Não precisa de a carregar por completo. Até é benéfico que carregue a bateria apenas durante 5 a 10 minutos. É melhor recarregá-la no prazo de 24 horas.
- Não permita a acumulação de relva, terra e resíduos perto dos terminais da bateria e na área da bateria.
- Carregue as baterias no interior num local bem ventilado e seco, longe de faíscas ou chamas. Nunca exponha o carregador a chuva, vapor ou líquido.
- Carregue apenas baterias de lítio fornecidas pela Cramer.
- Não toque na parte não isolada do carregador (pinos do terminal) ou no conector de saída.
- Não use com cabos e fios defeituosos. Substitua cabos e fios defeituosos imediatamente.
- Para um armazenamento prolongado, certifique-se de que a temperatura de armazenamento é de -20 °C a 45 °C no espaço de um mês, e de 0 °C a 35 °C entre dois e dozes meses.
- O ambiente de funcionamento das baterias é de -20 °C a 55 °C para descarga e 0 °C a 55 °C para carga.

7.6 MANUTENÇÃO DO FILTRO DO COMPARTIMENTO DA BATERIA

Substitua o filtro do compartimento da bateria a cada 200 horas.

7.7 REPARAÇÃO

i IMPORTANTE

Espere que a máquina pare por completo antes de efetuar ajustes, limpeza ou reparação. As reparações ou manutenção que necessitem de energia deverão ser efetuadas apenas por técnicos de manutenção com formação. Leia e siga os avisos de segurança na parte da frente do manual.

i IMPORTANTE

As reparações ou manutenção que necessitem de energia deverão ser efetuadas apenas por técnicos de manutenção com formação.

- Estacione o trator corta-relva numa superfície nivelada. Certifique-se de que as alavancas de controlo da direção estão na posição de ponto-morto e que o interruptor PTO está na posição de desligar. Levante a plataforma, rode a chave para a posição de desligar, retire a chave do interruptor e retire as baterias do compartimento da bateria sob o assento.
- Qualquer operação de manutenção que requeira a remoção das coberturas de segurança tem de ser efetuada por um técnico com formação.
- Use um pau ou um instrumento semelhante para limpar por baixo do trator corta-relva, certificando-se de que nenhuma parte do corpo, especialmente os braços e as mãos, se encontra por baixo do trator corta-relva.
- Mantenha a máquina limpa e retire quaisquer depósitos de lixo e de relva cortada.
- Mantenha o compartimento da bateria, a plataforma e a estação do operador limpos, sem lixo acumulado, relva cortada e outros detritos.
- Limpe o compartimento da bateria, compartimento do motor condutor, plataforma do trator, assento, etc., de toda a sujidade e resíduos. Para limpar, use apenas ar comprimido. NÃO utilize água, solventes, produtos de limpeza fortes ou abrasivos.
- Use sempre proteção ocular adequada quando reparar as baterias ou quando afiar as lâminas do trator corta-relva ou retirar os detritos acumulados. Nunca tente fazer quaisquer ajustes ou reparações no sistema condutor do trator corta-relva, plataforma ou qualquer acessório enquanto o sistema de tração estiver a funcionar. As reparações ou manutenção que necessitem de energia deverão ser efetuadas apenas por técnicos de manutenção com formação.
- Nunca efetue trabalhos debaixo da máquina ou do acessório, a menos que sejam devidamente apoiados em suportes por suportes. Certifique-se de que a máquina está segura quando elevada e colocada em cima de suportes.
- Os suportes não deverão permitir que a máquina se mova quando o sistema de tração estiver a funcionar e as rodas condutoras estiverem a rodar. Use apenas suportes certificados. Use apenas suportes adequados, com uma taxa mínima de peso de 907,2 kg para bloquear a unidade. Use apenas aos pares. Siga as instruções de fornecidas com os suportes do veículo.
- Não toque nas peças quentes da máquina.
- Mantenha as porcas e parafusos apertados, especialmente os parafusos de fixação da lâmina. Mantenha o equipamento em bom estado de funcionamento.
- Nunca altere os dispositivos de segurança. Verifique o seu funcionamento correto regularmente.
- Rode a chave para a posição de desligar antes de desobstruir a saída de descarga.
- Nunca limpe a saída de descarga com a máquina a funcionar. Rode a chave para a posição de desligar e certifique-se de que as lâminas pararam antes de limpar. Use um pau para limpar uma área de descarga. Nunca faça isso com as mãos!
- Pare a unidade e permita que as lâminas parem por completo antes de desobstruir a saída. Os componentes do sistema de recolha da relva estão sujeitos a desgaste, danos e deterioração, o que pode expor as peças móveis ou permitir que objetos sejam atirados. Verifique frequentemente os componentes e substitua-os por peças recomendadas pelo fabricante sempre que necessário.
- Tenha cuidado quando efetuar trabalhos debaixo da plataforma, pois as lâminas estão extremamente afiadas. Use luvas e tenha muito cuidado quando proceder à manutenção delas.
- Utilize apenas peças genuínas do trator corta-relva Cramer para garantir a manutenção dos padrões originais.
- Retire sempre as baterias quando transportar a unidade. Mantenha a unidade sem restos de relva cortada, folhas e outros resíduos.
- Verifique o funcionamento dos travões frequentemente. Ajuste e efetue a manutenção conforme necessário.
- Proceda à manutenção ou substitua as etiquetas de instruções e de segurança conforme necessário.
- A manutenção do seu trator corta-relva deverá ser sempre efetuada por pessoas qualificadas, utilizando apenas peças de substituição idênticas. Tal irá assegurar que a segurança do trator corta-relva é mantida.
- Recarregue apenas com o carregador especificado pelo fabricante. Um carregador que seja adequado a um tipo de bateria pode criar um risco de incêndio quando usado com outra bateria.

8 TRANSPORTE E ARMAZENAMENTO

8.1 TRANSPORTE

▲ AVISO

Tenha especial cuidado ao carregar ou descarregar a máquina num reboque. Prima o botão de baixa velocidade de condução e desloque cuidadosamente as alavancas condutoras, conforme necessário, para controlar a velocidade. Carregue sempre o reboque com o trator corta-relva em marcha-atrás. Ao carregar ou descarregar o trator corta-relva, não exceda o ângulo máximo de inclinação recomendado de 15°. O não cumprimento destas instruções pode resultar em perda de controlo e provocar morte, ferimentos pessoais graves ou danos materiais.

▲ AVISO

Tenha cuidado ao carregar ou descarregar o trator corta-relva num reboque. Certifique-se de que a plataforma de corte está elevada na posição mais elevada, de modo a não ficar presa na rampa. As rodas do trator corta-relva podem sair da rampa ou do reboque, fazendo com que o trator corta-relva rode ou capote, resultando em risco de esmagamento que pode provocar morte ou ferimentos pessoais graves.

1. Estacione o trator corta-relva numa superfície nivelada.
2. Eleve a plataforma de corte até à posição mais elevada.
3. Posicione e fixe a rampa ao reboque de acordo com as instruções do fabricante.

! NOTA

Recomendamos a utilização de uma rampa de carga de largura total que seja, pelo menos, 30 cm mais larga do que o trator corta-relva para minimizar o risco de as rodas do trator corta-relva resvalarem da parte lateral da rampa.

4. Recue lentamente o trator corta-relva para a rampa e para o reboque.
5. Baixe completamente a plataforma do trator corta-relva.
6. Acione o travão de estacionamento.
7. Desligue o trator corta-relva e retire a chave.
8. Fixe o trator corta-relva conforme necessário utilizando cintas ou cabos, para evitar o movimento durante o transporte.

▲ AVISO

Para evitar um arranque acidental ou movimento que possa resultar em ferimentos pessoais graves, retire sempre a chave de ignição e acione o travão de estacionamento ao transportar o trator corta-relva.

8.2 LIMPEZA E ARMAZENAMENTO

8.2.1 LIMPAR A MÁQUINA

- Remova qualquer acumulação de relva e folhas na ou à volta da cobertura do motor (não utilize água de uma pistola de alta pressão para lavar o motor).
- Limpe ocasionalmente o trator corta-relva com um pano seco.
- Se se acumularem resíduos na parte inferior do trator corta-relva durante a utilização, pare o motor, desligue a máquina e limpe com uma ferramenta adequada.

8.2.2 LIMPE A PLATAFORMA DO TRATOR CORTA-RELVA

Consulte a imagem 18

- Coloque o travão de estacionamento nas ranhuras de estacionamento.
- Ajuste a altura da plataforma do trator corta-relva para a posição mais baixa.
- Fixe o acoplador rápido da porta de lavagem fornecido à mangueira de jardim.
- Fixe a mangueira de jardim com o acoplador rápido na porta de lavagem na plataforma do trator corta-relva. A porta de lavagem encontra-se no lado esquerdo da plataforma do trator corta-relva.
- Ligue a água.

- Puxe o interruptor PTO para ligar as lâminas de corte do trator corta-relva e ajuste a velocidade das lâminas para o máximo.
- Lave a parte inferior da plataforma com a água durante, aproximadamente, um minuto.
- Desengate as lâminas de corte, empurrando o interruptor PTO para baixo.
- Desligue a água e remova a mangueira de jardim e o acoplador rápido da porta de lavagem.
- Retire o acoplador rápido da mangueira de jardim e guarde-o para futura utilização.
- Desligue completamente o trator corta-relva.

8.2.3 GUARDAR A MÁQUINA

Deverá seguir os passos seguintes para preparar a máquina para ser guardada.

- Limpe a máquina conforme descrito na secção anterior.
- Inspeccione a lâmina e substitua-a ou afie-a, se necessário (consulte a secção Manutenção).
- Não guarde a máquina junto a materiais corrosivos, como fertilizantes ou sal grosso.
- Mantenha a máquina fora do alcance das crianças.
- Não cubra a máquina com uma película de plástico sólida. Os revestimentos plásticos acumulam humidade à volta da máquina, o que causa ferrugem e corrosão.
- Verifique atentamente se existem peças gastas ou danificadas que tenham de ser substituídas e encomende-as ao seu revendedor.
- Contacte o centro de reparação quando tiver de lubrificar a máquina de forma aprofundada.
- Carregue por completo e faça a manutenção das baterias.
- Não esvazie os pneus.
- A máquina deverá ser guardada num local bem ventilado, limpo e seco, pois o carregador da bateria não pode ser utilizado num ambiente húmido.
 - Mantenha sempre as baterias completamente carregadas. É especialmente importante evitar danos na bateria quando a temperatura for inferior a 0 °C.
 - Fixe o adaptador do carregador na porta de carregamento e as baterias conforme a secção do adaptador do carregador na secção do sistema elétrico.
 - Ligue o carregador a uma tomada elétrica adequada. Consulte as partes referentes ao carregador da bateria, carregamento da bateria e recomendações de carregamento na secção do sistema elétrico para obter mais detalhes sobre como usar o carregador e carregar as baterias.
 - Para maximizar o tempo de vida da bateria, recomenda-se carregar as baterias por completo pouco tempo depois de cada utilização.

8.2.4 PREPARAR PARA UTILIZAÇÃO APÓS ARMAZENAMENTO

Deverá seguir os passos seguintes antes de utilizar o trator corta-relva depois de ter estado armazenado:

- Carregue totalmente as baterias.
- Verifique a pressão dos pneus e encha conforme necessário.
- Conduza por breves instantes o trator corta-relva e verifique todos os sistemas e componentes para se certificar de que estão a funcionar corretamente.

9 RESOLUÇÃO DE PROBLEMAS

PROBLEMA	POSSÍVEIS CAUSAS	SOLUÇÃO
O veículo não se move.	As baterias não estão no compartimento da bateria ou não estão a ser utilizadas baterias designadas pela Cramer.	Para assegurar o funcionamento normal do veículo, deve ser colocada no compartimento da bateria, pelo menos, 1 bateria designada pela Cramer.
	As baterias não estão carregadas.	Verifique a alimentação das baterias.
	As alavancas de controlo da direção estão na posição de travão de estacionamento.	Certifique-se de que as alavancas de controlo esquerda e direita não estão na posição de travão de estacionamento.
	Ninguém está sentado no assento ou o interruptor de presença do operador não está fechado.	Certifique-se de que o condutor está sentado no assento.
	Os interruptores de estacionamento esquerdo e direito não estão na posição inicial com a alimentação ligada.	Coloque as alavancas de controlo da direção na posição do travão de estacionamento e volte a ligar a máquina, se continuar a não arrancar, contacte o serviço pós-venda relevante da Cramer .
	O compartimento da bateria está em estado inativo.	Rode a chave de ignição para a posição de desligar e aguarde mais de 5 segundos antes de voltar a ligar a máquina.
Avaria súbita durante a condução	A bateria não está carregada.	Para assegurar o funcionamento normal de todo o veículo, deve ser colocada no compartimento da bateria, pelo menos, 1 bateria designada pela Cramer e assegurar que as baterias estão carregadas.
	Estradas irregulares e acidentadas, resultando na desconexão do interruptor de presença do operador.	Coloque as alavancas de controlo da direção na posição do travão de estacionamento e volte a ligar a máquina.
	O acelerador esquerdo/direito está avariado.	Entre em contacto com o serviço pós-venda da Cramer.
	O controlador de condução falhou.	Entre em contacto com o serviço pós-venda da Cramer.
A lâmina não funciona depois de puxar o interruptor PTO.	As baterias designadas pela Cramer não estão no compartimento da bateria.	Para assegurar o funcionamento normal de todo o veículo, deve ser colocada no compartimento da bateria, pelo menos, 1 bateria designada pela Cramer e assegurar que as baterias estão carregadas.
	A carga da bateria é inferior a 5%.	Verifique a alimentação das baterias; se estiverem fracas, carregue as baterias.
	O interruptor de presença do operador não está fechado.	Certifique-se de que o condutor está sentado no assento.
	O interruptor da lâmina (PTO) não está na posição inicial antes de ligar.	Prima o PTO e puxe-o novamente para cima.
	Bloqueio do motor da lâmina ou outra proteção funcional.	Verifique se não existem ervas daninhas e outros objetos estranhos na ligação entre a lâmina e o motor para garantir uma rotação sem problemas da lâmina. Recomenda-se que puxe a plataforma para cima e ative as lâminas antes de ajustar a plataforma para a engrenagem necessária.
	O controlador de condução está avariado.	Verifique o código de erro que aparece no ecrã.

Português

PROBLEMA	POSSÍVEIS CAUSAS	SOLUÇÃO
A lâmina para ao cortar relva.	O controlador da lâmina está avariado.	Verifique o código de erro que aparece no ecrã.
	Sobrecarga do motor da lâmina.	Limpe o interior da plataforma, certifique-se de que não há rotação anormal da lâmina, prima o PTO, reinicie a máquina e reduza a carga da lâmina, elevando a altura da mesa de corte ou reduzindo a velocidade de condução.
	A temperatura das baterias é demasiado elevada.	Não utilize imediatamente após a conclusão do carregamento; caso contrário, poderá despoletar o erro de proteção de temperatura das baterias.
	A carga da bateria é inferior a 5%.	A carga das baterias está baixa, por favor, carregue-as.
	A lâmina é atingida por um objeto estranho, causando uma paragem repentina.	Rode a chave de ignição para a posição de desligar e aguarde mais de 5 segundos antes de voltar a ligar a máquina.
	O controlador de condução está avariado.	Verifique o código de erro que aparece no ecrã.
O trator corta-relva corta a relva de forma desigual e a diferença de altura é muito grande.	A lâmina está romba.	Afie a lâmina de acordo com o manual.
	A lâmina está dobrada.	Substitua a lâmina dobrada de acordo com as instruções e utilize equipamento de proteção.
	A plataforma não está plana.	Nivele a plataforma de acordo com as instruções para garantir que as alturas do lado esquerdo e direito são iguais.
A altura real de corte da relva não corresponde à altura marcada de corte escolhida.	Parafusos de fixação soltos da plataforma.	Ajuste os parafusos de fixação da plataforma para garantir que está firmemente instalada. Nota: a plataforma precisa de ser novamente nivelada após ajustar os parafusos de fixação.
	A plataforma está extremamente gasta ou danificada.	Substitua por uma nova plataforma.
Corte anormal do veículo	O relvado está demasiado molhado.	Antes de cortar, verifique o estado da relva. Se a relva estiver demasiado molhada, aguarde que o vento ou a luz do sol a seque, aguarde que o orvalho do relvado se dissipe antes de cortar.
	O trator corta-relva está ajustado para cortar demasiada relva de uma só vez.	Se a relva for muito densa e alta, levante a plataforma e evite ao máximo cortar relva maciça.
Vibração excessiva da máquina	As lâminas estão soltas.	Afie a lâmina de acordo com método descrito no manual.
	As lâminas estão dobradas.	Substitua a lâmina dobrada, prestando atenção à correta substituição da lâmina de acordo com as instruções e utilize equipamento de proteção.
	Plataforma irregular.	Nivele a plataforma de acordo com as instruções para garantir que as alturas do lado esquerdo e direito são iguais.
	Plataforma solta.	Bloqueeie os parafusos fixos da plataforma.
	O trator corta-relva está ajustado para cortar demasiada relva de uma só vez.	Se a relva for muito densa e alta, levante a plataforma, tente evitar cortar relva maciça.

PROBLEMA	POSSÍVEIS CAUSAS	SOLUÇÃO
Relva, folhas ou detritos deixados no solo após cortar a relva.	O trator corta-relva está ajustado para cortar demasiada relva de uma só vez.	Se a relva for muito densa e alta, levante a plataforma, se a altura da relva for superior a 15 cm, use dois ciclos de corte para obter o efeito de corte, tente evitar cortar relva maciça.
	A relva está muito molhada.	Verifique o estado da relva antes de cortar, se a relva estiver demasiado molhada, aguarde que o vento ou a luz do sol a seque, aguarde que o orvalho do relvado se dissipe antes de cortar a relva.
	A velocidade de condução é demasiado elevada.	Reduza a velocidade de condução.
	A velocidade de corte da lâmina é demasiado baixa.	Aumente o nível de velocidade da lâmina.
Curta duração do corte	Cortar relva maciça pode resultar numa curta duração de corte.	Elevar a plataforma ou diminuir a velocidade da lâmina pode aumentar o tempo de utilização do trator corta-relva com uma carga.
Resvalamento do trator corta-relva	Pressão dos pneus diferente	Verifique regularmente a pressão dos pneus traseiros do trator corta-relva, de acordo com o manual.
O veículo não arranca após a lavagem.	Limpeza inadequada, como água no ecrã de LEDs, no compartimento da bateria e em outros componentes eletrónicos.	<ol style="list-style-type: none"> 1. Siga as instruções para limpar a máquina. 2. Se o veículo for acidentalmente encharcado, coloque-o num local seco durante 12 horas ou seque-o com ar antes de utilizar. 3. Entre em contacto com o serviço pós-venda da Cramer.
O trator corta-relva está bloqueado.	Ervas daninhas e lixo acumulado na plataforma.	Siga as instruções para limpar a máquina após a utilização.
Estacionada, a máquina desliza e derrapa rapidamente na encosta.	Desgaste excessivo dos pneus.	Contacte o serviço pós-venda para substituir os pneus.
	O travão eletromagnético está danificado ou com desgaste excessivo.	Contacte o serviço pós-venda para substituir o travão eletromagnético.
	O travão eletromagnético é libertado manualmente.	Verifique o travão eletromagnético e reponha-o na posição inicial.

10 CARACTERÍSTICAS TÉCNICAS

Modelo nº	82ZT107
Tensão	82 V
Peso bruto do veículo	106±3 kg
Comprimento:	170 cm
Altura	117 cm
Largura (com descarga)	135 cm
Largura (sem descarga)	107 cm
Largura da plataforma	107 cm
Velocidade de avanço	0-7.5 mph
Velocidade de marcha-atrás	0-3 mph
Raio da altura de corte	3.81-11.4 cm
Nível de ajuste da altura de corte	7 peças
Velocidade sem carga	2400/3000/3200 RPM
Tempo de carregamento	4 h (com carregador de 8 A)
Potência do motor	1.2 kW (motor da lâmina) 1.2 (motor condutor)
Inclinação MÁX. em encostas	15°
Número de lâminas (descarga/adubagem)	2 peças
Nível de pressão do som medido	$L_{pA} = 85.63 \text{ dB(A)}$, $K_{pA} = 3 \text{ dB(A)}$
Nível de potência do som medido	$L_{wA} = 98.61 \text{ dB(A)}$
Nível de potência do som garantido	$L_{wA,d} = 100 \text{ dB(A)}$
Vibração	Braços: $\leq 2.5 \text{ m/s}^2$, $K = 1.5 \text{ m/s}^2$ Carroçaria: $\leq 2.5 \text{ m/s}^2$, $K = 1.5 \text{ m/s}^2$

PT

11 GARANTIA LIMITADA

11.1 O QUE É ABRANGIDO POR ESTA GARANTIA

Cramer oferece a seguinte garantia apenas ao comprador original ("Proprietário"). A garantia não é transferível:

A. Utilização residencial: O produto Cramer usado para fins residenciais normais* inclui uma garantia de cinco (5) anos ou 1500 horas de uso total (o que for atingido primeiro) a partir da data de compra para todos os materiais e mão de obra do chassis, plataforma e baterias. Consumíveis, como pneus e lâminas têm uma garantia de trinta (30) dias a partir da data de compra. Se, durante o período da garantia, for descoberto um defeito de material ou de mão-de-obra:

- O Proprietário tem de notificar imediatamente a Cramer ou um revendedor autorizado por escrito ou por e-mail, chamada telefónica, aplicação ou pessoalmente do defeito. Tal notificação nunca deverá ser recebida pela Cramer ou por um revendedor autorizado após cinco (5) anos da data de compra.
- Dentro de um espaço de tempo razoável após tal notificação e confirmação do defeito ao abrigo da garantia, a Cramer irá reparar qualquer defeito de material ou fabrico do produto Cramer através de reparação ou substituição de peças por peças novas ou usadas, a seu critério.
- Tal reparação, incluindo peças e mão de obra, ficará a cargo da Cramer apenas para o Proprietário original.

B. Utilização comercial: O produto Cramer usado para fins comerciais e institucionais inclui uma garantia de cinco (5) anos ou 1500 horas de uso total (o que for atingido primeiro) a partir da data de compra em todos os materiais e mão de obra do chassi, plataforma e baterias. Consumíveis, como pneus e lâminas têm uma garantia de trinta (30) dias a partir da data de compra. Se, durante o período da garantia, for descoberto um defeito de material ou de mão-de-obra:

- O Proprietário tem de notificar imediatamente a Cramer ou um revendedor autorizado por escrito ou por e-mail, chamada telefônica, aplicação ou pessoalmente do defeito. Tal notificação nunca deverá ser recebida pela Cramer ou por um revendedor autorizado após cinco (5) anos da data de compra.
- Dentro de um espaço de tempo razoável após tal notificação e confirmação do defeito ao abrigo da garantia, a Cramer irá reparar qualquer defeito de material ou fabrico do produto Cramer através de reparação ou substituição de peças por peças novas ou usadas, a seu critério.
- Tal reparação, incluindo peças e mão de obra, ficará a cargo da Cramer apenas para o Proprietário original (comercial).

i NOTA

Não manter corretamente as baterias completamente carregadas reduz o seu tempo de vida e anula a garantia da bateria. As provisões desta garantia não se aplicam a falhas devido a:

- Abuso ou negligência, como: danos devido a água, cablagem solta ou ferragens enferrujadas ou corroídas.
- Falha de manutenção adequada, danos causados por uma instalação incorreta da bateria, negligência, quebras, exposição a temperaturas extremas, incluindo, mas não limitado a temperaturas gélidas, temperaturas quentes, proximidade de fontes de calor, incluindo aquecedores ou fogo, exposição à água ou outras substâncias, funcionamento da bateria num estado excessivamente carregado ou sem carga.
- Uma bateria carregada por outros sistemas sem ser o carregador original do equipamento.

Rodapé: *"" Fins residenciais normais", conforme usado aqui, significa o uso do produto em sua casa. Usado em mais do que um local é considerado um uso comercial, ao qual se passa a aplicar a garantia comercial.*

11.2 QUEM TEM DE EFETUAR O SERVIÇO AO ABRIGO DA GARANTIA

Todos os serviços ao abrigo da garantia deverão ser efetuados por um revendedor autorizado Cramer ou um técnico de reparação autorizado Cramer. Chamadas de reparação e/ou despesas de transporte do produto do e para o revendedor autorizado para trabalhos ao abrigo da garantia serão pagas pelo proprietário do produto. Para um serviço ao abrigo da garantia, contacte um revendedor autorizado.

11.3 O QUE NÃO É ABRANGIDO POR ESTA GARANTIA

A Cramer não cobre ao abrigo da garantia:

- Reparações efetuadas por pessoas não autorizadas.
- Danos causados pela utilização do produto Cramer para fins diferentes daqueles para os quais foi concebido.
- Danos causados por desastres, como fogo, inundações, vento e trovoadas.
- Danos causados por negligência, abuso, uso anormal, uso indevido ou injustificado, acidente ou má utilização, como danos devido a água.
- Reparações ou substituições devido ao uso de peças não autorizadas ou acessórios.
- Reparações ou substituições como resultado de quaisquer alterações ou modificações, determinadas pela Cramer, que afetem adversamente o funcionamento, o desempenho ou a durabilidade do equipamento.
- Produtos, componentes ou peças não fabricados pela Cramer.
- Produtos que tenham a identificação alterada, incluindo, mas não limitado a números de série retirados e/ou tornados ilegíveis.
- Depreciação ou danos causados por desgaste normal, falta de manutenção razoável e adequada, falha em seguir as instruções de operação, manutenção e ajuste apresentadas no manual do utilizador ou outras instruções operacionais fornecidas pela Cramer.
- Peças de manutenção normal e reparação, incluindo, mas não limitado a, lubrificantes, peças de afinação, lâminas, afiação das lâminas, rolamentos, travões ou ajustes da direção.
- Produtos com uma programação não aprovada para esse produto, incluindo alterações nos parâmetros, programação ou ajustes pós-venda, ou qualquer modificação não aprovada de componentes, sistemas eletrônicos ou software.

11.4 CLÁUSULA DE DESRESPONSABILIZAÇÃO DA GARANTIA

A garantia é apresentada em detrimento de outras garantias, expressas ou implícitas, incluindo, mas não limitado às garantias implícitas comerciais ou adequabilidade para um certo intuito. No entanto, se o produto Cramer for adquirido como um consumível, qualquer garantia implícita de comercialização ou adequação para um determinado fim está limitada à duração desta garantia limitada. Alguns estados não autorizam a limitação da duração da garantia. Como tal, as limitações supra-indicadas podem não aplicar-se no seu caso. Esta garantia proporciona-lhe direitos legais específicos, podendo também desfrutar de outros direitos, que variam de estado para estado.

11.5 LIMITAÇÃO DE INDEMNIZAÇÃO

Em caso algum, a Cramer será responsável por quaisquer danos especiais, acidentais ou consequenciais resultantes de quebra da garantia, quebra de contrato, negligência, responsabilidade objetiva em matéria de delito ou qualquer outra teoria legal. Estes danos podem incluir, mas não se limitam a:

- Perda de lucros
- Perda de poupanças ou receitas
- Perda de utilização do Produto Cramer ou de qualquer equipamento associado
- Custo de capital
- Custo de qualquer equipamento substituto, instalações, serviços ou tempo de inatividade
- Queixas de terceiros, incluindo clientes, e danos patrimoniais

11.6 LIMITE DE TEMPO

A não ser que a lei dos Estados Unidos o determine de outro modo:

Qualquer ação de quebra da garantia tem de ser iniciada no espaço de cinco (5) anos ou sessenta (60) meses a partir da data de compra numa aplicação residencial e/ou comercial.

No caso de a data de fabrico exceder um espaço de tempo razoável anterior à compra por parte do primeiro cliente, a garantia da Cramer pode estar sujeita a limitações adicionais.

11.7 SEM GARANTIAS ADICIONAIS

Este acordo é tido como completo e como sendo o acordo exclusivo entre partes, substituindo todos os acordos anteriores, orais ou por escrito, e todas as outras comunicações entre as partes relacionadas com o tema deste acordo.

11.8 RESPONSABILIDADE DO PROPRIETÁRIO

Tem de efetuar a manutenção do seu produto Cramer de acordo com os procedimentos de manutenção descritos no manual do utilizador. As despesas de tal rotina de manutenção, quer seja efetuada por um revendedor ou por si, ficam a seu encargo.

Esta máquina, tal como qualquer outro equipamento elétrico, é potencialmente perigosa, a não ser que seja devidamente utilizada. Qualquer operador tem de ter cuidado e dar prioridade à segurança. Qualquer operador, antes de utilizar o produto Cramer, deverá familiarizar-se por completo com o manual do utilizador, relativamente ao funcionamento e segurança da máquina, bem como com todos os avisos de segurança da máquina.

11.9 DISTRIBUIÇÃO DOS RISCOS

Este acordo distribui os riscos de falha do produto entre a Cramer e o Proprietário. Esta distribuição é reconhecida por ambas as partes e refletida no preço dos bens.

11.10 REGISTO DA GARANTIA

A não ser que a lei dos Estados Unidos o determine de outro modo:

1. Os proprietários devem registrar a unidade junto da Cramer no prazo de dez (10) dias após a data de compra.
2. O registo pode ser feito através do preenchimento do formulário de registo da garantia, que é fornecido no manual do operador.
3. O registo também pode ser feito através de formulários on-line em cramertools.com ou utilizando a aplicação e fornecendo prova de compra (recibo onde consta a data de compra).

12 DECLARAÇÃO DE CONFORMIDADE CE

Nome e morada do fabricante:

Nome: Greenworks Tools Europe GmbH
Morada: Brunnenweg 17, 64331 Weiterstadt, Alemanha

Nome e morada da pessoa autorizada a compilar o ficheiro técnico:

Nome: Ralf Pankalla
Morada: Brunnenweg 17, 64331 Weiterstadt, Alemanha

Declaramos por este meio que o produto

Categoria: Trator corta-relva Zero Turn
Modelo: 82ZT107
Número de série: Consulte a etiqueta das especificações do produto
Ano de fabrico: Consulte a etiqueta das especificações do produto

- encontra-se em conformidade com as provisões relevantes da Diretiva Máquinas 2006/42/CE.
- Se encontra em conformidade com as provisões das seguintes diretivas europeias:
 - 2014/30/UE
 - 2011/65/UE e (UE)2015/863

Além disso, declaramos que as seguintes normas harmonizadas europeias (partes ou cláusulas) foram usadas:

- EN 62841-1, EN ISO 5395-1, EN ISO 5395-3, EN ISO 14982, IEC 62321-3-1, IEC 62321-4, IEC 62321-5, IEC 62321-6, IEC 62321-7-1, IEC 62321-7-2, IEC 62321-8

Local, data: 11.11.2022

Assinatura: Ted Qu, Diretor da Qualidade

Ted Qu

1 Beschrijving.....	190	7.4 Koppelwaarden.....	208
1.1 Overzicht.....	190	7.5 Onderhoud van het accupack.....	208
1.2 Bedieningspaneel.....	190	7.6 Onderhoud van het accuvakfilter.....	209
2 De machine uitpakken.....	190	7.7 Service.....	209
3 Installatie.....	191	8 Vervoer en opslag.....	210
3.1 Monteer de zitting.....	191	8.1 Transport.....	210
3.2 Installeer de mulchafdekking.....	191	8.2 Reiniging en opslag.....	210
3.3 Installeer de besturingshendel.....	191	9 Probleemoplossing.....	212
3.4 Neutrale omloopknop.....	192	10 Technische gegevens.....	214
3.5 Anti-scalpwielen.....	192	11 Beperkte garantie.....	215
4 Gebruiksaanwijzing.....	192	11.1 Wat wordt gedekt door deze garantie?...215	
4.1 Voorafgaand aan het gebruik.....	192	11.2 Wie moet de garantieservice uitvoeren? 215	
4.2 Gebruik van de machine.....	194	11.3 Wat wordt niet gedekt door deze garantie?.....	216
5 Elektrisch systeem.....	199	11.4 Afwijzing van garantie.....	216
5.1 Veiligheid elektrisch systeem.....	199	11.5 Beperking van rechtsmiddelen.....	216
5.2 Informatie over het elektrisch systeem... 199		11.6 Tijdslimiet.....	216
5.3 Digitaal display.....	200	11.7 Geen andere garanties.....	217
6 Fouten.....	200	11.8 Verantwoordelijkheid van de eigenaar... 217	
6.1 Foutcode.....	201	11.9 Toewijzing van risico's.....	217
7 Onderhoud.....	206	11.10Garantieregistratie.....	217
7.1 Onderhoud van de maaibladen.....	206	12 EC Verklaring van overeenstemming.....	217
7.2 Banden.....	207		
7.3 Smering.....	208		

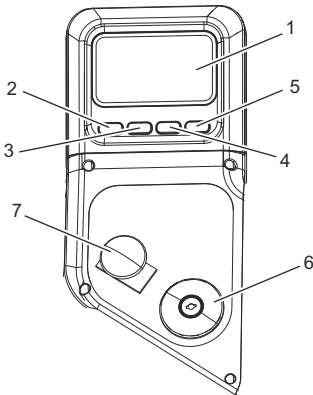
1 BESCHRIJVING

1.1 OVERZICHT

Zie het afzonderlijke blad met tekeningen 1-19

- | | |
|-------------------------------------|------------------------|
| 1 Besturingshendels | 19 Neutrale omloopknop |
| 2 Zithoogteverstelling | 20 Serienummer |
| 3 Koplamp | 21 Koppelingscode |
| 4 Voorwielen | 22 QR-code |
| 5 Uitwerpopening | 23 Accuvak |
| 6 Aandrijfwielen | 24 Accu |
| 7 Bedieningspaneel | 25 Accuvergrendeling |
| 8 USB-poort | 26 Uitschakelen |
| 9 Bekerhouder | 27 Inschakelen |
| 10 Dek | 28 Start sleutelgat |
| 11 Anti-scalpwielen | 29 Bout |
| 12 Hendel voor dekhoogteverstelling | 30 Sluistring |
| 13 Zittingpaneel | 31 Blad |
| 14 Zittingplug | 32 Tuinslang |
| 15 Mulchafdekking | 33 Snelkoppeling |
| 16 Lagerring | 34 Waspoort |
| 17 Bevestigingsklemmen | 35 Olieaftap |
| 18 Montagepaal | 36 Oliepeilcontrole |

1.2 BEDIENINGSPANEEL



2 DE MACHINE UITPAKKEN

▲ WAARSCHUWING

Zorg ervoor dat u de machine vóór gebruik correct monteert.

#	Naam	Functie
1	Digitaal display	Dit display toont belangrijke informatie over het elektrische systeem. Raadpleeg het hoofdstuk 'Elektrisch' voor volledige informatie.
2	Snelheidsregeling bladmotor / Terugkeer	Pas de bladsnelheid aan (cyclisch) als het op de homepage staat. Druk op de knop om terug te keren naar de vorige pagina.
3	Menu navigatie / Pagina omhoog	Ga naar de laatste pagina. Terug naar het beginscherm.
4	Lampschakelaar / Pagina omlaag	Zet de lampen aan/uit als het op de homepage staat. Ga naar de volgende pagina .
5	Regeling van de rijsnelheid / bevestigen	Pas de rijsnelheid (cyclisch) aan als dit op de homepage staat. Druk op de knop om te bevestigen.
6	Aan/uit-schakelaar	De schakelaar wordt gebruikt om de maaier aan en uit te zetten.
7	Dekbladen aan/uit-schakelaar (PTO)	Deze schakelaar schakelt de bladmotoren in. Trek de schakelaar omhoog om in te schakelen en druk de schakelaar omlaag om de motoren uit te schakelen.

i BELANGRIJK

Schakel de bladmotoren nooit in als het blad belast is. De motoren of het dek kunnen beschadigd raken.

▲ WAARSCHUWING

- Gebruik de machine niet als onderdelen beschadigd zijn.
- Gebruik de machine niet als er onderdelen ontbreken.
- Neem contact op met het servicecentrum als er onderdelen beschadigd zijn of ontbreken.

1. Open de verpakking.
2. Lees de documentatie in de doos.
3. Haal alle ongemonteerde onderdelen uit de doos.
4. Haal de machine uit de doos.
5. Gooi de doos en het verpakkingsmateriaal weg in overeenstemming met de plaatselijke voorschriften.

▲ WAARSCHUWING

Voor uw persoonlijke veiligheid mag u de accu niet plaatsen voordat de machine volledig is gemonteerd.

3 INSTALLATIE

3.1 MONTEER DE ZITTING

Zie afbeelding 3

1. Plaats de zitting op het zittingpaneel en lijn de gaten uit zoals afgebeeld.
2. Monteer de bouten, ringen en moeren en draai ze goed vast.
3. Bevestig de hulzen aan de moeren.
4. Zorg ervoor dat de zitting goed vastzit.
5. Sluit de stekker van de zitting aan op de machine.

3.2 INSTALLEER DE MULCHAFDEKKING

Zie afbeelding 4

De maaier is bij levering geconfigureerd voor zij-uitworp. Als mulchen gewenst is:

1. Plaats de mulchafdekking op het lipje op de behuizing van de maaier.
2. Lijn de gaten in de mulchafdekking en de gaten in de behuizing van de maaier uit.
3. Monteer en draai de bouten, schroeven, bevestigingsklemmen en lagerring zoals afgebeeld.

3.3 INSTALLEER DE BESTURINGSHENDEL

Zie afbeelding 5-6

▲ WAARSCHUWING

De besturingshendels moeten zodanig worden afgesteld dat zij in de neutrale stand gelijkstaan. Monteer de besturingshendels NOOIT op een asymmetrische bedieningshoogte.

1. Til één besturingshendel op om de gaten in de hendel uit te lijnen met de gaten in de bijbehorende montagepaal.
2. Selecteer de gewenste bedieningshoogte van de besturingshendel. Steek de schroef samen met de sluitring in het gat.
3. Gebruik de sleutel (13*16 mm) om de besturingshendel vast te zetten.
4. Monteer de andere besturingshendel op dezelfde manier.

▲ LET OP!

Monteer de besturingshendel niet omgekeerd.

3.3.1 BESTURINGSHENDELS

De twee hendels regelen de snelheid van de maaier, de richting, het stoppen, de neutrale vergrendeling en de parkeerrem. De hendels worden gebruikt om te sturen, te versnellen, te vertragen, te stoppen en van richting te veranderen. Wanneer de besturingshendels in de parkeerremstand staan, zal de maaier niet bewegen.

i OPMERKING

Rijd altijd met beide handen. Rijd niet met één hand.

3.3.2 DE APP GEBRUIKEN

Zie afbeelding 9-10

1. Bezoek de website van Fleet Management: fleet.cramertools.com
2. Maak een account aan en log in.
3. Nodig andere gebruikers in uw organisatie uit.
4. Scan de QR-code, download de app en log in.
5. Voeg een apparaat toe. Vind het serienummer, de koppelingscode en de QR-code op het label van het voertuig dat bij deze handleiding hoort. Scan QR-code of typ handmatig in.

3.4 NEUTRALE OMLOOPKNOP

Zie afbeelding 7-8

1. Trek de neutrale omloopknoppen naar buiten en vervolgens naar beneden om het wiel te ontgrendelen.
2. Zet de neutrale omloopknoppen terug in positie om de wielen te vergrendelen.

▲ WAARSCHUWING

Rijd nooit met de maaier terwijl de omloopknop in neutraal staat. Zet de neutrale omloopknop altijd in de oorspronkelijke stand voordat u gaat rijden! Als u de knop niet opnieuw installeert, kan dit ernstige schade aan uw maaier veroorzaken en vervalt de garantie op de maaier!

▲ WAARSCHUWING

Ontgrendel nooit de neutrale omloopknop wanneer de machine op de helling werkt!

3.5 ANTI-SCALPWIELEN

Zie afbeelding 2

Anti-scalpwielen zijn standaard op Cramer de machine. Deze anti-scalpwielen zijn ontworpen voor het maaien op ruw, oneffen terrein. Nadat u de maaioogte hebt ingesteld, stelt u de anti-scalpwielen zo af dat ze onder het maaidek uitsteken maar niet de grond raken. Ze moeten altijd ten minste 0,6 cm tot 1,9 cm onder het dek liggen. Als de machine op een vlakke, horizontale ondergrond staat, kan de wielpositie naar behoefte worden ingesteld van 1,9 cm tot 4,4 cm onder het bladoppervlak. Verplaats de wielen omhoog of omlaag - met behulp van de verschillende asbevestigingsgaten in de wielbevestigingssteun (indien van toepassing op het model).

4 GEBRUIKSAANWIJZING

4.1 VOORAFGAAND AAN HET GEBRUIK

4.1.1 AANPASSING VAN DE ZITTING

Zie afbeelding 11

▲ WAARSCHUWING

Controleer vóór elk gebruik of de zitting stevig is vastgeschroefd. Hiermee wordt voorkomen dat de zitting verschuift/kantelt in geval van kantelen of omvallen van de maaier.

1. Duw de besturingshendels naar buiten in de stand PARK REMMEN voordat u de zitting ver stelt.
2. Ga op de zitting zitten en til de hendel voor zittingverstelling op.

3. Terwijl u de hendel vasthoudt, schuift u de zitting in de gewenste stand.
4. Laat de hendel los en zorg ervoor dat de zitting vergrendeld is voordat u de maaier bedient.

▲ WAARSCHUWING

Zorg ervoor dat de zitting is vergrendeld voordat u de maaier bedient. Een niet veilige zitting kan ertoe leiden dat de gebruiker verschuift en de controle over de maaier verliest, met mogelijk de dood of ernstig lichamelijk letsel tot gevolg.

4.1.2 STEL DE MAAIHOOGTE VAN HET DEK IN

Zie afbeelding 12

Voordat u de maaier gebruikt, moet u de maaihogte instellen op de voor uw gazon meest geschikte stand.

De hoogte van het dek is instelbaar van 3.81-11.4 cm. Het maaidek moet tijdens het maaien omhoog worden gebracht om stronken, stenen of andere obstakels te vermijden die het maaidek kunnen beschadigen.

▲ LET OP!

Houd de hendel voor het instellen van de dekhoogte stevig vast bij het instellen van de dekhoogte en laat hem pas los als hij vastzit in de gewenste sleuf. Het snel loslaten van de hendel kan een knel- of trekgevaar opleveren voor uw handen.

1. Stop de maaier en ontkoppel de bladen.
2. Draai de sleutel in de OFF-positie en zet de parkeerrem aan.
3. Om het maaidek omhoog te zetten, pakt u de hendel voor de maaihogte-instelling vast, duwt u naar links om deze los te maken van de sleuf, beweegt u naar de achterkant van de maaier en duwt u vervolgens naar rechts in de sleuf om deze vast te zetten.
4. Om het maaidek te laten zakken, pakt u de hendel voor het instellen van de maaihogte vast, duwt u naar links om deze los te maken van de sleuf, beweegt u naar de voorkant van de maaier en duwt u vervolgens naar rechts in de sleuf om deze vast te zetten.

4.1.3 STEL DE BESTURINGSHENDEL AF

De besturingshendels kunnen worden versteld voor het comfort van de bestuurder. Door de dopschroeven los te draaien waarmee de bovenste bedieningshendel aan de onderste is bevestigd, kan de bovenste bedieningshendel worden gedraaid. De besturingshendels moeten zodanig worden afgesteld dat zij in de neutrale stand op elkaar zijn afgestemd.

4.1.4 INSTALLEER HET ACCUPACK

Zie afbeelding 13

Om te controleren of de accu's van de maaier volledig zijn opgeladen, controleert u de accu-indicator. Zie de handleiding van de accu voor meer details.

1. Til het zittingpaneel op.
2. Til het deksel van het accuvak op.
3. Plaats het accupack in het accuvak.

▲ WAARSCHUWING

Lijn de ribben van de accu uit met de accupoort. Zorg ervoor dat de accuvergrendeling soepel in het accuvak klikt.

4.1.5 VOORDAT U DE MACHINE GEBRUIKT

- Zorg ervoor dat het werkgebied vrij is van kinderen, omstanders en huisdieren.
- Maak het werkgebied vrij van voorwerpen die door de maaibladen kunnen worden geworpen.
- Controleer de werking van de remmen.
- Controleer de bandenspanning.
- Controleer op losse bevestigingen.
- Controleer of alle afschermingen aanwezig zijn en goed werken.

- Maak de maaier schoon.
- Test de veiligheidsvergrendeling.
- Zet de zitting in de gewenste positie.
- Controleer het oplaadniveau van de accu.

4.1.6 STARTBLOKKEERSYSTEEM

De machine is uitgerust met een startblokkeersysteem bestaande uit de parkeerremschakelaars, de zittingschakelaar en de schakelaar voor het in- en uitschakelen van de dekbladen.

Het startblokkeersysteem van de maaier is ontworpen om de gebruiker en anderen te beschermen tegen onopzettelijk letsel als gevolg van het onbedoeld starten van de aandrijving.

Controleer dagelijks het startblokkeersysteem van de maaier voordat u hem in gebruik neemt. Dit systeem is een belangrijk veiligheidskenmerk van de maaier. Het moet onmiddellijk worden gerepareerd als het niet goed werkt. De machine is voorzien van een aparte zittingschakelaar, die het aandrijfsysteem en de maaidekmotoren stopt wanneer de gebruiker om welke reden dan ook niet aanwezig is terwijl de maaier werkt. Dit is een veiligheidsvoorziening die is ontworpen om weglopen of ongewild verstrikt raken te voorkomen.

▲ WAARSCHUWING

Het startblokkeersysteem mag niet worden losgekoppeld of omzeild. Doet u dit wel, dan kan de machine onverwacht gaan werken, met persoonlijk letsel tot gevolg.

Om het systeem te inspecteren:

1. De gebruiker moet op de zitting zitten wanneer hij de zittingschakelaar test.
2. Draai de sleutel om de machine te starten.
3. Trek de besturingshendels naar de parkeerleuven.
4. Trek aan de PTO-schakelaar om de motor in te schakelen.
5. Kom langzaam van de zitting af. Het maaideksysteem moet stoppen.
6. Als de bladen niet stoppen wanneer u uit de zitting komt en als de oorzaak niet kan worden vastgesteld, neem dan onmiddellijk contact op met uw Cramer dealer.

4.2 GEBRUIK VAN DE MACHINE

4.2.1 START DE MACHINE

Zie afbeelding 14

i OPMERKING

Maak het gebied vrij van omstanders voordat u de maaier bedient. Als iemand het maaigebied betreedt, stop dan onmiddellijk en ga pas weer maaien als de omstanders het gebied verlaten hebben.

1. Zet het maaidek in de hoogste stand.
2. Steek de start sleutel in en draai de sleutel naar ON.
3. Trek de rechter en linker besturingshendel naar binnen.
4. Trek de PTO-schakelaar van het maaidek omhoog om de bladen te starten voor het maaien.

i OPMERKING

Schakel de bladen alleen in als de besturingshendels in de NEUTRAAL-positie staan! Schakel de bladen NOOIT in als de machine in beweging is!

5. Zet de besturingshendels in de vooruitstand (D) en rijd naar de gewenste maaiplaats.

i OPMERKING

Wees voorzichtig bij het oversteken van grindpaden of opritten. Schakel de bladen uit en zet het maaidek in de hoogste stand voordat u gaat oversteken, om de kans op terugslag te minimaliseren. Rijd langzaam om verlies van tractie en controle te voorkomen.

i OPMERKING

Probeer niet van richting te veranderen terwijl de maaier in beweging is. Kom altijd volledig tot stilstand voordat u de richting van de maaier verandert.

i OPMERKING

Besturingshendels veren terug naar de neutrale stand als u ze loslaat, maar u moet ze nog steeds handmatig bedienen om de neutrale stand te bereiken.

4.2.2 HET BESTUREN VAN DE MACHINE

Gebruik na het starten van de machine de besturingshendels voor het bedienen van de machine:

▲ WAARSCHUWING

Zorg dat u altijd weet wat er achter u gebeurt als u achteruit rijdt. Maai niet achteruit, tenzij het absoluut noodzakelijk is. Kijk altijd naar beneden en naar achteren voor en tijdens het achteruit rijden.

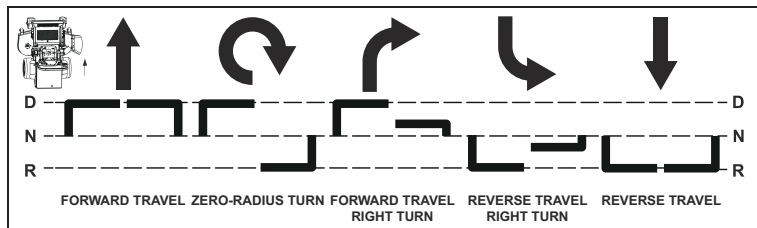
▲ WAARSCHUWING

Het snel bewegen van de besturingshendels wordt afgeraden, omdat dit schade aan de onderdelen van het elektrische systeem kan veroorzaken.

NL

- **Om vooruit te gaan**, duwt u beide besturingshendels even ver naar voren.
- **Om achteruit te gaan**, duwt u beide besturingshendels even ver naar achteren.
- **Om naar links te gaan**, duwt u de rechter besturingshendel verder van de neutrale stand naar voren dan de linker besturingshendel.
- **Om naar rechts te gaan**, duwt u de linker besturingshendel verder van de neutrale stand naar voren dan de rechter besturingshendel.
- **Om een nulstraal draai uit te voeren**, beweeg de ene besturingshendel naar voren en de andere besturingshendel naar achteren. Hierdoor kunnen de aandrijfwielen in tegengestelde richting draaien.
- **Om te stoppen of snelheid te verminderen**, zet de besturingshendels in neutraal. Trek de besturingshendels rustig naar achteren als u vooruit rijdt. Duw de besturingshendels rustig naar voren als u achteruit rijdt.
- **Voor een noodstop**, zijn er twee methoden die gebruikt kunnen worden:
 - Wanneer u vooruit of achteruit rijdt, zet u de besturingshendels onmiddellijk in de parkeerremstand. Duw bij het achteruitrijden de besturingshendels rustig naar voren en vermijd plotselinge bewegingen. Bij een plotselinge beweging kan de voorkant van de maaier loskomen van de grond, waardoor u de controle over de maaier kunt verliezen met ernstig letsel of de dood tot gevolg.
 - Draai de start sleutel in de OFF-positie. Dit zal het aandrijfsysteem en het maaisysteem uitschakelen.
- **Om een driepuntsdraai naar rechts te maken**, duw de linker besturingshendel verder naar voren vanuit neutraal dan de rechter besturingshendel en voltooi de bocht. Trek vervolgens de besturingshendels naar achteren totdat ze voorbij neutraal zijn en de machine zal achteruit gaan. Trek de rechter besturingshendel verder naar achteren vanuit neutraal dan de linker besturingshendel totdat de achterkant van de machine is rondgedraaid. Duw vervolgens de besturingshendels naar voren totdat ze beide voorbij neutraal zijn en de machine vooruit begint te rijden. Duw de linker besturingshendel verder naar voren vanuit neutraal dan de rechter besturingshendel en voltooi de bocht.
- **Om de snelheid te verhogen**, vergroot u de afstand van de besturingshendel vanuit de neutraalstand. Hoe verder de besturingshendels voorwaarts uit de neutraalstand staan, hoe sneller de machine vooruit rijdt. Hoe verder de besturingshendels naar achteren staan vanuit de neutraalstand, hoe sneller de machine achteruit gaat.

VOORKANT VAN DE MAAIER IN DEZE RICHTING



N= NEUTRAAL

D= RIJDEN

R= ACHTERUIT

De pijlen geven de bewegingsrichting van de maaier aan



Linker besturingshendel

Rechter besturingshendel

NL

4.2.3 STOPPEN VAN DE MACHINE

▲ GEVAAR!

Maak nooit plotselinge stuurbewegingen met de machine, vooral niet als u op een helling manoeuvreert. De besturing is ontworpen voor een gevoelige reactie. Een snelle beweging van de besturingshendels in beide richtingen kan resulteren in een snelle reactie van de machine. Dit kan ernstig letsel veroorzaken.

1. Zet de besturingshendels terug in de neutrale stand. Duw de besturingshendels naar buiten in de parkeerremstand.
2. Druk de AAN/UIT-knop (PTO) om de dekbladen uit te schakelen.
3. Draai de sleutel in de stroomschakelaar naar de OFF-positie.

▲ LET OP!

Het wordt aanbevolen de start sleutel uit de machine te verwijderen om te voorkomen dat de machine per ongeluk wordt gestart.

4.2.4 GEBRUIK DE USB-POORT

Zie afbeelding 15

De USB-laadpoort levert een laadvermogen van 5 volt gelijkstroom bij maximaal 2,1 ampère voor uw mobiele telefoon, mp3-speler of andere USB-apparaten. Raadpleeg de gebruikershandleiding van uw apparaat voor specifieke oplaadvereisten.

Sluit het ene uiteinde van een USB-kabel (niet meegeleverd) aan op uw apparaat en het andere uiteinde op de USB-oplaadpoort van de maaier, om te beginnen met het opladen van uw apparaat.

i OPMERKING

Pogingen om apparaten van meer dan 2,1 ampère op te laden kunnen de USB-laadpoort en/of de maaier beschadigen.

i OPMERKING

De USB-poort wordt alleen gevoed wanneer de machine start.

▲ WAARSCHUWING

Gebruik nooit een hoofdtelefoon of een elektronisch apparaat, zoals een smartphone of tablet, terwijl u de maaier bedient. Afgeleide bediening kan leiden tot een ongeval met de dood of ernstig lichamenlijk letsel van de gebruiker of een omstander tot gevolg.

4.2.5 BEDIENING

▲ GEVAAR!

Alvorens de machine te bedienen, moet de gebruiker grondig vertrouwd zijn met het juiste gebruik en de juiste werking van de apparatuur, de handleiding volledig en grondig lezen en manoeuvres met lage snelheid hebben uitgevoerd om vertrouwd te raken met de werking van de apparatuur alvorens de machine met normale snelheid te bedienen. Een onervaren gebruiker mag niet maaien op hellingen of op oneffen terrein.

▲ WAARSCHUWING

Als u tijdens het gebruik van de machine de controle over het stuur verliest, zet u de besturingshendels onmiddellijk in de parkeerremstand en draait u de sleutel in de OFF-positie. Inspecteer de machine en raadpleeg uw Cramer dealer om het probleem op te lossen alvorens verder te werken.

▲ WAARSCHUWING

De besturingshendels van de machine reageren zeer gevoelig. Voor een soepele werking, beweeg de hendels langzaam en vermijd plotselinge bewegingen. Vaardigheid en bedieningsgemak komen met oefening en ervaring. De machine kan heel snel draaien. Wees voorzichtig bij het maken van bochten en rem af voordat u scherpe bochten maakt.

Onervaren gebruikers kunnen de neiging hebben te oversturen en de controle te verliezen. Oefenmanoeuvres met lage snelheid worden aanbevolen om vertrouwd te raken met deze kenmerken voordat u met normale snelheid gaat rijden.

▲ WAARSCHUWING

Kuilen of verhoogde obstakels (zoals goten of stoepranden) mogen niet rechtstreeks met hoge snelheid worden benaderd in een poging erover te "springen", aangezien hierdoor de gebruiker uit de machine kan worden geslingerd. Nader met een lage snelheid en richt één aandrijf wiel op de hindernis. Ga schuin door tot het wiel vrij is en draai dan het tegenoverliggende wiel rond.

Bij het draaien op een zachte of natte ondergrond, beide wielen naar voren of naar achteren laten rollen. Draaien op een gestopt wiel kan de grasmat beschadigen. Hou de bladen scherp. Veel problemen met onjuiste snijpatronen zijn te wijten aan botte bladen of bladen die verkeerd zijn geslepen. De scherpte van het blad moet dagelijks worden gecontroleerd.

▲ GEVAAR!

Werk nooit met bladen terwijl de sleutel in het contactslot zit. Zet de schakelaar voor het aan/uitzetten van de maaibladen (PTO) altijd in de OFF-positie, zet de besturingshendels in de parkeerremstand en draai de sleutel in de UIT-stand en verwijder de sleutel uit de schakelaar. Blokkeer de maaier als u eronder moet werken. Draag handschoenen bij het hanteren van bladen. Controleer altijd of het blad beschadigd is als de maaier tijdens het maaien een steen, tak of ander vreemd voorwerp raakt.

- **Directe grasafvoer naar rechts**, weg van ongemaaid gebied. Kies een maaipatroon dat de grasafvoer naar de buitenkant van het maaigebied leidt. Over het algemeen betekent dit een patroon met bochten naar links, omdat zijafvoer naar rechts is. Vermijd in elk geval dat grasafval op ongemaaid terrein wordt gegooid, omdat het gras dan "dubbel" wordt gemaaid Twee keer maaien belast de machine onnodig en vermindert de maai-efficiëntie.
- **Als u voor het eerst een gazon maait**, maai het gras dan iets langer dan normaal om oneffenheden in het terrein te voorkomen. Indien mogelijk kunt u het best de maaihoogte gebruiken die in het verleden werd gebruikt. Wanneer u gras maait dat hoger is dan 152 mm, kunt u het gazon tweemaal maaien voor een betere maai-kwaliteit.
- **Bij normaal maaien**, maait u ongeveer 38 mm af. Meer maaien is niet aan te bevelen, tenzij het gras schaars is of het einde van het maaiseizoen is.
- **Wissel het maaipatroon af tussen de maaibeurtten** om het gras recht te laten groeien en het maaisel beter te verspreiden.
- **Denk eraan, gras groeit met verschillende snelheden** in verschillende tijden van het jaar. Maai in het vroege voorjaar vaker om dezelfde maaihoogte te behouden. Als de groei halverwege de zomer vertraagt, moet u

minder vaak maaien. Als u niet regelmatig kunt maaien, maai dan eerst op een hoge maaihoogte en twee dagen later nog eens op een lagere maaihoogte.

- **Verhoog de maaihoogte van de maaier** als de maaibreedte van de maaier breder is dan die van de vorige maaier. Dit zorgt ervoor dat ongelijke graszoden niet te kort worden gesneden.
- **Verhoog de maaihoogte van de maaier** als het gras iets hoger is dan normaal of als het veel vocht bevat. Maai het dan opnieuw met de maaihoogte lager ingesteld.
- **Als de voorwaartse beweging van de machine moet worden gestopt** tijdens het maaien kan er een kluit gras op uw gazon vallen. Om dit te voorkomen, gaat u naar een eerder gemaaid gebied met de bladen ingeschakeld.
- **Laad de accu onmiddellijk op** als het accuvermogen van de machine lager is dan 5%.

Model nr.	Accucapaciteit	Actie	Accucapaciteit	Actie
82ZT107	≤5%	De maximale rijsnelheid is 6,4 km/h.	≤5%	Het blad zal automatisch stoppen. De machine moet onmiddellijk worden teruggebracht naar de oplaadruimte voor de accu's en moet worden aangesloten op de acculader.

- **Laat de motoren 30 minuten afkoelen.** Als de aandrijfmotor de geprogrammeerde temperatuur overschrijdt, zal het motortoerental afnemen. Als de temperatuur blijft stijgen, zal de aandrijving uitschakelen bij een hogere geprogrammeerde temperatuur.

4.2.6 GEBRUIK OP EEN HELLING

Zie afbeelding 16

Hellingen zijn een belangrijke factor in verband met verlies van controle en kantelongevallen, die ernstig letsel of de dood tot gevolg kunnen hebben. Het gebruik op alle hellingen vereist extra voorzichtigheid. Als u de helling niet kunt oprijden of als u zich niet op uw gemak voelt, maai de helling dan niet.

- Rijd op hellingen in de door de fabrikant aanbevolen richting. Wees voorzichtig in de buurt van gaten in het terrein.
- Gebruik de machine niet onder omstandigheden waarbij tractie, besturing of stabiliteit in het geding is. Banden kunnen wegglijden, zelfs als de wielen stilstaan.
- Houd de machine altijd in de versnelling bij het afdalen van hellingen. Niet laten uitrollen.
- Wees uiterst voorzichtig bij het werken op hellingen.
- Verwijder of wijzig geen wielen.
- Kijk uit voor gaten, spoorvorming, hobbels, stenen of andere verborgen voorwerpen. Oneffen terrein kan de machine doen kantelen. Hoog gras kan obstakels verbergen.
- Verwijder obstakels zoals stenen, boomtakken, afval etc.
- Laat alle bewegingen op hellingen langzaam en geleidelijk verlopen. Maak geen plotselinge veranderingen in snelheid of richting.
- Vermijd starten en stoppen op een helling. Als de banden hun grip verliezen, schakel dan de bladen uit en ga langzaam rechtuit de helling af.
- Maai op een veilige afstand (minimaal 3 meter) van afwateringen, sloten, taluds, water en andere soorten gevaren om te voorkomen dat de machine in onbalans raakt of dat de grond wegbreekt. Dit vermindert het risico dat de machine plotseling omrolt, wat ernstig letsel of de dood tot gevolg kan hebben.
- Gebruik een normale loopmaaier, duwmaaier of handtrimmer op hellingen en in de buurt van afhellende vlakken, afwateringen, sloten, taluds en water.
- Maai niet op nat gras. Verminderde tractie kan leiden tot slippen en verlies van controle veroorzaken.
- Zorg dat u niets sleept op een hellend vlak. Het gewicht van het getrokken materieel kan verlies van tractie en controle veroorzaken.
- Als de banden van de maaier bij gebruik op hellingen hun grip verliezen, schakel dan de maaidekaandrijving uit, zet de besturingshendels in de parkeerremstand, draai de start sleutel in de OFF-positie, verwijder de sleutel en haal hulp.

- Maak nooit plotselinge stops, starts, bochten en richtingveranderingen met de machine, vooral niet als u op een helling manoeuvreert. De besturing is ontworpen voor een gevoelige reactie. Een snelle beweging van de besturingshendels in beide richtingen kan resulteren in een snelle reactie van de machine. Dit kan ernstig letsel veroorzaken.
- Stop nooit plotseling als u van een helling afrijdt. Deze actie kan leiden tot een reactie van de machine die ernstig lichamenlijk letsel kan veroorzaken.
- De Cramer maaier is in staat om horizontaal te werken (traverse) op matige hellingen. Let bij het werken op hellingen tot 15 graden op alle omstandigheden die ertoe kunnen leiden dat de aandrijfbanden van de maaier hun tractie verliezen, wat kan leiden tot verlies van controle over de machine. Een gebruiker mag niet op een helling werken voordat hij grondig vertrouwd is met de machine.

Niet gebruiken op hellingen van meer dan 15 graden.

Raadpleeg de hellinggids bij het bepalen van de te maaien helling. Het wordt ten sterkste aanbevolen dat de gebruiker de helling met uiterste voorzichtigheid verlaat, indien er tekenen van verlies van tractie worden waargenomen. Wacht tot de toestand die het probleem veroorzaakte is opgelost voordat u weer op de helling probeert te werken. Terreingesteldheid kan de tractie beïnvloeden, wat kan leiden tot verlies van controle over de machine. Let bijzonder goed op onder de volgende omstandigheden:

1. Nat terrein
2. Kuilen in de grond (bv. gaten, rijsporen, uitwassen)
3. Opgehoopt vuil
4. Bepaalde grondsoorten (bv. zand, los vuil, grind, klei)
5. Grassoort, -dichtheid en -hoogte
6. Extreem droge omstandigheden
7. Onjuiste bandenspanning

De op de maaier gemonteerde hulpstukken zijn ook van invloed op de manier waarop de machine zich op een helling gedraagt. Wees u ervan bewust dat de kenmerken van de hulpstukken verschillen.

Dit zijn slechts enkele voorbeelden van situaties waarin voorzichtigheid geboden is bij het werken op een helling. Er zijn nog veel meer situaties die het werken op een helling gevaarlijk maken. Wees altijd uiterst voorzichtig bij het werken op een helling.

5 ELEKTRISCH SYSTEEM

5.1 VEILIGHEID ELEKTRISCH SYSTEEM

- Verwijder de sleutel en de accu's, en lees de gebruikershandleiding voordat u de machine aanpast of repareert.
- Verwijder altijd de sleutel en de accu's alvorens aan de machine te werken.
- Verwijder altijd de sleutel en de accu's wanneer u de machine vervoert.
- Houd de machine vrij van grasresten, bladeren en ander afval. Sproei GEEN water om de machine te reinigen. Gebruik alleen perslucht. Draag geschikte oog- en gehoorbescherming wanneer u de machine reinigt.
- Draag altijd een veiligheidsbril en beschermende kleding in de buurt van de accu. Gebruik geïsoleerd gereedschap.
- Maak het accuvak, het aandrijfmotorcompartiment, het maaidek, de zitting, etc. schoon van alle vuil en afval. Gebruik geen oplosmiddelen, agressieve reinigingsmiddelen of schuurmiddelen.
- Met de sleutel in de stand ON kan het maaiblad worden ingeschakeld wanneer de AAN/UIT-schakelaar (PTO) van het maaidek is

ingeschakeld, zelfs als de aandrijfmotor niet draait. Houd het gebied vrij van omstanders wanneer u de AAN/UIT-schakelaar van het maaidek inschakelt.

- Alle onderhouds- en opslagruimten moeten naar behoren worden geventileerd overeenkomstig de toepasselijke brandvoorschriften en -verordeningen om brandgevaar te voorkomen.
- Laat nooit vlammen, vonken of roken toe in de buurt van accu's.
- Houd accu's buiten bereik van kinderen.
- Houd beschermkappen, afdekkingen en afschermingen altijd op hun plaats en goed gesloten. Als ze beschadigd raken, moeten ze onmiddellijk worden gerepareerd of vervangen. Wijzig of verwijder nooit veiligheidsvoorzieningen.

5.2 INFORMATIE OVER HET ELEKTRISCH SYSTEEM

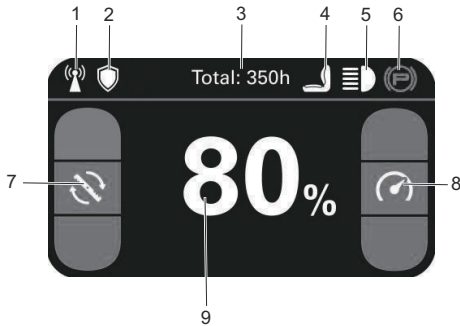
De Cramer maaier wordt aangedreven door een 82-volt elektrisch systeem. Het bestaat uit de volgende onderdelen:

1. Bladcontroller (1)
2. Bladmotor (2)
3. Rijcontroller (1)
4. Versneller - rechts (1)
5. Versneller - links (1)

- 6. Digitaal display (1)
- 7. Wielen motor (2)
- 8. Accupack (1)

5.3 DIGITAAL DISPLAY

De functie van het digitale display, dat zich op het bedieningspaneel bevindt, is het verstrekken van elektrische systeem informatie aan de gebruiker. Het geeft gedetailleerde informatie in de vorm symbolen, codes en nummers.



#	Naam	Functie
1		4G GPS-signaal
2		GreenShield
3	Totaal : 350h	Werktijd voertuig
4		De zittingschakelaar is gesloten.
5		Ledverlichting
6		De parkeerrem is aangetrokken.
7		Bladsnelheid
8		Rijsnelheid
9	80%	Accupercentage

6 FOUTEN

Het CANBUS-systeem zal actie ondernemen om de gebruiker en de machine te beschermen wanneer het een probleem detecteert. Wanneer de machine of een onderdeel wordt uitgeschakeld, geeft hij aan dat er een fout is opgetreden, en die fout wordt op het digitale display weergegeven. Alle elektrische fouten hebben een lettercode gevolgd door een nummer. De eerste letter beschrijft het systeem dat de fout heeft veroorzaakt volgens dit schema:

Naam	Betekenis
TR	Rechter rijcontroller en motor
TL	Linker rijcontroller en motor
PMU	Power Management Unit (in accuvak)
ML	Linker blad motorcontroller
MR	Rechter blad motorcontroller

6.1 FOUTCODE

Foutcode	Beschrijving	Oplossing
TR1	Motor positioneringsfout	Herstart de stroomvoorziening.
TR2	Aandrijfmotor vastgelopen	Controleer of de aandrijfwielen vastzitten en herstart de stroomvoorziening.
TR3	Bescherming tegen lage snelheid van de motor	Herstart de stroomvoorziening.
TR4	Bescherming tegen te hoog toerental van de motor	Herstart de stroomvoorziening.
TR5	Motor Hall-sensor fout	Controleer of de Hall-effect connector van de rijcontroller goed is aangesloten, en start dan de stroomvoorziening opnieuw op.
TR6	Faseverlies van de controller	Controleer of de motorkabels van de rijcontroller correct zijn aangesloten, en start dan de stroomvoorziening opnieuw op.
TR7	MOSFET open circuit fout	Als u dit probleem tegenkomt, neem dan contact op met uw distributeur voor een oplossing.
TR8	Controller onderspanning	De spanning is te laag. Laad het accupack op voor gebruik.
TR9	Controller overspanning	De spanning is te hoog. Herstart de stroomvoorziening.
TR10	Accu lage temperatuur	De temperatuur van het accuvak en de accu is te laag. Gebruik de machine bij een geschikte temperatuur en start de stroomvoorziening opnieuw op.
TR11	PMU overtemperatuur Hoge accu-temperatuur	De temperatuur van het accuvak en de accu is te hoog. Wacht tot de accu is afgekoeld en start dan de stroomvoorziening opnieuw op.
TR12	Te hoge motortemperatuur	De ingestelde temperatuur is te hoog. Wacht tot de motor is afgekoeld en start dan de stroomvoorziening opnieuw.
TR13	Overtemperatuur van de controller	De temperatuur van de controller is te hoog. Wacht tot de controller is afgekoeld en start dan de stroomvoorziening opnieuw op.
TR14	Software overstroom	De belasting is te hoog. Herstart de stroomvoorziening.
TR15	Hardware overstroom	De belasting is te hoog. Herstart de stroomvoorziening.
TR16	Fout in de snelheidscontroller	Controleer of de snelheidsregelaar van de handgreep goed is aangesloten, en start dan de stroomvoorziening opnieuw op.
TR17	Controller pre-charge fout	Herstart de stroomvoorziening.
TR18	Remfout	Herstart de stroomvoorziening.
TR19	Fout in bedieningsvolgorde	Zet de linker en rechter handgreep in de parkeerstand en de bladstartschakelaar in de OFF-positie. Ga zitten en probeer het opnieuw.
TR20	Fout in de hoeksensor	Herstart de stroomvoorziening.
TR21	Relaisfout	Herstart de stroomvoorziening.
TR22	Magnetische klepfout	Controleer of de magneetklep van de aandrijfmotor goed is aangesloten, en start dan de stroomvoorziening opnieuw.
TR23	Communicatiestoring in het accuvak (PMU)	Communicatiestoring met het accuvak. Herstart de stroomvoorziening.

Foutcode	Beschrijving	Oplossing
TR24	Defect accuvak (PMU)	Kleine/grote fout in het accuvak. Voer een controle uit en start de stroomvoorziening opnieuw op.
TR25	CAN time-out fout - linker aandrijving	Communicatiestoring met de linker rijcontroller. Herstart de stroomvoorziening.
TR26	CAN time-out fout - rechter aandrijving	Communicatiestoring met de rechter rijcontroller. Herstart de stroomvoorziening.
TR27	CAN time-out fout - linker blad	Communicatiestoring met de linker bladcontroller. Herstart de stroomvoorziening.
TR28	CAN time-out fout - centraal blad	Communicatiestoring met de centrale bladcontroller. Herstart de stroomvoorziening.
TR29	CAN time-out fout - rechter blad	Communicatiestoring met de rechter bladcontroller. Herstart de stroomvoorziening.
TR30	Fout in de klep van het accuvak	Controleer of de connector onder de zitting goed is aangesloten, en start dan de stroomvoorziening opnieuw.
TR31	Fout bij de verificatie van de zitting-schakelaar	Controleer of de connector onder de zitting goed is aangesloten, en start dan de stroomvoorziening opnieuw.
TR32	Software verificatiefout	Herstart de stroomvoorziening.
TL1	Motor positioneringsfout	Herstart de stroomvoorziening.
TL2	Aandrijfmotor vastgelopen	Controleer of de aandrijfwielen vastzitten en herstart de stroomvoorziening.
TL3	Bescherming tegen te lage snelheid van de motor	Herstart de stroomvoorziening.
TL4	Bescherming tegen te hoog toerental van de motor	Herstart de stroomvoorziening.
TL5	Motor Hall-sensor fout	Controleer of de Hall-effect connector van de rijcontroller goed is aangesloten, en start dan de stroomvoorziening opnieuw op.
TL6	Faseverlies van de controller	Controleer of de motorkabels van de rijcontroller correct zijn aangesloten, en start dan de stroomvoorziening opnieuw op.
TL7	MOSFET open circuit fout	Als u dit probleem tegenkomt, neem dan contact op met uw distributeur voor een oplossing.
TL8	Controller onderspanning	De spanning is te laag. Laad het accupack op voor gebruik.
TL9	Controller overspanning	De spanning is te hoog. Herstart de stroomvoorziening.
TL10	Accu lage temperatuur	De temperatuur van het accuvak en de accu is te laag. Gebruik de machine bij een geschikte temperatuur en start de stroomvoorziening opnieuw op.
TL11	PMU overtemperatuur Hoge accu-temperatuur	De temperatuur van het accuvak en de accu is te hoog. Wacht tot de accu is afgekoeld en start dan de stroomvoorziening opnieuw op.
TL12	Te hoge motortemperatuur	De ingestelde temperatuur is te hoog. Wacht tot de motor is afgekoeld en start dan de stroomvoorziening opnieuw.
TL13	Overtemperatuur van de controller	De temperatuur van de controller is te hoog. Wacht tot de controller is afgekoeld en start dan de stroomvoorziening opnieuw op.
TL14	Software overstroom	De belasting is te hoog. Herstart de stroomvoorziening.

Foutcode	Beschrijving	Oplossing
TL15	Hardware overstroom	De belasting is te hoog. Herstart de stroomvoorziening.
TL16	Fout in de snelheidscontroller	Controleer of de snelheidsregelaar van de handgreep goed is aangesloten, en start dan de stroomvoorziening opnieuw op.
TL17	Controller pre-charge fout	Herstart de stroomvoorziening.
TL18	Remfout	Herstart de stroomvoorziening.
TL19	Fout in bedieningsvolgorde	Zet de linker en rechter handgreep in de parkeerstand en de bladstartschakelaar in de OFF-positie. Ga zitten en probeer het opnieuw.
TL20	Fout in de hoeksensor	Herstart de stroomvoorziening.
TL21	Relaisfout	Herstart de stroomvoorziening.
TL22	Magnetische klepfout	Controleer of de magneetklep van de aandrijfmotor goed is aangesloten, en start dan de stroomvoorziening opnieuw.
TL23	Communicatiestoring in het accu- vak (PMU)	Communicatiestoring met het accuvak. Herstart de stroomvoorziening.
TL24	Defect accuvak (PMU)	Kleine/grote fout in het accuvak. Voer een controle uit en start de stroomvoorziening opnieuw op.
TL25	CAN time-out fout - linker aandrijving	Communicatiestoring met de linker rijcontroller. Herstart de stroomvoorziening.
TL26	CAN time-out fout - rechter aandrijving	Communicatiestoring met de rechter rijcontroller. Herstart de stroomvoorziening.
TL27	CAN time-out fout - linker blad	Communicatiestoring met de linker bladcontroller. Herstart de stroomvoorziening.
TL28	CAN time-out fout - centraal blad	Communicatiestoring met de centrale bladcontroller. Herstart de stroomvoorziening.
TL29	CAN time-out fout - rechter blad	Communicatiestoring met de rechter bladcontroller. Herstart de stroomvoorziening.
TL30	Fout in de klep van het accuvak	Controleer of de connector onder de zitting goed is aangesloten, en start dan de stroomvoorziening opnieuw.
TL31	Fout bij de verificatie van de zitting- schakelaar	Controleer of de connector onder de zitting goed is aangesloten, en start dan de stroomvoorziening opnieuw.
TL32	Software verificatiefout	Herstart de stroomvoorziening.
ML1	Motor positioneringsfout	Herstart de stroomvoorziening.
ML2	Bladmotor vastgelopen	Controleer de maaibelasting en zet de bladstartschakelaar terug in de uitgangspositie.
ML3	Bescherming tegen lage snelheid van de motor	Herstart de stroomvoorziening.
ML4	Bescherming tegen te hoog toeren- tal van de motor	Herstart de stroomvoorziening.
ML5	Motor Hall-sensor fout	Controleer of de Hall-effect connector van de bladcontroller goed is aangesloten, en start dan de stroomvoorziening opnieuw op.
ML6	Faseverlies van de controller	Controleer of de motorkabels van de rijcontroller correct zijn aangesloten, en start dan de stroomvoorziening opnieuw op.

Foutcode	Beschrijving	Oplossing
ML7	MOSFET open circuit fout	Als u dit probleem tegenkomt, neem dan contact op met uw distributeur voor een oplossing.
ML8	Controller onderspanning	De spanning is te laag. Laad het accupack op voor gebruik.
ML9	Controller overspanning	De spanning is te hoog. Herstart de stroomvoorziening.
ML10	Accu lage temperatuur	De temperatuur van het accuvak en de accu is te laag. Gebruik de machine bij een geschikte temperatuur en start de stroomvoorziening opnieuw op.
ML11	PMU overtemperatuur Hoge accu-temperatuur	De temperatuur van het accuvak en de accu is te hoog. Wacht tot de accu is afgekoeld en start dan de stroomvoorziening opnieuw op.
ML12	Te hoge motortemperatuur	De ingestelde temperatuur is te hoog. Wacht tot de motor is afgekoeld en start dan de stroomvoorziening opnieuw.
ML13	Overtemperatuur van de controller	De temperatuur van de controller is te hoog. Wacht tot de controller is afgekoeld en start dan de stroomvoorziening opnieuw op.
ML14	Software overstroom	De belasting is te hoog. Herstart de stroomvoorziening.
ML15	Hardware overstroom	De belasting is te hoog. Herstart de stroomvoorziening.
ML16	Fout in de snelheidscontroller	Controleer of de snelheidsregelaar van de handgreep goed is aangesloten, en start dan de stroomvoorziening opnieuw op.
ML17	Controller pre-charge fout	Herstart de stroomvoorziening.
ML18	Remfout	Herstart de stroomvoorziening.
ML19	Fout in bedieningsvolgorde	Zet de linker en rechter handgreep in de parkeerstand en de bladstartschakelaar in de OFF-positie. Ga zitten en probeer het opnieuw.
ML20	Fout in de hoeksensor	Herstart de stroomvoorziening.
ML21	Relaisfout	Herstart de stroomvoorziening.
ML22	Magnetische klepfout	Controleer of de magneetklep van de motor goed is aangesloten, en start dan de stroomvoorziening opnieuw.
ML23	Communicatiestoring in het accuvak (PMU)	Communicatiestoring met het accuvak. Herstart de stroomvoorziening.
ML24	Defect accuvak (PMU)	Kleine/grote fout in het accuvak. Voer een controle uit en start de stroomvoorziening opnieuw op.
ML25	CAN time-out fout - linker aandrijving	Communicatiestoring met de linker rijcontroller. Herstart de stroomvoorziening.
ML26	CAN time-out fout - rechter aandrijving	Communicatiestoring met de rechter rijcontroller. Herstart de stroomvoorziening.
ML27	CAN time-out fout - linker blad	Communicatiestoring met de linker bladcontroller. Herstart de stroomvoorziening.
ML28	CAN time-out fout - centraal blad	Communicatiestoring met de centrale bladcontroller. Herstart de stroomvoorziening.
ML29	CAN time-out fout - rechter blad	Communicatiestoring met de rechter bladcontroller. Herstart de stroomvoorziening.
ML30	Fout in de klep van het accuvak	Controleer of de connector onder de zitting goed is aangesloten, en start dan de stroomvoorziening opnieuw.

Foutcode	Beschrijving	Oplossing
ML31	Kan het bladsignaal niet verifiëren	Controleer of de bladstartschakelaar correct is aangesloten, en zet de schakelaar vervolgens terug in de uitgangspositie.
ML32	Software verificatiefout	Herstart de stroomvoorziening.
MR1	Motor positioneringsfout	Herstart de stroomvoorziening.
MR2	Bladmotor vastgelopen	Controleer de maai-belasting en zet de bladstartschakelaar terug in de uitgangspositie.
MR3	Bescherming tegen lage snelheid van de motor	Herstart de stroomvoorziening.
MR4	Bescherming tegen te hoog toerental van de motor	Herstart de stroomvoorziening.
MR5	Motor Hall-sensor fout	Controleer of de Hall-effect connector van de bladcontroller goed is aangesloten, en start dan de stroomvoorziening opnieuw op.
MR6	Faseverlies van de controller	Controleer of de motorkabels van de rijcontroller correct zijn aangesloten, en start dan de stroomvoorziening opnieuw op.
MR7	MOSFET open circuit fout	Als u dit probleem tegenkomt, neem dan contact op met uw distributeur voor een oplossing.
MR8	Controller onderspanning	De spanning is te laag. Laad het accupack op voor gebruik.
MR9	Controller overspanning	De spanning is te hoog. Herstart de stroomvoorziening.
MR10	Accu lage temperatuur	De temperatuur van het accuvak en de accu is te laag. Gebruik de machine bij een geschikte temperatuur en start de stroomvoorziening opnieuw op.
MR11	PMU overtemperatuur Hoge accu-temperatuur	De temperatuur van het accuvak en de accu is te hoog. Wacht tot de accu is afgekoeld en start dan de stroomvoorziening opnieuw op.
MR12	Te hoge motortemperatuur	De ingestelde temperatuur is te hoog. Wacht tot de motor is afgekoeld en start dan de stroomvoorziening opnieuw.
MR13	Overtemperatuur van de controller	De temperatuur van de controller is te hoog. Wacht tot de controller is afgekoeld en start dan de stroomvoorziening opnieuw op.
MR14	Software overstroom	De belasting is te hoog. Herstart de stroomvoorziening.
MR15	Hardware overstroom	De belasting is te hoog. Herstart de stroomvoorziening.
MR16	Fout in de snelheidscontroller	Controleer of de snelheidsregelaar van de handgreep goed is aangesloten, en start dan de stroomvoorziening opnieuw op.
MR17	Controller pre-charge fout	Herstart de stroomvoorziening.
MR18	Remfout	Herstart de stroomvoorziening.
MR19	Fout in bedieningsvolgorde	Zet de linker en rechter handgreep in de parkeerstand en de bladstartschakelaar in de OFF-positie. Ga zitten en probeer het opnieuw.
MR20	Fout in de hoeksensor	Herstart de stroomvoorziening.
MR21	Relaisfout	Herstart de stroomvoorziening.
MR22	Magnetische klepfout	Controleer of de magneetklep van de motor goed is aangesloten, en start dan de stroomvoorziening opnieuw.

Foutcode	Beschrijving	Oplossing
MR23	Communicatiestoring in het accuvak (PMU)	Communicatiestoring met het accuvak. Herstart de stroomvoorziening.
MR24	Defect accuvak (PMU)	Kleine/grote fout in het accuvak. Voer een controle uit en start de stroomvoorziening opnieuw op.
MR25	CAN time-out fout - linker aandrijving	Communicatiestoring met de linker rijcontroller. Herstart de stroomvoorziening.
MR26	CAN time-out fout - rechter aandrijving	Communicatiestoring met de rechter rijcontroller. Herstart de stroomvoorziening.
MR27	CAN time-out fout - linker blad	Communicatiestoring met de linker bladcontroller. Herstart de stroomvoorziening.
MR28	CAN time-out fout - centraal blad	Communicatiestoring met de centrale bladcontroller. Herstart de stroomvoorziening.
MR29	CAN time-out fout - rechter blad	Communicatiestoring met de rechter bladcontroller. Herstart de stroomvoorziening.
MR30	Fout in de klep van het accuvak	Controleer of de connector onder de zitting goed is aangesloten, en start dan de stroomvoorziening opnieuw.
MR31	Kan het bladsignaal niet verifiëren	Controleer of de bladstartschakelaar correct is aangesloten, en zet de schakelaar vervolgens terug in de uitgangspositie.
MR32	Software verificatiefout	Herstart de stroomvoorziening.
PMU10	Open circuit in accupack in PMU	Niet aangesloten accupack in het accuvak; de prestaties van de machine kunnen worden beïnvloed.
PMU11	PMU kleine fout	Door een kleine fout in het accuvak kon het bladsysteem niet starten. Wacht tot het systeem zich herstelt en stel dan de bladstartschakelaar opnieuw in.
PMU12	PMU kritieke fout	Door een grote fout in het accuvak konden de aandrijving en het bladsysteem niet starten. Start de stroomvoorziening opnieuw en probeer het opnieuw.
PMU13	PMU geen accupack beschikbaar	Controleer of u het juiste accupack gebruikt, en start vervolgens de stroomvoorziening opnieuw op.

7 ONDERHOUD

7.1 ONDERHOUD VAN DE MAAIBLADEN

Controleer de maaibladen dagelijks. Zij zijn de sleutel tot vermogensefficiëntie en een goed verzorgde grasmat. Houd de bladen scherp - een bot blad scheurt het gras in plaats van het te snijden, waardoor er binnen een paar uur een bruine rafelige top op het gras achterblijft. Een bot blad vergt ook meer kracht. Vervang elk blad dat verbogen, gebarsten of gebroken is.

▲ WAARSCHUWING

Probeer nooit een gebogen blad recht te maken door het te verhitten, of een gescheurd of gebroken blad te lassen, want het blad kan breken en ernstig letsel veroorzaken. Vervang versleten of beschadigde bladen.

▲ WAARSCHUWING

Werk nooit met bladen terwijl de sleutel in het contactslot zit. Draai de sleutel in de OFF-positie, verwijder de accu's uit de machine. Blokkeer de maaier als u eronder moet werken. Draag handschoenen bij het hanteren van bladen. Controleer altijd op beschadiging van het blad als de maaier een steen, een tak of andere vreemde voorwerpen raakt!

▲ GEVAAR!

Het bijwerken van de scherpte van het blad kan met een vijl. Controleer de bladen op balans na het slijpen. Een in de handel verkrijgbaar balanceerwerktuig is verkrijgbaar bij de meeste ijzerwinkels, of u kunt het blad uitbalanceren door het op een omgekeerde lijnpons of een 12,7 mm bout te plaatsen. De balans van het blad mag niet overhellen of kantelen. Terwijl u het blad langzaam ronddraait, mag het niet wiebelen. Als het blad uit balans is, moet u het uitlijnen voordat u het opnieuw installeert. Leg het blad op een vlakke ondergrond en controleer op vervorming. Vervang elk vervormd blad.

▲ WAARSCHUWING

- Het gebogen deel van het blad moet omhoog wijzen naar de binnenkant van het maaidek om goed te kunnen maaien.
- Wanneer u bladen monteert, moet u ze na montage draaien om ervoor te zorgen dat de bladpunten elkaar of de zijkanten van de maaier niet raken.
- Als de bout niet correct wordt aangedraaid, kan het blad verloren gaan, wat ernstig letsel kan veroorzaken.
- Maaibladen zijn scherp en kunnen snijden. Draag handschoenen en wees extra voorzichtig bij het onderhoud.

7.1.1 VERVANG HET BLAD

Zie afbeelding 17

1. Stop de motor, verwijder de startsleutel en stel de parkeerrem in werking.
2. Verhoog de hoogte van het maaidek tot de hoogste stand om toegang tot de bladen mogelijk te maken.

i OPMERKING

Breng de maaier zo nodig omhoog door hem op een lift te zetten of door een krik en kriksteunen te gebruiken, of verwijder het maaidek zoals beschreven in het vorige hoofdstuk om toegang te krijgen tot de bladen.

▲ WAARSCHUWING

Als u de maaier optilt om bij de bladen te komen, moet u ervoor zorgen dat de maaier goed staat en dat de parkeerrem is ingeschakeld voordat u verder gaat. Als u de maaier niet goed vastzet, kan deze vallen, met de dood of mogelijk ernstig lichamelijk letsel tot gevolg.

3. Klem een blok hout tussen het blad en het maaidek om te voorkomen dat het blad draait.
4. Draai de bladmoer los door hem linksom te draaien (gezien vanaf de onderkant van de maaier) met behulp van een 16 mm sleutel of dopsleutel (niet meegeleverd).
5. Verwijder de bladmoer, spacer, bladisolator en het blad.
6. Schroef de bladmoer op de as en draai hem handvast.
7. Draai de bladmoer met de klok mee vast met een momentsleutel (niet meegeleverd) om er zeker van te zijn dat de bout goed vastzit. Het aanbevolen aanhaalmoment voor de moer is 90 Nm~ 100 Nm.

▲ WAARSCHUWING

Zorg ervoor dat het blad goed zit en dat de moer van het blad is vastgedraaid met het bovenstaande koppel. Als u het blad niet correct bevestigt, kan het losraken en mogelijk ernstig persoonlijk letsel veroorzaken.

8. Herhaal dit zo nodig met het tweede blad.

i OPMERKING

Zorg ervoor dat alle onderdelen in de juiste volgorde worden teruggeplaatst.

7.2 BANDEN

Voor vlak maaien is het belangrijk dat alle banden de juiste bandenspanning hebben. De aanbevolen druk is:

i OPMERKING

De bandenspanning mag alleen worden gemeten of aangepast als de banden koud zijn.

Engels

Aandrijfwielen	8 psi
Zwenkwielen	37 psi

i OPMERKING

Inspecteer de banden dagelijks. Bij beschadiging onmiddellijk vervangen.

▲ WAARSCHUWING

Controleer de bandenspanning zorgvuldig tijdens het oppompen. Als er te veel lucht in de band zit, kan de band barsten en ernstig persoonlijk letsel veroorzaken.

7.3 SMERING

Zie afbeelding 19

Voeg olie toe voor gebruik.

Type olie	SAE85W-140
Oliecapaciteit	180 ml

Neem contact op met uw Cramer dealer om de smering te vervangen.

i OPMERKING

Vervang de versnellingsbakolie nadat u de machine voor het eerst 50 uur hebt gebruikt en vervang de olie vervolgens om de 200 uur.

7.4 KOPPELWAARDEN

▲ WAARSCHUWING

Bijzondere aandacht moet worden besteed aan het aandraaien van de wielmoeren van het aandrijf wiel en de bouten van het blad. Als u deze items niet correct aandraait, kan dit leiden tot verlies van een wiel of blad, wat ernstige schade of persoonlijk letsel kan veroorzaken.

De aanhaalmomenten worden hieronder gegeven:

Onderdeel	Ft-lbs.	Nm
Wielmoeren	89	120
Bladbout	66	90

Alleen wielmoeren -Aanbevolen wordt deze te controleren na de eerste 2 bedrijfsuren, in het begin, om de 100 uur en na verwijdering voor reparatie of vervanging.

7.5 ONDERHOUD VAN HET ACCUPACK

Uw Cramer maaier wordt aangedreven door een accupack die, mits goed onderhouden, jarenlang meegaat. Volg de volgende instructies voor het juiste onderhoud:

- Laad de accu's altijd op na elk gebruik.
- Wanneer een accupack volledig is ontladen en uitgeschakeld, kunt u de accu het beste zo snel mogelijk weer opladen. Overmatige ontlading van het accupack betekent dat de levensduur van de accu wordt verkort en dat de accu permanent beschadigd kan raken. Het is niet nodig om het accupack volledig op te laden; zelfs als u de accu slechts 5-10 minuten oplaadt, is dit al voldoende. Het is het beste om het binnen 24 uur op te laden.
- Voorkom dat gras, vuil en afval zich in de buurt van de accupolen en in de buurt van de accu verzamelen.
- Laad de accu's binnenshuis op in een goed geventileerde en droge ruimte, uit de buurt van vonken of vlammen. Stel de lader nooit bloot aan regen, damp of vloeistof.
- Laad alleen lithiumaccu's geleverd door Cramer.

- Raak het ongeïsoleerde deel van de lader (aansluitpinnen) of van de uitgangconnector niet aan.
- Niet gebruiken met defecte snoeren en draden. Vervang defecte snoeren en draden onmiddellijk.
- Voor langdurige opslag, zorg voor een opslagtemperatuur van -20°C - 45°C binnen één maand, en 0°C - 35°C tussen twee en twaalf maanden.
- De werkomgeving van het accupack is -20°C -55°C voor ontladen, en 0°C~55°C voor opladen.

7.6 ONDERHOUD VAN HET ACCUVAKFILTER

Vervang het accuvakfilter elke 200 uur.

7.7 SERVICE

i BELANGRIJK

Wacht tot alle beweging is gestopt alvorens de machine af te stellen, te reinigen of te repareren. Reparaties of onderhoud waarvoor stroom nodig is, mogen alleen worden uitgevoerd door opgeleid onderhoudspersoneel. Lees de veiligheidswaarschuwingen voorin de handleiding en neem deze in acht.

i BELANGRIJK

Reparaties of onderhoud waarvoor stroom nodig is, mogen alleen worden uitgevoerd door opgeleid onderhoudspersoneel.

NL

- Parkeer de maaier op een vlakke ondergrond. Zorg ervoor dat de besturingshendels in de neutrale stand staan en dat de PTO-schakelaar in de OFF-positie staat. Til het dek op, draai de sleutel in de OFF-positie, verwijder de sleutel uit de schakelaar en verwijder de accu's uit het accuvak onder de zitting.
- Alle onderhoudswerkzaamheden waarbij de veiligheidsafdekkingen moeten worden verwijderd, moeten worden uitgevoerd door een opgeleide onderhoudstechnicus.
- Gebruik geschikte hulpmiddelen om onder de maaier schoon te maken, en zorg ervoor dat geen enkel lichaamsdeel - vooral armen en handen - onder de maaier zit.
- Houd uw machine schoon en verwijder alle afval en maaisel.
- Houd het accuvak, het maaidek en de bedieningsplaats schoon van opgehoopt afval, gemaaid gras en ander afval.
- Maak het accuvak, het aandrijfmotorcompartiment, het maaidek, de zitting, etc. schoon van alle vuil en afval. Gebruik voor het reinigen alleen perslucht. Gebruik geen water, oplosmiddelen, agressieve reinigingsmiddelen of schuurmiddelen.
- Draag altijd geschikte oogbescherming bij het onderhoud van de accu's of bij het slijpen van de maaibladen en het verwijderen van opgehoopt vuil. Probeer nooit om aanpassingen of reparaties uit te voeren aan het aandrijfsysteem van de maaier, het maaidek of een hulpstuk terwijl de tractieaandrijving in werking is. Reparaties of onderhoud waarvoor stroom nodig is, mogen alleen worden uitgevoerd door opgeleid onderhoudspersoneel.
- Werk nooit onder de machine of het aanbouwdeel tenzij deze veilig is ondersteund met kriksteunen. Zorg ervoor dat de machine stevig staat wanneer hij wordt opgeheven en op de kriksteunen wordt geplaatst.
- De kriksteunen mogen niet toelaten dat de machine beweegt wanneer de tractieaandrijving in werking is en de aandrijfwielen draaien. Gebruik alleen gecertificeerde kriksteunen. Gebruik alleen geschikte kriksteunen met een minimum draagvermogen van 900 kg om de machine te ondersteunen. Gebruik altijd twee kriksteunen. Volg de instructies die bij de kriksteunen worden geleverd.
- Raak geen hete onderdelen van de machine aan.
- Houd bouten en moeren vastgedraaid, vooral de bouten van de bladbevestiging. Houd de machine in goede staat.
- Knoei nooit met veiligheidsvoorzieningen. Controleer regelmatig hun goede werking.
- Draai de sleutel in de OFF-positie voordat u de uitwerpopening ontstopt.
- Maak de uitwerpopening nooit vrij terwijl de machine draait. Draai de sleutel in de OFF-positie en zorg ervoor dat de bladen stilstaan voordat u ze schoonmaakt. Gebruik een stok om een verstopte uitwerpopening vrij te maken. Gebruik nooit uw handen!
- Stop de machine en laat de bladen stilstaan voordat u de uitwerpopening ontstopt. Onderdelen van grasopvangsystemen zijn onderhevig aan slijtage, beschadiging en veroudering, waardoor bewegende delen bloot kunnen komen te liggen of voorwerpen kunnen worden geworpen. Controleer regelmatig de onderdelen en vervang deze indien nodig door de fabrikant aanbevolen onderdelen.

- Wees voorzichtig wanneer u onder het maaidek werkt, want de maaibladeren zijn uiterst scherp. Draag handschoenen en wees extra voorzichtig bij het onderhoud.
- Gebruik alleen originele Cramer maaieronderdelen om ervoor te zorgen dat de originele normen worden gehandhaafd.
- Verwijder altijd de accu's wanneer u de machine vervoert. Houd de machine vrij van grasresten, bladeren en ander afval.
- Controleer regelmatig de werking van de remmen. Afstellen en onderhoud indien nodig.
- Onderhoud of vervang zo nodig veiligheids- en instructielabels.
- Laat uw zitmaaier onderhouden door een gekwalificeerde reparateur die uitsluitend identieke vervangingsonderdelen gebruikt. Zo blijft de veiligheid van de zitmaaier gewaarborgd.
- Laad alleen op met de laders die door de fabrikant zijn aangegeven. Een oplader die geschikt is voor een bepaald type accupack kan tot brandgevaar leiden wanneer deze wordt gebruikt met een andere accu.

8 VERVOER EN OPSLAG

8.1 TRANSPORT

▲ WAARSCHUWING

Wees extra voorzichtig bij het laden of lossen van de machine in een aanhangwagen. Druk op de knop voor lage snelheid en beweeg voorzichtig de aandrijfhandels om de snelheid te regelen. Ga bij het laden altijd achteruit op de aanhangwagen. Bij het laden of lossen van de maaier mag de aanbevolen maximale bedieningshoek van 15° niet worden overschreden. Het niet opvolgen van deze instructies kan leiden tot verlies van controle en de dood, ernstig persoonlijk letsel of materiële schade tot gevolg hebben.

▲ WAARSCHUWING

Wees voorzichtig bij het laden of lossen van de maaier op een aanhangwagen. Zorg ervoor dat het maaidek in de hoogste stand staat, zodat het niet vast komt te zitten op de oprit. De wielen van de maaier kunnen van het platform of de aanhangwagen afraken, waardoor de maaier kan kantelen of omvallen, en er een kneelgevaar ontstaat dat de dood of ernstig lichamenteel letsel kan veroorzaken.

1. Parkeer de maaier op een vlakke ondergrond.
2. Zet het maaidek in de hoogste stand.
3. Plaats en bevestig de opritplaat op de aanhangwagen volgens de instructies van de fabrikant.

i OPMERKING

Wij raden u aan één laadklep over de volle breedte te gebruiken die minstens 1 m breder is dan de maaier, om het risico te minimaliseren dat de wielen van de maaier van de zijkant van de klep raken.

4. Zet de maaier langzaam terug op de helling en in de aanhanger.
5. Laat het maaidek volledig zakken.
6. Stel de parkeerrem in.
7. Schakel de maaier uit en verwijder de sleutel.
8. Zet de maaier zo nodig vast met riemen of kabels om beweging tijdens het vervoer te voorkomen.

▲ WAARSCHUWING

Verwijder altijd de start sleutel en stel de parkeerrem in wanneer u de maaier vervoert, om te voorkomen dat deze per ongeluk wordt gestart of in beweging komt, wat tot ernstig persoonlijk letsel kan leiden.

8.2 REINIGING EN OPSLAG

8.2.1 DE MACHINE REINIGEN

- Verwijder gras en bladeren op of rond het motordekseel (gebruik geen hogedrukpistool om de motor door te spoelen).
- Veeg de maaier af en toe schoon met een droge doek.

- Als er zich tijdens het gebruik vuil aan de onderkant van de maaier ophoopt, dient u de motor te stoppen, de machine uit te zetten en dit met een geschikt gereedschap schoon te schrapen.

8.2.2 HET MAAIDEK SCHOONMAKEN

Zie afbeelding 18

- Zet de handrem in de parkeerstand.
- Stel de maaidekhoogte in op de laagste stand.
- Bevestig de meegeleverde snelkoppeling van de waspoort aan de tuinslang.
- Bevestig de tuinslang met snelkoppeling aan de waspoort op het maaidek. De waspoort zit aan de linkerkant van het maaidek.
- Draai de waterkraan open.
- Trek aan de PTO-schakelaar om de bladen te starten en stel de bladsnelheid in op de hoogste stand.
- Spoel water onder het dek gedurende ongeveer een minuut.
- Schakel de maaibladen uit door de PTO-schakelaar omlaag te drukken.
- Draai de waterkraan dicht en verwijder de tuinslang en de snelkoppeling uit de waspoort.
- Verwijder de snelkoppeling van de tuinslang en bewaar deze voor toekomstig gebruik.
- Zet de maaier helemaal uit.

8.2.3 OPSLAG VAN DE MACHINE

De volgende stappen moeten worden genomen om de machine gereed te maken voor opslag.

- Reinig de machine zoals beschreven in de vorige paragraaf.
- Controleer het blad en vervang of slijp het, indien nodig (zie het hoofdstuk Onderhoud).
- Bewaar de machine niet naast corrosieve materialen, zoals kunstmest of steenzout.
- Houd de machine buiten bereik van kinderen.
- Dek de machine niet af met bouwplastic. Plastic bekledingen houden vocht vast rond de machine, wat roest en corrosie veroorzaakt.
- Controleer grondig op versleten of beschadigde onderdelen die vervangen moeten worden en bestel deze bij uw dealer.
- Neem contact op met het servicecentrum om de machine grondig te smeren.
- Laad de accu's volledig op voordat u deze opslaat.
- Laat de banden niet leeglopen.
- De machine moet worden opgeslagen op een goed geventileerde, schone en droge plaats, aangezien de acculader niet kan worden gebruikt in een natte omgeving.
 - Houd de accu's altijd volledig opgeladen. Het is vooral belangrijk om schade aan de accu te voorkomen wanneer de temperatuur lager is dan 0°C.
 - Sluit de laadadapter aan op de laadpoort en de accu's volgens het hoofdstuk Laadadapter in het hoofdstuk Elektrisch systeem.
 - Steek de stekker van de lader in het stopcontact. Zie de gedeelten Acculader, Accu opladen en Laadaanbevelingen in het hoofdstuk Elektrisch systeem voor meer details over het gebruik van de lader en het opladen van de accu's.
 - Voor een maximale levensduur van de accu's kunt u ze het beste kort na elk gebruik volledig opladen.

8.2.4 KLAARMAKEN VOOR GEBRUIK NA OPSLAG

De volgende stappen moeten worden genomen voordat de maaier wordt gebruikt nadat hij is opgeborgen:

- Laad de accu's volledig op.
- Controleer de bandenspanning en pomp deze zo nodig op.
- Rijd kort met de maaier en controleer of alle systemen en onderdelen correct functioneren.

9 PROBLEEMOPLOSSING

PROBLEEM	MOGELIJKE OORZAAK	OPLOSSING
Het voertuig beweegt niet.	Het accupack is niet geplaatst Cramer of het accupack is van het verkeerde type.	Om de normale werking van het voertuig te garanderen, moet ten minste 1 Cramer accupack in het accuvak wordt geplaatst.
	Het accupack is niet opgeladen.	Controleer het vermogen van h accupack.
	Besturingshendels staan in de parkeerremstand.	Controleer of de linker en rechter bedieningshendel niet in de parkeerremstand staan.
	Er zit niemand op de zitting of de zittingschakelaar is niet gesloten.	Zorg ervoor dat de gebruiker op de zitting zit.
	De linker en rechter parkeerschakelaar staan niet in de beginstand als de stroom is ingeschakeld.	Zet de besturingshendels in de parkeerremstand en start de machine opnieuw; als hij nog steeds niet gestart kan worden, neem dan contact op met het Cramer uw dealer.
	Het accuvak is in slapende toestand.	Zet de sleutel in de UIT-stand en wacht meer dan 5 seconden voordat u de machine opnieuw start.
Plotselinge stop tijdens het rijden	De accu is niet opgeladen.	Om de normale werking van het gehele voertuig te waarborgen, moet u ten minste 1 Cramer accupack in het accuvak hebben.
	Ruwe en hobbelige wegen, waardoor de zittingschakelaar wordt uitgeschakeld.	Zet de besturingshendels in de parkeerremstand en start de machine opnieuw.
	Gashendel links/rechts is defect.	Contact Cramer uw dealer.
	Rijcontroller is defect.	Contact Cramer uw dealer.
Het blad werkt niet na het overhalen van de PTO-schakelaar.	Het accupack is niet geplaatst Cramer.	Om de normale werking van het gehele voertuig te waarborgen, moet u ten minste 1 Cramer accupack in het accuvak hebben.
	Het accuvermogen is lager dan 5%.	Controleer het vermogen van het accupack; als het vermogen van de accu laag is, moet u de accu opladen.
	De zittingschakelaar is niet gesloten.	Zorg ervoor dat de gebruiker op de zitting zit.
	De bladschakelaar (PTO) staat niet in de beginstand voor het inschakelen.	Druk op de PTO en trek hem weer omhoog.
	Bladmotorblokkering of andere functionele bescherming.	Controleer of er geen onkruid of andere vreemde voorwerpen in de verbinding tussen het blad en de motor zitten, zodat het blad soepel kan draaien. Het wordt aanbevolen het dek omhoog te trekken en het blad te starten voordat u het dek in de gewenste versnelling zet.
	Rijcontroller is defect.	Controleer de foutcode op het display.
Het blad stopt bij het maaien van gras.	Bladcontroller is defect.	Controleer de foutcode op het display.
	Bladmotor overbelasting.	Reinig de binnenkant van het maaidek, controleer of er geen abnormale rotatie van het blad is, druk de PTO in, start de machine opnieuw en verminder de belasting van het blad, hetzij door de hoogte van de maaifabel te verhogen, hetzij door de rijsnelheid te verlagen.
	De accutemperatuur is te hoog.	Gebruik de accu niet onmiddellijk nadat het opladen is voltooid, anders kan de fout in de temperatuurbeveiliging van het accupack optreden.

PROBLEEM	MOGELIJKE OORZAAK	OPLOSSING
	Het accuvermogen is lager dan 5%.	Het accupack is bijna leeg, laad de accu op.
	Het blad wordt geraakt door een vreemd voorwerp, waardoor het plotseling stopt.	Zet de startsleutel in de OFF-positie en wacht meer dan 5 seconden voordat u de machine opnieuw start.
	Rijcontroller is defect.	Controleer de foutcode op het display.
De maaier maait het gras ongelijk, en het hoogteverschil is erg groot.	Het blad is bot.	Reinig het blad volgens de handleiding.
	Het blad is verbogen.	Vervang het blad volgens de instructies en draag beschermende kleding.
	Het dek is niet vlak.	Maak het dek vlak volgens de instructies om ervoor te zorgen dat de linker- en rechterhoogte gelijk zijn.
De werkelijke maaihoogte komt niet overeen met de gekozen gemarkeerde maaihoogte.	Losse bevestigingsbouten van het dek.	Stel de bevestigingsbouten van het dek bij om ervoor te zorgen dat het stevig is geïnstalleerd. Opmerking: het dek moet opnieuw worden genivelleerd nadat de bevestigingsbouten zijn bijgesteld.
	Het dek is ernstig versleten of beschadigd.	Een dek vervangen.
Abnormaal versnipperen	Het gazon is te nat.	Controleer voor het maaien de toestand van het gras. Als het gras te nat is, wacht dan totdat het gras gedroogd is.
	De maaier is ingesteld om te veel gras in één keer te maaien.	Als het gras te dicht en te hoog is, verhoog dan het maaidek en vermijd zoveel mogelijk het maaien van zwaar gras.
Overmatige machinetrillingen	De bladen zitten los.	Reinig het blad volgens de methode in de handleiding.
	De bladen zijn verbogen.	Vervang het blad volgens de instructies en draag beschermende handschoenen.
	Ongelijk dek.	Maak het dek vlak volgens de instructies om ervoor te zorgen dat de linker- en rechterhoogte gelijk zijn.
	Los dek.	Vergrendel de vaste bouten van het dek.
	De maaier is ingesteld om te veel gras in één keer te maaien.	Als het gras te dicht en te hoog is, verhoog dan het maaidek, probeer zwaar gras te vermijden.
Gras of afval dat na het maaien op de grond blijft liggen.	De maaier is ingesteld om te veel gras in één keer te maaien.	Als het gras te dicht en te hoog is, verhoog dan het maaidek; als het gras hoger is dan 15 cm, gebruik dan twee maacycli om het maai-effect te bereiken, probeer zwaar gras te vermijden.
	Het gras is te nat.	Als het gras te nat is, wacht dan totdat het gras gedroogd is.
	De rijsnelheid is te hoog.	Verlaag de rijsnelheid.
	De snijsnelheid van het blad is te laag.	Verhoog de snelheid van het blad.
Korte maaiperiode	Het maaien van zwaar gras kan leiden tot een korte maaiperiode.	Door het maaidek te verhogen of de snelheid van het blad te verlagen, kan de maaier langer meegaan op één lading.
Maaier rijdt niet rechtuit	Verschillende bandenspanning	Controleer de achterbandenspanning van de maaier regelmatig volgens de handleiding.
Het voertuig start niet na het wassen.	Onjuiste reiniging, zoals water in het ledscherm, het accuvak en andere elektronische onderdelen.	1. Volg de instructies om de machine te reinigen.

PROBLEEM	MOGELIJKE OORZAAK	OPLOSSING
		2. Als het voertuig per ongeluk nat is geworden, zet het dan 12 uur op een droge plaats of föhn het voor gebruik droog. 3. Contact Cramer uw dealer.
De maaier is geblokkeerd.	Onkruid en afval stapelden zich op op het dek.	Volg de instructies om de machine elke keer na gebruik schoon te maken.
In de parkeerstand glijdt de machine snel over de helling en slipt.	Ernstige bandenslijtage.	Neem contact op uw dealer om de banden te vervangen.
	De elektromagnetische rem is beschadigd of versleten.	Neem contact op met uw dealer om de elektromagnetische rem te vervangen.
	De elektromagnetische rem wordt handmatig gelost.	Controleer de elektromagnetische rem en zet hem terug in de uitgangspositie.

10 TECHNISCHE GEGEVENS

Model nr.	82ZT107
Spanning	82 V
Bruto voertuiggewicht	106±3 kg
Lengte	170 cm
Hoogte	117 cm
Breedte (met afvoer)	135 cm
Breedte (zonder afvoer)	107 cm
Dekbreedte	107 cm
Voorwaartse snelheid	0-7.5 mph
Snelheid achteruit	0-3 mph
Maaihoogtebereik	3.81-11.4 cm
Regelknop voor maaihoogte	7 stuks
Snelheid zonder belasting	2400/3000/3200 RPM
Oplaadtijd	4 h (met 8 een lader)
Motorvermogen	1.2 kW (bladmotor)
	1.2 (aandrijfmotor)
MAX helling	15°
Aantal bladen (afvoer/mulch)	2
Gemeten geluidsdruk	$L_{pA} = 85.63 \text{ dB(A)}$, $K_{pA} = 3 \text{ dB(A)}$
Gemeten geluidsvermogen	$L_{wA} = 98.61 \text{ dB(A)}$
Gegarandeerde geluidsdruk	$L_{wA,d} = 100 \text{ dB(A)}$
Trillingen	Armen: $\leq 2.5 \text{ m/s}^2$, $K = 1.5 \text{ m/s}^2$
	Behuizing: $\leq 2.5 \text{ m/s}^2$, $K = 1.5 \text{ m/s}^2$

11 BEPERKTE GARANTIE

11.1 WAT WORDT GEDEKTD DOOR DEZE GARANTIE?

Cramer geeft de volgende garantie uitsluitend aan de oorspronkelijke koper ("Eigenaar") - de garantie is niet overdraagbaar:

A. Huishoudelijk gebruik: Cramer producten die voor normale huishoudelijke doeleinden worden gebruikt*, hebben een garantie van vijf (5) jaar of 1500 gebruiksuren (wat het eerst wordt bereikt) vanaf de datum van aankoop op alle materialen en vakmanschap van chassis, dek en accu's. Verbruiksartikelen zoals banden en bladen hebben een garantie van dertig (30) dagen vanaf de datum van aankoop. Indien de Eigenaar binnen deze garantieperiode een defect in materiaal of vakmanschap ontdekt:

- De eigenaar moet dit onmiddellijk melden aan Cramer of een erkende dealer, schriftelijk of via e-mail, telefonisch, app of persoonlijk. Deze kennisgeving mag in geen geval Cramer later dan vijf (5) jaar na de datum van aankoop worden gemeld.
- Binnen een redelijke termijn na deze kennisgeving en verificatie van een gewaarborgd gebrek; Cramer zal elk defect in materiaal of vakmanschap aan het Cramer product door, naar eigen keuze, onderdelen te repareren of te vervangen door nieuwe of gebruikte vervangingsonderdelen.
- Deze reparatie, met inbegrip van onderdelen en arbeid, is voor rekening van Cramer aan de oorspronkelijke eigenaar.

B. Commercieel gebruik: Cramer producten die voor commerciële doeleinden worden gebruikt*, hebben een garantie van vijf (5) jaar of 1500 gebruiksuren (wat het eerst wordt bereikt) vanaf de datum van aankoop op alle materialen en vakmanschap van chassis, dek en accu's. Verbruiksartikelen zoals (inclusief maar niet beperkt tot) banden en bladen hebben een garantie van dertig (30) dagen vanaf de datum van aankoop. Indien de Eigenaar binnen deze garantieperiode een defect in materiaal of vakmanschap ontdekt:

- De eigenaar moet dit onmiddellijk melden aan Cramer of een erkende dealer, schriftelijk of via e-mail, telefonisch, app of persoonlijk. Deze kennisgeving mag in geen geval Cramer later dan vijf (5) jaar na de datum van aankoop worden gemeld.
- Binnen een redelijke termijn na deze kennisgeving en verificatie van een gewaarborgd Cramer zal elk defect in materiaal of vakmanschap aan het Cramer product door, naar eigen keuze, onderdelen te repareren of te vervangen door nieuwe of gebruikte vervangingsonderdelen.
- Deze reparatie, met inbegrip van onderdelen en arbeid, is voor rekening van Cramer aan de oorspronkelijke (commerciële) eigenaar.

i OPMERKING

Als de accu's niet goed worden onderhouden en niet volledig worden opgeladen, gaan ze minder lang mee en vervalt de garantie op de accu. De bepalingen van deze beperkte garantie zijn niet van toepassing op defecten die te wijten zijn aan:

- Misbruik of verwaarlozing zoals: waterschade, losse bedrading of verroeste of gecorrodeerde hardware.
- Gebrekkig onderhoud; schade veroorzaakt door onjuiste installatie van de accu; verwaarlozing, breuk, blootstelling aan extreme temperatuursomstandigheden, inclusief maar niet beperkt tot vriestemperaturen, hete temperaturen, nabijheid van warmtebronnen, inclusief verwarmingstoestellen of vuur, blootstelling aan water of andere stoffen, moedwil, gebruik van de accu in een overgeladen of ongeladen toestand.
- Een accu die wordt opgeladen door een ander systeem dan de originele acculader.

Voetnoot: ***Normaal huishoudelijk gebruik**, zoals hierin genoemd, betekent het gebruik van het product op hetzelfde perceel als uw huis. Gebruik op meer dan één locatie wordt beschouwd als commercieel gebruik, waarna de garantie voor commercieel gebruik van toepassing is.*

11.2 WIE MOET DE GARANTIESERVICE UITVOEREN?

Alle garanteservice wordt uitgevoerd door een Cramer erkende dealer of Cramer erkende onderhoudsmonteur. Onderhoudsbeurten en/of transportkosten van het product naar en van de erkende dealer, voor garantiewerkzaamheden, zullen worden betaald door de eigenaar van het product. Neem voor service onder garantie contact op met een erkende dealer.

11.3 WAT WORDT NIET GEDEKT DOOR DEZE GARANTIE?

Cramer geeft geen garantie:

- Reparaties uitgevoerd door onbevoegden.
- Schade veroorzaakt door het gebruik van het Cramer product voor andere doeleinden dan waarvoor het ontworpen is.
- Schade veroorzaakt door rampen zoals brand, overstroming, wind en blikseminslag.
- Schade veroorzaakt door verwaarlozing, misbruik, abnormaal gebruik, oneigenlijk of onredelijk gebruik, ongeval, nalatigheid of verkeerd gebruik, zoals waterschade.
- Reparaties of vervanging als gevolg van het gebruik van niet-goedgekeurde onderdelen, accessoires of hulpstukken.
- Reparaties of vervanging als gevolg van wijzigingen of aanpassingen, naar het oordeel van Cramer die de werking, prestaties of duurzaamheid van de apparatuur negatief beïnvloedt.
- Producten, componenten of onderdelen die niet zijn vervaardigd door Cramer.
- Producten waarvan de identificatie is gewijzigd, met inbegrip van, maar niet beperkt tot, het verwijderen en/of onleesbaar maken van serienummers.
- Waardevermindering of schade veroorzaakt door normale slijtage, gebrek aan redelijk en behoorlijk onderhoud, het niet opvolgen van de gebruiksaanwijzing, de onderhouds- en afstelinstructies van het product of andere door Cramer.
- Onderdelen voor normaal onderhoud en service, waaronder, maar niet beperkt tot, smeermiddelen, afstelonderdelen, bladen, slijpen van bladen, lagers, afstellen van remmen of stuurinrichting.
- Producten met een niet-goedgekeurde programmering voor dat product, inclusief wijzigingen van parameters, aftermarket programmering of aanpassingen, of een niet-goedgekeurde wijziging van onderdelen, elektronica of software.

11.4 AFWIJZING VAN GARANTIE

De voorgaande garanties komen in de plaats van alle andere garanties, uitdrukkelijk of stilzwijgend, met inbegrip van maar niet beperkt tot de stilzwijgende garanties van verkoopbaarheid en geschiktheid voor een bepaald doel. Echter, indien het Cramer product als een consumentenproduct is aangeschaft, is elke impliciete garantie van verkoopbaarheid of geschiktheid voor een bepaald doel beperkt tot de duur van deze beperkte garantie. In sommige landen zijn beperkingen op de duur van een impliciete garantie niet toegestaan, zodat de bovenstaande beperking mogelijk niet op u van toepassing is. Deze garantie geeft u specifieke rechten en u kunt ook andere rechten hebben die van land tot land kunnen verschillen.

11.5 BEPERKING VAN RECHTSMIDDELEN

In geen geval zal Cramer aansprakelijk zijn voor enige speciale, incidentele of gevolgschade gebaseerd op schending van garantie, contractbreuk, nalatigheid, strikte aansprakelijkheid door onrechtmatige daad, of enige andere wettelijke theorie. Dergelijke schade omvat, maar is niet beperkt tot:

- Verlies van winst
- Verlies van besparingen of inkomsten
- Verlies van gebruik van het Cramer product of bijbehorende apparatuur
- Kosten van kapitaal
- Kosten van vervangende apparatuur, faciliteiten, diensten of uitvaltijd
- De vorderingen van derden, met inbegrip van klanten, en schade aan eigendommen

11.6 TIJDSLIMIET

Tenzij de wet anders bepaalt:

Elke vordering wegens inbreuk op de garantie moet worden ingesteld binnen vijf (5) jaar of zestig (60) maanden na de datum van aankoop in een residentiële en/of commerciële toepassing.

In het geval dat de productiedatum een redelijke termijn voorafgaand aan de eerste aankoop door de klant overschrijdt, Cramer garantie kan onderworpen zijn aan bijkomende beperkingen.

11.7 GEEN ANDERE GARANTIES

Deze overeenkomst wordt geacht de volledige en exclusieve overeenkomst tussen de partijen te zijn, die in de plaats komt van alle eerdere mondelinge of schriftelijke overeenkomsten en alle andere mededelingen tussen de partijen met betrekking tot het onderwerp van deze overeenkomst.

11.8 VERANTWOORDELIJKHEID VAN DE EIGENAAR

U moet uw Cramer product onderhouden volgens de onderhoudsprocedures beschreven in uw gebruikershandleiding. Dergelijk routine-onderhoud, of het nu door een dealer of door uzelf wordt uitgevoerd, is voor uw rekening.

Deze machine is, net als alle andere aangedreven apparatuur, potentieel gevaarlijk, tenzij correct bediend. Elke gebruiker moet voorzichtig zijn en altijd de veiligheid voor ogen houden. Iedere gebruiker moet, voordat hij het Cramer product gebruikt, zich grondig vertrouwd maken met de gebruikershandleiding betreffende de bediening en veiligheid van de machine, alsmede met alle veiligheids waarschuwingen op de machine zelf.

11.9 TOEWIJZING VAN RISICO'S

Deze overeenkomst verdeelt de risico's van productfalen tussen Cramer en de eigenaar. Deze toewijzing wordt door beide partijen erkend en komt tot uiting in de prijs van de goederen.

11.10 GARANTIEREGISTRATIE

Tenzij de wet anders bepaalt:

1. Eigenaren moeten de machine registreren Cramer binnen tien (10) dagen na aankoopdatum.
2. De registratie kan worden voltooid door het garantieregistratieformulier in te vullen, dat in de bedieningshandleiding is opgenomen.
3. Registratie kan ook worden voltooid door gebruik te maken van het online formulier op cramertools.com of door de app te gebruiken en een aankoopbewijs te verstrekken (kassabon met aankoopdatum).

12 EC VERKLARING VAN OVEREENSTEMMING

Naam en adres van de fabrikant:

Naam: Greenworks Tools Europe GmbH
Adres: Brunnenweg 17, 64331 Weiterstadt, Duitsland

Naam en adres van de persoon die het technisch dossier heeft samengesteld:

Naam: Ralf Pankalla
Adres: Brunnenweg 17, 64331 Weiterstadt, Duitsland

Hierbij verklaren wij dat het product

Categorie: Zero-turn maaier
Model: 82ZT107
Serienummer: Zie typeplaatje
Jaar van fabricage: Zie typeplaatje

- is vervaardigd in overeenstemming met de bepalingen van de machinerichtlijn 2006/42/EC.
- is vervaardigd in overeenstemming met de volgende EC-richtlijnen:
 - 2014/30/EU
 - 2011/65/EU & (EU)2015/863

Voorts verklaren wij dat de volgende (delen/clausules van) Europese geharmoniseerde normen zijn gebruikt:

Engels

- EN 62841-1, EN ISO 5395-1, EN ISO 5395-3, EN ISO 14982, IEC 62321-3-1, IEC 62321-4, IEC 62321-5, IEC 62321-6, IEC 62321-7-1, IEC 62321-7-2, IEC 62321-8

Plaats, datum: 11.11.2022

Handtekening: Ted Qu, Directeur Kwaliteit

Ted Qu

NL

1 Kuvaus.....	220	7.4 Vääntömomenttiarvot.....	238
1.1 Yleiskatsaus.....	220	7.5 Akun huoltaminen.....	238
1.2 Ohjauspaneeli.....	220	7.6 Akkulokeron suodattimen huolto.....	238
2 Pura kone pakkauksesta.....	220	7.7 Huolto.....	238
3 Asennus.....	221	8 Kuljettaminen ja säilytys.....	239
3.1 Asenna istuin.....	221	8.1 Kuljetus.....	239
3.2 Silppurin kannen asentaminen.....	221	8.2 Puhdistaminen ja varastointi.....	240
3.3 Ohjauksen ohjausvivun asentaminen.....	221	9 Vianmääritys.....	242
3.4 Vapaa-asennon ohitusnuppi.....	222	10 Tekniset tiedot.....	244
3.5 Nurmisuojarullat.....	222	11 Rajoitettu takuu.....	245
4 Käyttöohjeet.....	222	11.1 Mitä tämä takuu kattaa.....	245
4.1 Ennen käyttöä.....	222	11.2 Kenen tulee suorittaa takuuhuolto.....	245
4.2 Koneen käyttäminen.....	224	11.3 Takuun kattavuus.....	245
5 Sähköjärjestelmä.....	229	11.4 Takuun vastuuvapauslauseke.....	246
5.1 Sähköjärjestelmän turvallisuus.....	229	11.5 Korjaustoimenpiteiden rajoitukset.....	246
5.2 Sähköjärjestelmän tiedot.....	229	11.6 Aikaraja.....	246
5.3 Digitaalinen näyttö.....	229	11.7 Ei muita takuita.....	246
6 Virheet.....	230	11.8 Käyttäjän vastuut.....	246
6.1 Virhekoodi.....	231	11.9 Riskien jakaminen.....	247
7 Kunnossapito.....	236	11.10 Takuun rekisteröiminen.....	247
7.1 Ruohonleikkurin terän kunnossapito.....	236	12 EU-	
7.2 Renkaat.....	237	vaatimustenmukaisuusvakuu	
7.3 Voitelu.....	237	tus.....	247

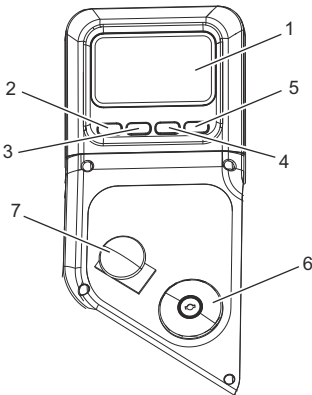
1 KUVAAUS

1.1 YLEISKATSAUS

Katso erillinen kuvalehti 1-19

- | | |
|--------------------------------------|------------------------------|
| 1 Ohjauksen ohjausvivut | 19 Vapaa-asennon ohitusnuppi |
| 2 Istuimen säätövipu | 20 Sarjanumero |
| 3 Ajovalo | 21 Pariliitoskoodi |
| 4 Etupyörät | 22 QR-koodi |
| 5 Poistokouru | 23 Akkulokero |
| 6 Vetopyörät | 24 Akku |
| 7 Ohjauspaneeli | 25 Akun salpa |
| 8 USB-portti | 26 Virta pois päältä. |
| 9 Mukiteline | 27 Virta päälle |
| 10 Leikkuupöytä | 28 Virta-avaimen reikä |
| 11 Nurmisojarullat | 29 Pultti |
| 12 Leikkuupöydän korkeuden säätövipu | 30 Aluslevy |
| 13 Istuinpaneeli | 31 Terä |
| 14 Istuimen pistoke | 32 Puutarhaletku |
| 15 Silppurin kansi | 33 Pikaliitin |
| 16 Laakerin rengas | 34 Pesuliitäntä |
| 17 Kiinnityspidikkeet | 35 Öljynpoistoaukko |
| 18 Asennustanko | 36 Öljymitta |

1.2 OHJAUSPANEELI



#	Nimi	Toiminto
1	Digitaalinen näyttö	Näytössä näkyvät tärkeät sähköjärjestelmätiedot. Katso täydelliset tiedot Sähkö-osiesta.
2	Terän moottorin nopeuden säätö / paluu	Säädä terän nopeutta (syklistä), kun se on kotisivulla. Paina painiketta palataksesi edelliselle sivulle.
3	Valikon navigointi / sivu ylös	Käännä digitaalinen näyttö viimeiselle sivulle. Takaisin aloitusnäyttöön.
4	Lampun kytkin / sivu alas	Kytke lamput päälle / pois päältä, kun se on kotisivulla. Käännä digitaalinen näyttö seuraavalle sivulle.
5	Ajonopeuden säätö / vahvistus	Säädä ajonopeutta (syklinen), kun se on kotisivulla. Vahvista painamalla painiketta.
6	Virtakytkin	Kytintä käytetään ruohonleikkurin kytkemiseen päälle ja pois päältä.
7	Leikkuupöydän terien päälle / pois päältä -kytkin (PTO)	Tämä kytkin kytkee terämoottorit. Vedä kytkin ylös kytkeäksesi moottorit ja paina kytkin alas sammuttaaksesi moottorit.

i TÄRKEÄÄ

Älä koskaan kytke terämoottoreita, kun leikkuupöytä on kuormittuna. Moottorit tai leikkuupöytä voivat vaurioitua.

2 PURA KONE PAKKAUKSESTA

▲ VAROITUS

Varmista, että kokoat koneen oikein ennen käyttöä.

▲ VAROITUS

- Jos koneen osissa on vaurioita, älä käytä konetta.
- Jos osia puuttuu, älä käytä konetta.
- Jos osat ovat vaurioituneet tai puuttuvat, ota yhteyttä huoltokeskukseen.

1. Avaa pakkaus.
2. Lue laatikossa oleva dokumentaatio.
3. Poista kaikki irralliset osat laatikosta.
4. Poista kone laatikosta.
5. Hävitä laatikko ja pakkausmateriaali paikallisten määräysten mukaan.

▲ VAROITUS

Älä aseta akkua oman turvallisuutesi takia ennen kuin työkalu on täydellisesti koottu.

3 ASENNUS

3.1 ASENNASTUIN

Katso kuva 3

1. Aseta istuinkokoonpano istuinpaneelin päälle ja kohdista reiät kuvan osoittamalla tavalla.
2. Asenna pultit, aluslevyt ja mutterit ja kiristä tiukalle.
3. Kiinnitä holkit muttereihin.
4. Varmista, että istuin on tukevasti paikallaan.
5. Liitä istuimen pistoke koneeseen.

3.2 SILPPURIN KANNEN ASENTAMINEN

Katso kuva 4

Ruohonleikkuri on määritetty sivulle poistoon toimitettaessa. Jos halutaan käyttää silppuria:

1. Aseta silppurin kansi ruohonleikkurin kotelon kielekkeeseen.
2. Kohdista silppurin kannen reiät ruohonleikkurin kotelon reikiin.
3. Asenna ja kiristä pultit, ruuvit, kiinnityspidikkeet ja laakerin renkas kuvan osoittamalla tavalla.

3.3 OHJAUKSEN OHJAUSVIVUN ASENTAMINEN

Katso kuva 5-6

▲ VAROITUS

Vasen ja oikea ohjausvipu on säädettävä siten, että ne ovat kohdakkain toistensa kanssa vapaa-asennossa. ÄLÄ KOSKAAN asenna ohjausvipuja epäsymmetriseen käyttök korkeuteen.

1. Nosta toista ohjauksen ohjausvipua kohdistaaksesi vivun reiät vastaavan asennustangon reikien kanssa.
2. Valitse haluamasi ohjausvivun käyttök korkeus. Työnnä ruuvi reikään yhdessä aluslevyn kanssa.
3. Kiinnitä ohjausvipu avaimella (13 x 16 mm).
4. Kokoa toinen ohjauksen ohjausvipu samalla tavalla.

▲ VARO

Älä asenna ohjauksen ohjausvipua käänteisesti.

3.3.1 OHJAUKSEN OHJAUSVIVUT

Kaksi vipua ohjaa ruohonleikkurin nopeutta, suuntaa, pysähtymistä, vapaata lukitusta ja seisontajarrua. Vipuja käytetään ohjaamiseen, kiihdyttämiseen, hidastamiseen, pysäyttämiseen ja suunnan vaihtamiseen. Kun ohjausvivut ovat seisontajarruasennossa, ruohonleikkuri ei liiku.

i HUOMAA

Aja aina molemmilla käsillä. Älä aja vain yhdellä kädellä.

3.3.2 KÄYTÄ SOVELLUSTA

Katso kuva 9-10

1. Käy Fleet Managementin verkkosivustolla: fleet.cramertools.com
2. Luo tili ja kirjaudu sitten sisään.
3. Kutsu muita organisaatiosi käyttäjiä.
4. Skannaa QR-koodi, lataa sovellus ja kirjaudu sisään.
5. Lisää laite. Etsi sarjanumero, pariliitoskoodi ja QR-koodi tämän käyttöoppaan ajoneuvoa vastaavasta tarrasta. Skannaa QR-koodi tai kirjoita manuaalisesti.

3.4 VAPAA-ASENNON OHITUSNUPPI

Katso kuva 7-8

1. Vedä vapaa-asennon ohitusnuppeja ulospäin ja sitten alaspäin pyörän lukituksen avaamiseksi.
2. Lukitse pyörät siirtämällä vapaa-asennon ohitusnupit takaisin paikalleen.

▲ VAROITUS

Älä koskaan aja ruohonleikkuria vapaa-asennon ohitusnupin ollessa käytössä. Asenna vapaa-asennon ohitusnuppi aina alkuperäiseen paikkaan ennen ruohonleikkurin ajamista! Jos nuppia ei asenneta takaisin, ruohonleikkuri voi vaurioitua pahasti ja ruohonleikkurin takuu mitätöity!

▲ VAROITUS

Älä koskaan avaa vapaa-asennon ohitusnuppia, kun kone toimii rinteessä!

3.5 NURMISUOJARULLAT

Katso kuva 2

Nurmisuojarullasarjat ovat vakio-osia Cramer laitteissa. Nurmisuojarullat on suunniteltu minimoimaan maanpinnan vaurioituminen leikattaessa vaikeaa, epätasaista maastoa. Kun olet asettanut leikkuukorkeuden, säädä nurmisuojarullat siten, että ne ulottuvat leikkuupöydän alle, mutta eivät kosketa maata. Niiden pitäisi olla aina vähintään 0,6–1,9 cm leikkuupöydän alapuolella. Kun laite on tasaisella, vaakasuoralla alustalla, rullien asentoa voidaan säätää ylös tai alas 1,9–4,4 cm terän pinnan alapuolelle tarpeen mukaan. Siirrä rullia ylös tai alas käyttämällä rullien kiinnityskannattimissa olevia akselin kiinnitysreikiä (jos käytössä mallissa).

4 KÄYTTÖOHJEET

4.1 ENNEN KÄYTTÖÄ

4.1.1 SÄÄDÄ ISTUIN

Katso kuva 11

▲ VAROITUS

Varmista, että istuinkaukalo on kiinnitetty kunnolla ennen jokaista käyttökertaa, jotta istuin ei pääse liikkumaan/kallistumaan leikkurin kallistuesssa tai kaatuessa.

1. Työnnä ohjauksen ohjausvivut ulospäin SEISONTAJARRU-asentoon ennen istuimen säätämistä.
2. Istu istuimelle ja nosta istuimen säätövipua.

3. Pidä vipua ja liu'uta istuin haluttuun asentoon.
4. Vapauta vipu ja varmista, että istuin on lukittu paikalleen ennen ruohonleikkurin käyttöä.

▲ VAROITUS

Varmista, että istuin on lukittu paikoilleen ennen ruohonleikkurin käyttöä. Istuin, joka ei ole turvallinen, voi aiheuttaa käyttäjän siirtymisen ja ruohonleikkurin hallinnan menettämisen ja johtaa mahdolliseen kuolemaan tai vakavaan henkilövahinkoon.

4.1.2 LEIKKUUPÖYDÄN LEIKKUUKORKEUDEN SÄÄTÄMINEN

Katso kuva 12

Ennen kuin käytät ruohonleikkuria, nosta leikkuupöydän korkeus nurmikollesi parhaiten sopivaan leikkuuasentoon.

Leikkuupöydän korkeutta voidaan säätää välillä 3.81-11.4 cm. Leikkuupöytää on nostettava leikkuaan aikana, jotta vältetään kannot, kivet tai muut esteet, jotka voivat vaurioittaa ruohonleikkurin leikkuupöytää.

▲ VARO

Pidä leikkuupöydän korkeuden säätövipua tiukasti, kun asetat leikkuupöydän korkeutta, ja vapauta se vasta, kun se on kiinnitetty haluttuun paikkaan. Vivun nopea irti päästäminen voi aiheuttaa käyttäjän käden puristus- tai vetämisvaaran.

1. Pysäytä leikkuri ja pysäytä terät.
2. Käännä avain OFF-asentoon ja aseta seisontajarru.
3. Kun haluat nostaa leikkuupöytää, tartu leikkuupöydän korkeuden säätövipuun, työnnä vasemmalle irrottaaksesi sen aukosta, siirrä sitä leikkurin takaosaa kohti ja työnnä sitten oikealle aukkoon varmistaaksesi sen.
4. Kun haluat laskea leikkuupöydän, tartu leikkuupöydän korkeuden säätövipuun, työnnä vasemmalle irrottaaksesi sen aukosta, siirrä sitä leikkurin etuosaa kohti, työnnä sitten oikealle aukkoon kiinnittäaksesi.

4.1.3 SÄÄDÄ OHJAUSVIVUT

Ohjausvipuja voidaan säätää kuljettajan mukavuuden lisäämiseksi. Löysäämällä kantaruuvit, jotka kiinnittävät ylempään ohjausvivun alempaan vipuun, ylempää ohjausvipua voidaan kääntää käyttäjän henkilökohtaisen mieltymysten mukaan. Ohjausvivut on säädettävä siten, että ne ovat kohdakkain toistensa kanssa vapaa-asennossa.

4.1.4 AKUN ASENTAMINEN

Katso kuva 13

Tarkista akun varaustason merkkivalo varmistaaksesi, että ruohonleikkurin akut ovat täyteen ladattuja. Katso lisätietoja akun käyttöoppaasta.

1. Nosta istuinpaneeli.
2. Nosta paristolokeron kansi.
3. Asenna akku paristokoteloon.

▲ VAROITUS

Kohdista akun ulokkeet akkuporttiin. Varmista, että akun salpa napsahtaa akkulokeroon kunnolla.

4.1.5 ENNEN KONEEN KÄYTTÖÄ

- Varmista, että työalueella ei ole lapsia, sivullisia ja lemmikkieläimiä.
- Tyhjennä työalue kohteista, jotka voivat sinkoutua ruohonleikkurin teristä.
- Tarkista jarrujen toiminta.
- Tarkista rengaspaineet.
- Tarkista löysät kiinnikkeet.
- Tarkista, että kaikki suojuukset ovat paikoillaan ja toimivat oikein.
- Puhdista roskat leikkurista.
- Testaa turvalukitusjärjestelmä.
- Säädä istuin haluttuun asentoon.
- Tarkista akun varaustaso.

4.1.6 TURVAKÄYNNISTYKSEN LUKITUSJÄRJESTELMÄ

Kone on varustettu turvakäynnistyksen lukitusjärjestelmällä, joka koostuu seisontajarrun kytkimistä, käyttäjän läsnäolokytkimestä ja leikkuupöydän terien ON ja OFF-kytkimestä.

Ruohonleikkurin turvakäynnistyksen lukitusjärjestelmä on suunniteltu suojaamaan myös käyttäjää ja muita vahingoilta, jotka johtuvat vetovoimajärjestelmän tahattomasta käynnistymisestä.

Tarkista ruohonleikkurin turvakäynnistyksen lukitusjärjestelmä päivittäin ennen käyttöä. Tämä järjestelmä on ruohonleikkurin tärkeä turvaominaisuus. Se tulee korjata välittömästi, jos se ei toimi. Koneessa on erillinen käyttäjän läsnäolokytkin, joka pysäyttää ajojärjestelmän ja leikkuupöydän moottorit, jos käyttäjä nousee jostain syystä pois istuimelta ruohonleikkurin ollessa toiminnassa. Tämä on turvaominaisuus, joka on suunniteltu estämään koneen karkaaminen tai tahaton sotkeutuminen.

▲ VAROITUS

Turvalukitusjärjestelmää ei saa irrottaa tai ohittaa. Tämä saattaa aiheuttaa koneen odottamattoman toiminnan, mikä voi johtaa henkilövahinkoon.

Järjestelmän tarkastaminen:

1. Käyttäjän on oltava istuimessa, kun testataan käyttäjän läsnäolokytkintä.
2. Käynnistä kone kääntämällä avainta.
3. Vedä ohjauksen ohjausvivut pysäköintipaikkoihin.
4. Vedä PTO-kytkin ylös moottorin käynnistämiseksi.
5. Nouse hitaasti istuimelta. Leikkuupöydän teräjärjestelmän pitäisi pysähtyä.
6. Jos leikkuupöydän teräjärjestelmä ei pysähdy käyttäjän noustessa pois istuimelta, eikä syytä siihen löydy, ota yhteyttä Cramer jälleenmyyjään välittömästi.

4.2 KONEEN KÄYTTÄMINEN

4.2.1 KONEEN KÄYNNISTÄMINEN

Katso kuva 14

i HUOMAA

Tyhjennä alue sivullisista ennen ruohonleikkurin käyttöä. Jos joku tulee leikkuualueelle, lopeta heti, äläkä jatka leikkaamista ennen kuin sivulliset poistuvat alueelta.

1. Nosta ruohonleikkurin leikkuupöytä korkeimpaan asentoon.
2. Aseta virta-avain ja käännä ON-asentoon.
3. Vedä oikeaa ja vasenta ohjauksen ohjausvipua sisäänpäin.
4. Vedä leikkuupöydän PTO-kytkintä käynnistääksesi leikkuuterät leikkaamista varten.

i HUOMAA

Kytke terät päälle vain, kun ohjauksen ohjausvivut ovat VAPAA-asennossa! ÄLÄ KOSKAAN kytke teriä koneen liikkeessä!

5. Aseta ohjauksen ohjausvivut eteenpäin (D) -asentoon ja aja haluttuun leikkuupaikkaan.

i HUOMAA

Ole varovainen ylittäessäsi sorapolkuja tai ajoteitä. Ennen ylitystä kytke terät pois päältä ja nosta leikkuupöytä korkeimpaan asentoon, jotta sinkoutumisten mahdollisuus on mahdollisimman pieni. Aja hitaasti välttääksesi pidon ja hallinnan menetyksen.

i HUOMAA

Älä yritä muuttaa toimintasuuntaa, kun ruohonleikkuri on liikkeessä. Anna koneen pysähtyä täysin ennen leikkuusuunnan vaihtamista.

i HUOMAA

Ohjauksen ohjausvivut nousevat takaisin kohti vapaa-asentoa, jos vapautat ne, mutta sinun on silti ohjattava niitä manuaalisesti päästäksesi vapaa-asentoon.

4.2.2 KONEEN AJAMINEN

Kun vetokäyttöjärjestelmä on käynnistetty, kytke ohjausvivut päälle ja ohjaa seuraavasti:

▲ VAROITUS

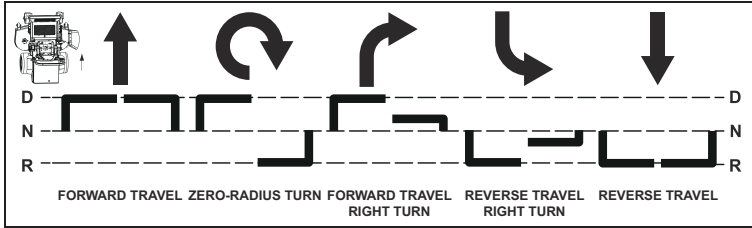
Ole aina tietoinen siitä, mitä koneen takana on, ennen kuin peruutat. Älä leikkaa taaksepäin, ellei se ole ehdottoman välttämätöntä. Katso aina alas ja taakse ennen peruuttamista sekä peruuttamisen aikana.

▲ VAROITUS

Ohjausvipujen nopeaa liikettä ei suositella, koska sähköjärjestelmän komponentit voivat silloin vaurioitua.

- **Ajat eteenpäin** työntämällä ohjauksen ohjausvipuja saman verran eteenpäin.
- **Ajat taaksepäin** vetämällä ohjauksen ohjausvipuja saman verran taaksepäin.
- **Käännyt vasemmalle** siirtämällä oikeaa ohjausvipua vapaa-asennosta eteenpäin enemmän kuin vasenta ohjausvipua.
- **Käännyt oikealle** siirtämällä vasenta ohjausvipua vapaa-asennosta eteenpäin enemmän kuin oikeaa ohjausvipua.
- **Jos haluat tehdä käännöksen paikallaan**, siirrä toista ohjauksen ohjausvipua eteenpäin ja toista ohjauksen ohjausvipua taaksepäin. Tämä sallii vetopyörien pyörimisen vastakkaisiin suuntiin.
- **Pysäytät tai vähennät nopeutta** siirtämällä ohjauksen ohjausvivut vapaa-asentoon. Kun ajat eteenpäin, vedä ohjausvipuja varovasti taaksepäin. Kun peruutat, työnnä ohjausvipuja varovasti eteenpäin.
- **Hätäpysäytykseen** on olemassa kaksi menetelmää, joita voidaan käyttää:
 - Kun ajat eteenpäin tai peruutat, aseta ohjauksen ohjausvivut välittömästi seisontajarruasentoon. Kun leikkaat taaksepäin, työnnä ohjausvipuja varovasti eteenpäin ja vältä äkillisiä liikkeitä. Mikä tahansa äkillinen liike voi aiheuttaa ruohonleikkurin etuosan irtoamisen maasta, mikä johtaa mahdolliseen hallinnan menetykseen aiheuttaen siten vakavan vamman tai kuoleman.
 - Käännä virta-avain OFF-asentoon. Tämä sammuttaa vetokäyttöjärjestelmän ja leikkuupöydän käyttöjärjestelmän.
- **Jos haluat tehdä kolmen pisteen käännöksen oikealle**, siirrä vasenta ohjausvipua vapaa-asennosta eteenpäin enemmän kuin oikeaa ohjausvipua ja aloita kääntyminen. Vedä seuraavaksi ohjausvipuja taaksepäin, kunnes ne ovat vapaa-asennon ohi ja kone alkaa liikkua taaksepäin. Vedä oikeaa ohjausvipua vapaa-asennosta taaksepäin enemmän kuin vasen ohjausvipu, kunnes koneen takaosa on kääntynyt ympäri. Työnnä sitten ohjausvivut eteenpäin, kunnes ne molemmat ovat vapaa-asennon ohi ja kone alkaa liikkua eteenpäin. Työnnä vasenta ohjausvipua vapaa-asennosta eteenpäin enemmän kuin oikea ohjausvipu ja lopeta käännös.
- **Lisää nopeutta** suurentamalla ohjausvivun etäisyyttä vapaa-asennosta. Mitä kauempana ohjausvivut ovat vapaa-asennosta eteenpäin, sitä nopeammin kone kulkee eteenpäin. Mitä kauempana ohjausvivut ovat vapaa-asennosta taaksepäin, sitä nopeammin kone peruuttaa.

RUOHONLEIKKURIN ETUPÄÄ ON TÄHÄN SUUNTAAN



N= VAPAA-ASENTO

D= AJOASENTO

R= PERUUTUSASENTO

Nuolien suunta ilmaisee ruohonleikkurin liikkumissuunnan



Vasen ohjauksen ohjausvipu

Oikea ohjauksen ohjausvipu

4.2.3 KONEEN PYSÄYTTÄMINEN

▲ VAARA

Älä koskaan tee äkillisiä pysähdyksiä tai käännä suuntaa äkillisesti etenkään rinteessä. Ohjaus on suunniteltu reagoimaan herkästi. Ohjausvipujen nopea liike jompaankumpaan suuntaan voi aiheuttaa koneen reaktion, joka voi aiheuttaa vakavan vamman.

1. Palauta ohjauksen ohjausviput vapaa-asentoon. Työnnä ohjauksen ohjausviput ulospäin seisontajarruasentoon.
2. Kytke leikkuupöydän terät pois päältä painamalla terien ON/OFF-kytkin (PTO) alas.
3. Käännä virtakytkimen avain OFF-asentoon.

▲ VARO

Virta-avain on suositeltavaa poistaa koneesta, jotta kone ei käynnisty vahingossa.

4.2.4 KÄYTTÄ USB-PORTTIA

Katso kuva 15

USB-latausportti tarjoaa 5 voltin DC-lataustehon jopa 2,1 ampeerilla matkapuhelimellesi, MP3-soittimelle tai muille USB-laitteille. Katso laitteesi käyttöoppaasta erityiset latausvaatimukset.

Kytke USB-kaapelin (ei mukana) toinen pää laitteeseesi ja toinen pää ruohonleikkurin USB-latausporttiin aloittaaksesi laitteesi lataamisen.

i HUOMAA

Nimellisiarvoltaan yli 2,1 ampeerin laitteiden latausyritys voi vahingoittaa USB-latausporttia ja/tai ruohonleikkuria.

i HUOMAA

USB-porttiin kytetään virta vasta, kun kone käynnistyy.

▲ VAROITUS

Älä koskaan käytä kuulokkeita tai mitään elektronista laitetta, kuten älypuhelin tai tablettia, kun käytät ruohonleikkuria. Tarkkaamaton käyttö voi johtaa onnettomuuteen, joka voi aiheuttaa käyttäjän tai sivullisen kuoleman tai vakavan henkilövahingon.

4.2.5 KÄYTTÖEHDOTUKSIA

▲ VAARA

Ennen käyttöä käyttäjän tulee tuntee perusteellisesti koneen oikea käyttö ja toiminta, hänen tulee lukea huolellisesti koko käyttöopas ja hänen on kokeiltava hitaita liikkeitä perehtyäkseen toimintaan ennen normaalien nopeuksien käytön yrittämistä. Kokematon käyttäjä ei saa leikata rinteissä tai epätasaisessa maastossa.

▲ VAROITUS

Jos menetät ohjauksen hallinnan koneen käytön aikana, aseta ohjauksen ohjausvivut välittömästi seisontajarruasentoon ja käännä virta-avain OFF-asentoon. Tarkasta kone ja ota yhteyttä Cramer jälleenmyyjään ongelman ratkaisemiseksi ennen käytön jatkamista.

▲ VAROITUS

Laitteen ohjausvivut reagoivat herkästi. Sujuvan toiminnan varmistamiseksi liikuta vipuja hitaasti välttämällä äkillisiä liikkeitä. Taito ja käytön helppous tulevat käytännön ja kokemuksen myötä. Kone voi pyörähtää erittäin nopeasti. Ole varovainen käännöksiä tehdessä ja hidasta ennen jyrkkiä käännöksiä.

Kokemattomilla käyttäjillä voi olla taipumus ohjata liikaa ja menettää hallinta. Suosittelemme hitaita harjoitteluliikkeitä koneen ominaisuuksiin tutustumiseksi ennen normaalinopeuksien käytön yrittämistä.

▲ VAROITUS

Syviä laskeutumia tai koholla olevia esteitä (kuten vesikouruja tai reunakiveyksiä) ei saa lähestyä suoraan suurella nopeudella yrittämällä "hypätä" yli, koska käyttäjä voi sinkoutua laitteesta ulos. Lähesty hitaalla nopeudella ja käännä yksi vetopyörä esteeseen. Jatka kulmassa, kunnes pyörä irtoaa, ja käännä sitten vastakkainen pyörä ympäri.

Kun käännät pehmeällä tai märeällä nurmella, pidä molemmat pyörät pyörimässä joko eteenpäin tai taaksepäin. Pysähtyneen pyörän kääntäminen voi vahingoittaa nurmea. Pidä terät terävinä. Monet virheellisiin leikkuukuvioihin liittyvät ongelmat johtuvat tylsistä tai väärin teroitetuista teristä. Terän terävyys tulee tarkistaa päivittäin.

▲ VAARA

Älä koskaan työskentele terien kanssa, kun avain on virtalukossa. Aseta leikkuupyöydän terien ON/OFF-kytkin (PTO) aina pysäytettyyn asentoon, aseta ohjausvivut seisontajarruasentoon ja käännä avain OFF-asentoon ja irrota avain kytkinlukosta. Estä leikkurin liike, kun sinun on työskenneltävä sen alla. Käytä käsineitä teriä käsitellessäsi. Tarkista aina terän vauriot, jos ruohonleikkuri osuu kiveen, oksaan tai muuhun vieraaseen esineeseen leikkaamisen aikana.

- **Ohjaa ruohonpoisto oikealle** pois leikkaamattomalta alueelta. Valitse leikkuutapa, joka ohjaa ruohon poiston leikkuualueen ulkopuolelle. Yleensä tämä tarkoittaa käyttöä, jossa käännökset ovat vasemmalle, koska purkaminen tapahtuu oikealle sivulle. Joka tapauksessa vältä ruohon poistamista leikkaamattomalle alueelle, koska ruoho leikataan silloin "kahdesti". Leikkaus kahdesti kuormittaa konetta tarpeettomasti ja heikentää leikkuutehoa.
- **Kun leikkaat nurmikkoa ensimmäistä kertaa**, jätä ruoho hieman normaalia pidemmäksi, jotta vältät epätasaisen nurmikon leikkaamisen paljaaksi. Mikäli mahdollista, on parasta käyttää samaa leikkuukorkeutta kuin aiemmin. Kun leikattava ruoho on yli 152 mm:n pituista, ruoho kantaa ehkä leikata kahteen kertaan hyvän leikkuulaadun varmistamiseksi.
- **Normaalin ruohonleikkurin aikana** leikkaa vain noin 38 mm ruohon pituudesta. Suuremman pituuden leikkaamista ei suositella, ellei ruoho ole harvaa tai ole myöhäinen syksy.
- **Vaihtele leikkuusuuntaa leikkausten välillä**, jotta ruoho kasvaa suoraan ja leikkuujätteet jakautuvat paremmin.
- **Muista, ruoho kasvaa eri nopeuksilla** eri vuodenaikoina. Leikkaa ruoho useammin alkukevällä, jotta leikkuukorkeus pysyy samana. Vähennä leikkuukertoja keskikesällä, jolloin ruohon kasvu hidastuu. Jos et pysty leikkaamaan ruohoa säännöllisin väliajoin, käytä ensin korkeaa leikkuukorkeutta ja leikkaa sitten uudelleen kahden päivän kuluttua pienemmällä leikkuukorkeudella.
- **Nosta ruohonleikkurin leikkuukorkeutta**, jos ruohonleikkurin leikkuuleveys on leveämpi kuin edellisen ruohonleikkurin. Näin varmistat, ettet leikkaa epätasaista nurmikkoa liian lyhyeksi.

- **Nosta ruohonleikkurin leikkuukorkeutta**, jos ruoho on hieman normaalia pidempää tai jos sen kosteusaste on korkea. Leikkaa se sitten uudestaan alemman leikkuukorkeuden ollessa asetettuna.
- **Jos koneen eteenpäin suuntautuva liike on pysäytettävä** kesken leikkuun, nummikolle voi pudota leikkuujätettä. Tämän välttämiseksi siirry aiemmin leikatulle alueelle terät kytkettyinä.
- **Lataa akku välittömästi**, jos koneen akkuteho on alle 5 %.

Mallin nro	Akun kapasiteetti	Toimenpide	Akun kapasiteetti	Toimenpide
82ZT107	≤5%	Suurin ajonopeus on 6.4 km/t.	≤5%	Toimiva terä pysähtyy automaattisesti. Laite tulee välittömästi palauttaa akun latausalueelle ja liittää akkulaturiin.

- **Anna moottoreiden jäähtyä 30 minuuttia**. Jos käyttömoottori ylittää ohjelmoidun lämpötilan, moottorin nopeus laskee. Jos lämpötila jatkaa nousuaan, käyttömoottori sammuu korkeammalla ohjelmoidulla lämpötilalla.

4.2.6 KÄYTTÖ RINTEESSÄ

Katso kuva 16

Rinteet ovat merkittävä tekijä hallinnan menetyksessä ja koneen kaatumisessa, joka voi johtaa vakavaan loukkaantumiseen tai kuolemaan. Kaikki rinteet vaativat erityistä huolellisuutta. Jos et pysty peruuttamaan rinnettä ylöspäin tai tunnet olosi epävarmaksi, älä leikkaa rinnettä.

- Liiku valmistajan suosittelemaan suuntaan rinteissä. Ole varovainen, kun käytät lähellä laskevia rinteitä.
- Älä käytä konetta missään olosuhteissa, joissa vetovoima, ohjaus tai vakaus on kyseenalainen. Renkaat voivat luistaa vaikka pyörät pysähtyisivät.
- Pidä kone aina vaihteet päällä liikkeessäsi rinnettä alaspäin. Älä vaihda vapaalle alamäessä.
- Ole erityisen varovainen, jos käytät konetta rinteissä.
- Älä irrota tai muuta pyöriä.
- Varo reikiä, vakoja, kuoppia, kiviä ja muita piilossa olevia kohteita. Epätasainen maanpinta saattaa kaataa koneen. Korkea ruoho voi peittää esteitä.
- Poista kaikki esteet kuten kivet, puiden oksat, roskat jne.
- Liiku aina rinteissä hitaasti ja asteittain. Älä tee äkillisiä muutoksia nopeuteen tai suuntaan.
- Vältä käynnistämistä ja pysäyttämistä rinteessä. Jos renkaat menettävät pidon, pysäytä terät ja jatka hitaasti suoraan alaspäin rinnettä.
- Leikkaa turvallisen etäisyyden (vähintään 3 metriä) päässä pudotuksista, tukimuureista, kuivatusojista, penkereistä, vedestä ja muista vaaroista välttääksesi pyörän putoamisen reunan yli tai maan petteämisen. Tämä vähentää koneen äkillisen kaatumisen vaaraa, mikä voi aiheuttaa vakavan loukkaantumisen tai kuoleman.
- Käytä rinteissä, pudotusten, jyrkkien penkereiden, ojien tai veden lähetyksillä työnnettävää ruohonleikkuria tai käsikäyttöistä trimmeriä.
- Älä leikkaa märkää ruohoa. Heikentynyt pito voi aiheuttaa liukumista ja ohjauksen hallinnan menettämisen.
- Älä hinaa konetta rinteissä. Hinattavan kaluston paino voi aiheuttaa pidon ja hallinnan menetyksen.
- Jos ruohonleikkurin renkaat menettävät pidon rinteessä ajettaessa, pysäytä leikkuupyörydän vetolaite, aseta ohjausvivut seisontajarruasentoon, käännä virta-avain OFF-asentoon, irrota avain ja pyydä apua.
- Älä koskaan tee äkillisiä käynnistyksiä, pysäytyksiä, käännöksiä tai peruutuksia etenään rinteissä. Ohjaus on suunniteltu reagoimaan herkästi. Ohjausvipujen nopea liike jompaankumpaankin suuntaan voi aiheuttaa koneen reaktion, joka voi aiheuttaa vakavan vammaan.
- Älä koskaan pysähdy äkillisesti, kun peruutat rinteissä. Tämä toimenpide voi aiheuttaa koneen reaktion, joka voi johtaa vakavaan fyysiseen vammaan.
- Cramer Ruohonleikkuri pystyy toimimaan vaakasuooraan (poikittain) kohtuullisissa rinteissä. Kun työskentelet korkeintaan 15 asteen rinteissä, varo kaikkia olosuhteita, jotka voivat aiheuttaa ruohonleikkurin vetopyörien pidon menettämisen, mikä voi johtaa koneen hallinnan menettämiseen. Käyttäjä ei saa työskennellä rinteissä ennen kuin hän on perehtynyt laitteeseen perusteellisesti.

Älä työskentele kaltevuudeltaan yli 15 asteen rinteissä.

Katso rinneopas, kun määrität leikattavan rinteeseen kaltevuuden. On erittäin suositeltavaa, että kuljettaja ajaa koneen pois rinteestä noudattaen äärimmäistä varovaisuutta, jos havaitaan merkkejä pyörien luistamisesta. Odota, kunnes ongelman aiheuttanut tilanne on ratkaistu, ennen kuin yrität ajaa rinteessä uudestaan. Maasto-olosuhteet voivat vaikuttaa pitoon, mikä voi johtaa koneen hallinnan menetykseen. Joitakin varottavia olosuhteita ovat:

1. Märkä maasto
2. Maan painaumat (esim. reiät, urat, huuhtoumat)
3. Multakummut
4. Tietäntyyppiset maaperät (esim. hiekka, muta, sora, savi)
5. Ruohon tyyppi, tiheys ja korkeus
6. Erittäin kuivat olosuhteet
7. Rengaspaine

Ruohonleikkuriin asennetut lisälaitteet vaikuttavat myös tapaan, jolla se käyttäytyy rinteessä. Huomaa, että kunkin lisälaitteen ominaisuudet vaihtelevat.

Nämä ovat vain muutamia esimerkkejä tilanteista, joissa rinteessä työskennellessä on noudatettava varovaisuutta. On monia muitakin, mutta niitä on liian monta mainittavaksi. Muista aina olla erittäin varovainen ajaessasi missä tahansa rinteessä.

5 SÄHKÖJÄRJESTELMÄ

5.1 SÄHKÖJÄRJESTELMÄN TURVALLISUUS

- Poista avain ja akut ja lue käyttöohje ennen laitteen säätämistä tai korjaamista.
- Poista aina avain ja akut ennen kuin työskentelet tällä laitteella.
- Poista aina avain ja akut, kun kuljetat laitetta.
- Poista laitteesta leikkuujätteet, lehdet, lika ja muut roskat. ÄLÄ suihkuta vettä laitteen puhdistamiseksi. Käytä vain paineilmaa. Käytä riittäviä silmä- ja kuulonsuojaimia laitetta puhdistaussasi.
- Käytä aina suojalaseja ja suojavarusteita akun lähellä. Käytä eristettyjä työkaluja.
- Puhdista akkutila, käyttömoottoritila, leikkurin leikkuupöytä, istuin jne. kaikesta liasta ja roskista. Älä käytä liuottimia, voimakkaita puhdistusaineita tai hankausaineita.
- Kun avain ON-asennossa, ruohonleikkurin terä voi kytkeytyä, kun leikkuupöydän terien ON/OFF-kytkin (PTO) on kytketty, vaikka käyttömoottori ei toimitakaan. Pidä sivulliset poissa alueelta, kun kytket leikkuupöydän terän ON/OFF-kytkimen.
- Kaikki huolto- ja varastointitilat tulee tuulettaa asianmukaisesti sovellettavien palomääräysten ja -säännösten mukaisesti palovaaran välttämiseksi.
- Akkujen lähellä ei saa olla liekkejä, kipinöintiä tai tupakointia.
- Pidä akut poissa lasten ulottuvilta.
- Pidä suojakilvet, kannet ja suojukset aina paikoillaan ja kunnolla kiinnitettyinä. Jos ne vaurioituvat, korjaa tai vaihda ne välittömästi. Älä koskaan muuta tai poista turvalaitteita.

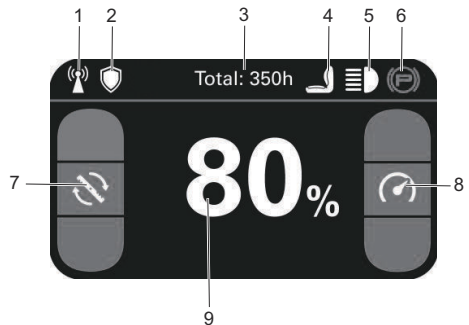
5.2 SÄHKÖJÄRJESTELMÄN TIEDOT


, Cramer Ruohonleikkuri saa virtaa 82 voltin sähköjärjestelmästä. Se koostuu seuraavista osista:



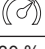
1. Terän ohjain (1)
2. Terän moottori (2)
3. Käyttöohjain1)
4. Kiihdytin – oikea (1)
5. Kiihdytin – vasen (1)
6. Digitaalinen näyttö (1)
7. Pyörän moottori (2)
8. Akku (1)

5.3 DIGITAALINEN NÄYTTÖ

Ohjauspaneelissa sijaitsevan digitaalisen näytön tehtävänä on tarjota tietoja sähköjärjestelmästä käyttäjälle. Se antaa yksityiskohtaista tietoa kuviodien, koodien ja numeroiden muodossa.



#	Nimi	Toiminto
1		4G GPS-signaali
2		GreenShield
3	Yhteensä : 350 t	Ajoneuvon käyttöaika
4		Istuinkytkin on suljettu.
5		LED-valot

#	Nimi	Toiminto
6		Seisontajarru on kytketty.
7		Terän nopeus
8		Ajonopeus
9	80 %.	Akun prosenttiosuus

6 VIRHEET

CANBUS-järjestelmä suojaa käyttäjää ja konetta, kun se havaitsee ongelman. Kun kone tai komponentti sammutetaan, se ilmoittaa, että virhe on tapahtunut, ja tämä virhe näkyy digitaalisessa näytössä. Kaikissa sähkövirheissä on kirjainkoodi, jota seuraa numero. Ensimmäinen kirjain kuvaa järjestelmää, joka aiheutti virheen tämän kaavion mukaisesti:

Nimi	Merkitys
TR	Käyttäjän oikea ohjain ja moottori
TL	Vasen ohjain ja moottori
PMU	Virranhallintayksikkö (akkukotelossa)
ML	Vasemman terän moottorin ohjain
MR	Oikean terän moottorin ohjain

6.1 VIRHEKOODI

Virhekoodi	Kuvaus	Ratkaisu
TR1	Moottorin paikannusvirhe	Käynnistä virtalähde uudelleen.
TR2	Käyttömoottori pysähtyi	Tarkista, ovatko vetopyörät jumissa ja käynnistä virtalähde uudelleen.
TR3	Moottorin alhaisen nopeuden suo- jaus	Käynnistä virtalähde uudelleen.
TR4	Moottorin ylinopeuden suojaus	Käynnistä virtalähde uudelleen.
TR5	Moottorin Hall-anturin virhe	Tarkista, että käyttöohjaimen Hall-ilmioiliitin on kytketty oi- keiin, ja käynnistä sitten virtalähde uudelleen.
TR6	Ohjaimen vaiheen menetys	Tarkista, että käyttöohjaimen moottorikaapelit on kytketty oi- keiin, ja käynnistä sitten virtalähde uudelleen.
TR7	Avoimen MOSFET-piirin virhe	Jos kohtaavat tämän ongelman, ota yhteyttä jakelijaasi ratkai- sun löytämiseksi.
TR8	Ohjaimen alijännite	Jännite on liian alhainen. Lataa akku ennen käyttöä.
TR9	Ohjaimen ylijännite	Jännite on liian korkea. Käynnistä virtalähde uudelleen.
TR10	Akun alhainen lämpötila	Akkulokeron ja akun lämpötila on liian alhainen. Käytä konetta sopivassa lämpötilassa ja käynnistä virtalähde uu- delleen.
TR11	PMU-yliämpötila Korkea akun lämpötila	Paristolokeron ja akun lämpötila on liian korkea. Odota, että akku jäähtyy, ja käynnistä sitten virtalähde uudelleen.
TR12	Moottorin liikumeneminen	Moottorin lämpötila on liian korkea. Odota, että moottori jäähtyy ja käynnistä sitten virtalähde uudelleen.
TR13	Ohjaimen yliämpötila	Säätimen lämpötila on liian korkea. Odota, että ohjain jääh- ty ja käynnistä sitten virtalähde uudelleen.
TR14	Ohjelmiston ylivuoto	Kuorma on liian korkea. Käynnistä virtalähde uudelleen.
TR15	Laitteiston ylivirta	Kuorma on liian korkea. Käynnistä virtalähde uudelleen.
TR16	Nopeusohjaimen virhe	Tarkista, että kahvan nopeusohjain on kytketty oikein, ja käynnistä sitten virtalähde uudelleen.
TR17	Ohjaimen esilatausvirhe	Käynnistä virtalähde uudelleen.
TR18	Jarruvirhe	Käynnistä virtalähde uudelleen.
TR19	Toimintajärjestysvirhe	Aseta vasen ja oikea kahva pysäköintiasentoon ja terän käynnistyskytkin OFF-asentoon. Istu istuimelle ja yritä uu- delleen.
TR20	Kulma-anturin virhe	Käynnistä virtalähde uudelleen.
TR21	Releen virhe	Käynnistä virtalähde uudelleen.
TR22	Magneettiventtiilin virhe	Tarkista, että käyttömoottorin solenoidiventtiili on kytketty oi- keiin, ja käynnistä sitten virtalähde uudelleen.
TR23	Akkulokeron (PMU) viestintähäiriö	Viestintähäiriö akkulokerossa Käynnistä virtalähde uu- delleen.
TR24	Akkulokeron (PMU) häiriö	Pieni/suuri virhe akkulokerossa. Suorita tarkistus ja käynnis- tä virtalähde uudelleen.
TR25	CAN-aikakatkaisuvirhe – vasen käyttö	Viestintähäiriö vasemmassa käyttöohjaimessa. Käynnistä virtalähde uudelleen.

Suomi

Virhekoodi	Kuvaus	Ratkaisu
TR26	CAN aikakatkaisuvirhe – oikea käyttö	Viestintähäiriö oikeassa käyttöohjaimessa. Käynnistä virtalähde uudelleen.
TR27	CAN aikakatkaisuvirhe – vasen terä	Viestintähäiriö vasemman terän ohjaimessa. Käynnistä virtalähde uudelleen.
TR28	CAN aikakatkaisuvirhe – keskiterä	Viestintähäiriö keskiterän ohjaimessa. Käynnistä virtalähde uudelleen.
TR29	CAN aikakatkaisuvirhe – oikea terä	Viestintähäiriö oikean terän ohjaimessa. Käynnistä virtalähde uudelleen.
TR30	Akkulokeron kääntökannen virhe	Tarkista, että istuimen alla oleva liitin on kytketty oikein, ja käynnistä sitten virtalähde uudelleen.
TR31	Käyttäjän läsnäolokytkimen vahvistusvirhe	Tarkista, että istuimen alla oleva liitin on kytketty oikein, ja käynnistä sitten virtalähde uudelleen.
TR32	Ohjelmiston todennusvirhe	Käynnistä virtalähde uudelleen.
TL1	Moottorin paikannusvirhe	Käynnistä virtalähde uudelleen.
TL2	Käyttömoottori pysähtyi	Tarkista, ovatko vetopyörät jumissa ja käynnistä virtalähde uudelleen.
TL3	Moottorin matalan nopeuden suojaus	Käynnistä virtalähde uudelleen.
TL4	Moottorin ylinopeuden suojaus	Käynnistä virtalähde uudelleen.
TL5	Moottorin Hall-anturin virhe	Tarkista, että käyttöohjaimen Hall-ilmiöliitin on kytketty oikein, ja käynnistä sitten virtalähde uudelleen.
TL6	Ohjaimen vaiheen menetys	Tarkista, että käyttöohjaimen moottorikaapelit on kytketty oikein, ja käynnistä sitten virtalähde uudelleen.
TL7	Avoimen MOSFET-piirin virhe	Jos kohtaavat tämän ongelman, ota yhteyttä jakelijaasi ratkaisun löytämiseksi.
TL8	Ohjaimen alijännite	Jännite on liian alhainen. Lataa akku ennen käyttöä.
TL9	Ohjaimen ylijännite	Jännite on liian korkea. Käynnistä virtalähde uudelleen.
TL10	Akun alhainen lämpötila	Akkulokeron ja akun lämpötila on liian alhainen. Käytä konetta sopivassa lämpötilassa ja käynnistä virtalähde uudelleen.
TL11	PMU-yliämpötila Korkea akun lämpötila	Paristolokeron ja akun lämpötila on liian korkea. Odota, että akku jäähtyy, ja käynnistä sitten virtalähde uudelleen.
TL12	Moottorin ylikuumentuminen	Moottorin lämpötila on liian korkea. Odota, että moottori jäähtyy ja käynnistä sitten virtalähde uudelleen.
TL13	Ohjaimen yliämpötila	Säätimen lämpötila on liian korkea. Odota, että ohjain jäähtyy ja käynnistä sitten virtalähde uudelleen.
TL14	Ohjelmiston ylivuoto	Kuorma on liian korkea. Käynnistä virtalähde uudelleen.
TL15	Laitteiston ylivirta	Kuorma on liian korkea. Käynnistä virtalähde uudelleen.
TL16	Nopeusohjaimen virhe	Tarkista, että kahvan nopeusohjain on kytketty oikein, ja käynnistä sitten virtalähde uudelleen.
TL17	Ohjaimen esilatausvirhe	Käynnistä virtalähde uudelleen.
TL18	Jarruvirhe	Käynnistä virtalähde uudelleen.
TL19	Toimintajärjestysvirhe	Aseta vasen ja oikea kahva pysäköintiasentoon ja terän käynnistyskytkin OFF-asentoon. Istu istuimelle ja yritä uudelleen.

Virhekoodi	Kuvaus	Ratkaisu
TL20	Kulma-anturin virhe	Käynnistä virtalähde uudelleen.
TL21	Releen virhe	Käynnistä virtalähde uudelleen.
TL22	Magneettiventtiilin virhe	Tarkista, että käyttömoottorin solenoidiventtiili on kytketty oikein, ja käynnistä sitten virtalähde uudelleen.
TL23	Akkulokeron (PMU) viestintähäiriö	Viestintähäiriö akkulokerossa Käynnistä virtalähde uudelleen.
TL24	Akkulokeron (PMU) häiriö	Pieni/suuri virhe akkulokerossa. Suorita tarkistus ja käynnistä virtalähde uudelleen.
TL25	CAN-aikakatkaisuvirhe – vasen käyttö	Viestintähäiriö vasemmassa käyttöohjaimessa. Käynnistä virtalähde uudelleen.
TL26	CAN aikakatkaisuvirhe – oikea käyttö	Viestintähäiriö oikeassa käyttöohjaimessa. Käynnistä virtalähde uudelleen.
TL27	CAN aikakatkaisuvirhe – vasen terä	Viestintähäiriö vasemman terän ohjaimessa. Käynnistä virtalähde uudelleen.
TL28	CAN aikakatkaisuvirhe – keskiterä	Viestintähäiriö keskiterän ohjaimessa. Käynnistä virtalähde uudelleen.
TL29	CAN aikakatkaisuvirhe – oikea terä	Viestintähäiriö oikean terän ohjaimessa. Käynnistä virtalähde uudelleen.
TL30	Akkulokeron kääntökannen virhe	Tarkista, että istuimen alla oleva liitin on kytketty oikein, ja käynnistä sitten virtalähde uudelleen.
TL31	Istuimen kytkimen vahvistusvirhe	Tarkista, että istuimen alla oleva liitin on kytketty oikein, ja käynnistä sitten virtalähde uudelleen.
TL32	Ohjelmiston todennusvirhe	Käynnistä virtalähde uudelleen.
ML1	Moottorin paikannusvirhe	Käynnistä virtalähde uudelleen.
ML2	Terän moottori pysähtyi	Tarkista leikkauskuormitus ja palauta terän aloituskytkin alkuperäiseen asentoonsa.
ML3	Moottorin alhaisen nopeuden suojaus	Käynnistä virtalähde uudelleen.
ML4	Moottorin ylinopeuden suojaus	Käynnistä virtalähde uudelleen.
ML5	Moottorin Hall-anturin virhe	Tarkista, että teräohjaimen Hall-ilmiöliitin on kytketty oikein, ja käynnistä sitten virtalähde uudelleen.
ML6	Ohjaimen vaiheen menetys	Tarkista, että käyttöohjaimen moottorikaapelit on kytketty oikein, ja käynnistä sitten virtalähde uudelleen.
ML7	Avoimen MOSFET-piirin virhe	Jos kohtaat tämän ongelman, ota yhteyttä jakelijaasi ratkaisun löytämiseksi.
ML8	Ohjaimen alijännite	Jännite on liian alhainen. Lataa akku ennen käyttöä.
ML9	Ohjaimen ylijännite	Jännite on liian korkea. Käynnistä virtalähde uudelleen.
ML10	Akun alhainen lämpötila	Akkulokeron ja akun lämpötila on liian alhainen. Käytä konetta sopivassa lämpötilassa ja käynnistä virtalähde uudelleen.
ML11	PMU-yliämpötila Korkea akun lämpötila	Paristolokeron ja akun lämpötila on liian korkea. Odota, että akku jäähtyy, ja käynnistä sitten virtalähde uudelleen.
ML12	Moottorin ylikuumeneminen	Moottorin lämpötila on liian korkea. Odota, että moottori jäähtyy ja käynnistä sitten virtalähde uudelleen.

Virhekoodi	Kuvaus	Ratkaisu
ML13	Ohjaimen ylälämpötila	Säätimen lämpötila on liian korkea. Odota, että ohjain jäähtyy, ja käynnistä sitten virtalähde uudelleen.
ML14	Ohjelmiston ylivuoto	Kuorma on liian korkea. Käynnistä virtalähde uudelleen.
ML15	Laitteiston ylivirta	Kuorma on liian korkea. Käynnistä virtalähde uudelleen.
ML16	Nopeusohjaimen virhe	Tarkista, että kahvan nopeusohjain on kytketty oikein, ja käynnistä sitten virtalähde uudelleen.
ML17	Ohjaimen esilatausvirhe	Käynnistä virtalähde uudelleen.
ML18	Jarruvirhe	Käynnistä virtalähde uudelleen.
ML19	Toimintajärjestysvirhe	Aseta vasen ja oikea kahva pysäköintiasentoon ja terän käynnistyskytkin OFF-asentoon. Istu istuimelle ja yritä uudelleen.
ML20	Kulma-anturin virhe	Käynnistä virtalähde uudelleen.
ML21	Releen virhe	Käynnistä virtalähde uudelleen.
ML22	Magneettiventtiilin virhe	Tarkista, että moottorin magneettiventtiili on kytketty oikein, ja käynnistä sitten virtalähde uudelleen.
ML23	Akkulokeron (PMU) viestintähäiriö	Viestintähäiriö akkulokerossa Käynnistä virtalähde uudelleen.
ML24	Akkulokeron (PMU) häiriö	Pieni/suuri virhe akkulokerossa. Suorita tarkistus ja käynnistä virtalähde uudelleen.
ML25	CAN-aikakatkaisuvirhe – vasen käyttö	Viestintähäiriö vasemmassa käyttöohjaimessa. Käynnistä virtalähde uudelleen.
ML26	CAN aikakatkaisuvirhe – oikea käyttö	Viestintähäiriö oikeassa käyttöohjaimessa. Käynnistä virtalähde uudelleen.
ML27	CAN aikakatkaisuvirhe – vasen terä	Viestintähäiriö vasemman terän ohjaimessa. Käynnistä virtalähde uudelleen.
ML28	CAN aikakatkaisuvirhe – keskiterä	Viestintähäiriö keskiterän ohjaimessa. Käynnistä virtalähde uudelleen.
ML29	CAN aikakatkaisuvirhe – oikea terä	Viestintähäiriö oikean terän ohjaimessa. Käynnistä virtalähde uudelleen.
ML30	Akkulokeron kääntökannen virhe	Tarkista, että istuimen alla oleva liitin on kytketty oikein, ja käynnistä sitten virtalähde uudelleen.
ML31	Terän signaalin vahvistaminen epäonnistui	Tarkista, että terän käynnistyskytkin on kytketty oikein, ja palauta sitten kytkin alkuperäiseen asentoonsa.
ML32	Ohjelmiston todennusvirhe	Käynnistä virtalähde uudelleen.
MR1	Moottorin paikannusvirhe	Käynnistä virtalähde uudelleen.
MR2	Terän moottori pysähtyi	Tarkista leikkauskuormitus ja palauta terän aloituskytkin alkuperäiseen asentoonsa.
MR3	Moottorin alhaisen nopeuden suojaus	Käynnistä virtalähde uudelleen.
MR4	Moottorin ylinopeuden suojaus	Käynnistä virtalähde uudelleen.
MR5	Moottorin Hall-anturin virhe	Tarkista, että teräohjaimen Hall-ilmiöliitin on kytketty oikein, ja käynnistä sitten virtalähde uudelleen.
MR6	Ohjaimen vaiheen menetys	Tarkista, että käyttöohjaimen moottorikaapelit on kytketty oikein, ja käynnistä sitten virtalähde uudelleen.

Virhekoodi	Kuvaus	Ratkaisu
MR7	Avoimen MOSFET-piirin virhe	Jos kohtaat tämän ongelman, ota yhteyttä jakelijaasi ratkaisun löytämiseksi.
MR8	Ohjaimen alijännite	Jännite on liian alhainen. Lataa akku ennen käyttöä.
MR9	Ohjaimen ylijännite	Jännite on liian korkea. Käynnistä virtalähde uudelleen.
MR10	Akun alhainen lämpötila	Akkulokeron ja akun lämpötila on liian alhainen. Käytä konetta sopivassa lämpötilassa ja käynnistä virtalähde uudelleen.
MR11	PMU-yliämpötila Korkea akun lämpötila	Paristolokeron ja akun lämpötila on liian korkea. Odota, että akku jäähtyy, ja käynnistä sitten virtalähde uudelleen.
MR12	Moottorin liikumeneminen	Moottorin lämpötila on liian korkea. Odota, että moottori jäähtyy ja käynnistä sitten virtalähde uudelleen.
MR13	Ohjaimen yliämpötila	Säätimen lämpötila on liian korkea. Odota, että ohjain jäähtyy ja käynnistä sitten virtalähde uudelleen.
MR14	Ohjelmiston ylivuoto	Kuorma on liian korkea. Käynnistä virtalähde uudelleen.
MR15	Laitteiston ylivirta	Kuorma on liian korkea. Käynnistä virtalähde uudelleen.
MR16	Nopeusohjaimen virhe	Tarkista, että kahvan nopeusohjain on kytketty oikein, ja käynnistä sitten virtalähde uudelleen.
MR17	Ohjaimen esilatausvirhe	Käynnistä virtalähde uudelleen.
MR18	Jarruvirhe	Käynnistä virtalähde uudelleen.
MR19	Toimintajärjestysvirhe	Aseta vasen ja oikea kahva pysäköintiasentoon ja terän käynnistyskytkin OFF-asentoon. Istu istuimelle ja yritä uudelleen.
MR20	Kulma-anturin virhe	Käynnistä virtalähde uudelleen.
MR21	Releen virhe	Käynnistä virtalähde uudelleen.
MR22	Magneettiventtiilin virhe	Tarkista, että moottorin magneettiventtiili on kytketty oikein, ja käynnistä sitten virtalähde uudelleen.
MR23	Akkulokeron (PMU) viestintähäiriö	Viestintähäiriö akkulokerossa Käynnistä virtalähde uudelleen.
MR24	Akkulokeron (PMU) häiriö	Pieni/suuri virhe akkulokerossa. Suorita tarkistus ja käynnistä virtalähde uudelleen.
MR25	CAN-aikakatkaisuvirhe – vasen käyttö	Viestintähäiriö vasemmassa käyttöohjaimessa. Käynnistä virtalähde uudelleen.
MR26	CAN aikakatkaisuvirhe – oikea käyttö	Viestintähäiriö oikeassa käyttöohjaimessa. Käynnistä virtalähde uudelleen.
MR27	CAN aikakatkaisuvirhe – vasen terä	Viestintähäiriö vasemman terän ohjaimessa. Käynnistä virtalähde uudelleen.
MR28	CAN aikakatkaisuvirhe – keskiterä	Viestintähäiriö keskiterän ohjaimessa. Käynnistä virtalähde uudelleen.
MR29	CAN aikakatkaisuvirhe – oikea terä	Viestintähäiriö oikean terän ohjaimessa. Käynnistä virtalähde uudelleen.
MR30	Akkulokeron kääntökannen virhe	Tarkista, että istuimen alla oleva liitin on kytketty oikein, ja käynnistä sitten virtalähde uudelleen.
MR31	Terän signaalin vahvistaminen epäonnistui	Tarkista, että terän käynnistyskytkin on kytketty oikein, ja palauta sitten kytkin alkuperäiseen asentoonsa.
MR32	Ohjelmiston todennusvirhe	Käynnistä virtalähde uudelleen.

Suomi

Virhekoodi	Kuvaus	Ratkaisu
PMU10	Avoin piiri akun PMU:ssa	Kytkemätön akku akkulokerossa; voi vaikuttaa koneen suorituskykyyn.
PMU11	PMU pieni virhe	Pieni virhe akkulokerossa esti teräjärjestelmän käynnistymisen. Odota, että järjestelmä palautuu, ja nollaa sitten terän käynnistyskytkin.
PMU12	PMU-kriittinen virhe	Suuri virhe akkulokerossa esti käyttö- ja teräjärjestelmien käynnistymisen. Käynnistä virtalähde uudelleen ja yritä uudelleen.
PMU13	PMU ei akkua saatavana	Tarkista, että käytät oikeaa akkua, ja käynnistä sitten virtalähde uudelleen.

7 KUNNOSSAPITO

7.1 RUOHONLEIKKURIN TERÄN KUNNOSSAPITO

Tarkista ruohonleikkurin terät päivittäin. Ne ovat tärkeitä tehokkuuden ja hyvin hoidetun nurmikon kannalta. Pidä ne terävinä – tylsä terä repii mieluummin kuin leikkaa ruohoa, jolloin nurmikkoon jää muutamassa tunnissa ruskea repaleinen pinta. Tylsä terä vaatii myös enemmän tehoa. Vaihda kaikki terät, jotka ovat taipuneet, halkeilleet tai rikkoutuneet.

FI

▲ VAROITUS

Älä koskaan yritä suoristaa taipunutta terää kuumentamalla tai hitsaa halkeillutta tai rikkoutunutta terää, koska terä voi katketa ja aiheuttaa vakavan loukkaantumisen. Vaihda kuluneet tai vaurioituneet terät.

▲ VAROITUS

Älä koskaan työskentele terien kanssa, kun avain on virtalukossa. Käännä avain "OFF"-asentoon, poista akut koneesta. Estä leikkurin liike, kun sinun on työskenneltävä sen alla. Käytä käsineitä teriä käsitellessäsi. Tarkista aina terän vauriot, jos ruohonleikkuri osuu kiveen, oksaan tai muuhun vieraaseen esineeseen!

▲ VAARA

Korjailuterointo voidaan tehdä viilalla. Tarkista terien tasapaino hionnan jälkeen. Kaupallinen tasapainotustyökalu on saatavilla useimmista rautakaupoista tai tasapainotus voidaan tehdä asettamalla terä käännteiseen linjalävistyykseen tai 12,7 mm:n pulttiin. Terä ei saa nojata tai kallistua. Kun terää pyöritetään hitaasti, sen ei pitäisi heilua. Jos terä on epätasapainossa, korjaa se ennen uudelleenasetusta. Aseta terä tasaiselle pinnalle ja tarkista vääristymien varalta. Vaihda vääristynyt terä.

▲ VAROITUS

- Terän purjeen (kaareva osa) on osoitettava ylöspäin leikkuupöydän sisäpuolta kohti oikean leikkaamisen varmistamiseksi.
- Kun asennat teriä, kierrä niitä asennuksen jälkeen varmistaaksesi, että terän kärjet eivät kosketa toisiaan tai ruohonleikkurin sivuja.
- Pultin oikean vääntömomentin virhe voi johtaa terän irtoamiseen, mikä voi aiheuttaa vakavan loukkaantumisen.
- Ruohonleikkurin terät ovat teräviä ja voivat leikata. Käytä käsineitä ja ole erityisen varovainen huoltaessasi teriä.

7.1.1 TERÄN VAIHTAMINEN

Katso kuva 17

1. Pysäytä moottori, irrota virta-avain ja aseta seisontajarru.
2. Nosta leikkuupöydän korkeus korkeimpaan asentoonsa, jotta teriin pääsee käsiksi.

Suomi

i HUOMAA

Nosta ruohonleikkuria tarvittaessa nostimella tai käyttämällä tunkkia ja telineitä tai irrota leikkuupöytä edellisessä kohdassa kuvatulla tavalla, jotta pääset käsiksi teriin.

▲ VAROITUS

Jos nostat ruohonleikkuria teriin käsiksi pääsemiseksi, varmista, että ruohonleikkuri on kiinnitetty kunnolla ja seisontajarru on kytketty, ennen kuin jatkat. Jos ruohonleikkuria ei kiinnitetä kunnolla, se voi kaatua ja aiheuttaa kuoleman tai mahdollisen vakavan henkilövahingon.

- Kiilaa puupalikka terän ja ruohonleikkurin väliin terän kääntymisen estämiseksi.
- Löysää terän mutteri kääntämällä sitä vastapäivään (ruohonleikkurin pohjasta katsottuna) 16 mm:n jakoavaimella tai hylsyavaimella (ei mukana).
- Poista terän mutteri, välilevy, terän eriste ja terä.
- Kierrä terän mutteri akseliin ja kiristä sormikireyteen.
- Kiristä terän mutteri myötäpäivään momenttiavaimella (ei mukana) varmistaaksesi, että pultti on oikein kiristetty. Terän mutterin suositeltava vääntömomentti on 90–100 Nm (66–74 ft.lbs).

▲ VAROITUS

Varmista, että terä on asettunut kunnolla paikalleen ja että terän mutteri on kiristetty yllä olevien momenttiohjeiden mukaisesti. Jos terää ei kiinnitetä kunnolla, se voi irrota ja aiheuttaa vakavia henkilövahinkoja.

- Toista tarvittaessa toisella terällä.

i HUOMAA

Varmista, että kaikki osat vaihdetaan täsmälleen samassa järjestyksessä kuin ne on irrotettu.

7.2 RENKAAT

Tasoleikkuussa on tärkeää, että kaikissa renkaissa on oikea ilmanpaine. Suositellut paineet ovat:

i HUOMAA

Rengaspaineet pitää mitata tai säätää vain renkaiden ollessa kylmiä.

Vetopyörät	8 psi
Eturullapyörät	37 psi

i HUOMAA

Tarkista renkaat päivittäin. Vaihda välittömästi, jos niissä on vaurioita.

▲ VAROITUS

Tarkista rengaspaineet huolellisesti täyttämisen yhteydessä. Liian paljon ilmaa renkaassa voi saada renkaan halkeamaan ja aiheuttaa vakavia henkilövahinkoja.

7.3 VOITELU

Katso kuva 19

Lisää öljyä ennen käyttöä.

Öljyn tyyppi	SAE85W-140
Öljyn tilavuus	180 ml

Ota yhteys Cramer jälleenmyyjään voiteluaineen vaihtamiseksi.

FI

i HUOMAA

Vaihda vaihteistoöljy, kun olet käyttänyt konetta ensimmäiset 50 tuntia, ja vaihda öljy sen jälkeen 200 tunnin välein.

7.4 VÄÄNTÖMOMENTTIARVOT**▲ VAROITUS**

Erityistä huomiota on kiinnitettävä vetopyörän mutterien ja terän karapulttien kiristämiseen. Jos näitä kohtia ei kiristetä oikein, seurauksena voi olla pyörän tai terän irtoaminen, mikä voi aiheuttaa vakavia vaurioita tai henkilövahinkoja.

Vääntömomenttiarvot on annettu alla:

Osa	Ft.-lbs.	Nm
Pyörän (korvakkeen) mutterit	89	120
Terän karapultti	66	90

Vain pyöränmutterit –On suositeltavaa tarkistaa ne ensimmäisten 2 käyttötunnin jälkeen, sen jälkeen 100 käyttötunnin välein ja korjauksen tai vaihdon jälkeen.

7.5 AKUN HUOLTAMINEN

Tämä Cramer ruohonleikkuri saa virtansa akusta, joka oikein huollettuna tarjoaa vuosien käyttöä. Noudata seuraavia ohjeita asianmukaisen huollon varmistamiseksi:

- Lataa akut aina jokaisen käyttökerran jälkeen.
- Kun akku on täysin tyhjentynyt ja sammutettu, akku kannattaa ladata mahdollisimman pian. Akun ylipurkauminen tarkoittaa sitä, että akun käyttöikä lyhenee ja akku voi vaurioitua pysyvästi. Jos täyteen latausta ei tarvita, on hyödyllistä ladata akkua vaikka vain 5–10 minuuttia. On parasta ladata se 24 tunnin kuluessa.
- Pidä ruoho, lika ja roskat poissa akun napojen läheisyydestä ja akun alueelta.
- Lataa akut sisätiloissa hyvin tuuletetussa ja kuivassa paikassa, jossa ei ole kipinöitä tai liekkejä. Älä koskaan altista laturia sateelle, höyrylle tai nesteelle.
- Lataa vain litiumakkuja, jotka on toimittanut Cramer.
- Älä kosketa eristämätöntä osaa laturista (liitinnastat) tai lähtöliitintä.
- Älä käytä viallisia johtoja ja johtimia. Vaihda vialliset johdot ja johtimet välittömästi.
- Varmista pitkäaikaisessa säilytyksessä, että säilytyslämpötila on -20–45 °C kuukauden ajan ja 0–35 °C kahden ja kahdentoista kuukauden välillä.
- Akku voidaan purkaa -20–55 °C:n lämpötilassa ja ladata 0–55 °C:n lämpötilassa.

7.6 AKKULOKERON SUODATTIMEN HUOLTO

Vaihda paristolokeron suodatin 200 tunnin välein.

7.7 HUOLTO**i TÄRKEÄÄ**

Odota, että kaikki liikkeet pysähtyvät ennen säätämistä, puhdistamista tai korjaamista. Vain koulutettu huoltohenkilöstö saa suorittaa sähkövirtaa vaativia korjauksia tai huoltoja. Lue ja huomioi käyttöoppaan alussa olevat turvallisuusvaroitukset.

i TÄRKEÄÄ

Vain koulutettu huoltohenkilöstö saa suorittaa sähkövirtaa vaativia korjauksia tai huoltoja.

- Pysäköi ruohonleikkuri tasaiselle alustalle. Varmista, että ohjauksen ohjausvivut ovat vapaa-asennossa, ja että leikkuupöydän PTO-kytkin on "OFF"-asennossa. Nosta leikkuupöytä, kierrä avain "OFF"-asentoon, poista avain kytkimestä ja poista akut akkulokeroista istuimen alta.
- Koulutetun huoltoasentajan on suoritettava kaikki huoltotoimenpiteet, jotka edellyttävät suojakansien poistamista.

- Käytä tikkuja tai vastaavaa välinettä ruohonleikkurin alta puhdistamiseen, ja varmista, ettei mikään ruumiinosa – etenkin kädet – ole ruohonleikkurin alla.
- Pidä kone puhtaana ja poista kaikki roskat ja leikkuujätteet.
- Pidä akkulokero, leikkuupöytä ja kuljettajan työpiste puhtaina kerääntyneistä roskista, ruohojätteestä ja muista roskista.
- Puhdista akkutila, käyttömoottoritila, leikkurin leikkuupöytä, istuin jne. kaikesta liasta ja roskista. Käytä puhdistamiseen vain paineilmaa. ÄLÄ käytä vettä, liuottimia, voimakkaita puhdistusaineita tai hankausaineita.
- Käytä aina asianmukaisia suojalaseja huoltaessasi akkuja tai hioessasi ruohonleikkurin teriä ja poistaessasi kerääntyneitä roskia. Älä koskaan tee mitään säätöjä tai korjauksia leikkurin käyttöjärjestelmään, leikkuupöytään tai mihinkään lisälaitteeseen, kun vetovoimajärjestelmä on käynnissä. Vain koulutettu huoltohenkilöstö saa suorittaa sähkövirtaa vaativia korjauksia tai huoltoja.
- Älä koskaan työskentele koneen tai lisälaitteen alla, ellei sitä ole tuettu turvallisesti alustapukeilla. Varmista, että kone on kiinnitetty, kun se nostetaan ja asetetaan alustapukeille.
- Alustapukit eivät saa päästää konetta liikkumaan, kun vetovoimajärjestelmä on käynnissä ja vetopyörät pyörivät. Käytä vain sertifioituja alustapukkeja. Käytä koneen liikkumisen estämiseen vain asianmukaisia alustapukkeja, joiden vähimmäispaino on 907,2 kg. Käytä vain pareittain. Noudata alustapukkien mukana toimitettuja ohjeita.
- Älä koske koneen kuumiin osiin.
- Pidä mutterit ja pultit tiukalla, erityisesti terän kiinnityspultit. Pidä laite hyvässä toimintakunnossa.
- Älä koskaan peukaloi turvalaitteita. Tarkista niiden oikea toiminta säännöllisesti.
- Käännä avain "OFF"-asentoon ennen poistokourun tukosten selvittämistä.
- Älä koskaan tyhjennä poistokourua koneen käydessä. Käännä avain "OFF" -asentoon ja varmista, että terät ovat pysähtyneet ennen puhdistamista. Tyhjennä tukkeutunut poistoalue tikulla. Älä koskaan käytä käsiä!
- Pysäytä laite ja anna terien pysähtyä ennen kuin poistat tukoksen kourusta. Ruohonkeräysjärjestelmän osat ovat alttiita kulumiselle, vaurioille ja heikkenemiselle, mikä voi paljastaa liikkuvat osat tai mahdollistaa esineiden sinkoutumisen. Tarkista osat usein ja vaihda ne valmistajan suosittelemiin osiin, mikäli tarpeen.
- Ole varovainen työskennellessäsi leikkuupöydän alla, sillä leikkurin terät ovat erittäin teräviä. Käytä käsineitä ja ole erityisen varovainen huoltaessasi teriä.
- Käytä vain alkuperäisiä Cramer ruohonleikkurin osia varmistaaksesi, että alkuperäiset standardit säilyvät voimassa.
- Poista aina akut, kun kuljetat laitetta. Poista laitteesta leikkuujätteet, lehdet, lika ja muut roskat.
- Tarkista jarrujen toiminta usein. Säädä ja huollata tarpeen mukaan.
- Säilytä kunnossa tai vaihda turvallisuus- ja ohjetarrat tarpeen mukaan.
- Huollata ajettava ruohonleikkuri asiantuntevalla korjaajalla, joka käyttää vain identtisiä varaosia. Näin varmistetaan, että ajettavan ruohonleikkurin turvallisuus säilyy.
- Lataa vain valmistajan määrittämällä laturilla. Laturi, joka sopii yhdentyyppiselle akulle voi aiheuttaa tulipalovaaran, jos sitä käytetään toisenlaisen akun kanssa.

8 KULJETTAMINEN JA SÄILYTYS

8.1 KULJETUS

▲ VAROITUS

Ole erityisen varovainen, kun lastaat konetta perävaunuun tai purat sitä perävaunusta. Paina alhaisen nopeuden käyttöpainiketta ja siirrä käyttövipuja varovasti tarpeen mukaan nopeuden säätämiseksi. Aja kone peruuttamalla, kun lastaat sen perävaunuun. Kun lastaat tai purat ruohonleikkurin, älä ylitä suurinta suositeltua ajokulmaa 15°. Näiden ohjeiden noudattamatta jättäminen voi johtaa hallinnan menetykseen ja kuolemaan, vakavaan henkilövahinkoon tai omaisuusvahinkoon.

▲ VAROITUS

Ole varovainen lastatessasi ruohonleikkuria perävaunuun tai purkaessasi sitä siitä. Varmista, että leikkuupöytä on nostettu korkeimpaan asentoon, jotta se ei jää kiinni luiskaan. Ruohonleikkurin pyörät voivat mennä sivuun luiskalta tai perävaunusta, jolloin ruohonleikkuri kääntyy tai kaatuu, mikä johtaa murskaantumisvaaraan, joka voi aiheuttaa kuoleman tai vakavan henkilövahingon.

1. Pysäköi ruohonleikkuri tasaiselle alustalle.

2. Nosta leikkuupöytä korkeimpaan asentoon.
3. Sijoita ja kiinnitä luiska perävaunuun valmistajan ohjeiden mukaisesti.

i HUOMAA

Suosittellemme käyttämään yhtä täysleveää lastausluiskaa, joka on vähintään 30 cm ruohonleikkuria leveämpi, jotta vältät ruohonleikkurin pyörien menemisen luiskan ulkopuolelle.

4. Peruuta ruohonleikkuri hitaasti luiskalle ja perävaunuun.
5. Laske leikkuupöytä kokonaan.
6. Aseta seisontajarru.
7. Sammuta ruohonleikkuri ja poista virta-avain.
8. Kiinnitä ruohonleikkuri tarvittaessa hihnoilla tai kaapeleilla estääksesi liikkumisen kuljetuksen aikana.

▲ VAROITUS

Välttääksesi vahingossa tapahtuvan käynnistyksen tai liikkumisen, joka voi johtaa vakaviin henkilövahinkoihin, poista virta-avain aina ja aseta seisontajarru päälle kuljettaessasi ruohonleikkuria.

8.2 PUHDISTAMINEN JA VARASTOINTI

8.2.1 KONEEN PUHDISTAMINEN

- Poista kaikki kertynyt ruoho ja lehdet moottorin kannelta tai sen ympäriltä (älä käytä korkeapainepesuria moottorin huuhteluun).
- Pyyhi ruohonleikkuri silloin tällöin puhtaaksi kuivalla liinalla.
- Jos ruohonleikkurin alapuolelle kertyy roskaa käytön aikana, sammuta moottori, kytke kone pois päältä ja raaputa se puhtaaksi sopivalla työkalulla.

8.2.2 RUOHONLEIKKURIN LEIKKUUPÖYDÄN PUHDISTAMINEN

Katso kuva 18

- Aseta seisontajarru seisonta-aukkoihin.
- Säädä ruohonleikkurin leikkuupöydän korkeus matalimpaan.
- Kiinnitä mukana toimitettu pesuliitännän pikaliitin puutarhaletkuun.
- Kiinnitä puutarhaletku pikaliittimellä ruohonleikkurin leikkuupöydän pesuliitännään. Pesuliitäntä on ruohonleikkurin leikkuupöydän vasemmalla puolella.
- Kytke vesi päälle.
- Vedä PTO-kytkintä käynnistääksesi ruohonleikkurin leikkuuterät ja säädä terän nopeus korkeimpaan.
- Huuhtelee vedellä leikkuupöydän alta noin minuutin ajan.
- Irrota ruohonleikkurin terät painamalla PTO kytkin alas.
- Sulje vesi ja poista puutarhaletku ja pikaliitin pesuliitännästä.
- Poista pikaliitin puutarhaletkusta ja säilytä myöhempää käyttöä varten.
- Sammuta ruohonleikkuri kokonaan.

8.2.3 KONEEN VARASTOINTI

Seuraavat vaiheet on suoritettava koneen valmistelemiseksi varastointia varten.

- Puhdista kone edellisessä osassa kuvatulla tavalla.
- Tarkista terä ja vaihda tai teroita se tarvittaessa (katso Huolto-osio).
- Älä säilytä konetta syövyttävien materiaalien, kuten lannoitteiden tai kivisuolan, vieressä.
- Pidä kone pois lasten ulottuvilta.
- Älä peitä konetta kiinteällä muovipeitolla. Muovipäälysteet vangitsevat kosteuden koneen ympärille, mikä aiheuttaa ruostetta ja korroosiota.
- Tarkista huolellisesti, onko koneessa kuluneita tai vaurioituneita osia, jotka on vaihdettava, ja tilaa ne jälleenmyyjältäsi.
- Ota yhteyttä huoltoliikkeeseen koneen voitelemiseksi perusteellisesti.
- Lataa akut täyteen ja huolla ne.

- Älä tyhjennä renkaita.
- Konetta tulee säilyttää hyvin ilmastoidussa, puhtaassa ja kuivassa paikassa, koska akkulatoria ei voi käyttää määrässä ympäristössä.
 - Pidä akut aina täyteen ladattuina. On erityisen tärkeää estää akun vaurioituminen, kun lämpötila on alle 0 ° C.
 - Kiinnitä laturisovitin latausliitäntään ja akkuun Sähköjärjestelmä-osion Lataussovitin-osan mukaisesti.
 - Liitä laturin pistoke pistorasiaan. Katso Sähköjärjestelmä-osion Akkulaturi-, Akun lataus- ja lataussuositukset -osioista lisätietoja laturin käytöstä ja akkujen lataamisesta.
 - Akut pitää ladata täyteen pian käytön jälkeen niiden käyttöiän maksimoimiseksi.

8.2.4 VALMISTELU VARASTOINNIN JÄLKEISEEN KÄYTTÖÖN

Seuraavat vaiheet on toteutettava ennen ruohonleikkurin käyttöä varastoinnin jälkeen:

- Lataa akut täyteen.
- Tarkista rengaspaineet ja täytä tarvittaessa.
- Aja ruohonleikkuria lyhyesti ja tarkista kaikki järjestelmät ja komponentit varmistaaksesi, että ne toimivat oikein.

9 VIANMÄÄRITYS

ONGELMA	MAHDOLLINEN SYY	RATKAISU
Ajoneuvo ei liiku.	Akkulokeroa ei ole asetettu akkuun tai ei Cramer määritettyä akkua.	Ajoneuvon normaalin toiminnan varmistamiseksi vähintään 1 Cramer määritetty akku on asetettava akkulokeroon.
	Akkua ei ole ladattu.	Tarkista akun virta.
	Ohjauksen ohjausvivut ovat seisontajarruasennossa.	Varmista, että vasen ja oikea ohjausvipu eivät ole seisontajarruasennossa.
	Kukaan ei istu istuimella tai käyttäjän läsnäolokytkintä ei ole suljettu.	Varmista, että ajaja istuu istuimessa.
	Vasen ja oikea seisontakytkin eivät ole alkuasennossa, kun virta on päällä.	Aseta ohjauksen ohjausvivut seisontajarruasentoon ja käynnistä kone uudelleen, jos se ei vielä kukaan käynnisty, ota yhteyttä asianomaiseen Cramer myyntihenkilöstöön.
	Paristolokero on lepotilassa.	Käännä avainkytkin OFF-vaihteeseen ja odota yli 5 sekuntia ennen koneen uudelleenkäynnistystä.
Äkillinen häiriö ajon aikana	Akkua ei ole ladattu.	Ajoneuvon normaalin toiminnan varmistamiseksi on tarpeen asettaa vähintään 1 Cramer määritetty akku akkulokeroon, ja varmistaa, että akussa on virtaa.
	Karkeat ja kuoppaiset tiet ovat irrotta neet käyttäjän läsnäolokytkimen.	Aseta ohjauksen ohjausvivut seisontajarruasentoon ja käynnistä kone uudelleen.
	Vasemmassa/oikeassa kiihdyttimesä on vika.	Ota yhteyttä Cramer myyntihenkilökuntaan.
	Käyttöohjaimen häiriö.	Ota yhteyttä Cramer myyntihenkilökuntaan.
Terä ei toimi PTO-kytkimen vetämisen jälkeen.	Akkulokeroon ei ole asetettu akkua, jonka on määrittänyt Cramer.	Ajoneuvon normaalin toiminnan varmistamiseksi on tarpeen asettaa vähintään 1 Cramer määritetty akku akkulokeroon, ja varmistaa, että akussa on virtaa.
	Akun teho on alle 5 %.	Tarkista akun varaus, jos akun varaus on alhainen, lataa akku.
	Käyttäjän läsnäolokytkintä ei ole suljettu.	Varmista, että kuljettaja istuu istuimella.
	Terän kytkin (PTO) ei ole alkuasennossa ennen virran kytkemistä.	Paina PTO-kytkin ja vedä se uudelleen ylös.
	Terän moottori estetty tai muu toiminnallinen suojaus.	Tarkista, että terän ja moottorin välisessä liitoksessa ei ole rikkaruohoja ja muita vieraita esineitä terän tasaisen pyörimisen varmistamiseksi. On suositeltavaa nostaa leikkuupöytä ylös ja käynnistää terä ennen leikkuupöydän säätämistä vaaditulle vaihteelle.
	Käyttöohjain ei toimi.	Tarkista virhekoodi, joka näkyy näytöllä.
Terä pysähtyy ruohoa leikattaessa.	Terän ohjaimessa on toimintahäiriö.	Tarkista virhekoodi, joka näkyy näytöllä.
	Terän moottorin ylikuormitus.	Puhdista leikkuupöydän sisäpuoli, varmista, että terän pyöriminen ei ole epänormaalia, paina PTO-kytkintä, käynnistä kone uudelleen ja vähennä terän kuormitusta joko nostamalla leikkuupöydän korkeutta tai vähentämällä ajonopeutta.
	Akun lämpötila on liian korkea.	Älä käytä sitä heti latauksen päätyttyä, muuten se voi laukaista akun lämpötilan suojausvirheen.
	Akun teho on alle 5 %.	Jos akun varaus on alhainen, lataa akku.

ONGELMA	MAHDOLLINEN SYY	RATKAISU
	Terään osuu vieras esine, mikä aiheuttaa äkillisen pysähdyksen.	Käännä virta-avain OFF-asentoon ja odota yli 5 sekuntia ennen koneen uudelleenkäynnistystä.
	Käyttöohjain ei toimi.	Tarkista virhekoodi, joka näkyy näytöllä.
Ruohonleikkuri leikkaa ruohoa epätasaisesti, korkeuserot ovat erittäin suuria.	Terä on tylppä.	Kiillota terä käyttöoppaan mukaan.
	Terä on taipunut.	Vaihda taipunut terä, vaihda terä ohjeiden mukaisesti ja käytä suojavarusteita.
	Leikkuupöytä ei ole vaakasuora.	Tasoi ta leikkuupöytä ohjeiden mukaan varmistaaksesi, että vasen ja oikea korkeus ovat yhtä suuret.
Varsinainen leikkuukorkeus ei vastaa valittua merkittyä leikkuukorkeutta.	Löysää leikkuupöydän kiinnityspultit.	Säädä leikkuupöydän kiinnityspultit varmistaaksesi, että pöytä on asennettu tukevasti. Huomaa: leikkuupöytä on asetettava uudelleen vaakasuoraan kiinnityspulttien säätämisen jälkeen.
	Leikkuupöytä on merkittävästi kulu- nut tai vaurioitunut.	Vaihda uusi leikkuupöytä.
Ajoneuvo silpuaa epänormaalisti	Nurmikko on liian märkä.	Tarkista ruohon kunto ennen leikkaamista. Jos ruoho on liian märkää, odota sen kuivumista tuules- sa tai auringonpaisteessa. Odota kasteen haihtumista nurmikolta ennen leikkaamista.
	Ruohonleikkuri on asetettu leikkaamaan liikaa ruohoa kerralla.	Jos ruoho on liian tiheää ja korkeaa, nosta leikkuupöytää ja välttä raskaan ruohon leikkaamista niin paljon kuin mahdollista.
Liiallinen koneen täriinä	Terät ovat löysät.	Kiillota terä käyttöohjeen menetelmän mukaisesti.
	Terät ovat taipuneet.	Vaihda taipunut terä, kiinnitä huomiota terän vaihtamiseen oikein ohjeiden mukaisesti ja käytä suojakäsineitä.
	Leikkuupöytä ei ole vaakasuorassa.	Tasoi ta leikkuupöytä ohjeiden mukaan varmistaaksesi, että vasen ja oikea korkeus ovat yhtä suuret.
	Leikkuupöytä on löysällä.	Lukitse leikkuupöydän kiinteät pultit.
	Ruohonleikkuri on asetettu leikkaamaan liikaa ruohoa kerralla.	Jos ruoho on liian tiheää ja korkeaa, nosta leikkuupöytää, yritä välttää raskaan ruohon leikkaamista.
Lehtiä tai roskaa jää maahan leikkaamisen jälkeen.	Ruohonleikkuri on asetettu leikkaamaan liikaa ruohoa kerralla.	Jos ruoho on liian tiheää ja korkeaa, nosta leikkuupöytää, jos ruoho on korkeampaa kuin 15 cm, leikkaa kaksi kertaa haluamasi leikkuuvaikutuksen saavuttamiseksi, yritä välttää raskaan ruohon leikkaamista.
	Ruoho on liian märkää.	Tarkista ruohon kunto ennen leikkaamista, jos ruoho on liian märkää, odota sen kuivumista tuules- sa tai auringonpaisteessa. Odota kasteen haihtumista nurmikolta ennen leikkaamista.
	Ajonopeus on liian nopea.	Laske ajonopeutta.
	Terän leikkausnopeus on liian hidasa.	Lisää terän nopeustasoa.
Lyhyt leikkauksen kesto	Raskaan ruohon leikkaaminen voi johtaa lyhyeen leikkauksen kesto- on.	Leikkuupöydän nostaminen tai terän nopeuden pienentäminen voi lisätä ruohonleikkurin käyttöaikaa yhdellä la- tauksella.
Ruohonleikkuri pois hallinnasta	Eriäinen rengaspaine	Tarkista ruohonleikkurin takarengaspaine säännöllisesti käyttöohjeen mukaisesti.

ONGELMA	MAHDOLLINEN SYY	RATKAISU
Ajoneuvo ei käynnisty pesun jälkeen.	Virheellinen puhdistus, kuten vettä on päässyt LED-näyttöön, akkulokeroon ja muihin elektronisiin komponentteihin.	<ol style="list-style-type: none"> Puhdista kone noudattamalla ohjeita. Jos ajoneuvo on vahingossa kastunut, laita ajoneuvo kuivaan paikkaan 12 tunnin ajaksi tai puhalla se kuivaksi ennen käyttöä. Ota yhteyttä Cramer myyntihenkilökuntaan.
Ruohonleikkuria on estetty.	Leikkuupöydälle on kasautunut rikkaruohoja ja roskia.	Puhdista kone aina koneen käytön jälkeen noudattamalla ohjeita.
Pysäköintitilassa kone liikuu nopeasti rinteessä ja luistaa.	Renkaat hyvin kuluneet.	Ota yhteyttä myyntihenkilökuntaan renkaiden vaihtamiseksi.
	Sähkömagneettinen jarru on vaurioitunut tai liian kulunut.	Ota yhteyttä myyntihenkilökuntaan sähkömagneettisen jarrun vaihtamiseksi.
	Sähkömagneettinen jarru vapauteen manuaalisesti.	Tarkista sähkömagneettinen jarru ja palauta se alkuperäiseen asentoon.

10 TEKNISET TIEDOT

Mallin nro	82ZT107
Jännite	82 V
Ajoneuvon kokonaispaino	106±3 kg
Pituus	170 cm
Korkeus	117 cm
Leveys (poiston kanssa)	135 cm
Leveys (ilman poistoa)	107 cm
Leikkuupöydän leveys	107 cm
Ajoneuvon eteenpäin	0-7.5 mph
Peruutusnopeus	0-3 mph
Leikkuukorkeusalue	3.81-11.4 cm
Leikkuukorkeuden säätäminen	7 kpl
Joutokäyntinopeus	2400/3000/3200 RPM
Latausaika	4 t (yhdellä 8 laturilla)
Moottorin teho	1.2 kW (terämoottori)
	1.2 (käyttömoottori)
Rinteen MAX-kaltevuus	15°
Terien lukumäärä (poisto/silppuri)	2 kpl
Mitattu äänenpainetaso	$L_{pA} = 85.63 \text{ dB (A)}$, $K_{pA} = 3 \text{ dB (A)}$
Mitattu äänitehotaso	$L_{wA} = 98.61 \text{ dB (A)}$
Taattu äänitehotaso	$L_{wA,d} = 100 \text{ dB (A)}$
Tärinä	Aseet: $\leq 2.5 \text{ m/s}^2$, $K = 1.5 \text{ m/s}^2$
	Runko: $\leq 2.5 \text{ m/s}^2$, $K = 1.5 \text{ m/s}^2$

11 RAJOITETTU TAKUU

11.1 MITÄ TÄMÄ TAKUU KATTAÄ

Cramer myöntää seuraavan takuun alkuperäiselle ostajalle ("Omistaja") – takuuta ei voi siirtää:

A. Kotitalouskäyttö: Cramer tuotteelle, jota käytetään tavallisessa kotikäytössä*, myönnetään viiden (5) vuoden tai 1 500 tunnin kokonaiskäyttötakuu (sen mukaan, kumpi tulee ensin) ostopäivästä alkaen. Takuu koskee kaikkia rungon, leikkuupöydän ja akkujen materiaaleja ja valmistusvikoja. Kuluvilla osilla, kuten renkailla ja terillä, on kolmenkymmenen (30) päivän takuu ostopäivästä lukien. Jos Omistaja havaitsee tämän takuuaajan sisällä materiaali- tai valmistusvian:

- Omistajan on ilmoitettava asiasta viipymättä Cramer tai valtuutetulle jälleenmyyjälle kirjallisesti, sähköpostitse, puhelimitse, sovelluksella tai henkilökohtaisesti. Tällaista ilmoitusta ei saa missään tapauksessa vastaanottaa Cramertai valtuutettu jälleenmyyjä yli viiden (5) vuoden kuluttua ostopäivästä.
- Kohtuullisen ajan kuluessa tällaisesta ilmoituksesta ja takuuvirheen todentamisesta; Cramer korjaa kaikki materiaali- tai valmistusvirheet Cramer tuotteesta korjaamalla tai korvaamalla osia valintansa mukaan joko uusilla tai käytetyillä varaosilla.
- Tällaisen korjauksen, mukaan lukien osat ja työvoima, maksaa Cramer koskee vain alkuperäistä Omistajaa.

B. Kaupallinen käyttö: Cramer tuotteelle, jota käytetään kaupallisessa ja laitospöytäkäytössä, myönnetään viiden (5) vuoden tai 1 500 tunnin kokonaiskäyttötakuu (sen mukaan, kumpi tulee ensin) ostopäivästä. Takuu koskee kaikkia rungon, leikkuupöydän ja akkujen materiaaleja ja valmistustyötä. Kuluvilla osilla (mukaan lukien mutta ei niihin rajoittuen renkaat ja terät) on kolmenkymmenen (30) päivän takuu ostopäivästä lukien. Jos Omistaja havaitsee tämän takuuaajan sisällä materiaali- tai valmistusvian:

- Omistajan on ilmoitettava asiasta viipymättä Cramer tai valtuutetulle jälleenmyyjälle kirjallisesti, sähköpostitse, puhelimitse, sovelluksella tai henkilökohtaisesti. Tällaista ilmoitusta ei saa missään tapauksessa vastaanottaa Cramertai valtuutettu jälleenmyyjä yli viiden (5) vuoden kuluttua ostopäivästä.
- Kohtuullisen ajan kuluessa tällaisesta ilmoituksesta ja takuuvirheen todentamisesta Cramer korjaa kaikki materiaali- tai valmistusvirheet Cramer tuotteesta korjaamalla tai korvaamalla osia valintansa mukaan joko uusilla tai käytetyillä varaosilla.
- Tällaisen korjauksen, mukaan lukien osat ja työvoima, maksaa Cramer koskee vain alkuperäistä Omistajaa (kaupallinen).

i HUOMAA

Jos akkuja ei ylläpidetä kunnolla ja pidetä täyteen ladattuina, akun käyttöikä lyhenee ja akun takuu mitätöityy. Tämän rajoitetun takuun määräykset eivät koske vikoja, jotka johtuvat seuraavista:

- Väärinkäyttö tai laiminlyönti, kuten: vesivahingot, löysät johdot tai ruostuneet tai syöpyneet laitteet.
- Asianmukaisen huollon puute: akun väärästä asennuksesta aiheutuneet vauriot; laiminlyönti, rikkoutuminen, altistuminen äärimmäisille lämpötiloille, mukaan lukien, mutta ei rajoittuen, jäätyislämpötilat, kuumat lämpötilat, lämmönlähteiden, kuten lämmittimien tai tulen, läheisyys, altistuminen vedelle tai muille aineille, hylkääminen, akun käyttö ylläladatussa tai lataamattomassa tilassa.
- Akku on ladattu muilla järjestelmillä kuin alkuperäisellä akkulaturilla.

Alaviite: *"Normaalilla kotikäytöllä" tarkoitetaan tässä Tuotteen käyttöä samalla tontilla, jolla käyttäjän koti sijaitsee. Käyttöä useammassa kuin yhdessä paikassa pidetään kaupallisena käyttönä, johon sovelletaan kaupallisen käytön takuuta.*

11.2 KENEN TULEE SUORITTAÄ TAKUUHUOLTO

Kaikki takuuhuollot suorittaa Cramer valtuutettu jälleenmyyjä tai Cramer valtuutettu huoltoteknikko. Huoltopuhelut ja/tai tuotteen kuljetuskulut valtuutetulta jälleenmyyjältä ja valtuutetulle jälleenmyyjälle ja takuutöiden kustannukset maksaa tuotteen omistaja. Ota yhteyttä valtuutettuun jälleenmyyjään takuuhuoltoa varten.

11.3 TAKUUN KATTAVUUS

Cramer takuu ei kata:

- Valtuuttamattomien henkilöiden tekemiä korjauksia.
- Vaurioita, jotka ovat aiheutuneet siitä, että Cramer tuotetta on käytetty muihin tarkoituksiin kuin niihin, joita varten se on suunniteltu.

- Katastrofien, kuten tulipalon, tulvien, tuulen ja salaman, aiheuttamia vahinkoja.
- Laiminlyönnistä, väärinkäytöstä, epänormaalista käytöstä, epäasianmukaisesta tai kohtuuttomasta käytöstä, onnettomuudesta, huolimattomuudesta tai väärinkäytöstä, kuten vesivahingoista, aiheutuneita vahinkoja.
- Korjauksia tai vaihtoja, jotka johtuvat luvattomien osien, lisävarusteiden tai lisälaitteiden käytöstä.
- Korjauksia tai vaihtoja, jotka johtuvat mahdollisista muutoksista tai muunteluista määräytyksiin Cramer, mitkä vaikuttavat haitallisesti laitteen toimintaan, suorituskykyyn tai kestävyyteen.
- Tuotteita, komponentteja tai osia, joiden valmistaja ei ole Cramer.
- Tuotteita, joiden tunnistetietoja on muutettu, mukaan lukien mutta ei rajoittuen, sarjanumerot poistettu ja/tai tehty lukukelvottomiksi.
- Arvon alentumista tai vaurioita, jotka johtuvat normaalista kulumisesta, kohtuullisen ja asianmukaisen huollon puutteesta, tuotteen omistajan käsikirjan käyttö-, huolto- ja säätöohjeiden tai muiden käyttöohjeiden noudattamatta jättämisestä, ohjeiden antaja Cramer.
- Normaaleja huolto-osia ja huoltoja, mukaan lukien, mutta ei rajoittuen, voiteluaineet, viritysosat, terät, terien teroitus, laakerit, jarrujen tai ohjauksen säädöt.
- Tuotteita, joiden ohjelmointia ei ole hyväksytty kyseiselle tuotteelle, mukaan lukien parametrien muutokset, jälkimarkkinoiden ohjelmointi tai säädöt tai mitkä tahansa hyväksymättömät muutokset komponentteihin, elektroniikkaan tai ohjelmistoon.

11.4 TAKUUN VASTUUVAPAUSLAUSEKE

Edellä mainitut takuut korvaavat kaikki muut nimenomaiset tai epäsuorat takuut, mukaan lukien, mutta ei näihin rajoittuen, oletetut takuut myyntikelpoisuudesta ja sopivuudesta tiettyyn tarkoitukseen. Kuitenkin, jos Cramer tuote ostetaan kuluttajatuotteena, mikä tahansa oletettu takuu myyntikelpoisuudesta tai sopivuudesta tiettyyn tarkoitukseen rajoittuu tämän rajoitetun takuun keston. Jotkin osavaltiot eivät salli rajoituksia oletetun takuun kestoajalle, joten yllä oleva rajoitus ei välttämättä koske sinua. Tämä takuu antaa sinulle tietyt lailliset oikeudet, mutta sinulla voi olla myös muita oikeuksia, jotka vaihtelevat osavaltioittain.

11.5 KORJAUSTOIMENPITEIDEN RAJOITUKSET

Missäään tapauksessa Cramer ei ole vastuussa mistään erityisistä, satunnaisista tai läillisisistä vahingoista, jotka perustuvat takuun rikkomiseen, sopimusrikkomukseen, huolimattomuuteen, ankaraan vahingonkorvausvastuuseen tai mihinkään muuhun oikeudelliseen teoriaan. Tällaisia vahinkoja ovat muun muassa:

- Voittojen menetys
- Säästöjen tai tulojen menetys
- Käytön menetys Cramer Tuote tai siihen liittyvät laitteet
- Pääomakustannukset
- Korvaavien laitteiden, tilojen, palvelujen tai seisokkien kustannukset
- Kolmansien osapuolten, mukaan lukien asiakkaiden, vaatimukset ja omaisuusvahingot

11.6 AIKARAJA

Jollei valtion lainsäädännössä toisin säädetä:

Kaikki takuuvaatimuksia koskevat toimet on aloitettava viiden (5) vuoden tai kuudenkymmenen (60) kuukauden kuluessa ostopäivästä kotitalouskäytössä ja/tai kaupallisessa käytössä.

Jos valmistuspäivä ylittää asiakkaan ensimmäistä ostoa edeltävän kohtuullisen ajan, Cramer takuuseen voi liittyä lisärajoituksia.

11.7 EI MUITA TAKUITA

Tämä sopimus ymmärretään osapuolten väliseksi täydelliseksi ja yksinomaiseksi sopimukseksi, joka korvaa kaikki aiemmat suulliset tai kirjalliset sopimukset ja kaiken muun tähän sopimuksen liittyvän osapuolten välisen viestinnän.

11.8 KÄYTTÄJÄN VASTUUT

Huolla tätä Cramer tuotetta omistajan käsikirjassa kuvattujen huoltotoimenpiteiden mukaisesti. Tällainen määräaikaishuolto tapahtuu omalla kustannuksellasi jälleenmyyjän toimesta tai omasta toimestasi.

Tämä kone, kuten kaikki muutkin sähkökäyttöiset laitteet, voivat olla vaarallisia, jos niitä ei käytetä oikein. Jokaisen käyttäjän on oltava varovainen ja pidettävä turvallisuus mielessä aina. Jokaisen käyttäjän tulee ennen Cramer

tuotteen käyttöä lukea omistajan käsikirja ja perehtyä koneen käyttöön ja turvallisuuteen sekä kaikkiin itse koneeseen kiinnitettyihin turvallisuusvaroituksiin.

11.9 RISKIEN JAKAMINEN

Tämä sopimus jakaa tuotteen rikkoutumisriskin Cramer ja omistajan välille. Molemmat osapuolet tunnustavat tämän jaon, ja se näkyy tuotteiden hinnassa.

11.10 TAKUUN REKISTERÖIMINEN

Jollei valtion lainsäädännössä toisin säädetä:

1. Omistajien on rekisteröitävä laite Cramer kymmenen (10) päivän kuluessa ostopäivästä.
2. Rekisteröinti voidaan suorittaa täyttämällä takuun rekisteröintilomake, joka sisältyy käyttöoppaaseen.
3. Rekisteröinti voidaan suorittaa myös käyttämällä lomakkeita, jotka ovat verkossa osoitteessa cramertools.com tai käyttämällä sovellusta ja toimittamalla ostosisitteen (kuitti ja ostopäivä).

12 EU-VAATIMUSTENMUKAISUUSVAKUUTUS

Valmistajan nimi ja osoite:

Nimi: Greenworks Tools Europe GmbH
Osoite: Brunnenweg 17, 64331 Weiterstadt, Saksa

Sen henkilön nimi ja osoite, joka on valtuutettu kokoamaan teknisen tiedoston:

Nimi: Ralf Pankalla
Osoite: Brunnenweg 17, 64331 Weiterstadt, Saksa

Täten vakuutamme, että tuote

Luokka: Paikallaan kääntyvä ruohonleikkuri
Malli: 82ZT107
Sarjanumero: Katso tuotteen tyyppikilpi
Valmistusvuosi: Katso tuotteen tyyppikilpi

- täyttää konedirektiivin 2006/42/EY olennaiset vaatimukset.
- täyttää seuraavien muiden EU-direktiivien vaatimukset:
 - 2014/30/EU
 - 2011/65/EU ja (EU) 2015/863

Lisäksi vakuutamme, että seuraavia yhdenmukaistettuja eurooppalaisia standardeja (osia/artikloja) on käytetty:

- EN 62841-1, EN ISO 5395-1, EN ISO 5395-3, EN ISO 14982, IEC 62321-3-1, IEC 62321-4, IEC 62321-5, IEC 62321-6, IEC 62321-7-1, IEC 62321-7-2, IEC 62321-8

Paikka, päiväys: 11.11.2022

Allekirjoitus: Ted Qu, laatujohtaja

Ted Qu

1	Beskrivning.....	249	7.4	Vridmomentsvärden.....	265
1.1	Översikt.....	249	7.5	Underhåll av batteripaket.....	266
1.2	Manöverpanel.....	249	7.6	Underhåll av batterifackfilter	266
2	Packa upp maskinen.....	249	7.7	Service.....	266
3	Installation.....	250	8	Transport och förvaring.....	267
3.1	Montera sätet.....	250	8.1	Frakt.....	267
3.2	Installera marktäckningsskyddet.....	250	8.2	Rengöring och förvaring.....	268
3.3	Installera styrspaken.....	250	9	Felsökning.....	270
3.4	Vred för förbikoppling av friläge.....	251	10	Tekniska data.....	272
3.5	Antiskalperingshjul.....	251	11	Begränsad garanti.....	272
4	Bruksanvisningar.....	251	11.1	Vad den här garantin täcker.....	272
4.1	Före drift.....	251	11.2	Vem får utföra garantiservice.....	273
4.2	Manövrera maskinen.....	253	11.3	Vad den här garantin inte täcker.....	273
5	Elektriskt system.....	257	11.4	Ansvarsfriskrivning.....	274
5.1	Elsystemsäkerhet.....	257	11.5	Begränsning av påföljder.....	274
5.2	Information om det elektriska systemet..	258	11.6	Varaktighet.....	274
5.3	Digital display.....	258	11.7	Inga andra garantier.....	274
6	Fel.....	258	11.8	Ägaransvar.....	274
6.1	Felkod.....	259	11.9	Tilldelning av risk.....	274
7	Underhåll.....	264	11.10	Garantiregistrering.....	274
7.1	Underhåll av klippblad.....	264	12	EG-försäkrans om	
7.2	Däck.....	265		överensstämmelse.....	275
7.3	Smörjning.....	265			

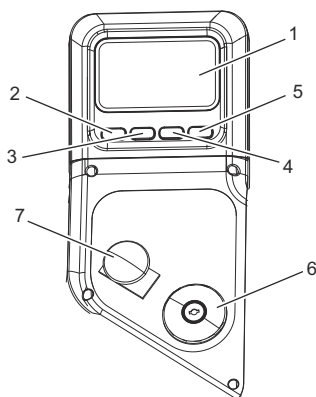
1 BESKRIVNING

1.1 ÖVERSIKT

Se separat figurblad 1-19

- | | | | |
|----|-----------------------------|----|-----------------------------------|
| 1 | Styrspakar | 19 | Vred för förbikoppling av friläge |
| 2 | Justeringsspak till säte | 20 | Serienummer |
| 3 | Strålkastare | 21 | Parkopplingskod |
| 4 | Framhjul | 22 | QR-kod |
| 5 | Sidoutmatning | 23 | Batterifack |
| 6 | Drivhjul | 24 | Batteri |
| 7 | Manöverpanel | 25 | Batterispår |
| 8 | USB-port | 26 | Effekt: AV |
| 9 | Mugghållare | 27 | Effekt: PÅ |
| 10 | Däck | 28 | Start Nyckelhål |
| 11 | Antiskalperingshjul | 29 | Bult |
| 12 | Höjjusteringsspak till däck | 30 | Bricka |
| 13 | Sätspanel | 31 | Kniv |
| 14 | Säteskontakt | 32 | Trädgårdsslang |
| 15 | Marktäckningsskydd | 33 | Snabbkopplare |
| 16 | Lagerring | 34 | Rengöringsport |
| 17 | Fixeringsklämmor | 35 | Oljeutlopp |
| 18 | Monteringsstång | 36 | Oljesticka |

1.2 MANÖVERPANEL



2 PACKA UPP MASKINEN

#	Namn	Funktion
1	Digital display	Displayen visar viktig information om elsystemet. Se avsnittet Elektricitet för mer information.
2	Knivmotor hastighetsreglage/Återställ	Justera bladets hastighet (cykliskt) när den finns på hemsidan. Tryck på knappen för att återgå till föregående sida.
3	Menynavigering/Sida upp	Gå till sista sidan på den digitala displayen. Gå tillbaka till startsidan.
4	Lampbrytare/Sida ned	Slå på/stänga av lamporna när den är på hemsidan. Gå till nästa sida på den digitala displayen.
5	Hastighetsreglage/Bekräfta	Justera bladets hastighet (cykliskt) när den finns på hemsidan. Tryck på knappen för att bekräfta.
6	Strömbrytare	Använd strömbrytaren för att slå på och av gräsklipparen.
7	Däckbladens PÅ/AV-brytare (PTO)	Brytaren kopplar in bladmotorerna. Dra upp brytaren för att koppla in motorerna och tryck ned den för att koppla ur motorerna.

i VIKTIGT

Koppla aldrig in knivmotorerna när däckets är belastat. Det kan skada motorerna eller däckets.

SV

▲ VARNING

Kontrollera att maskinen är rätt monterad före användning.

▲ VARNING

- Om delar av maskinen är skadade, använd inte maskinen.
- Använd inte maskinen om det saknas delar.
- Om delar är skadade eller saknas, kontakta servicecenter.

1. Öppna förpackningen.
2. Läs igenom dokumentationen som medföljer i förpackningen.
3. Ta ut alla omonterade delar från förpackningen.
4. Ta ut maskinen från förpackningen.
5. Avfallshantera lådan och förpackningsmaterialet enligt lokala regler.

▲ VARNING

För din personliga säkerhet, sätt inte i batteriet innan verktyget är helt monterat.

3 INSTALLATION

3.1 MONTERA SÄTET

Se figur 3

1. Placera sätesanordningen över sätespanelen och rikta in hålen enligt illustrationen.
2. Montera bultarna, brickorna och muttrarna och dra åt ordentligt.
3. Fäst hylsan på muttrarna.
4. Se till att anordningen är ordentligt monterad.
5. Anslut säteskontakten till maskinen.

3.2 INSTALLERA MARKTÄCKNINGSSKYDDET

Se figur 4

Gräsklipparen är konfigurerad för sidoutmatning under transport. Om marktäckning önskas:

1. Sätt marktäckningsskyddet över fliken på gräsklipparhöljet.
2. Rikta in hålen i marktäckningsskyddet med hålen i gräsklipparhöljet.
3. Montera och dra åt bultarna, skruvarna, fixeringsklämmorna och lagerringen enligt bilden.

3.3 INSTALLERA STYRSPAKEN

Se figur 5-6

▲ VARNING

Justera vänster och höger styrspakarna så att de är i linje med varandra i friläget. Installera ALDRIG styrspakarna i en asymmetrisk arbetshöjd.

1. Lyft en styrspak för att rikta in hålen i spaken med hålen i motsvarande monteringsstång.
2. Välj önskad arbetshöjd för styrspaken. För in skruven och brickan i hålet.
3. Använd skiftnyckeln (13*16 mm) för att spänna fast styrspaken.
4. Montera den andra styrspaken på samma sätt.

▲ OBSERVERA

Montera inte styrspaken omvänt.

3.3.1 STYRSPAKAR

De två spakarna styr hastigheten, riktningen, stopp, neutrallås och parkeringsbromsen. Använd spakarna för att styra, öka farten, sänka farten, stoppa maskinen och byta riktning. Det går inte att förflytta maskinen när styrspakarna är i parkeringsbromsläget.

i NOTERA

Använd alltid båda händerna när du kör. Kör aldrig med bara enhandsfattning.

3.3.2 ANVÄND APPEN

Se figur 9-10

1. Besök Fleet Managements webbplats: fleet.cramertools.com
2. Skapa ett konto och logga sedan in.
3. Bjud in andra användare i din organisation.
4. Skanna QR-koden, ladda ner appen och logga in.
5. Lägg till en enhet. Hitta serienumret, parkopplingskoden och QR-koden på fordonets matchande etikett i denna bruksanvisning. Skanna QR-koden eller fyll i manuellt.

3.4 VRED FÖR FÖRBIKOPPLING AV FRILÄGE

Se figur 7-8

1. Dra de neutrala bypass-rattarna utåt och nedåt för att låsa upp hjulet.
2. Flytta tillbaka de neutrala bypass-rattarna till utgångsläge för att låsa hjulen.

▲ VARNING

Kör aldrig gräsklipparen när vredet för förbikoppling av friläge är aktiverat. För alltid tillbaka vredet för förbikoppling av friläge till ursprungsläget innan du använder maskinen! Underlåtenhet att återinstallera vredet kan skada gräsklipparen och häver garantin!

SV

▲ VARNING

Dra aldrig spaken för förbikoppling av friläge utåt när du kör i en sluttning!

3.5 ANTISKALPERINGSHJUL

Se figur 2

Antiskalperingshjul är standard på Cramer-enheter. Antiskalperingshjulen är utformade för att minimera skalpering på tuff, ojämn terräng. Ställ in klipphöjden och justera antiskalperingshjulen så att de sträcker sig under däckets utan att komma i kontakt med marken. De bör alltid vara minst 0,6–1,9 cm under däckets. Det går att justera hjulen uppåt eller nedåt från 1,9–4,4 cm under bladytan medan enheten står på ett jämnt och plant underlag. Flytta hjulen upp eller ned – använd de olika monteringshålarna på axeln i hjulfästet (beroende på modell).

4 BRUKSANVISNINGAR

4.1 FÖRE DRIFT

4.1.1 JUSTERA SÄTET

Se figur 11

▲ VARNING

Kontrollera att sätet är ordentligt monterat före varje användningstillfälle, för att förhindra förskjutning/lutning vid övervullning eller liknande rörelser.

1. Tryck styrspakarna utåt till PARKERINGSBROMS-läget innan du justerar sätet.
2. Sätt dig på sätet och dra upp sätjusteringsspaken.

3. Skjut sätet till önskat läge medan du håller i spaken.
4. Släpp spaken och se till att sätet är låst i läge innan du använder gräsklipparen.

▲ VARNING

Se till att sätet är låst på plats innan du använder gräsklipparen. Om sätet inte är säkrat kan föraren förflyttas och tappa kontrollen över gräsklipparen vilket kan leda till dödsfall eller allvarliga personskador.

4.1.2 JUSTERA KLIPPHÖJDEN

Se figur 12

Innan du använder gräsklipparen ska du höja däckhöjden till klippläget som är bäst lämpat för din gräsmatta.

Däckhöjden är justerbar från 3.81-11.4 cm. Däcket ska vara upphöjt under användning för att undvika stubbar, stenar och andra hinder som kan skada däcket.

▲ OBSERVERA

Håll stadigt i spaken för justering av däckhöjden och släpp endast när den sitter fast i önskat spår. Om du släpper spaken för snabbt kan det riskera att förarens hand hamnar i kläm.

1. Stoppa gräsklipparen och koppla ur bladen.
2. Vrid nyckeln till AV-läge och dra åt parkeringsbromsen.
3. Hög skärdäcket genom att ta tag i däckets höjjusteringsspak, tryck åt vänster för att lossa från skåran, flytta mot baksidan av gräsklipparen och tryck sedan åt höger i skåran för att säkra.
4. Hög skärdäcket genom att ta tag i däckets höjjusteringsspak, tryck åt vänster för att lossa från skåran, flytta mot framsidan av gräsklipparen och tryck sedan åt höger i skåran för att säkra.

4.1.3 JUSTERA STYRSPAKEN

Du kan justera styrspakarna efter önskemål. Du kan justera den övre styrspaken genom att lossa huvudskruvorna som håller ihop den övre styrspaken och den nedre styrspaken. Justera styrspakarna så att de är i linje med varandra i friläget.

4.1.4 MONTERA BATTERIPAKETET

Se figur 13

Kontrollera att klipparens batterier är fulladdade via batterinivåindikatorn. Se batterimanualen för mer information.

1. Lyft sätespanelen.
2. Lyft upp batterifackets lock.
3. Montera batteripaketet i batterifacket.

▲ VARNING

Rikta in batteriets ribbor med batteriporten. Se till att batterispärren klickar fast i batterifacket.

4.1.5 INNAN DU ANVÄNDER MASKINEN

- Se till att arbetsområdet är fritt från barn, förbipasserande och husdjur.
- Rensa arbetsområdet från föremål som kan slungas ut från gräsklipparknivarna.
- Kontrollera bromsfunktionen.
- Kontrollera däcktrycket.
- Kontrollera om det finns lösa fästen.
- Kontrollera att alla skydd är på plats och fungerar korrekt.
- Ta bort skräp från gräsklipparen.
- Testa säkerhetsspärrsystemet.
- Justera sätet till önskat läge.
- Kontrollera batteriladdningsnivån.

4.1.6 FÖRREGLINGSSYSTEM FÖR OAVSIKTLIG START

Maskinen är utrustad med ett förreglingssystem som hindrar oavsiktlig start. Det består av parkeringsbromsbrytare, sätesbrytare och PÅ/AV-brytare för däckblad.

Förreglingssystemet för oavsiktlig start är utformat för att skydda operatören och andra från skada på grund av oavsiktlig start av drivsystemet.

Kontrollera förreglingssystemet för oavsiktlig start varje dag före drift. Systemet är en viktig säkerhetsfunktion i gräsklipparen. Låt reparera det omedelbart om det inte fungerar korrekt. Maskinen har en separat sätesbrytare som stoppar drivsystemet och däckmotorerna när operatören av någon anledning inte sitter ned medan gräsklipparen är i drift. Säkerhetsfunktionen är avsedd att förhindra okontrollerad förflyttning och oavsiktlig intrassling.

▲ VARNING

Koppla aldrig ur eller förbi förreglingssystemet. Om du gör det kan maskinen börja köra okontrollerat, vilket kan leda till personskador.

Inspektera systemet:

1. Du som operatör måste sitta ned när du testar sätesbrytaren.
2. Vrid nyckeln för att starta maskinen.
3. Dra styrspakarna till parkeringsläget.
4. Dra PTO-brytaren uppåt för att koppla in motorn.
5. Ställ dig långsamt upp. Däckbladssystemet bör stanna.
6. Kontakta din Cramer-återförsäljare omedelbart om däckbladssystemet av någon okänd anledning inte stannar när du ställer dig upp.

4.2 MANÖVRERA MASKINEN

4.2.1 STARTA MASKINEN

Se figur 14

i NOTERA

Se till att det inte finns förbipasserande innan du använder gräsklipparen. Om någon börjar gå på klippområdet, stanna omedelbart och börja inte klippa igen förrän personen lämnat området.

1. Hög däcket till dess högsta läge.
2. Sätt i startnyckeln och vrid till PÅ-läge.
3. Dra höger och vänster styrspakar inåt.
4. Dra upp PTO-brytaren för att börja klippa.

i NOTERA

Koppla bara in bladen när styrspakarna är i FRILÄGE! Koppla ALDRIG in bladen när gräsklipparen är i rörelse!

5. Placera styrspakarna i framåtläge (D) och kör till önskad klippplats.

i NOTERA

Var försiktig när du kör över grusvägar eller uppfarter. Innan du korsar sådana vägar, koppla ur knivarna och höj däcket till högsta läge för att minimera risken för rikoschetter. Kör långsamt för att inte tappa grepp och kontroll.

i NOTERA

Försök inte ändra körriktning medan gräsklipparen är i rörelse. Stanna alltid helt innan du ändrar klipparens riktning.

i NOTERA

Styrspakar fjädrar tillbaka mot neutralläge om du släpper dem, men du måste fortfarande styra dem manuellt för att komma till neutralläge.

4.2.2 KÖR MASKINEN

Aktivera styrspakarna och styr enligt följande efter att du har startat drivsystemet:

▲ VARNING

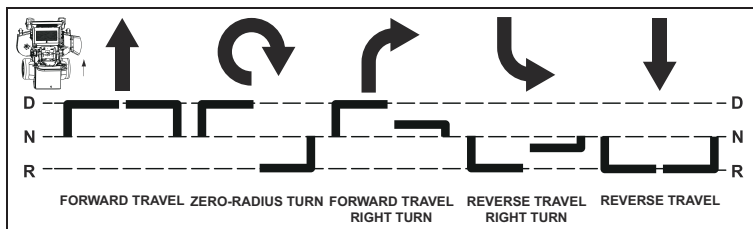
Var alltid medveten om din omgivning innan du backar maskinen. Kör inte i backväxel om det inte är absolut nödvändigt. Kolla alltid på marken och bakom dig innan och medan du backar.

▲ VARNING

Komponenterna i elsystemet kan ta skada om du manövrerar styrspakarna för snabbt.

- Dra båda styrspakarna lika långt framåt **för att köra framåt**.
- Dra båda styrspakarna lika långt bakåt **för att backa**.
- Flytta den högra styrspaken längre framåt än den vänstra styrspaken förbi friläget **för att svänga vänster**.
- Flytta den vänstra styrspaken längre framåt än den högra styrspaken förbi friläget **för att svänga höger**.
- Flytta den ena styrspaken framåt och den andra styrspaken bakåt **för att göra en nollradiesväng**. Då motroterar drivhjulen.
- Flytta styrspakarna till friläget **för att stoppa maskinen eller sänka hastigheten**. Dra försiktigt bak styrspakarna när du kör framåt. Tryck försiktigt fram styrspakarna när du backar.
- Det går att **stoppa maskinen i nödfall** på två sätt:
 - Sätt styrspakarna i parkeringsbromsläget omedelbart när du kör framåt eller backar. Tryck försiktigt fram styrspakarna och undvik plötsliga rörelser när du backar. Plötsliga rörelser kan få framredet att lyfta från marken, vilket kan leda till förlorad kontroll och följaktligen allvarlig skada eller dödsfall.
 - Vrid startnyckeln till AV-läge. Detta stänger ned dragdrivsystemet och däckdrivsystemet.
- **För att göra en trepunktssväng till höger** ska du trycka den vänstra styrspaken längre framåt än den högra styrspaken förbi friläget och påbörja svängen. Dra sedan styrspakarna bakåt, förbi friläget, till dess att maskinen börjar backa. Dra den högra styrspaken längre än den vänstra styrspaken förbi friläget till dess att den bakre delen av maskinen har svängt runt. Tryck sedan båda styrspakarna framåt, förbi friläget, till dess att maskinen börjar köra framåt. Tryck den vänstra styrspaken längre framåt än den högra styrspaken förbi friläget och fullfölj svängen.
- **Öka hastigheten** genom att föra styrspaken längre bort från friläget. Ju längre bort (framför) styrspakarna är från friläget, desto snabbare kör maskinen framåt. Ju längre bort (bakom) styrspakarna är från friläget, desto snabbare kör maskinen bakåt.

GRÄSKLIPPARENS FRAMSIDA VETTER I DENNA RIKTNING



N= NEUTRAL LÄGE

D= KÖRLÄGE

R= BACKLÄGE

Pilarnas riktning indikerar gräsklipparens rörelseriktning



Vänster styrspak

Höger styrspak

4.2.3 STÄNGA AV MASKINEN

▲ VARNING - LIVSFARA

Stanna eller backa aldrig maskinen plötsligt, särskilt inte i en lutning. Styrsystemet är mycket responsivt. Snabb förflyttning av styrspekarna i någon riktning kan resultera i att maskinen reagerar okontrollerat och orsakar allvarlig skada.

1. För tillbaka styrspekarna till friläget. Tryck styrspekarna utåt mot parkeringsbromsläget.
2. Tryck ned däckbladsbrytaren (PÅ/AV) för att stänga av bladen.
3. Vrid nyckeln i strömbrytaren till läge "AV" (OFF).

▲ OBSERVERA

Vi rekommenderar att du tar bort startnyckeln från maskinen för att förhindra oavsiktlig start.

4.2.4 ANVÄND USB-PORTEN

Se figur 15

USB-laddningsporten ger din mobiltelefon, MP3-spelare eller andra USB-enheter en laddningseffekt på 5 volt DC vid upp till 2,1 ampere. Se bruksanvisningen för din enhet för specifika laddningskrav.

Anslut ena änden av en USB-kabel (medföljer ej) till din enhet och den andra änden till USB-laddningsporten på gräsklipparen för att börja ladda enheten.

i NOTERA

Försök att ladda enheter på mer än 2,1 ampere kan skada USB-laddningsporten och/eller gräsklipparen.

i NOTERA

USB-porten får endast ström när maskinen startar.

▲ VARNING

Använd aldrig hörlurar eller någon annan elektronisk enhet, t ex en smart telefon eller surfplatta, när du använder gräsklipparen. Om operatören blir distraherad kan det orsaka dödsfall eller allvarliga personskador på operatören eller förbipasserande.

4.2.5 REKOMMENDATIONER FÖR DRIFT

▲ VARNING - LIVSFARA

Operatören bör före drift göra sig införstådd i lämplig användning och drift av utrustningen, läsa igenom hela handboken ordentligt, och försöka genomföra långsamma manövrer för att lära känna maskinen. En oerfaren operatör bör inte manövrera maskinen i sluttningar eller på ojämn terräng.

▲ VARNING

Om du tappar kontrollen under drift ska du ställa styrspekarna i parkeringsbromsläget omedelbart och vrid nyckeln till AV-läge. Inspektera maskinen och rådgör med din Cramer-återförsäljare för att åtgärda problemet innan du använder den igen.

▲ VARNING

Styrspekarna är mycket responsiva. Flytta styrspekarna långsamt och undvik att göra plötsliga rörelser, för en smidigare drift. Övning ger färdighet. Maskinen kan svänga väldigt snabbt. Var försiktig när du svänger, och sänk hastigheten innan du svänger skarpt.

Oerfarna operatörer kan tendera att överstyra och tappa kontrollen. Vi rekommenderar långsamma manövrer i början, och normal körhastighet först när operatören har lärt känna sin maskin.

▲ VARNING

Närma dig aldrig skarpa lutningar eller upphöjda hinder (till exempel rännor eller trottoarer) direkt i hög hastighet i ett försök att "hoppa över" dem, eftersom du kan ramlas av utrustningen. Närma dig dem i låg hastighet och vinkla ett drivhjul mot hindret. Fortsätt i en vinkel tills hjulen är fria och rotera sedan det motsatta hjulet.

När du svänger på mjukt eller vått gräs ska du hålla båda hjulen rullande antingen framåt eller bakåt. Om du roterar på ett stoppat hjul kan det skada gräsmattan. Håll bladen vassa. Många problem med klippmönster beror på trubbiga eller felaktigt slipade blad. Kontrollera bladslipningen dagligen.

▲ VARNING - LIVSFARA

Arbeta aldrig med bladen när nyckeln sitter i tändningslåset. Sätt alltid däckbladens PÅ/AV-brytare (PTO) i det urkopplade läget, styrspakarna i parkeringsbromsläget, vrid nyckeln till Av-läge och ta bort brytaren. Använd hjulblock när du arbetar under gräsklipparen. Bär handskar när du hanterar bladen. Kontrollera alltid bladet avseende skada om maskinen slår i en sten, gren eller andra föremål under användning.

- **Rikta utmatningsöppningen till höger**, bort från orörda ytor. Välj ett klippmönster där gräsutmatningen sker utanför klippområdet. Det innebär normalt ett mönster som gör vänstersvängar, eftersom utmatningssidan är till höger. Undvik i alla fall att mata ut klippt gräs över orörda ytor, eftersom maskinen då "klipper gräset två gånger". Om du klipper samma yta två gånger medför det onödigt belastning på utrustningen och minskar effektiviteten.
- **När du klipper en gräsmatta för första gången** ska du inte klippa det så kort, för att undvika att skalpera ojämn terräng. När det är möjligt är det bäst att använda samma klipphöjd som tidigare. När du klipper gräs som är högre än 15,2 cm (6") kan du klippa gräsmattan två gånger för att få ett bättre resultat.
- Klipp bara cirka 38 mm (1,5) av grässtrået **under normal drift**. Det är inte rekommenderat att klippa mer än så om inte gräset är glest eller om det inte är i slutet av säsongen.
- **Alternera klippmönstret mellan användningstillfällena** för att gräset ska växa ut rakt igen och för en jämnare spridning.
- **Kom ihåg att gräs växer snabbare eller långsammare** beroende på årstiden. Klipp oftare under tidig vår för att upprätthålla samma klipphöjd. Klipp mindre ofta när gräset inte växer lika fort från och med mitten av sommaren. Om du inte kan klippa gräset regelbundet ska du börja med att klippa med en hög klipphöjd, och sedan klippa det igen med en lägre klipphöjd två dagar senare.
- **Öka klipphöjden** om klippbredden är bredare än vad den var i din förra gräsklippare. Detta säkerställer att du inte klipper ojämn grässtrån för korta.
- **Öka klipphöjden** om gräset är lite högre än normalt eller om det är mycket vått. Klipp sedan gräset igen med en lägre inställd klipphöjd.
- **Om du måste stanna maskinen medan du kör den framåt**, kan maskinen tappa gräsklumpar på gräsmattan. Undvik detta genom att flytta till ett redan bearbetat område med bladen igång.
- **Ladda batteriet omedelbart** om maskinens batterieffekt är lägre än 5 %.

Modellnr.	Batterikapacitet	Åtgärd	Batterikapacitet	Åtgärd
82ZT107	≤5%	Den maximala körhastigheten blir 6.4 km/h.	≤5%	Det aktiverade stannar automatiskt. För omedelbart tillbaka utrustningen till batteriladdningsområdet och anslut den till batteriladdaren.

- **Låt motorn svalna i 30 minuter.** Motorhastigheten sjunker om drivmotortemperaturen stiger till över den programmerade temperaturen. Drivanordningen stängs ned om temperaturen fortsätter att stiga till över den programmerade temperaturen.

4.2.6 ANVÄNDNING I LUTNING

Se figur 16

Lutningar är en bidragande faktor till förörodad kontroll över maskinen och vältolyckor, som kan leda till allvariga skador eller dödsfall. Var särskilt uppmärksam vid användning i lutningar. Kör inte maskinen i en lutning om du inte kan backa upp för lutningen eller om det inte känns bra.

- Kör enligt tillverkarens rekommenderade riktning i sluttningar. Var försiktig när du kör nära avsläpp.
- Under inga förhållanden får maskinen användas där dragkraft, styrning eller stabilitet inte kan garanteras. Däcken kan glida även om hjulen står stilla.
- Se till att alltid ha växeln i när du kör nedför sluttningar. Rulla inte nedför sluttningar.
- Var mycket försiktig när du kör i en sluttning.
- Ta inte bort och modifiera inga hjul.
- Se upp för hål, hjulspår, gupp, stenar eller andra dolda föremål. Ojämn terräng kan välta maskinen. Långt gräs kan dölja hinder.
- Avlägsna alla hinder såsom stenar, grenar, skräp och liknande.
- Förflytta dig långsamt och gradvis. Ändra inte hastighet eller riktning plötsligt.
- Undvik att starta och stoppa i en backe. Om däcken förlorar friktion ska du koppla bort bladen och fortsätta långsamt rakt nedför lutningen.
- Manövrera maskinen på ett säkert avstånd (min. 3 m (10 fot)) från diken, murar, rännor, jordvallar, vatten och andra faror, för att undvika kontakt mellan hjulen och det instabila underlaget. Det minskar risken för att maskinen välter, vilket kan leda till allvarlig skada eller dödsfall.
- Använd en handgräsklippare eller en trimmer i sluttningar och nära stup, stödmurar, diken, jordvallar och vattenkällor.
- Kör inte på vått gräs. Minskad dragkraft kan resultera i glidning och okontrollerad styrning.
- Bogsera inte i lutningar. Vikten på den bogserade utrustningen kan orsaka förlust av dragkraft och kontroll.
- Om däcken tappar dragkraft i sluttningar ska du koppla ur däckdrevet, ställa styrspakarna i parkeringsbromsläget, vrid nyckeln till Av-läge, ta bort nyckeln och hämta hjälp.
- Starta, stoppa, vänd eller backa aldrig maskinen plötsligt, särskilt inte i en lutning. Styrsystemet är mycket responsivt. Snabb förflyttning av styrspakarna i någon riktning kan resultera i att maskinen reagerar okontrollerat och orsakar allvarlig skada.
- Stanna aldrig plötsligt när du backar nedför en sluttning. Det kan få maskinen att reagera på ett sätt som leder till allvarliga personskador.
- Det går att köra Cramer-gräsklipparen horisontellt (i sidled) i sluttningar som inte är för branta. När du kör i sluttningar upp till 15 grader ska du vara medveten om sådant som skulle kunna få gräsklipparen att förlora dragkraft, vilket kan leda till okontrollerad maskindrift. Använd inte utrustningen i en sluttning förrän du har lärt dig att hantera den.

Använd inte i sluttningar som är brantare än 15 grader.

Se sluttningssguiden för att avgöra vinkeln för en sluttning. Vi rekommenderar starkt att operatören kör maskinen bort från sluttningen, med extrem försiktighet, vid tecken på försämrad dragkraft. Vänta till dess att orsaken till problemet är åtgärdad innan du försöker köra maskinen i sluttningen igen. Terrängtillstånd kan påverka dragkraften, vilket kan leda till förlorad kontroll över maskinen. Några tillstånd att vara medveten om är:

1. Våt terräng
2. Sänkor (till exempel hål, hjulspår, erosion)
3. Gytta
4. Viss mark (till exempel sand, lera eller grus)
5. Grästypp, -täthet och -höjd
6. Extremt torra underlag
7. Däcktryck

Även de monterade tillbehören påverkar hur maskinen betar sig i sluttningar. Var medveten om att egenskaperna för de olika tillbehören varierar.

Dessa är bara några exempel på situationer där du måste vara extra försiktig i sluttningar. De potentiella farorna är för många att nämna. Kom alltid ihåg att vidta extrem försiktighet i alla sluttningar.

5 ELEKTRISKT SYSTEM

5.1 ELSYSTEMSÄKERHET

- Ta ut nyckel och batterier och läs bruksanvisningen innan du justerar eller reparerar enheten.
- Ta alltid ut nyckel och batterier innan du arbetar med denna enhet.
- Koppla alltid bort nyckeln och batterierna under transport.
- Se till att utrustningen alltid är fri från klippt gräs, löv och annat skräp. Rengör INTE enheten genom att spruta vatten på den. Använd enbart tryckluft.

Bär lämpliga ögon- och hörselskydd när du rengör enheten.

- Bär alltid skyddsglasögon och skyddskläder när du befinner dig i närheten av batteriet. Använd isolerade verktyg.
- Rengör batterifacket, drivmotorrummet, klippardäcket, sätet osv. Använd inte lösningsmedel eller rengöringsmedel med slipmedel.
- När nyckeln är i PÅ-läge (PTO) kan bladen aktiveras om På-/Av-brytaren (PTO) aktiveras trots att drivmotorn inte är igång. Se till att inga andra personer befinner sig i närheten när du aktiverar däckbladet med brytaren.
- Alla ytor avsedda för underhåll och förvaring ska vara välventilerade och överensstämna med tillämpliga riktlinjer för att undvika brandfaror.
- Exponera aldrig batterierna för lågor, gnistor eller rök.
- Håll batterierna utom räckhåll för barn.
- Se alltid till att skärmar, höljen och skydd är ordentligt monterade. Reparera eller byt ut dem omedelbart om de är skadade. Modifiera eller ta aldrig bort några säkerhetsanordningar.

5.2 INFORMATION OM DET ELEKTRISKA SYSTEMET

Cramer-gräsklipparen har ett 82 V-elsystem. Det består av följande komponenter:

1. Klippmodul (1)
2. Bladmotor (2)
3. Drivstyrenhet (1)
4. Accelerator - höger (1)
5. Accelerator - vänster (1)
6. Digital display (1)
7. Hjulmotor (2)
8. Batteripaket (1)

5.3 DIGITAL DISPLAY

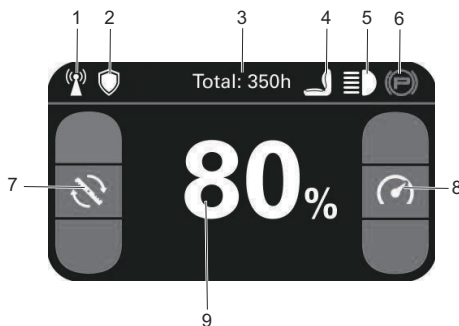
Den digitala displayen på kontrollpanelen tillhandahåller information om det elektriska systemet till operatören.

6 FEL

CANBUS-systemet kommer att vidta åtgärder för att skydda användaren och maskinen när det upptäcker ett problem. När den stänger av maskinen eller en komponent kommer den att indikera att ett fel har inträffat och felet kommer att visas på den digitala displayen. Alla elektriska fel har en bokstavskod åtföljd av en siffra. Den första bokstaven beskriver systemet som orsakade felet enligt detta diagram:

Namn	Betyder
TR	Höger styrenhet och motor
TL	Vänster styrenhet och motor
PMU	Strömenhet (i batterifacket)
ML	Vänster bladmotor styrenhet
MR	Höger bladmotor styrenhet

Den ger detaljerad information i form av mönster, koder och siffror.



#	Namn	Funktion
1		4G GPS-signal
2		GreenShield
3	Totalt: 350h	Fordonets arbetstid
4		Sätetsbrytaren är stängd.
5		LED-lampa
6		Parkeringsbromsen är ilagd.
7		Klingans hastighet
8		Körhastighet
9	80 %	Batteri procent

6.1 FELKOD

Felkod	Beskrivning	Lösning
TR1	Motorpositioneringsfel	Starta om strömförsörjningen.
TR2	Drivmotorn har stannat	Kontrollera om drivhjulens hastighet har fastnat och starta om strömmen.
TR3	Låghastighetskydd	Starta om strömförsörjningen.
TR4	Motor överhastighetskydd	Starta om strömförsörjningen.
TR5	Motor Hall-sensorfel	Kontrollera att Hall-effektkontakten på drivkontrollen är korrekt ansluten och starta sedan om strömmen.
TR6	Kontroll fasförlust	Kontrollera att motorkablarna till drivenheten är korrekt anslutna och starta sedan om strömmen.
TR7	MOSFET fel på öppen krets	Om du råkar ut för detta problem ska du kontakta din distributör.
TR8	Styrenhetens underspänning	Batterispänningen är för låg. Ladda batteripaketet före användning.
TR9	Styrenhetens överspänning	Batterispänningen är för hög. Starta om strömförsörjningen.
TR10	Batteri låg temperatur	Temperaturen i batterifacket och batteriet är för låg. Använd maskinen i lämplig temperatur och starta om.
TR11	PMU-övertemperatur Hög batteritemperatur	Batterifacket och batteriets temperatur är för högt. Vänta tills batteriet har svalnat och starta sedan om.
TR12	Motor övertemperatur	Motorn överhettar. Vänta tills motorn har svalnat och starta sedan om.
TR13	Reglage övertemperatur	Reglaget överhettar. Vänta tills reglaget har svalnat och starta sedan om.
TR14	Programvara överström	För hög belastning. Starta om strömförsörjningen.
TR15	Hårdvara överström	För hög belastning. Starta om strömförsörjningen.
TR16	Fel på hastighetsreglage	Kontrollera att hastighetsreglaget till enheten är korrekt anslutet och starta sedan om.
TR17	Reglage förladdningsfel	Starta om strömförsörjningen.
TR18	Bromsfel	Starta om strömförsörjningen.
TR19	Driftsekvensfel	Placera de vänstra och högra handtagen i parkeringsläge och bladets starkkontakt i AV-läge. Sätt dig på sätet och försök igen.
TR20	Fel på vinkelsensorn	Starta om strömförsörjningen.
TR21	Reläfel	Starta om strömförsörjningen.
TR22	Magnetventilfel	Kontrollera att drivmotorns magnetventil är korrekt ansluten och starta sedan om.
TR23	Kommunikationsfel på batterifack (PMU).	Kommunikationsfel med batterifacket. Starta om strömförsörjningen.
TR24	Fel på batterifack (PMU).	Mindre allvarligt/allvarligt fel på batterifacket. Kontrollera och starta om.
TR25	CAN-tidsgränsfel – vänster enhet	Kommunikationsfel med vänster reglage. Starta om strömförsörjningen.
TR26	CAN-tidsgränsfel – höger enhet	Kommunikationsfel med höger reglage. Starta om strömförsörjningen.

Svenska

Felkod	Beskrivning	Lösning
TR27	CAN-tidsgränselfel – vänster blad	Kommunikationsfel med vänster reglage. Starta om strömförsörjningen.
TR28	CAN-tidsgränselfel – centralblad	Kommunikationsfel med centraldrivenhet. Starta om strömförsörjningen.
TR29	CAN-tidsgränselfel – höger blad	Kommunikationsfel med höger bladreglage. Starta om strömförsörjningen.
TR30	Fel på batterifackets lucka	Kontrollera att kontakten under sätet är korrekt ansluten och starta sedan om.
TR31	Verifieringsfel för sätesbrytare	Kontrollera att kontakten under sätet är korrekt ansluten och starta sedan om.
TR32	Autentiseringsfel för programvaran	Starta om strömförsörjningen.
TL1	Motorpositioneringsfel	Starta om strömförsörjningen.
TL2	Drivmotorn har stannat	Kontrollera om drivhjulens hastighet har fastnat och starta om strömmen.
TL3	Motor låghastighetskydd	Starta om strömförsörjningen.
TL4	Motor överhastighetskydd	Starta om strömförsörjningen.
TL5	Motor Hall-sensorfel	Kontrollera att Hall-effektkontakten på drivkontrollen är korrekt ansluten och starta sedan om strömmen.
TL6	Kontroll fasförlust	Kontrollera att motorkablarna till drivenheten är korrekt anslutna och starta sedan om strömmen.
TL7	MOSFET fel på öppen krets	Om du råkar ut för detta problem ska du kontakta din distributör.
TL8	Styrenhetens underspänning	Batterispänningen är för låg. Ladda batteripaketet före användning.
TL9	Styrenhetens överspänning	Batterispänningen är för hög. Starta om strömförsörjningen.
TL10	Batteri låg temperatur	Temperaturen i batterifacket och batteriet är för låg. Använd maskinen i lämplig temperatur och starta om.
TL11	PMU-övertemperatur Hög batteritemperatur	Batterifacket och batteriets temperatur är för högt. Vänta tills batteriet har svalnat och starta sedan om.
TL12	Motor övertemperatur	Motorn överhettar. Vänta tills motorn har svalnat och starta sedan om.
TL13	Reglage övertemperatur	Reglaget överhettar. Vänta tills reglaget har svalnat och starta sedan om.
TL14	Programvara överström	För hög belastning. Starta om strömförsörjningen.
TL15	Hårdvara överström	För hög belastning. Starta om strömförsörjningen.
TL16	Fel på hastighetsreglage	Kontrollera att hastighetsreglaget till enheten är korrekt anslutet och starta sedan om.
TL17	Reglage förladdningsfel	Starta om strömförsörjningen.
TL18	Bromsfel	Starta om strömförsörjningen.
TL19	Driftsekvensfel	Placera de vänstra och högra handtagen i parkeringsläge och bladets startkontakt i AV-läge. Sätt dig på sätet och försök igen.
TL20	Fel på vinkelsensorn	Starta om strömförsörjningen.
TL21	Reläfel	Starta om strömförsörjningen.

Felkod	Beskrivning	Lösning
TL22	Magnetventilfel	Kontrollera att drivmotorns magnetventil är korrekt ansluten och starta sedan om.
TL23	Kommunikationsfel på batterifack (PMU).	Kommunikationsfel med batterifacket. Starta om strömförsörjningen.
TL24	Fel på batterifack (PMU).	Mindre allvarligt/allvarligt fel på batterifacket. Kontrollera och starta om.
TL25	CAN-tidsgränselfel – vänster enhet	Kommunikationsfel med vänster reglage. Starta om strömförsörjningen.
TL26	CAN-tidsgränselfel – höger enhet	Kommunikationsfel med höger reglage. Starta om strömförsörjningen.
TL27	CAN-tidsgränselfel – vänster blad	Kommunikationsfel med vänster reglage. Starta om strömförsörjningen.
TL28	CAN-tidsgränselfel – centralblad	Kommunikationsfel med centraldrivenhet. Starta om strömförsörjningen.
TL29	CAN-tidsgränselfel – höger blad	Kommunikationsfel med höger bladreglage. Starta om strömförsörjningen.
TL30	Fel på batterifackets lucka	Kontrollera att kontakten under sätet är korrekt ansluten och starta sedan om.
TL31	Verifieringsfel för operatörsnärvarobrytare	Kontrollera att kontakten under sätet är korrekt ansluten och starta sedan om.
TL32	Autentiseringsfel för programvaran	Starta om strömförsörjningen.
ML1	Motorpositioneringsfel	Starta om strömförsörjningen.
ML2	Bladmotorn har stannat	Kontrollera klippbelastningen och ställ in knivbrytaren till utgångsläget.
ML3	Låghastighetsskydd	Starta om strömförsörjningen.
ML4	Motor överhastighetsskydd	Starta om strömförsörjningen.
ML5	Motor Hall-sensorfel	Kontrollera att Hall-effektkontakten på bladreglaget är korrekt anslutet och starta sedan om.
ML6	Kontroll fasförlust	Kontrollera att motorkablarna till drivenheten är korrekt anslutna och starta sedan om strömmen.
ML7	MOSFET fel på öppen krets	Om du råkar ut för detta problem ska du kontakta din distributör.
ML8	Styrenhetens underspänning	Batterispänningen är för låg. Ladda batteripaketet före användning.
ML9	Styrenhetens överspänning	Batterispänningen är för hög. Starta om strömförsörjningen.
ML10	Batteri låg temperatur	Temperaturen i batterifacket och batteriet är för låg. Använd maskinen i lämplig temperatur och starta om.
ML11	PMU-övertemperatur Hög batteritemperatur	Batterifacket och batteriets temperatur är för högt. Vänta tills batteriet har svalnat och starta sedan om.
ML12	Motor övertemperatur	Motorn överhettar. Vänta tills motorn har svalnat och starta sedan om.
ML13	Reglage övertemperatur	Reglaget överhettar. Vänta tills reglaget har svalnat och starta sedan om.
ML14	Programvara överström	För hög belastning. Starta om strömförsörjningen.
ML15	Hårdvara överström	För hög belastning. Starta om strömförsörjningen.

Felkod	Beskrivning	Lösning
ML16	Fel på hastighetsreglage	Kontrollera att hastighetsreglaget till enheten är korrekt anslutet och starta sedan om.
ML17	Reglage förladdningsfel	Starta om strömförsörjningen.
ML18	Bromsfel	Starta om strömförsörjningen.
ML19	Driftsekvensfel	Placera de vänstra och högra handtagen i parkeringsläge och bladets startkontakt i AV-läge. Sätt dig på sätet och försök igen.
ML20	Fel på vinkelsensorn	Starta om strömförsörjningen.
ML21	Reläfel	Starta om strömförsörjningen.
ML22	Magnetventilfel	Kontrollera att motorns magnetventil är korrekt ansluten och starta sedan om.
ML23	Kommunikationsfel på batterifack (PMU).	Kommunikationsfel med batterifacket. Starta om strömförsörjningen.
ML24	Fel på batterifack (PMU).	Mindre allvarligt/allvarligt fel på batterifacket. Kontrollera och starta om.
ML25	CAN-tidsgränsfel – vänster enhet	Kommunikationsfel med vänster reglage. Starta om strömförsörjningen.
ML26	CAN-tidsgränsfel – höger enhet	Kommunikationsfel med höger reglage. Starta om strömförsörjningen.
ML27	CAN-tidsgränsfel – vänster blad	Kommunikationsfel med vänster reglage. Starta om strömförsörjningen.
ML28	CAN-tidsgränsfel – centralblad	Kommunikationsfel med centraldrivenhet. Starta om strömförsörjningen.
ML29	CAN-tidsgränsfel – höger blad	Kommunikationsfel med höger bladreglage. Starta om strömförsörjningen.
ML30	Fel på batterifackets lucka	Kontrollera att kontakten under sätet är korrekt ansluten och starta sedan om.
ML31	Det gick inte att verifiera bladsignalen	Kontrollera att bladets startomkopplare är korrekt ansluten och återställ sedan strömbrytaren till sitt ursprungliga läge
ML32	Autentiseringsfel för programvaran	Starta om strömförsörjningen.
MR1	Motorpositioneringsfel	Starta om strömförsörjningen.
MR2	Bladmotorn har stannat	Kontrollera klippbelastningen och ställ in knivbrytaren till utgångsläget.
MR3	Låghastighetsskydd	Starta om strömförsörjningen.
MR4	Motor överhastighetsskydd	Starta om strömförsörjningen.
MR5	Motor Hall-sensorfel	Kontrollera att Hall-effektkontakten på bladreglaget är korrekt anslutet och starta sedan om.
MR6	Kontroll fasförlust	Kontrollera att motorkablarna till drivenheten är korrekt anslutna och starta sedan om strömmen.
MR7	MOSFET fel på öppen krets	Om du råkar ut för detta problem ska du kontakta din distributör.
MR8	Styrenhetens underspänning	Batterispänningen är för låg. Ladda batteripaketet före användning.
MR9	Styrenhetens överspänning	Batterispänningen är för hög. Starta om strömförsörjningen.

Felkod	Beskrivning	Lösning
MR10	Batteri låg temperatur	Temperaturen i batterifacket och batteriet är för låg. Använd maskinen i lämplig temperatur och starta om.
MR11	PMU-övertemperatur Hög batteritemperatur	Batterifacket och batteriets temperatur är för högt. Vänta tills batteriet har svalnat och starta sedan om.
MR12	Motor övertemperatur	Motorn överhettar. Vänta tills motorn har svalnat och starta sedan om.
MR13	Reglage övertemperatur	Reglaget överhettar. Vänta tills reglaget har svalnat och starta sedan om.
MR14	Programvara överström	För hög belastning. Starta om strömförsörjningen.
MR15	Hårdvara överström	För hög belastning. Starta om strömförsörjningen.
MR16	Fel på hastighetsreglage	Kontrollera att hastighetsreglaget till enheten är korrekt anslutet och starta sedan om.
MR17	Reglage för-laddningsfel	Starta om strömförsörjningen.
MR18	Bromsfel	Starta om strömförsörjningen.
MR19	Driftsekvensfel	Placera de vänstra och högra handtagen i parkeringsläge och bladets startkontakt i AV-läge. Sätt dig på sätet och försök igen.
MR20	Fel på vinkelsensorn	Starta om strömförsörjningen.
MR21	Reläfel	Starta om strömförsörjningen.
MR22	Magnetventilfel	Kontrollera att motorns magnetventil är korrekt ansluten och starta sedan om.
MR23	Kommunikationsfel på batterifack (PMU).	Kommunikationsfel med batterifacket. Starta om strömförsörjningen.
MR24	Fel på batterifack (PMU).	Mindre allvarligt/allvarligt fel på batterifacket. Kontrollera och starta om.
MR25	CAN-tidsgränsfel – vänster enhet	Kommunikationsfel med vänster reglage. Starta om strömförsörjningen.
MR26	CAN-tidsgränsfel – höger enhet	Kommunikationsfel med höger reglage. Starta om strömförsörjningen.
MR27	CAN-tidsgränsfel – vänster blad	Kommunikationsfel med vänster reglage. Starta om strömförsörjningen.
MR28	CAN-tidsgränsfel – centralblad	Kommunikationsfel med centraldrivenhet. Starta om strömförsörjningen.
MR29	CAN-tidsgränsfel – höger blad	Kommunikationsfel med höger bladreglage. Starta om strömförsörjningen.
MR30	Fel på batterifackets lucka	Kontrollera att kontakten under sätet är korrekt ansluten och starta sedan om.
MR31	Det gick inte att verifiera bladsignalen	Kontrollera att bladets startomkopplare är korrekt ansluten och återställ sedan strömbrytaren till sitt ursprungliga läge.
MR32	Autentiseringsfel för programvaran	Starta om strömförsörjningen.
PMU10	Öppen krets i batteripaketet i PMU	Oanslutet batteripaket i batterifacket. Maskinens prestanda kan påverkas.
PMU11	PMU enkelt fel	Ett enklare fel i batterifacket hindrade bladsystemet från att starta. Vänta tills systemet återhämtat och återställ sedan bladbrytaren.

Felkod	Beskrivning	Lösning
PMU12	PMU kritisk fel	Ett kritisk fel i batterifacket hindrade bladsystemet från att starta. Starta om och försök igen.
PMU13	PMU inget batteripaket tillgängligt	Kontrollera att du använder korrekt batteripaket och starta sedan om.

7 UNDERHÅLL

7.1 UNDERHÅLL AV KLIPPBLAD

Kontrollera klippbladen dagligen. De är avgörande för strömförbrukning och resultat. Håll dem vassa – ett trubbigt blad sliter av snarare än klipper gräset, vilket lämnar topparna bruna inom några timmar. Ett trubbigt blad förbrukar mer ström. Byt ut böjda, krökta eller trasiga blad.

▲ VARNING

Försök aldrig att räta ut ett böjt blad genom uppvärmning. Svetsa heller aldrig ett sprucket eller brustet blad, eftersom det kan gå sönder och orsaka allvarliga skador. Byt ut slitna eller skadade blad.

▲ VARNING

Arbeta aldrig med bladen när nyckeln sitter i tändningslåset. Vrid nyckeln till Av-läge och ta ut batteriet ur maskinen. Använd hjulblock när du arbetar under gräsklipparen. Bär handskar när du hanterar bladen. Kontrollera alltid bladet avseende skada om maskinen slår i en sten, gren eller andra föremål!

▲ VARNING - LIVSFARA

Du kan slipa bladet med en fil. Kontrollera bladen avseende balans efter slipning. Du kan köpa ett balanseringsverktyg i de flesta järnaffärer, eller så kan du balansera bladet genom att placera det på en inverterad håltagare eller 12,7 mm bult. Bladet ska inte luta. Bladet ska inte vackla när det snurrar långsamt. Justera bladet om det är obalanserat innan du monterar det igen. Lägg bladet på en plan yta och kontrollera det avseende deformation. Byt ut deformerade blad.

▲ VARNING

- Bladseglet (krökt del) ska vara riktat uppåt mot insidan av däckets.
- När du monterar bladen ska du rotera dem efter installationen för att säkerställa att bladeggen inte vidrör varandra eller sidorna på gräsklipparen.
- Om du inte drar åt bulten till rätt vridmoment kan bladet lossna, vilket kan leda till allvarliga personskador.
- Bladen är vassa. Bär handskar och var extra försiktig när du utför service.

7.1.1 BYTA UT KNIVEN

Se figur 17

1. Stanna motorn, ta ur startnyckeln och dra åt parkeringsbromsen.
2. Höj höjden på däckets till dess högsta läge för att komma åt bladen.

i NOTERA

Vid behov, höj klipparen genom att placera den på en hiss eller använd en domkraft/domkrafter, eller ta bort däckets enligt beskrivningen i föregående avsnitt för att komma åt bladen.

▲ VARNING

Om du höjer gräsklipparen för att komma åt bladen ska du se till att gräsklipparen är ordentligt säkrad och att parkeringsbromsen är åtdragen innan du fortsätter. Om gräsklipparen inte säkras ordentligt kan den falla, vilket kan leda till dödsfall eller allvarliga personskador.

3. Kila in en träbit mellan bladet och klippdäcket för att förhindra att bladet vrider sig.
4. Lossa bladmuttern genom att vrida moturs (sett från klipparens undersida) med en 16 mm skiftnyckel eller hylsa (medföljer ej).

5. Ta bort bladmuttern, distansen, bladisolatorn och bladet.
6. Trå bladmuttern över axeln och dra åt med fingrarna.
7. Vrid bladmuttern medurs till rätt vridmoment med en vridmomentnyckel (medföljer ej) för att säkerställa att bulten är korrekt åtdragen. Det rekommenderade vridmomentet för muttern är 90 N.m~100N.m (66~74 fotpund).

▲ VARNING

Se till att bladet sitter ordentligt och att bladmuttern är åtdragen enligt specifikationerna för vridmoment ovan. Underlåtenhet att fästa bladet korrekt kan göra att det lossnar och orsaka allvarliga personskador.

8. Upprepa proceduren med det andra bladet vid behov.

i NOTERA

Se till att alla delar byts ut i exakt samma ordning som de togs bort.

7.2 DÄCK

Det är viktigt att alla däck har rätt lufttryck. De rekommenderade trycken är:

i NOTERA

Mät eller justera däcktryck när däcken är kalla.

Drivhjul	8 psi
Främre svängbara hjul	37 psi

i NOTERA

Kontrollera däcken varje dag. Byt ut skadade däck omedelbart.

▲ VARNING

Kontrollera däcktrycket under pumpning. För mycket luft i däck kan få däck att explodera, vilket kan leda till allvarliga personskador.

7.3 SMÖRJNING

Se figur 19

Fyll på olja före användning.

Oljetyper	SAE85W-140
Oljekapacitet	180 ml

Kontakta din Cramer-återförsäljare för ny smörjning.

i NOTERA

Byt ut växellådans olja efter att du använt maskinen i 50 timmar för första gången, byt sedan ut oljan var 200:e timme.

7.4 VRIDMOMENTSVÄRDEN

▲ VARNING

Se alltid till att dra åt hjulmuttrarna och bladspindelbultarna ordentligt. Om du inte drar åt fästelementen till rätt vridmoment kan ett hjul eller bladet lossna, vilket kan leda till allvarliga material- eller personskador.

Se vridmomentsvärden nedan:

Del	Fotpund	Nm
Hjulmutter	89	120
Bladspindelbult	66	90

Enbart hjulmuttrar – vi rekommenderar att du kontrollerar dessa efter de första två drifttimmarna, och sedan var 100:e timme samt efter borttagning inför reparation eller bytesjobb.

7.5 UNDERHÅLL AV BATTERIPAKET

Din Cramer-gräsklippare har ett batteripaket som håller i många år vid lämpligt underhåll. Instruktioner för korrekt underhåll:

- Ladda alltid batterierna efter varje användning.
- Ladda batteriet så snart som möjligt när ett batteripaket är helt urladdat och avstängt. Överladdning av batteripaketet förkortar hållbarheten och kan skada batteriet permanent. Du behöver inte ladda batteriet fullt; det kan räcka med så lite som 5–10 minuter. Ladda med fördel upp batteriet inom 24 timmar.
- Avlägsna gräs, smuts och skräp från batteriterminalerna och batteriet.
- Ladda batterierna inomhus på en välventilerad och torr plats, borta från gnistor eller flammor. Utsätt aldrig batteripaketet för regn, ånga eller vätska.
- Använd enbart litiumbatterier från Cramer.
- Vidrör inte den oisolerade delen på laddaren (terminalstift) eller kontakten.
- Använd inte defekta kablar eller sladdar. Byt ut defekta kablar och sladdar omedelbart.
- För långtidsförvaring förvara batteripaketet i -20–45 °C under en månad, och 0–35 °C under två till tolv månader.
- Driftmiljön för batteripaketet är -20–55 °C för urladdning och 0–55 °C för laddning.

7.6 UNDERHÅLL AV BATTERIFACKFILTER

Byt ut batterifackets filter var 200:e timme.

7.7 SERVICE

i VIKTIGT

Utför ingen justering, rengöring eller reparation förrän gräsklipparen är helt stillastående. Enbart utbildad underhållspersonal bör utföra reparationer eller underhåll som innefattar ström. Läs och följ säkerhetsvarningarna på framsidan av manualen.

i VIKTIGT

Enbart utbildad underhållspersonal bör utföra reparationer eller underhåll som innefattar ström.

- Parkera gräsklipparen på jämn mark. Se till att styrspakarna är i friläge, och att PTO-brytaren är i AV-läget. Lyft däck, vrid nyckeln till AV-läge, ta ur nyckeln från strömbrytaren och ta bort batteripaketet från batterifacket under sätet.
- Enbart utbildade servicetekniker får utföra underhåll som kräver borttagning av skydd.
- Använd en pinne eller ett liknande instrument för att rengöra undersidan av gräsklipparen, utan att några kroppsdelar – särskilt inte armar och händer – hamnar under den.
- Håll maskinen ren och avlägsna ansamlad skräp och gräs.
- Håll batterifacket, däck och operatörsplatsen rena från skräp, gräs och annan smuts.
- Rengör batterifacket, drivmotorrummet, klippardäcket, sätet osv. Rengör enbart med tryckluft. Använd INTE vatten, lösningsmedel eller rengöringsmedel med slipmedel.
- Bär alltid lämpligt ögonskydd när du servar batterierna, slipar bladen och tar bort ansamlad smuts. Försök aldrig att justera eller reparera drivsystemet i gräsklipparen, däck eller andra tillbehör när drivsystemet är igång. Enbart utbildad underhållspersonal bör utföra reparationer eller underhåll som innefattar ström.
- Använd alltid domkrafter för arbete under maskinen eller en tillsats. Kontrollera att maskinen är stabil när du har placerat den på domkrafterna.

- Domkrafterna ska förhindra att maskinen kan röra sig när drivsystemet är igång och hjulen roterar. Använd bara certifierade domkrafter. Använd lämpliga domkrafter som kan bära min. 907,2 kg. Använd enbart par. Följ instruktionerna som medföljer domkrafterna.
- Vidrör inte heta maskindelar.
- Kontrollera att muttrar och bultar, särskilt bladbultarna, är korrekt åtdragna. Håll utrustningen i gott skick.
- Ändra aldrig säkerhetsanordningarna. Kontrollera korrekt drift regelbundet.
- Vrid nyckeln till AV-läge och innan rengöring av utkastöppningen.
- Rensa aldrig utmatningstratten när maskinen är igång. Vrid nyckeln till Av-läge och se till att bladen har stannat innan rengöring. Använd en pinne för att rensa utmatningsrännan om den är tilltäppt. Använd aldrig händerna!
- Stoppa enheten och bladen innan du rensar utmatningstratten. Komponenterna i gräsuppsamlingsystemet är slitagedelar som kan exponera rörliga delar och som inte alltid kan hindra maskinen från att slunga ut föremål. Kontrollera komponenterna regelbundet och byt vid behov ut dem mot delar som tillverkaren har rekommenderat.
- Var försiktig när du arbetar under däckets, eftersom bladen är extremt vassa. Bär handskar och var extra försiktig när du utför service.
- Använd bara originaldelar från Cramer.
- Plocka alltid ur batterierna vid transport av enheten. Se till att utrustningen alltid är fri från klippt gräs, löv och annat skräp.
- Kontrollera bromsfunktionen regelbundet. Justera och serva efter behov.
- Underhåll eller byt ut säkerhets- och instruktionsetiketter vid behov.
- Gräsklipparen får endast repareras av kvalificerad reparatör och med originalreservdelar. Detta garanterar att gräsklipparens säkerhet bibehålls.
- Ladda batterierna endast i de laddare som tillverkaren rekommenderat. Om en laddare som är avsedd för en viss typ av batterier används för andra batterityper kan detta orsaka bränder.

8 TRANSPORT OCH FÖRVARING

8.1 FRAKT

▲ VARNING

Var extra försiktig när du lastar eller lastar av maskinen på ett släp. Tryck på låghastighetsknappen och manövrera försiktigt körspakarna efter behov för att styra hastigheten. Backa alltid upp på släpet vid frakt. När du lastar eller lastar av gräsklipparen, överskrid inte den maximala rekommenderade arbetsvinkeln på 15°. Underlåtenhet att följa dessa instruktioner kan leda till att operatören tappar kontroll över gräsklipparen och kan orsaka dödsfall, allvarliga personskador eller skador på egendom.

▲ VARNING

Var extra försiktig när du lastar eller lastar av gräsklipparen på ett släp. Se till att däckets höjd är höjt till dess högsta läge så att det inte fastnar på rampen. Hjulen på gräsklipparen kan åka av rampen eller släpet så att gräsklipparen svänger eller välter vilket kan leda till klämskador som kan orsaka dödsfall eller allvarliga personskador.

1. Parkera gräsklipparen på jämn mark.
2. Hög däckets till dess högsta läge.
3. Placera och säkra rampen på släpvagnen enligt tillverkarens instruktioner.

i NOTERA

Vi rekommenderar att du använder en lastramp med full bredd som är minst 30 cm (1 fot) bredare än klipparen för att undvika att hjulen på gräsklipparen åker av sidan av rampen.

4. Backa sakta klipparen upp på rampen och in i släpet.
5. Sänk klippdäcket helt.
6. Dra åt parkeringsbromsen.
7. Stäng av gräsklipparen och ta ur nyckeln.
8. Fäst gräsklipparen med remmar eller kablar för att förhindra rörelse under transport vid behov.

▲ VARNING

Undvik att maskinen oavsiktligt startar eller plötsliga rörelser som kan resultera i allvarliga personskador genom att alltid ta ur startnyckeln och dra åt parkeringsbromsen vid frakt av gräsklipparen.

8.2 RENGÖRING OCH FÖRVARING

8.2.1 RENGÖRA MASKINEN

- Avlägsna gräs och löv på eller runt motorhöljet (använd inte vatten från en högtryckspistol för att spola av motorn).
- Rengör gräsklipparen ibland med en torr duk.
- Om skräp ansamlas på undersidan av gräsklipparen under användning ska du stoppa motorn, stänga av maskinen och skrapa rent den med ett lämpligt verktyg.

8.2.2 RENGÖRA DÄCKET

Se figur 18

- Dra åt parkeringsbromsen i parkeringsspåren.
- Justera däcket höjd till dess lägsta läge.
- Fäst den medföljande rengöringsportens snabbkoppling till trädgårdsslangen.
- Fäst trädgårdsslangen med snabbkopplingen för att rengöra däckporten. Rengöringsporten sitter på vänster sida av däcket.
- Sätt på vattnet.
- Dra i PTO-brytaren för att starta gräsklipparens blad och justera knivhastigheten till högsta hastighet.
- Spola vatten under däcket i ungefär en minut.
- Koppla ur bladen genom att trycka PTO-brytaren nedåt.
- Stäng av vattnet och koppla loss trädgårdsslangen och snabbkopplingen från rengöringsporten.
- Koppla loss snabbkopplingen från trädgårdsslangen och förvara den för framtida bruk.
- Stäng av gräsklipparen helt.

8.2.3 FÖRVARA MASKINEN

Vidta följande steg för att förbereda maskinen inför förvaring.

- Rengör maskinen enligt föregående avsnitt.
- Inspektera bladet och byt ut det eller slipa det vid behov (se avsnittet Underhåll).
- Förvara inte maskinen intill frätande material, till exempel gödselmedel eller bergsalt.
- Förvara maskinen utom räckhåll för barn.
- Täck inte över maskinen med en presenning. Presenningar stänger inne fukt runt maskinen, vilket bildar rost och korrosion.
- Kontrollera avseende skada eller skadade delar, och beställ nya från din återförsäljare vid behov.
- Kontakta ett servicecenter för att smörja maskinen.
- Ladda batterierna helt.
- Töm inte däck på luft.
- Förvara maskinen på en välventilerad, ren och torr plats, eftersom batteriladdaren inte är konstruerad för användning i fuktiga miljöer.
 - Batterierna ska alltid vara fulladdade. Det är särskilt viktigt att förhindra batteriskada när temperaturen är under 0 °C (32 °F).
 - Koppla in laddaradaptorn i laddningsporten och batterierna enligt avsnittet Laddningsadapter under Elektriskt system.
 - Sätt i laddaren i ett lämpligt uttag. Se Batteriladdare, Batteriladdning och Laddningsrekommendationer i avsnittet Elektriskt system för mer information om att använda laddaren och ladda batterierna.
 - Genom att ladda batteriet fullt direkt efter varje användning kan du maximera hållbarheten.

8.2.4 FÖRBEREDA FÖR ANVÄNDNING EFTER FÖRVARING

Följande steg bör vidtas innan du använder gräsklipparen efter förvaring:

- Ladda batterierna helt.
- Kontrollera däcktrycket och pumpa däcken vid behov.
- Kör klipparen en kort runda och kontrollera alla system och komponenter för att säkerställa att de fungerar korrekt.

9 FELSÖKNING

PROBLEM	MÖJLIG ORSAK	LÖSNING
Fordonet rör sig inte.	Batterifacket är inte isatt i batteripaketet eller så är det fel sorts Cramer-batteripaket.	Säkerställ normal drift av fordonet genom att placera minst 1 Cramer av de avsedda batteripaketprodukterna i batterifacket.
	Batteriet är inte laddat.	Kontrollera batteripaketets ström.
	Styrspakarna är i parkeringsbromsläge.	Se till att vänster och höger styrspak inte är i parkeringsbromsläge.
	Ingen sitter på sätet eller sätesbrytare har inte stängts.	Se till att föraren sitter på sätet.
	Vänster och höger parkeringsbrytare är inte i utgångsläge när strömmen slås på.	Ställ in styrspakarna i parkeringsbromsläge och starta om maskinen, om den fortfarande inte kan startas, kontakta behörig Cramerservicepersonal.
	Batterifacket är i viloläge.	Vrid nyckelomkopplaren till AV-växeln och vänta mer än 5 sekunder innan du startar om maskinen.
Oväntat haveri under körning	Batteriet är inte laddat.	Säkerställ normal drift av hela fordonet genom att placera minst 1 stycke av avsedda Cramer-batteripaketprodukter i batterifacket och se till att batteripaketet har ström.
	Ojämna och gropiga vägar, vilket resulterar i att operatörens närvarobrytare kopplas bort.	Ställ in styrspakarna i parkeringsbromsläge och starta om maskinen.
	Fel på vänster/höger gaspedalen.	Kontakta Cramer-kundservicepersonal.
	Drivstyrenhet startade ej.	Kontakta Cramer kundservicepersonal.
Bladet fungerar inte efter att ha dragit i PTO-brytaren.	Batterifacket sitter inte i batteripaketet som specificeras av Cramer.	Säkerställ normal drift av hela fordonet genom att placera minst 1 stycke av avsedda Cramer-batteripaketprodukter i batterifacket och se till att batteripaketet har ström.
	Batterieffekten är lägre än 5 %.	Kontrollera batterieffekten. Ladda batteriet vid låg batterinivå.
	Sätesbrytaren är inte stängd.	Se till att föraren sitter på sätet.
	Bladomkopplaren (PTO) är inte i utgångsläge innan strömmen slås på.	Tryck på PTO-brytaren och dra upp det igen.
	Blockering av bladmotor eller annat funktionsskydd.	Kontrollera att inte ogräs och andra främmande föremål har fastnat i anslutningen mellan bladet och motorn för att säkerställa jämn bladrotation. Vi rekommenderar att du reser däcket och startar bladet innan du justerar däcket till önskad växel.
	Fel på drivstyrenhet.	Kontrollera felkoden som visas på displayen.
Bladen stannar under gräsklippning.	Fel på bladreglage.	Kontrollera felkoden som visas på displayen.
	Bladmotor överbelastning.	Rengör insidan av däcket, se till att det inte finns någon onormal bladrotation, tryck på PTO-brytaren, starta om maskinen och minska bladbelastningen, antingen genom att höja skärdäcket eller minska körhastigheten.
	Batteripaketets temperatur är för hög.	Använd inte omedelbart efter laddning, annars kan det utlösa batteripaketets temperaturskyddsfel.
	Batterieffekten är lägre än 5 %.	Lågt batteripaket, ladda batteriet.

PROBLEM	MÖJLIG ORSAK	LÖSNING
	Bladet stöter på ett främmande föremål, vilket orsakar ett plötsligt stopp.	Vrid startnyckeln till Av-läge och vänta mer än 5 sekunder innan du startar om maskinen.
	Fel på drivstyrenhet.	Kontrollera felkoden som visas på displayen.
Gräsklipparen klipper gräset ojämnt med väldigt stor höjdskillnad.	Bladet är slött.	Polera bladet enligt bruksanvisningen.
	Bladet är böjt.	Byt ut det böjda bladet i enlighet med instruktionerna och se till att ha lämplig skyddsutrustning.
	Däcket är inte platt.	Se till att däcket sitter jämnt enligt instruktionerna för att säkerställa att vänster och höger sida har samma höjd.
Den faktiska klipphöjden överensstämmer inte med den markerade valda klipphöjden.	Lösa fästbultar på däcket.	Justera däckets fästbultar för att se till att det är korrekt installerat. Obs! Däcket måste jämnas ut igen efter justering av monteringsbultarna.
	Däcket är allvarligt slitet eller skadat.	Byta ut ett däck.
Onormal fragmentering	Gräsmattan är för blöt.	Kontrollera skicket på gräsmattan innan du klipper. Om gräset är för blött ska du vänta tills det torkar i solskenet eller blästen, låt daggen avdunsta innan du klipper.
	Gräsklipparen är inställd på att klippa för mycket gräs under en körning.	Om gräset är för tätt och långt, höj däcket och undvik tjockt gräs så gott det går.
Överdrivna maskinvibrationer	Bladen sitter löst.	Polera bladet enligt bruksanvisningen.
	Bladen är böjda.	Byt ut det böjda bladet, se till att bladet placeras i enlighet med instruktionerna och bär skyddshandskar.
	Ojämnt däck.	Se till att däcket sitter jämnt enligt instruktionerna för att säkerställa att vänster och höger sida har samma höjd.
	Löst däck.	Låst fast bultarna på däcket.
	Gräsklipparen är inställd på att klippa för mycket gräs under en körning.	Om gräset är för tätt och långt, höj däcket och undvik tjockt gräs så gott det går.
Gräs, löv eller skräp kvar på marken efter klippning.	Gräsklipparen är inställd på att klippa för mycket gräs under en körning.	Om gräset är för tätt och långt, höj däcket, om gräset är längre än 15 cm, klipp i två klippcykler för att uppnå full klippeffekt, försök att undvika att klippa tjockt gräs.
	Gräsmattan är för blöt.	Kontrollera tillståndet på gräsmattan – om gräset är för blött ska du vänta tills det torkar i solskenet eller blästen. Låt daggen avdunsta innan du klipper.
	För hög körhastighet.	Sänk hastigheten.
	Bladets skärhastighet är för låg.	Öka bladets hastighet.
Kort klipptid	Klippning av tätt gräs kan resultera i kort klipptid.	Höja däcket eller minska bladets hastighet kan öka klipparens användningstid på en laddning.
Gräsklipparen drar iväg	Olika däcktryck	Kontrollera klipparens bakre däcktryck regelbundet enligt bruksanvisningen.
Fordonet startar inte efter rengöring.	Felaktig rengöring, t ex vatten i LED-skärmen, batterifacket eller andra elektroniska komponenter.	<ol style="list-style-type: none"> 1. Följ instruktionerna för att rengöra maskinen. 2. Om fordonet av misstag blir genomvått, ställ fordonet torrt i 12 timmar eller varmluftstorka innan användning. 3. Kontakta Cramer-kundservicepersonal.
Gräsklipparen är blockerad.	Ogräs och skräp samlas på däcket.	Följ instruktionerna för att rengöra maskinen efter varje användning.

PROBLEM	MÖJLIG ORSAK	LÖSNING
I parkeringsläge glider och sladdar maskinen snabbt i nedförsbackar.	Kraftigt däckslitage.	Kontakta servicepersonal för att byta däcken.
	Den elektromagnetiska bromsen är skadad eller extremt sliten.	Kontakta servicepersonal för att byta ut den elektromagnetiska bromsen.
	Lossa den elektromagnetiska bromsen manuellt.	Kontrollera den elektromagnetiska bromsen och återställ den till utgångsläget.

10 TEKNISKA DATA

Modellnr.	82ZT107
Spänning	82 V
Bruttovikt	106±3 kg
Längd	170 cm
Höjd	117 cm
Bredd (med utmatning)	135 cm
Bredd (utan utmatning)	107 cm
Däckbredd	107 cm
Hastighet framåt	0-7.5 mph
Hastighet bakåt	0-3 mph
Klipphöjd	3.81-11.4 cm
Justeringsnivå för klipphöjd	7 st.
Obelastad hastighet	2400/3000/3200 varv/min
Laddningstid	4 h (med 8 A-laddare)
Motoreffekt	1.2 kW (bladmotor) 1.2 (drivmotor)
MAX. sluttningsförmåga	15°
Antal blad (utsläpp/marktäckningsmaterial)	2 st.
Uppmätt ljudtrycksnivå	$L_{pA} = 85.63 \text{ dB(A)}$, $K_{pA} = 3 \text{ dB(A)}$
Uppmätt ljudeffektnivå	$L_{wA} = 98.61 \text{ dB(A)}$
Garanterad ljudeffektnivå	$L_{wA,d} = 100 \text{ dB(A)}$
Vibration	Armar: $\leq 2.5 \text{ m/s}^2$, $K = 1.5 \text{ m/s}^2$
	Kropp: $\leq 2.5 \text{ m/s}^2$, $K = 1.5 \text{ m/s}^2$

11 BEGRÄNSAD GARANTI

11.1 VAD DEN HÄR GARANTIN TÄCKER

Cramer ger följande garanti enbart till den ursprungliga köparen ("ägaren"). Garantin är inte överlåtbar:

A. Hemmabruk: Garantin för användning av Cramer för normalt hemmabruk* är fem (5) år eller 1 500 drifttimmar (vilket som än inträffar först) efter inköpsdatumet. Det gäller för alla material och allt utförande kring chassi, däck och batterier. Garantin för slitagedelar och förbrukningsvaror, såsom däck och blad, är trettio (30) dagar från inköpsdatumet. Om ägaren inom garantiperioden upptäcker en defekt i material eller utförande:

- Ägaren måste omgående informera Cramer eller en auktoriserad återförsäljare om defekten per brev, e-postmeddelande, telefon, app eller personligen. Under inga omständigheter ska Cramer eller en auktoriserad återförsäljare motta sådant meddelande senare än fem (5) år efter inköpsdatumet.
- Inom rimlig tid efter sådant meddelande och verifiering av defekten kommer Cramer att korrigera defekter i material eller utförande på Cramer genom att antingen reparera eller byta ut delar med antingen nya eller begagnade reservdelar.
- Cramer bekostar sådan reparation, inkl. delar och arbete, enbart för den ursprungliga ägaren.

B. Kommersiell användning: Garantin för användning av Cramer för kommersiellt och institutionellt bruk är fem (5) år eller 1 500 drifttimmar (vilket som än inträffar först) efter inköpsdatumet. Det gäller för alla material och allt utförande kring chassi, däck och batterier. Garantin för slitagedelar och förbrukningsvaror (inkl. men inte begränsade till däck och blad) är trettio (30) dagar från inköpsdatumet. Om ägaren inom garantiperioden upptäcker en defekt i material eller utförande:

- Ägaren måste omgående informera Cramer eller en auktoriserad återförsäljare om defekten per brev, e-postmeddelande, telefon, app eller personligen. Under inga omständigheter ska Cramer eller en auktoriserad återförsäljare motta sådant meddelande senare än fem (5) år efter inköpsdatumet.
- Inom rimlig tid efter sådant meddelande och verifiering av defekten kommer Cramer att korrigera defekter i material eller utförande på Cramer genom att antingen reparera eller byta ut delar med antingen nya eller begagnade reservdelar.
- Cramer bekostar sådan reparation, inkl. delar och arbete, enbart för den ursprungliga ägaren (kommersiellt bruk).

i NOTERA

Underlåtenhet att underhålla batterierna och hålla dem fulladdade förkortar hållbarheten och upphäver batterigarantin. Bestämmelserna i den begränsade garantin gäller inte vid fel på grund av:

- Felaktig hantering eller försummelse, såsom vattenskada, lösa kablar, rost- eller frätskador.
- Olämpligt underhåll; skada orsakad av felaktig installation av batteriet; försummelse, användningsskador, exponering för extrema temperaturer, inkl. men inte begränsade till frystemperaturer, hög värme, närhet till värmekällor inklusive element eller eld, exponering för vatten eller andra ämnen, förstörelse, användning av batteriet i ett överladdat eller oladdat tillstånd.
- Batteriladdning genom andra system än originaladdaren.

Fotnot: **"Normalt hemmabruk" innebär här användning av produkten på din egen trädgård. Användning på fler än en plats går under begreppet kommersiellt bruk, efter vilket garantin för kommersiellt bruk gäller.*

11.2 VEM FÅR UTFÖRA GARANTISERVICE

Enbart auktoriserade Cramer-återförsäljare eller auktoriserade Cramer-servicetekniker får utföra garantiservice. Produktägaren står för kostnader för servicesamtal och/eller transport till och från den auktoriserade återförsäljaren, för garantijobb. Kontakta en auktoriserad återförsäljare för att erhålla garantiservice.

11.3 VAD DEN HÄR GARANTIN INTE TÄCKER

Cramer garanterar inte:

- Reparationer utförda av obehöriga personer.
- Skada orsakad av användning av Cramer i andra syften än de avsedda.
- Skador orsakade av katastrofer såsom eld, översvämning, vind och blixtnedslag.
- Skador orsakade av försummelse, våld, onormal användning, felaktig eller olämplig användning, olyckor, eller missbruk, till exempel vattenskador.
- Reparationer eller byten som är nödvändiga till följd av användning av icke godkända delar, tillbehör eller tillsatser.
- Reparationer eller byten som är nödvändiga till följd av ändringar som Cramer inte har godkänt och som påverkar driften, prestandan eller hållbarheten negativt.
- Produkter, komponenter eller delar som Cramer inte har tillverkat.
- Produkter som inte har kvar identifieringsinformation, inklusive men inte begränsat till borttaget eller oläsligt serienummer.
- Försämring eller skada orsakad av onormalt slitage, bristande eller felaktigt underhåll, underlåtenhet att följa instruktionerna för drift, underhåll och justering i ägarmanualen eller andra instruktioner som Cramer tillhandahåller.

- Delar som inte är underhålls- eller servicefria, inklusive men inte begränsade till smörjmedel, delar som kräver finjustering, blad, bladslipning, lager, broms- eller styrjustering.
- Produkter med icke godkänd programmering för den produkten, inklusive ändringar av parametrar, eftermarknadsprogrammering eller -justeringar, eller annan icke godkänd ändring av komponenter, elektronik eller programvara.

11.4 ANSVARSFRISKRIVNING

De förutnämnda garantierna gäller i stället för alla andra garantier, uttryckta eller underförstådda, inklusive men inte begränsade till garantier för säljbarhet eller lämplighet för ett visst syfte. Dock är underförstådda garantier för säljbarhet eller lämplighet för ett visst syfte begränsade till varaktigheten för den här begränsade garantin om kunden har köpt Cramer som en konsumentprodukt. Vissa regioner tillåter inte begränsningar för hur länge en underförstådd garanti gäller, så begränsningen ovan kanske inte gäller för dig. Den här garantin ger dig specifika rättigheter enligt lag, och du kan även ha andra rättigheter, som varierar beroende på region.

11.5 BEGRÄNSNING AV PÅFÖLJDER

Under inga omständigheter ska Cramer ansvara för särskilda, oavsiktliga eller efterföljande skador baserat på garantibrott, avtalsbrott, försummelse, skadeståndsskyldighet eller annan juridisk teori. Sådana skador inkluderar men är inte begränsade till:

- Vinstförlust
- Besparings- eller intäktsförlust
- Förlorad användning av Cramer eller annan tillhörande utrustning
- Kapitalkostnad
- Kostnad för ersättningsutrustning, anläggning, tjänster eller stilleståndstid
- Anspråk från tredje parter, inklusive kunder, och egendomsskada

SV

11.6 VARAKTIGHET

Om inte statlig lagstiftning fastställer annat:

Anspråk kring garantibrott ska inledas inom fem (5) år eller sextio (60) månader från inköpsdatumet. Detta gäller för både hemmabruk och kommersiellt bruk.

Om kunden köper produkten en mycket lång tid efter tillverkningsdatumet, kan Cramer komma att begränsa garantin ytterligare.

11.7 INGA ANDRA GARANTIER

Det här avtalet är ett fullständigt och exklusivt avtal mellan parterna, och det har företräde framför eventuella tidigare avtal, muntliga eller skriftliga, och all annan relaterad kommunikation mellan parterna.

11.8 ÄGARANSVAR

Du måste underhålla Cramer i enlighet med underhållsproceduren i din ägarmanual. Du ska själv bekosta sådant rutinunderhåll, oavsett om du eller en återförsäljare utför det.

Den här maskinen, precis som andra motordrivna maskiner, kan vara farlig om den inte används som avsett. Operatören måste vara försiktig och alltid ha ett säkerhetstänk. Operatören ska före användning av Cramer göra sig införstådd i ägarmanualen och informationen om drift och säkerhet, samt alla säkerhetsvarningar på själva maskinen.

11.9 TILLDELNING AV RISK

Avtalet tilldelar riskerna med produktfel mellan Cramer och ägaren. Båda parterna samtycker till tilldelningen, som återspeglas i priset för varorna.

11.10 GARANTIREGISTRERING

Om inte statlig lagstiftning fastställer annat:

1. Ägaren måste registrera enheten med Cramer inom tio (10) dagar efter inköpsdatumet.
2. Registreringen sker genom ett formulär för garantiregistrering, vilket finns i bruksanvisningen.
3. Det är även möjligt att slutföra registreringen med formulär på cramertools.com eller med appen och ett inköpsbevis (kvitto med inköpsdatum).

12 EG-FÖRSÄKRAN OM ÖVERENSSTÄMMELSE

Tillverkarens namn och adress:

Namn: Greenworks Tools Europe AB
Adress: Brunnenweg 17, 64331 Weiterstadt, Tyskland

Namn och adress till personen med behörighet att sammanställa den tekniska filen:

Namn: Ralf Pankalla
Adress: Brunnenweg 17, 64331 Weiterstadt, Tyskland

Härmed försäkras att produkten

Kategori: Zero-turn gräsklippare
Modell: 82ZT107
Serienummer: Se produktens typskylt
Tillverkningsår: Se produktens typskylt

- är i överensstämmelse med relevanta bestämmelser i Maskindirektivet 2006/42/EG.
- är i överensstämmelse med bestämmelserna i följande EG-direktiv:
 - 2014/30/EU
 - 2011/65/EU & 2015/863/EU

Dessutom försäkras vi att följande (delar/klausuler av) europeiska harmoniserade standarder har använts:

- EN 62841-1, EN ISO 5395-1, EN ISO 5395-3, EN ISO 14982, IEC 62321-3-1, IEC 62321-4, IEC 62321-5, IEC 62321-6, IEC 62321-7-1, IEC 62321-7-2, IEC 62321-8

Ort, datum: 11.11.2022

Signatur: Ted Qu, Kvalitetschef

Ted Qu

1	Beskrivelse.....	277	7.3	Smøring.....	294
1.1	Oversikt.....	277	7.4	Dreiemomentverdier.....	294
1.2	Kontrollpanel.....	277	7.5	Vedlikehold av batteripakken.....	295
2	Pakk ut maskinen.....	277	7.6	Vedlikehold av batteriromfilter.....	295
3	Installasjon.....	278	7.7	Service.....	295
3.1	Monter setet.....	278	8	Transport og oppbevaring.....	296
3.2	Installer biodekket.....	278	8.1	Transport.....	296
3.3	Installer styrekontrollspaken.....	278	8.2	Rengjøring og oppbevaring.....	297
3.4	Nøytral bypass-knapp.....	279	9	Feilsøking.....	299
3.5	Anti-skalperingshjul.....	279	10	Tekniske data.....	301
4	Bruksanvisning.....	279	11	Begrenset garanti.....	301
4.1	Før drift.....	279	11.1	Hva dekkes av denne garantien.....	301
4.2	Betjen maskinen.....	281	11.2	Hvem skal utføre garantiservicen.....	302
5	Elektrisk system.....	285	11.3	Hva dekkes ikke av denne garantien.....	302
5.1	Elektrisk systemsikkerhet.....	285	11.4	Fraskrivelse av garanti.....	303
5.2	Informasjon om elektrisk system.....	286	11.5	Begrensning av rettsmidler.....	303
5.3	Digital skjerm.....	286	11.6	Tidsbegrensning.....	303
6	Feil.....	286	11.7	Ingen andre garantier.....	303
6.1	Feilkode.....	288	11.8	Eiers ansvar.....	303
7	Vedlikehold.....	293	11.9	Allokering av risiko.....	303
7.1	Vedlikehold av klippeblad.....	293	11.10	Garantiregistrering.....	303
7.2	Dekk.....	294	12	EF-samsvarserklæring.....	304

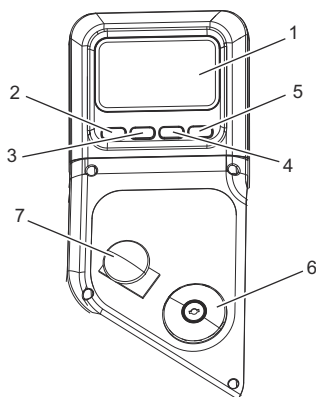
1 BESKRIVELSE

1.1 OVERSIKT

Se eget figurark 1-19

1 Styrespaker	19 Nøytral bypass-knapp
2 Setejusteringsspak	20 Serienummer
3 Frontlykt	21 Sammenkoblingskode
4 Forhjul	22 QR-kode
5 Utkast	23 Batterirom
6 Drivhjul	24 Batteri
7 Kontrollpanel	25 Batterilåsehake
8 USB-port	26 Slå AV
9 Koppholder	27 Slå PÅ
10 Dekk	28 Startnøkkelhull
11 Anti-skalperingshjul	29 Bolt
12 Dekkhøydejusteringsspak	30 Skive
13 Setepanel	31 Knivblad
14 Seteplugg	32 Hageslange
15 Biodekke	33 Hurtigkobling
16 Lagerring	34 Skiveport
17 Fikseringsklemmer	35 Oljeavløp
18 Monteringsstang	36 Oljelinjål

1.2 KONTROLLPANEL



#	Navn	Funksjon
1	Digital skjerm	Denne skjermen viser viktig informasjon om det elektriske systemet. Se avsnittet Elektrisk for fullstendig informasjon.
2	Hastighetsskontroll / retur for knivbladmotor	Juster bladhastigheten (syklisk) når den er på hjemmesiden. Trykk på knappen for å gå tilbake til forrige side.
3	Menynavigering / side opp	Bla til siste side på den digitale skjermen. Tilbake til startskjermen.
4	Lampebryter / side ned	Slå på/av lampene når de er på hjemmesiden. Bla til neste side på den digitale skjermen.
5	Kjørehastighetsskontroll / bekreft	Juster kjørehastigheten (syklisk) når den er på hjemmesiden. Trykk på knappen for å bekrefte.
6	Strømbryter	Bryteren brukes til å slå gressklipperen av og på.
7	Av/på-bryter for dekkknivblader (PTO)	Denne bryteren aktiverer knivbladmotorene. Trekk bryteren opp for å koble inn og trykk bryteren ned for å koble fra motorene.

i VIKTIG

Koble aldri til knivbladmotorer når dekket er under belastning. Motorer eller dekk kan bli skadet.

NO

2 PAKK UT MASKINEN

▲ ADVARSEL

Sørg for at maskinen monteres korrekt før du benytter den.

▲ ADVARSEL

- Du må ikke bruke maskinen hvis noen deler av maskinen er defekte.
- Hvis deler mangler, ikke bruk maskinen.
- Hvis deler er skadet eller mangler, kontakt servicesenteret.

1. Åpne pakken.
2. Les dokumentasjonen i esken som medfølger.
3. Ta alle de umonterte delene ut av esken.
4. Ta maskinen ut av esken.
5. Kast esken og emballasjemateriale i henhold til lokale lover og regler.

▲ ADVARSEL

For din personlige sikkerhet, ikke sett inn batteriet før verktøyet er satt sammen fullstendig.

3 INSTALLASJON

3.1 MONTER SETET

Se figur 3

1. Plasser seteenheden over setepanelet og juster hullene som vist.
2. Installer boltene, skivene og mutrene og stram godt til.
3. Fest ermene til mutterne.
4. Sørg for at den sitter godt fast.
5. Koble setepluggen til maskinen.

3.2 INSTALLER BIODEKKET

Se figur 4

Gressklipperen er konfigurert for sideutladning når den sendes. Hvis mulching er ønsket:

1. Plasser biodekket på tappen på gressklipperhuset.
2. Juster hullene i biodekket og hullene i gressklipperhuset.
3. Monter og stram boltene, skruene, festeklemmene og lagerringen som vist.

3.3 INSTALLER STYREKONTROLLSPAKEN

Se figur 5-6

▲ ADVARSEL

Venstre og høyre styrespak bør justeres slik at de er på linje med hverandre når de er i nøytral stilling. Installer ALDRI styrespakene i en asymmetrisk driftshøyde.

1. Løft en styrespak for å justere hullene i spaken med hullene i den tilsvarende monteringsstangen.
2. Velg ønsket driftshøyde for styringsspaken. Sett skruen sammen med skiven inn i hullet.
3. Bruk skiftenøkkelen (13*16 mm) for å feste styrespaken.
4. Monter den andre styrespaken på samme måte.

▲ FORSIKTIG

Ikke installer styrespaken omvendt.

3.3.1 STYRESPAKER

De to spakene kontrollerer klipperens hastighet, retning, stopp, nøytrallås og parkeringsbrems. Spaker brukes til å styre, akselerere, bremse, stoppe og endre retning. Når kontrollspakene er i parkeringsbremseposisjon, vil ikke klipperen bevege seg.

i MERK

Kjør alltid med begge hender. Ikke kjør med bare én hånd.

3.3.2 BRUK APPEN

Se figur 9-10

1. Besøk Flåtestyring-nettstedet: fleet.cramertools.com
2. Opprett en konto og logg deretter inn.
3. Inviter andre brukere i organisasjonen.
4. Skann QR-koden, last ned appen og logg inn.
5. Legg til en enhet. Finn serienummeret, paringskoden og QR-koden i kjøretøyets samsvarende etikett. Skann QR-koden eller skriv den inn manuelt.

3.4 NØYTRAL BYPASS-KNAPP

Se figur 7-8

1. Trekk de nøytrale bypass-knappene utover og deretter nedover for å låse opp hjulet.
2. Flytt de nøytrale bypass-knappene tilbake på plass for å låse hjulene.

▲ ADVARSEL

Kjør aldri klipperen mens den nøytrale bypass-knappen virker. Installer alltid den nøytrale bypass-knappen til den opprinnelige posisjonen før du kjører! Unnlattelse av å installere knotten på nytt kan forårsake alvorlig skade på klipperen og ugyldiggjøre klipperens garanti!

▲ ADVARSEL

Lås aldri opp den nøytrale bypass-knappen når maskinen arbeider i skråningen!

3.5 ANTI-SKALPERINGSHJUL

Se figur 2

Anti-skalperingshjulsett er standard på Cramer enheter. Disse anti-skalperingshjulene er designet for å minimere skalpering når du klipper i røft, ujevnt terreng. Etter å ha stilt inn klippehøyden, juster antiskalperingshjulene slik at de strekker seg under dekket, men ikke kommer i kontakt med bakken. De bør alltid være minst 0,6 cm til 1,9 cm under dekk. Med enheten sittende på et flatt underlag, kan hjulposisjonen justeres opp eller ned etter behov fra 1,9 cm til 4,4 cm under knivbladoverflaten. Flytt hjulene opp eller ned – bruk de forskjellige akselmonteringshullene i hjulfestebraketten (hvis aktuelt på modellen).

4 BRUKSANVISNING

4.1 FØR DRIFT

4.1.1 JUSTER SETET

Se figur 11

▲ ADVARSEL

Sørg for at setepannen er godt boltet fast før hver bruk for å forhindre at setet beveger seg/vipper i tilfelle klipperen tipper eller veltet.

1. Skyv styrespakene utover til PARKERINGSBREMS-posisjonen før du justerer setet.
2. Sett deg ned på setet og løft setejusteringsspaken.
3. Mens du holder spaken, skyv setet til ønsket posisjon.
4. Slipp spaken og sørg for at setet er låst på plass før du bruker klipperen.

▲ ADVARSEL

Forsikre deg om at setet er låst på plass før du bruker klipperen. Et sete som ikke er sikret, kan føre til at operatøren glir og mister kontrollen over gressklipperen, og kan føre til mulig død eller alvorlig personskade.

4.1.2 JUSTER KLIPPEHØYDEN PÅ DEKKET

Se figur 12

Før du bruker klipperen må du heve klippeaggregatets høyde til den klippeposisjonen som passer best for plenen din.

Dekkhøyden er justerbar fra 3.81-11.4 cm. Dekket bør heves mens klippingen pågår for å unngå stubber, steiner eller andre hindringer som kan skade klippedekket.

▲ FORSIKTIG

Hold dekkets høydejusteringsspak fast når du stiller inn dekkhøyden, og slipp den bare når den er sikret i ønsket spor. Hvis du slipper spaken raskt, kan det oppstå en fare for klemming eller trekking av operatørens hånd.

1. Stopp klipperen og løsne knivene.
2. Vri nøkkelen til AV-posisjon og aktiver parkeringsbremsen.
3. For å heve klippedekket, ta tak i høydejusteringsspaken, skyv til venstre for å koble fra sporet, beveg deg mot baksiden av klipperen, og skyv deretter rett inn i sporet for å sikre.
4. For å senke klippedekket, ta tak i høydejusteringsspaken, skyv til venstre for å koble fra sporet, flytt mot fronten av klipperen, og skyv deretter rett inn i sporet for å sikre.

4.1.3 JUSTER STYREKONTROLLSPAKEN

Styrespakene kan justeres for førerkomfort. Ved å løsne hodeskruene som fester den øvre kontrollspaken til den nedre spaken, kan den øvre kontrollspaken svinges for å passe operatørens personlige preferanser. Styrespakene bør justeres slik at de er på linje med hverandre når de er i nøytral stilling.

4.1.4 INSTALLERING AV BATTERIPAKKEN

Se figur 13

For å kontrollere at gressklipperbatteriene er fulladet, sjekk batterinivåindikatoren. Se batterihåndboken for mer informasjon.

1. Løft setepanelet.
2. Løft dekselet til batterirommet.
3. Sett batteripakken inn i batterirommet.

▲ ADVARSEL

Juster ribben på batteriet i forhold til batteriporten. Forsikre deg om at batterilåsen klikker jevnt inn i batterirommet.

4.1.5 FØR DU BRUKER MASKINEN

- Sørg for at arbeidsområdet er fritt for barn, tilskuere og kjæledyr.
- Fjern arbeidsområdet for gjenstander som kan kastes av gressklipperbladene.
- Sjekk bremsedriften.
- Sjekk dekktrykket.
- Se etter løse festemidler.
- Kontroller at alt av vern er på plass og fungerer som det skal.
- Rengjør rusk fra gressklipperen.
- Test sikkerhetssperresystemet.
- Juster setet til ønsket posisjon.
- Kontroller batteriets ladenivå.

4.1.6 SIKKERHETSSTARTSPERRESYSTEM

Maskinen er utstyrt med et sikkerhetsstartsperrsystem som består av parkeringsbremsbrytere, operatørlistedeværingsbryter og PA- og AV-bryter for dekkbladene.

Gressklipperens sikkerhetsstartsperrsystem er også utformet for å beskytte operatøren og andre mot utilsiktet skade på grunn av utilsiktet start av trekkdirvsystemet.

Kontroller klipperens sikkerhetsstartsperrsystem daglig før bruk. Dette systemet er en viktig sikkerhetsfunksjon for klipperen. Den bør repareres umiddelbart hvis den ikke fungerer. Maskinen har en separat operatørtilstedeværelsesbryter som vil stoppe drivsystemet og dekkmotorene når operatøren ikke er på plass av en eller annen grunn mens klipperen er i drift. Dette er en sikkerhetsfunksjon designet for å forhindre løping eller utilsiktet sammenfiltring.

▲ ADVARSEL

Sikkerhetssperresystemet må ikke kobles fra eller omgås. Hvis du gjør det, kan det føre til at maskinen fungerer uventet, noe som kan føre til personskade.

For å inspisere systemet:

1. Operatøren må være på setet når du tester operatørtilstedeværelsesbryteren.
2. Vri nøkkelen for å starte maskinen.
3. Trekk styrespakene til parkeringssporene.
4. Trekk PTO-bryteren for å koble inn motoren.
5. Hev deg sakte av setet. Dekkbladsystemet skal stoppe.
6. Hvis dekkbladsystemet ikke stopper når operatøren er slått av fra setet, og hvis årsaken ikke kan fastslås, kontakt Cramer forhandleren umiddelbart.

4.2 BETJEN MASKINEN

4.2.1 START MASKINEN

Se figur 14

i MERK

Sørg for at det ikke er andre i området før bruk. Hvis noen kommer inn i klippeområdet, må du stoppe umiddelbart og ikke fortsette med klippingen før vedkommende forlater området.

1. Løft klippedekket til den høyeste posisjonen.
2. Sett inn starttasten og vri til PÅ-posisjon.
3. Trekk høyre og venstre styrespaker innover.
4. Trekk opp på dekkets PTO-bryter for å starte knivbladene for klipping.

i MERK

Bare ta i bruk knivbladene når styrespakene er i NØYTRAL posisjon! ALDRI koble til kniver når du beveger deg!

5. Plasser styrespakene i fremre (D) posisjon og kjør til ønsket klippested.

i MERK

Vær forsiktig når du krysser grusstier eller innkjørsler. Før du krysser, koble fra bladene og løft klippedekket til den høyeste posisjonen for å minimere muligheten for rikosjett. Kjør sakte for å unngå tap av trekkraft og kontroll.

i MERK

Ikke prøv å endre driftsretningen mens gressklipperen er i bevegelse. Stopp alltid helt før du endrer retningen på klipperen.

i MERK

Styrekontrollspaker vil hoppe tilbake til nøytral stilling hvis du slipper dem, men du må fortsatt kontrollere dem manuelt for å nå nøytral posisjon.

4.2.2 KJØR MASKINEN

Etter å ha startet trekkdrivsystemet, kobler du inn styrekontrollspakene og styr som følger:

NO

▲ ADVARSEL

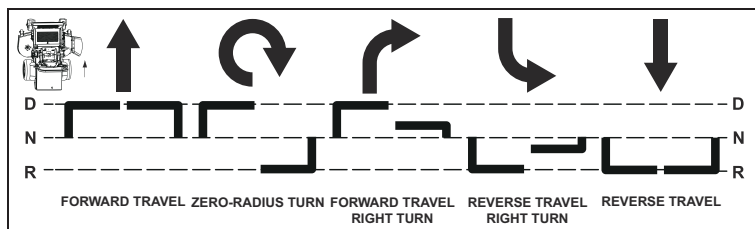
Vær alltid oppmerksom på hva som er bak maskinen før du rygger. Ikke klipp i revers med mindre det er absolutt nødvendig. Se alltid ned og bak før og mens du rygger.

▲ ADVARSEL

Rask bevegelse av styrespakene anbefales ikke, da det kan oppstå skade på de elektriske systemkomponentene.

- **For å gå fremover**, skyver du styrespakene like langt fremover.
- **For å gå i revers**, drar du styrespakene bakover en lik avstand.
- **For å svinge til venstre**, flytter du høyre styrekontrollspak lenger fremover fra nøytral enn venstre styrekontrollspak.
- **For å svinge til høyre**, flytter du høyre styrekontrollspak lenger fremover fra nøytral enn høyre styrekontrollspak.
- **For å utføre en null-radius sving**, flytter du den ene styrespaken fremover og den andre styrespaken bakover. Dette vil tillate drivhjulene å rotere mot hverandre.
- **For å stoppe eller redusere hastigheten**, flytter du styrespakene til nøytral. Når du går fremover, drar du styrespakene forsiktig bakover. Når du går i revers, skyver du forsiktig frem på styrekontrollspakene.
- **For en nødstop**, er det to metoder som kan brukes:
 - Når du kjører fremover eller bakover, plasser styrespakene i parkbremsstilling umiddelbart. Når du beveger deg bakover, skyv styrespakene forsiktig fremover og unngå brå bevegelse. Enhver plutselig bevegelse kan føre til at fronten på gressklipperen kommer av bakken, noe som resulterer i mulig tap av kontroll, og dermed forårsake alvorlig personskade eller død.
 - Drei startnøkkelen til AV-posisjon. Dette vil slå av trekkdrivsystemet og dekkdrevet.
- **For å gjøre en trepunkts sving til høyre**, flytt venstre styrekontrollspak lenger fremover fra nøytral enn høyre styrekontrollspak og start svingen. Deretter drar du tilbake på styrekontrollspakene til de er forbi nøytral og maskinen begynner å gå bakover. Trekk høyre styrekontrollspak lenger bakover fra nøytral enn venstre styrekontrollspak til baksiden av maskinen har svingt rundt. Skyv deretter styrekontrollspakene forover til de begge er forbi nøytral og maskinen begynner å gå fremover. Skyv venstre styrekontrollspak lenger fremover fra nøytral enn høyre styrekontrollspak og fullfør svingen.
- **For å øke hastigheten**, øker du avstanden til styrespaken fra nøytral. Jo lenger frem styrekontrollspakene er fra nøytral, desto raskere kjører maskinen fremover. Jo lenger bak styrekontrollspakene er fra nøytral, jo raskere vil maskinen gå i revers.

KLIPPERENS FORSIDE VENDER I DENNE RETNINGEN



N = NØYTRAL POSISJON

D = KJØR-POSISJON

R = REVERS-POSISJON

Pilenes retning indikerer retningen til klipperens bevegelse



Venstre styrekontrollspak

Høyre styrekontrollspak

4.2.3 STOPP MASKINEN

▲ FARE

Foreta aldri bråstopp eller snu retningen, spesielt når du manøvrerer i en skråning. Styringen er designet for sensitiv respons. Rask bevegelse av styrekontrollspakene i begge retninger kan resultere i en reaksjon fra maskinen som kan forårsake alvorlig skade.

1. Sett kjørekontrollspakene tilbake til nøytral posisjon. Skyv kjørekontrollspakene utover til parkeringsbremsposisjon.
2. Skyv ned dekkbladens PÅ/AV-bryter (PTO) for å slå av bladene.
3. Roter nøkkelen i strømbryteren til AV-posisjonen.

▲ FORSIKTIG

Det anbefales å fjerne startnøkkelen fra maskinen for å forhindre feilstart av maskinen.

4.2.4 BRUK AV USB-PORTEN

Se figur 15

USB-ladeporten gir ladeeffekt på 5 volt DC ved opptil 2,1 ampere for mobiltelefonen, MP3-spilleren eller andre USB-enheter. Se brukerhåndboken til enheten din for spesifikke ladekrav.

Koble den ene enden av en USB-kabel (følger ikke med) til enheten og den andre enden til USB-ladeporten på gressklipperen for å begynne å lade enheten.

i MERK

Forsøk på å lade enheter med en verdi på mer enn 2,1 ampere kan skade USB-ladeporten og/eller gressklipperen.

i MERK

USB-porten får bare strøm når maskinen starter.

▲ ADVARSEL

Bruk aldri hodetelefoner eller elektroniske enheter, for eksempel en smarttelefon eller et nettbrett, mens du bruker klipperen. Distraksjoner ved drift kan føre til en ulykke som kan lede til død eller alvorlig personskade på operatøren eller personer i nærheten.

4.2.5 DRIFTSFORSLAG

▲ FARE

Før bruk bør operatøren være grundig kjent med riktig bruk og drift av utstyret, bør lese håndboken fullstendig og grundig, og bør ha forsøkt saktegående manøvrer for å bli kjent med bruken av utstyret før han forsøker normal hastighet. En uerfaren operatør bør ikke klippe i skråninger eller i ujevnt terreng.

▲ ADVARSEL

Hvis du mister styrekontrollen mens du bruker maskinen, plasser styrespakene i parkeringsbremsposisjon umiddelbart og vri nøkkelen til AV-posisjon. Inspiser maskinen og ta kontakt med Cramer forhandleren for å løse problemet før du fortsetter driften.

▲ ADVARSEL

Enhetens styrekontrollspaker er svært responsive. For jevn drift, flytt spakene sakte, unngå brå bevegelser. Ferdighet og enkel betjening kommer med øvelse og erfaring. Maskinen kan snurre veldig raskt. Vær forsiktig når du svinger og sett ned farten før du gjør skarpe svinger.

Uerfarne operatører kan ha en tendens til å overstyre og miste kontrollen. Saktegående øvelsesmanøvrer anbefales for å bli kjent med disse egenskapene før du prøver normal hastighet.

▲ ADVARSEL

Skarpe fordypninger eller hevede hindringer (som takrenner eller fortauskanter) bør ikke nærmes direkte i høy hastighet i et forsøk på å "hoppe" dem, da operatøren kan bli kastet ut av utstyret. Nærme deg med lav hastighet og vinkle ett drivhjul mot hindringen. Fortsett i vinkel til hjulet blir fri, og drei deretter det motsatte hjulet rundt.

Når du slår på mykt eller vått gress, la begge hjulene rulle enten forover eller bakover. Svinging på ett stoppet hjul kan skade torv. Hold knivene skarpe. Mange problemer med feil skjæremønster skyldes sløve kniver eller kniver som er slipt feil. Bladets skarphet bør kontrolleres daglig.

▲ FARE

Arbeid aldri med knivblader mens nøkkelen er i tenningsbryteren. Plasser alltid dekkbladene PÅ/AV-bryter (PTO) i frakoblet stilling, plasser styrespakene i parkeringsbrems-posisjon og vri nøkkelen til AV-posisjon og fjern nøkkelen fra bryteren. Blokker klipperen når du må jobbe under den. Bruk hansker når du håndterer kniver. Sjekk alltid for knivskader hvis klipperen treffer en stein, gren eller andre fremmedlegemer under klippingen.

- **Retts gressutslipp til høyre**, vekk fra uklippet område. Velg et klippemønster som leder gressutslippet mot utsiden av klippeområdet. Generelt betyr dette å bruke et mønster som bruker venstresvinger fordi sideutkastet er til høyre. I alle fall, unngå å kaste gressutslipp på uklippet område fordi gresset deretter klippes "to ganger". Å klippe to ganger gir en unødvendig belastning på enheten og reduserer klippeeffektiviteten.
- **Når du klipper en plen for første gang**, klipp gresset litt lenger enn normalt for å unngå skalpering av ujevn terreng. Når det er mulig, er det best å bruke klippehøyden som ble brukt tidligere. Når du klipper gress høyere enn 152 mm (6"), kan det være lurt å klippe plenen to ganger for å oppnå en bedre klippekvalitet.
- **Ved normal klipping**, klipp bare rundt 38 mm (1,5 tommer) av gressbladene. Det anbefales ikke å klippe mer enn det med mindre gresset er sparsomt eller det er slutten av klippesesongen.
- **Alternativt klippemønster mellom klippene** for å holde gresset rett og bedre spredning av klippet.
- **Husk at gresset vokser i forskjellige hastigheter** ved forskjellige årstider. Klipp oftere tidlig på våren for å opprettholde samme klippehøyde. Ettersom veksthastigheten avtar midt på sommeren, klipp sjeldnere. Hvis du ikke kan klippe med jevne mellomrom, må du først klippe med høy klippehøyde, og deretter klippe igjen to dager senere med lavere klippehøyde.
- **Høy klippehøyden på klipperen** hvis klippebredden på klipperen er bredere enn den forrige klipperen. Dette sikrer at ujevn gress ikke klippes for kort.
- **Høy klippehøyden på klipperen** hvis gresset hvis litt høyere enn normalt, eller hvis det inneholder en høy grad av fuktighet. Klipp den deretter igjen med klippehøyden satt lavere.
- **Hvis maskinens bevegelse fremover må stoppes** mens du klipper, kan en klump av gressklipp falle ned på plenen din. For å unngå dette, flytt til et tidligere kuttet område med knivene i inngrep.
- **Lad batteriet umiddelbart** hvis batteristrømmen til maskinen er lavere enn 5 %.

Modell nr.	Batterikapasitet	Handling	Batterikapasitet	Handling
82ZT107	≤5%	Maksimal kjørehastighet vil være 6.4 km/t.	≤5%	Arbeidsbladet stopper automatisk. Enheten skal umiddelbart returneres til batteriladeområdet og enheten kobles til batteriladeren.

- **La motorene kjøle seg ned i 30 minutter.** Hvis drivmotoren overskrider programmert temperatur, vil motorhastigheten reduseres. Hvis temperaturen fortsetter å øke, vil stasjonen slås av ved en høyere programmert temperatur.

4.2.6 SKRÅNINGSOPERASJON

Se figur 16

Bakker er en viktig faktor knyttet til tap av kontroll og velteulykker, som kan resultere i alvorlige skader eller død. Drift i alle bakker krever ekstra forsiktighet. Hvis du ikke kan rygge opp skråningen eller hvis du føler deg urolig på den, ikke klipp den.

- Reis i produsentens anbefalte retning i skråninger. Vær forsiktig ved drift i nærheten av nedoverbakker.

- Ikke bruk maskinen i noen situasjon hvor du er usikker på trekkraften, styringen eller stabiliteten. Dekkene kan gli selv om hjulene stoppes.
- Hold alltid maskinen i gir når du går ned bakker. Ikke driv i nedoverbakker.
- Vær ekstremt forsiktig når du kjører i skråninger.
- Ikke fjern eller modifierer noen hjul.
- Se etter hull, hjulspor, støt, steiner eller andre skjulte gjenstander. Ujevnt terreng kan velte maskinen. Høyt gress kan skjule hindringer.
- Fjern hindringer som steiner, trelemmer, søppel osv.
- Hold all bevegelse i bakker sakte og gradvis. Ikke gjør plutselige endringer i hastighet eller retning.
- Unngå å starte og stoppe i en skråning. Hvis dekkene mister veigrepet, koble fra knivene og fortsett sakte rett nedover skråningen.
- Klipp en sikker avstand (minimum 10 fot eller 3 meter) unna fall, støttemurer, dreneringsgrøfter, voller, vann og andre typer farer for å unngå at et hjul faller ut over kanten eller at bakken bryter bort. Dette vil redusere risikoen for at maskinen plutselig velter, noe som kan føre til enten alvorlig skade eller død.
- Bruk en manuell klipper, skyveklipper eller håndholdt klipper i skråninger og nær nedoverbakker, støttemurer, dreneringsgrøfter, voller og vann.
- Ikke klipp på vått gress. Redusert trekkraft kan føre til glidning og tap av styringskontroll.
- Ikke taue i skråninger. Vekten av det slepede utstyret kan føre til tap av veigrep og kontroll.
- Hvis klipperens dekk mister veigrepet når du kjører i skråninger, koble fra dekkdrevet, sett styrekontrollspakene i parkeringsbrems-posisjon, vri startnøkkelen til AV-posisjon, ta ut nøkkelen og få hjelp.
- Foreta aldri brå start, stopp, svinger eller reverser retning, spesielt når du manøvrerer i bakker. Styringen er designet for sensitiv respons. Rask bevegelse av styrekontrollspakene i begge retninger kan resultere i en reaksjon fra maskinen som kan forårsake alvorlig skade.
- Stopp aldri plutselig mens du rygger ned bakker. Denne handlingen kan resultere i en reaksjon fra maskinen som kan forårsake alvorlig fysisk skade.
- Gressklipperen Cramer er i stand til å kjøre horisontalt (travers) i moderate skråninger. Når du kjører i skråninger på opptil 15 grader, vær oppmerksom på forhold som kan føre til at klipperens drivdekk mister veigrepet, noe som resulterer i mulig tap av kontroll over maskinen. En operatør bør ikke operere i en skråning før han er godt kjent med utstyret.

Ikke bruk i skråninger som er større enn 15 grader.

Se Skråning-veiledningen når du bestemmer graden av skråning som skal klippes. Det anbefales på det sterkeste at operatøren kjører maskinen ut av skråningen, med ekstrem forsiktighet, hvis det oppdages tegn på tap av trekkraft. Vent til tilstanden som forårsaket problemet er løst før du prøver å kjøre i skråningen igjen. Terrengforhold kan påvirke trekkraften, noe som resulterer i mulig tap av kontroll over maskinen. Noen av betingelsene du bør være klar over er:

1. Vått terreng
2. Depresjoner i bakken (for eksempel hull, hjulspor, utvaskinger)
3. Hauger av smuss
4. Visse typer jord (f.eks sand, løs smuss, grus, leire)
5. Gresstype, tetthet og høyde
6. Ekstremt tørre forhold
7. Dekktrykk

Vedleggene montert på klipperen vil også påvirke måten den kjører på en skråning. Vær oppmerksom på at egenskapene til hvert vedlegg varierer.

Dette er bare noen få eksempler på situasjoner der det må utvises forsiktighet når du kjører i en skråning. Det er mange andre muligheter for mange til å nevne. Husk å alltid utvise ekstrem forsiktighet når du kjører i alle skråninger.

5 ELEKTRISK SYSTEM

5.1 ELEKTRISK SYSTEMSIKKERHET

- Ta ut nøkkelen og batteriene, og les brukerhåndboken før du justerer eller reparerer enheten.

- Ta alltid ut nøkkelen og batteriene før du arbeider på denne enheten.
- Ta alltid ut nøkkel og batterier når du transporterer enheten.
- Hold enheten fri for gress, løv og annet rusk. IKKE spray med vann for å rengjøre enheten. Bruk kun trykkluft. Bruk tilstrekkelig øye- og hørselsvern når du rengjør enheten.
- Bruk alltid vernebriller og verneutstyr i nærheten av batteriet. Bruk isolert verktøy.
- Rengjør batterirommet, drivmotorrommet, klippeaggregatet, setet osv. for alt skitt og rusk. Ikke bruk løsemidler, harde rengjøringsmidler eller slipemidler.
- Med nøkkel i PÅ-posisjon kan gressklipperbladet aktiveres når dekkbladenes PÅ/AV-bryter (PTO) er koblet til, selv om drivmotoren ikke svinger. Hold andre personer unna området når du kobler til PÅ/AV-bryteren for dekkbladet.
- Alle vedlikeholds- og lagringsområder bør ventileres godt i samsvar med gjeldende brannforskrifter og forskrifter for å unngå brannfare.
- Tillat aldri flammer, gnister eller røyking i nærheten av batterier.
- Oppbevar batterier utilgjengelig for barn.
- Hold alltid beskyttelsesskjold, deksler og vern på plass og godt festet. Hvis de blir skadet, reparer eller skift ut umiddelbart. Aldri modifierer eller fjern sikkerhetsinnretninger.

5.2 INFORMASJON OM ELEKTRISK SYSTEM

Gressklipperen Cramer drives av et 82-volts elektrisk system. Den består av følgende komponenter:

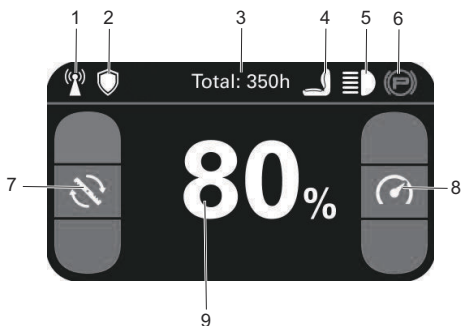
1. Knivbladkontroll (1)
2. Bladmotor (2)
3. Drivkontroll (1)
4. Akselerator – høyre (1)
5. Akselerator – venstre (2)
6. Digital skjerm (1)
7. Hjulmotor (2)
8. Batteripakke (1)

6 FEIL

CANBUS-systemet vil iverksette tiltak for å beskytte brukeren og maskinen når det oppdager et problem. Når det fungerer for å slå av maskinen eller en komponent, vil det indikere at det har oppstått en feil, og at feilen vises på den digitale skjermen. Alle elektriske feil har en bokstavkode etterfulgt av et tall. Den første bokstaven beskriver systemet som forårsaket feilen i henhold til dette diagrammet:

5.3 DIGITAL SKJERM

Funksjonen til det digitale displayet, plassert på kontrollpanelet, er å gi elektrisk systeminformasjon til operatøren. Den gir detaljert informasjon i form av mønstre, koder og nummer.



#	Navn	Funksjon
1		4G GPS-signal
2		GreenShield
3	Totalt: 350 t	Kjøretøyets arbeidstid
4		Setebryteren er lukket.
5		LED-lys
6		Parkeringsbremsen er aktivert.
7		Hastighet til knivblad
8		Kjørehastighet
9	80 %	Batteriprosent

Norsk

Navn	Mening
TR	Høyre førerkontroll og -motor
TL	Venstre førerkontroll og -motor
PMU	Strømstyringsenhet (i batterikabinen)
ML	Venstre bladmotorkontroll
MR	Høyre bladmotorkontroll

NO

6.1 FEILKODE

Feilkode	Beskrivelse	Løsning
TR1	Motorposisjonierungsfeil	Start strømforsyningen på nytt.
TR2	Drivmotoren stoppet	Sjekk om drivhjulene sitter fast og start strømforsyningen på nytt.
TR3	Motorbeskyttelse ved lav hastighet	Start strømforsyningen på nytt.
TR4	Motorbeskyttelse ved høy hastighet	Start strømforsyningen på nytt.
TR5	Feil på motorhall-sensor	Kontroller at Hall-effektkontakten på Kjøre-kontrollen er riktig tilkoblet, og start deretter strømforsyningen på nytt.
TR6	Tap av kontrollfase	Kontroller at motorkablene til Kjøre-kontrollen er riktig tilkoblet, og start deretter strømforsyningen på nytt.
TR7	Åpen krets-feil i MOSFET	Hvis du støter på dette problemet, kan du kontakte distributøren for å få en løsning.
TR8	Underspenning for kontroll	Spenningen er for lav. Lad opp batteripakken før bruk.
TR9	Overspenning for kontroll	Spenningen er for høy. Start strømforsyningen på nytt.
TR10	Lav temperatur i batteri	Temperaturen på batterirommet og batteriet er for lav. Bruk maskinen ved passende temperatur og start strømforsyningen på nytt.
TR11	PMU overtemperatur Høy batteritemperatur	Temperaturen på batterirommet og batteriet er for høy. Vent til batteriet er avkjølt, og start deretter strømforsyningen på nytt.
TR12	Overtemperatur i motor	Motortemperaturen er for høy. Vent til motoren er avkjølt, og start deretter strømforsyningen på nytt.
TR13	Overtemperatur i kontroll	Kontrollertemperaturen er for høy. Vent til kontrollen er avkjølt, og start deretter strømforsyningen på nytt.
TR14	Overstrøm i programvare	Lasten er for høy. Start strømforsyningen på nytt.
TR15	Overstrøm i maskinvare	Lasten er for høy. Start strømforsyningen på nytt.
TR16	Feil i hastighetskontroll	Kontroller at hastighetskontrollen på håndtaket er riktig tilkoblet, og start deretter strømforsyningen på nytt.
TR17	Feil før lading av kontrollen	Start strømforsyningen på nytt.
TR18	Bremsefeil	Start strømforsyningen på nytt.
TR19	Feil i driftssekvens	Plasser venstre og høyre håndtak i parkeringsstilling, og bladstartbryteren i AV-stilling. Sitt i setet og prøv igjen.
TR20	Vinkelsensorfeil	Start strømforsyningen på nytt.
TR21	Reléfeil	Start strømforsyningen på nytt.
TR22	Feil i magnetisk ventil	Kontroller at magnetventilen til drivmotoren er riktig tilkoblet, og start deretter strømforsyningen på nytt.
TR23	Kommunikasjonsfeil i batterirommet (PMU)	Kommunikasjonsfeil med batterirommet. Start strømforsyningen på nytt.
TR24	Feil i batterirommet (PMU)	Mindre/større feil i batterirommet. Utfør en sjekk og start strømforsyningen på nytt.
TR25	CAN-tidsavbruddsfeil – venstre driv	Kommunikasjonsfeil med venstre drivkontroll. Start strømforsyningen på nytt.
TR26	CAN-tidsavbruddsfeil – høyre driv	Kommunikasjonsfeil med høyre drivkontroll. Start strømforsyningen på nytt.

Feilkode	Beskrivelse	Løsning
TR27	CAN-tidsavbruddsfeil – venstre knivblad	Kommunikasjonsfeil med venstre bladkontroll. Start strømforsyningen på nytt.
TR28	CAN-tidsavbruddsfeil – midtre knivblad	Kommunikasjonsfeil med den midtre bladkontrolleren. Start strømforsyningen på nytt.
TR29	CAN-tidsavbruddsfeil – høyre knivblad	Kommunikasjonsfeil med høyre bladkontroll. Start strømforsyningen på nytt.
TR30	Feil på flippdekslet i batterirommet	Kontroller at kontakten under setet er riktig tilkoblet, og start deretter strømforsyningen på nytt.
TR31	Verifiseringsfeil i operatørtilstedeværelsebryteren	Kontroller at kontakten under setet er riktig tilkoblet, og start deretter strømforsyningen på nytt.
TR32	Programvareautentiseringsfeil	Start strømforsyningen på nytt.
TL1	Motorposisjoneringsfeil	Start strømforsyningen på nytt.
TL2	Drivmotoren stoppet	Sjekk om drivhjulene sitter fast og start strømforsyningen på nytt.
TL3	Motorbeskyttelse ved lav hastighet	Start strømforsyningen på nytt.
TL4	Motorbeskyttelse ved høy hastighet	Start strømforsyningen på nytt.
TL5	Feil på motorhall-sensor	Kontroller at Hall-effektkontakten på Kjøre-kontrollen er riktig tilkoblet, og start deretter strømforsyningen på nytt.
TL6	Tap av kontrollfase	Kontroller at motorkablene til Kjøre-kontrollen er riktig tilkoblet, og start deretter strømforsyningen på nytt.
TL7	Åpen krets-feil i MOSFET	Hvis du støter på dette problemet, kan du kontakte distributøren for å få en løsning.
TL8	Underspenning for kontroll	Spenningen er for lav. Lad opp batteripakken før bruk.
TL9	Overspenning for kontroll	Spenningen er for høy. Start strømforsyningen på nytt.
TL10	Lav temperatur i batteri	Temperaturen på batterirommet og batteriet er for lav. Bruk maskinen ved passende temperatur og start strømforsyningen på nytt.
TL11	PMU overtemperatur Høy batteritemperatur	Temperaturen på batterirommet og batteriet er for høy. Vent til batteriet er avkjølt, og start deretter strømforsyningen på nytt.
TL12	Overtemperatur i motor	Motortemperaturen er for høy. Vent til motoren er avkjølt, og start deretter strømforsyningen på nytt.
TL13	Overtemperatur i kontroll	Kontrollertemperaturen er for høy. Vent til kontrollen er avkjølt, og start deretter strømforsyningen på nytt.
TL14	Overstrøm i programvare	Lasten er for høy. Start strømforsyningen på nytt.
TL15	Overstrøm i maskinvare	Lasten er for høy. Start strømforsyningen på nytt.
TL16	Feil i hastighetskontroll	Kontroller at hastighetskontrollen på håndtaket er riktig tilkoblet, og start deretter strømforsyningen på nytt.
TL17	Feil før lading av kontrollen	Start strømforsyningen på nytt.
TL18	Bremsefeil	Start strømforsyningen på nytt.
TL19	Feil i driftssekvens	Plasser venstre og høyre håndtak i parkeringsstilling, og bladstartbryteren i AV-stilling. Sitt i setet og prøv igjen.
TL20	Vinkelsensorfeil	Start strømforsyningen på nytt.
TL21	Reléfeil	Start strømforsyningen på nytt.

Feilkode	Beskrivelse	Løsning
TL22	Feil i magnetisk ventil	Kontroller at magnetventilen til drivmotoren er riktig tilkoblet, og start deretter strømforsyningen på nytt.
TL23	Kommunikasjonsfeil i batterirommet (PMU)	Kommunikasjonsfeil med batterirommet. Start strømforsyningen på nytt.
TL24	Feil i batterirommet (PMU)	Mindre/større feil i batterirommet. Utfør en sjekk og start strømforsyningen på nytt.
TL25	CAN-tidsavbruddsfeil – venstre driv	Kommunikasjonsfeil med venstre drivkontroll. Start strømforsyningen på nytt.
TL26	CAN-tidsavbruddsfeil – høyre driv	Kommunikasjonsfeil med høyre drivkontroll. Start strømforsyningen på nytt.
TL27	CAN-tidsavbruddsfeil – venstre knivblad	Kommunikasjonsfeil med venstre bladkontroll. Start strømforsyningen på nytt.
TL28	CAN-tidsavbruddsfeil – midtre knivblad	Kommunikasjonsfeil med den midtre bladkontrolleren. Start strømforsyningen på nytt.
TL29	CAN-tidsavbruddsfeil – høyre knivblad	Kommunikasjonsfeil med høyre bladkontroll. Start strømforsyningen på nytt.
TL30	Feil på flippdekslet i batterirommet	Kontroller at kontakten under setet er riktig tilkoblet, og start deretter strømforsyningen på nytt.
TL31	Verifiseringsfeil i setebytter	Kontroller at kontakten under setet er riktig tilkoblet, og start deretter strømforsyningen på nytt.
TL32	Programvareautentiseringsfeil	Start strømforsyningen på nytt.
ML1	Motorposisjoneringsfeil	Start strømforsyningen på nytt.
ML2	Bladmotor stoppet	Kontroller klippelasten og sett bladstartbryteren tilbake til startposisjonen.
ML3	Motorbeskyttelse ved lav hastighet	Start strømforsyningen på nytt.
ML4	Motorbeskyttelse ved høy hastighet	Start strømforsyningen på nytt.
ML5	Feil på motorhall-sensor	Kontroller at Hall-effektkontakten på bladkontrollen er riktig tilkoblet, og start deretter strømforsyningen på nytt.
ML6	Tap av kontrollfase	Kontroller at motorkablene til Kjøre-kontrollen er riktig tilkoblet, og start deretter strømforsyningen på nytt.
ML7	Åpen krets-feil i MOSFET	Hvis du støter på dette problemet, kan du kontakte distributøren for å få en løsning.
ML8	Underspenning for kontroll	Spenningen er for lav. Lad opp batteripakken før bruk.
ML9	Overspenning for kontroll	Spenningen er for høy. Start strømforsyningen på nytt.
ML10	Lav temperatur i batteri	Temperaturen på batterirommet og batteriet er for lav. Bruk maskinen ved passende temperatur og start strømforsyningen på nytt.
ML11	PMU overtemperatur Høy batteritemperatur	Temperaturen på batterirommet og batteriet er for høy. Vent til batteriet er avkjølt, og start deretter strømforsyningen på nytt.
ML12	Overtemperatur i motor	Motortemperaturen er for høy. Vent til motoren er avkjølt, og start deretter strømforsyningen på nytt.
ML13	Overtemperatur i kontroll	Kontrollertemperaturen er for høy. Vent til kontrollen er avkjølt, og start deretter strømforsyningen på nytt.
ML14	Overstrøm i programvare	Lasten er for høy. Start strømforsyningen på nytt.

Norsk

Feilkode	Beskrivelse	Løsning
ML15	Overstrøm i maskinvare	Lasten er for høy. Start strømforsyningen på nytt.
ML16	Feil i hastighetskontroll	Kontroller at hastighetskontrollen på håndtaket er riktig tilkoblet, og start deretter strømforsyningen på nytt.
ML17	Feil før lading av kontrollen	Start strømforsyningen på nytt.
ML18	Bremsefeil	Start strømforsyningen på nytt.
ML19	Feil i driftssekvens	Plasser venstre og høyre håndtak i parkeringsstilling, og bladstartbryteren i AV-stilling. Sitt i setet og prøv igjen.
ML20	Vinkelsensorfeil	Start strømforsyningen på nytt.
ML21	Reléfeil	Start strømforsyningen på nytt.
ML22	Feil i magnetisk ventil	Kontroller at magnetventilen til motoren er riktig tilkoblet, og start deretter strømforsyningen på nytt.
ML23	Kommunikasjonsfeil i batterirommet (PMU)	Kommunikasjonsfeil med batterirommet. Start strømforsyningen på nytt.
ML24	Feil i batterirommet (PMU)	Mindre/større feil i batterirommet. Utfør en sjekk og start strømforsyningen på nytt.
ML25	CAN-tidsavbruddsfeil – venstre driv	Kommunikasjonsfeil med venstre drivkontroll. Start strømforsyningen på nytt.
ML26	CAN-tidsavbruddsfeil – høyre driv	Kommunikasjonsfeil med høyre drivkontroll. Start strømforsyningen på nytt.
ML27	CAN-tidsavbruddsfeil – venstre knivblad	Kommunikasjonsfeil med venstre bladkontroll. Start strømforsyningen på nytt.
ML28	CAN-tidsavbruddsfeil – midtre knivblad	Kommunikasjonsfeil med den midtre bladkontrolleren. Start strømforsyningen på nytt.
ML29	CAN-tidsavbruddsfeil – høyre knivblad	Kommunikasjonsfeil med høyre bladkontroll. Start strømforsyningen på nytt.
ML30	Feil på flippdekslet i batterirommet	Kontroller at kontakten under setet er riktig tilkoblet, og start deretter strømforsyningen på nytt.
ML31	Kan ikke kontrollere bladsignalet	Kontroller at bladstartbryteren er riktig tilkoblet, og sett deretter bryteren tilbake til startposisjonen.
ML32	Programvareautentiseringsfeil	Start strømforsyningen på nytt.
MR1	Motorposisjoneringsfeil	Start strømforsyningen på nytt.
MR2	Bladmotor stoppet	Kontroller klippelasten og sett bladstartbryteren tilbake til startposisjonen.
MR3	Motorbeskyttelse ved lav hastighet	Start strømforsyningen på nytt.
MR4	Motorbeskyttelse ved høy hastighet	Start strømforsyningen på nytt.
MR5	Feil på motorhall-sensor	Kontroller at Hall-effektkontakten på bladkontrollen er riktig tilkoblet, og start deretter strømforsyningen på nytt.
MR6	Tap av kontrollfase	Kontroller at motorkablene til Kjøre-kontrollen er riktig tilkoblet, og start deretter strømforsyningen på nytt.
MR7	Åpen krets-feil i MOSFET	Hvis du støter på dette problemet, kan du kontakte distributøren for å få en løsning.
MR8	Underspenning for kontroll	Spenningen er for lav. Lad opp batteripakken før bruk.
MR9	Overspenning for kontroll	Spenningen er for høy. Start strømforsyningen på nytt.

NO

Feilkode	Beskrivelse	Løsning
MR10	Lav temperatur i batteri	Temperaturen på batterirommet og batteriet er for lav. Bruk maskinen ved passende temperatur og start strømforsyningen på nytt.
MR11	PMU overtemperatur Høy batteritemperatur	Temperaturen på batterirommet og batteriet er for høy. Vent til batteriet er avkjølt, og start deretter strømforsyningen på nytt.
MR12	Overtemperatur i motor	Motortemperaturen er for høy. Vent til motoren er avkjølt, og start deretter strømforsyningen på nytt.
MR13	Overtemperatur i kontroll	Kontrollertemperaturen er for høy. Vent til kontrollen er avkjølt, og start deretter strømforsyningen på nytt.
MR14	Overstrøm i programvare	Lasten er for høy. Start strømforsyningen på nytt.
MR15	Overstrøm i maskinvare	Lasten er for høy. Start strømforsyningen på nytt.
MR16	Feil i hastighetskontroll	Kontroller at hastighetskontrollen på håndtaket er riktig tilkoblet, og start deretter strømforsyningen på nytt.
MR17	Feil før lading av kontrollen	Start strømforsyningen på nytt.
MR18	Bremsefeil	Start strømforsyningen på nytt.
MR19	Feil i driftssekvens	Plasser venstre og høyre håndtak i parkeringsstilling, og bladstartbryteren i AV-stilling. Sitt i setet og prøv igjen.
MR20	Vinkelsensorfeil	Start strømforsyningen på nytt.
MR21	Reléfeil	Start strømforsyningen på nytt.
MR22	Feil i magnetisk ventil	Kontroller at magnetventilen til motoren er riktig tilkoblet, og start deretter strømforsyningen på nytt.
MR23	Kommunikasjonsfeil i batterirommet (PMU)	Kommunikasjonsfeil med batterirommet. Start strømforsyningen på nytt.
MR24	Feil i batterirommet (PMU)	Mindre/større feil i batterirommet. Utfør en sjekk og start strømforsyningen på nytt.
MR25	CAN-tidsavbruddsfeil – venstre driv	Kommunikasjonsfeil med venstre drivkontroll. Start strømforsyningen på nytt.
MR26	CAN-tidsavbruddsfeil – høyre driv	Kommunikasjonsfeil med høyre drivkontroll. Start strømforsyningen på nytt.
MR27	CAN-tidsavbruddsfeil – venstre knivblad	Kommunikasjonsfeil med venstre bladkontroll. Start strømforsyningen på nytt.
MR28	CAN-tidsavbruddsfeil – midtre knivblad	Kommunikasjonsfeil med den midtre bladkontrolleren. Start strømforsyningen på nytt.
MR29	CAN-tidsavbruddsfeil – høyre knivblad	Kommunikasjonsfeil med høyre bladkontroll. Start strømforsyningen på nytt.
MR30	Feil på flippdekslet i batterirommet	Kontroller at kontakten under setet er riktig tilkoblet, og start deretter strømforsyningen på nytt.
MR31	Kan ikke kontrollere bladsignalet	Kontroller at bladstartbryteren er riktig tilkoblet, og sett deretter bryteren tilbake til startposisjonen.
MR32	Programvareautentiseringsfeil	Start strømforsyningen på nytt.
PMU10	Åpen krets i batteripakke i PMU	Ikke-tilkoblet batteripakke i batterirommet; maskinens ytelse kan bli påvirket.
PMU11	PMU mindre feil	En mindre feil i batterirommet hindret bladsystemet i å starte. Vent til systemet gjenopprettes, og tilbakestill deretter bladstartbryteren.

Norsk

Feilkode	Beskrivelse	Løsning
PMU12	PMU kritisk feil	En stor feil i batterirommet hindret driv- og bladsystemene i å starte. Start strømforsyningen på nytt og prøv igjen.
PMU13	PMU ingen batteripakke tilgjengelig	Kontroller at du bruker riktig batteripakke, og start deretter strømforsyningen på nytt.

7 VEDLIKEHOLD

7.1 VEDLIKEHOLD AV KLIPPEBLAD

Sjekk klippekneivene daglig. De er nøkkelen til strømeffektivitet og velstelt gress. Hold dem skarpe - et matt blad vil rive i stedet for å klippe gresset, og etterlate en brun fillete topp på gresset i løpet av noen timer. Et sløvt blad krever også mer kraft. Bytt ut et knivblad som er bøyd, sprukket eller ødelagt.

▲ ADVARSEL

Forsøk aldri å rette ut et bøyd blad ved oppvarming, eller sveis et sprukket eller ødelagt blad, da bladet kan gå i stykker og forårsake alvorlig personskade. Bytt ut slitte eller skadede kniver.

▲ ADVARSEL

Arbeid aldri med knivblader mens nøkkelen er i tenningsbryteren. Vri nøkkelen til «AV»-posisjonen, fjern batteripakkene fra maskinen. Blokker klipperen når du må jobbe under den. Bruk hansker når du håndterer kniver. Sjekk alltid for knivskader hvis klipperen treffer en stein, gren eller andre fremmedlegemer!

▲ FARE

Touch-up sliping kan gjøres med en fil. Sjekk bladene for balanse etter sliping. Et kommersielt balanseringsverktøy er tilgjengelig gjennom de fleste jernvarebutikker, eller balansering kan gjøres ved å plassere bladet på en omvendt linjstans eller 12,7 mm (1/2") bolt. Bladet skal ikke lene eller vippe. Mens du spinner bladet sakte, skal det ikke vingle. Hvis bladet er i ubalanse, må du korrigere det før du installerer det igjen. Legg bladet på en flat overflate og se etter forvrengning. Bytt ut forvrent blad.

▲ ADVARSEL

- Bladseilet (buet del) må peke oppover mot innsiden av dekket for å sikre riktig klipping.
- Når du monterer kniver, roterer du dem etter installasjon for å sikre at knivtuppene ikke berører hverandre eller sidene av klipperen.
- Unnlatelse av å gi bolten riktig moment kan føre til tap av bladet, noe som kan forårsake alvorlig personskade.
- Gressklipperbladene er skarpe og kan kutte deg. Bruk hansker og vær ekstra forsiktig når du utfører service på dem.

7.1.1 SKIFT UT BLADET

Se figur 17

1. Stopp motoren, fjern startnøkkelen og aktiver parkeringsbremsen.
2. Hev høyden på klippedekket til høyeste posisjon for å få tilgang til knivene.

i MERK

Løft om nødvendig gressklipperen ved å plassere den på en heis eller bruke jekk og jekkstativer, eller fjern klippedekket som beskrevet i forrige avsnitt for å få tilgang til knivene.

▲ ADVARSEL

Hvis du løfter gressklipperen for å få tilgang til knivene, må du sørge for at gressklipperen er ordentlig sikret og at parkeringsbremsen er aktivert før du fortsetter. Hvis gressklipperen ikke sikres ordentlig, kan den falle, noe som kan føre til død eller mulig alvorlig personskade.

3. Kil en treblokk mellom kniven og klippedekket for å hindre at bladet blir vridd.

Norsk

- Løsne bladmutteren ved å vri den mot klokken (sett fra bunnen av gressklipperen) med en 16 mm skiftenøkkel eller hylse (følger ikke med).
- Fjern bladmutteren, avstandsstykket, bladisolatoren og bladet.
- Tre bladmutteren på akselen og trekk til med fingeren.
- Trekk til bladmutteren med klokken ved hjelp av en momentnøkkel (følger ikke med) for å sikre at bolten er godt strammet. Det anbefalte dreiemomentet for bladmutteren er 90 N.m ~ 100 N.m (66 ~ 74 ft.lbs).

▲ ADVARSEL

Forsikre deg om at bladet er riktig plassert og at bladmutteren er strammet til dreiemomentspesifikasjonene ovenfor. Hvis bladet ikke festes ordentlig, kan det løsne og føre til mulig alvorlig personskaade.

- Gjenta med det andre bladet, om nødvendig.

i MERK

Forsikre deg om at alle delene byttes ut i akkurat den rekkefølgen de ble fjernet.

7.2 DEKK

Det er viktig for jevn klipping at alle dekk har riktig mengde lufttrykk. Det anbefalte trykket er:

i MERK

Dekktrykket skal kun måles eller justeres når dekkene er kalde.

Drivhjul	8 psi
Hjul foran	37 psi

i MERK

Inspiser dekkene daglig. Skift umiddelbart hvis den er skadet.

▲ ADVARSEL

Kontroller dekktrykket nøye mens du pumper opp dekkene. For mye luft i dekket kan få dekket til å sprekke og forårsake alvorlig personskaade.

7.3 SMØRING

Se figur 19

Tilsett olje før bruk.

Oljetype	SAE85W-140
Oljekapasitet	180 ml

Kontakt din Cramer forhandler for å erstatte smøringen.

i MERK

Bytt girkasseoljen etter at du har brukt maskinen i 50 timer for første gang, og bytt deretter oljen etter 200 timer.

7.4 DREIEMOMENTVERDIER

▲ ADVARSEL

Spesiell oppmerksomhet må vies til å stramme drivhjulets knaster og bladspindelbolter. Unnlattelse av å trekke til disse gjenstandene korrekt kan føre til tap av et hjul eller et blad, noe som kan forårsake alvorlig skade eller personskaade.

Dreiemomentverdier er gitt nedenfor:

Del	Ft-lbs.	Nm
Hjulmuttere (slepemuttere)	89	120
Bladspindelbolt	66	90

Bare slepemuttere –Det anbefales at disse først kontrolleres etter de to første driftstimene, og deretter hver 100. time og etter fjerning for reparasjon eller utskifting.

7.5 VEDLIKEHOLD AV BATTERIPAKKEN

Klipperen Cramer din drives av en batteripakke som, når den vedlikeholdes på riktig måte, vil gi mange års levetid. For riktig vedlikehold, følg følgende instruksjoner:

- Lad alltid batteriene etter hver bruk.
- Når en batteripakke er helt utladet og slått av, er det best å lade batteriet så snart som mulig. Overutlading av batteripakken betyr at batterilevetiden vil bli forkortet og batteriet kan bli permanent skadet. Det er ikke nødvendig å fullade; det vil være fordelaktig selv om du bare lader batteripakken i 5-10 minutter. Det er best å lade den opp innen 24 timer.
- Hindre at gress, smuss og rusk samler seg i nærheten av batteripoler og i batteriområdet.
- Lad batterier innendørs på et godt ventilert og tørt sted borte fra gnister eller flammer. Utsett aldri laderen for regn, damp eller væske.
- Lad bare litiumbatterier levert av Cramer.
- Ikke berør uisolert del av laderen (klemmepinnene) eller utgangskontakten.
- Må ikke brukes med defekte ledninger og ledninger. Bytt defekte ledninger og ledninger umiddelbart.
- For langtidsoppbevaring, sørg for at lagringstemperaturen er -20 °C – 45 °C innen en måned, og 0 °C – 35 °C mellom to og tolv måneder.
- Batteripakkens arbeidsmiljø er -20 °C – 55 °C for utlading og 0 °C ~ 55 °C for lading.

7.6 VEDLIKEHOLD AV BATTERIROMFILTER

Skift ut filteret i batterirommet etter 200 timer.

7.7 SERVICE

i VIKTIG

Vent til all bevegelse stopper før du justerer, rengjør eller reparerer. Reparasjoner eller vedlikehold som krever strøm bør kun utføres av opplært vedlikeholdspersonell. Les og observer sikkerhetsadvarslene foran håndboken.

i VIKTIG

Reparasjoner eller vedlikehold som krever strøm bør kun utføres av opplært vedlikeholdspersonell.

- Parker klipperen på jevnt underlag. Pass på at styrespakene er i nøytral posisjon, og at PTO-bryteren er i «AV»-posisjon. Løft dekket, roter nøkkelen til «AV»-posisjon, fjern nøkkelen fra bryteren og fjern batteripakkene fra batterirommet under setet.
- Enhver vedlikeholdsoperasjon som krever fjerning av sikkerhetsdeksler må utføres av en utdannet servicetekniker.
- Bruk en pinne eller lignende instrument til å rengjøre under klipperen, og pass på at ingen del av kroppen – spesielt armer og hender – er under klipperen.
- Hold maskinen ren og fjern eventuelle avleiringer av søppel og utklipp.
- Hold batterirommet, dekket og førerplassen rene for oppsamlet søppel, gressklipp og annet rusk.
- Rengjør batterirommet, drivmotorrommet, klippeaggregatet, setet osv. for alt skitt og rusk. For å rengjøre, bruk kun trykkluft. IKKE bruk vann, løsemidler, harde rengjøringsmidler eller slipemidler.
- Bruk alltid tilstrekkelig øyevern når du utfører service på batteriene eller når du sliper klippeknivene og fjerner oppsamlet rusk. Forsøk aldri å foreta justeringer eller reparasjoner på klipperens drivsystem, klippeaggregat eller annet tilbehør mens trekkdirvsystemet er i gang. Reparasjoner eller vedlikehold som krever strøm bør kun utføres av opplært vedlikeholdspersonell.

- Arbeid aldri under maskinen eller tilbehøret med mindre det er trygt støttet med jekkstativer. Sørg for at maskinen er sikker når den er hevet og plassert på jekkstativene.
- Jekkstativene skal ikke tillate at maskinen beveger seg når trekkdrivsystemet er i gang og drivhjulene roterer. Bruk kun sertifiserte jekkstativ. Bruk kun egnede jekkstativ, med en minimumsvekt på 907,2 kg (2000 pounds) for å blokkere enheten. Bruk kun i par. Følg instruksjonene som følger med kjøretøystativene.
- Ikke berør varme deler av maskinen.
- Hold muttere og bolter stramme, spesielt knivfesteboltene. Hold utstyret i god stand.
- Ikke tukle med sikkerhetsinnretninger. Kontroller at de fungerer som de skal.
- Vri nøkkelen til «AV»-posisjonen før du tømmer gressrennen.
- Tøm aldri gressrennen med maskinen i gang. Vri nøkkelen til «AV»-posisjonen og sørg for at knivene har stoppet før rengjøring. Bruk en pinne for å tømme en tett gressrenne. Bruk aldri hånden!
- Stopp enheten og la knivene stanse før du tømmer rennen. Komponenter i gressoppsamlingsystemet er utsatt for slitasje, skade og forringelse, noe som kan avsløre bevegelige deler eller tillate gjenstander å kastes av. Sjekk komponentene ofte og skift ut med produsentens anbefalte deler, når det er nødvendig.
- Vær forsiktig når du arbeider under dekk siden klipperbladene er ekstremt skarpe. Bruk hansker og vær ekstra forsiktig når du utfører service på dem.
- Bruk bare ekte Cramer klipperdeler for å sikre at originale standarder opprettholdes.
- Ta alltid ut batteriene når du transporterer enheten. Hold enheten fri for gress, løv og annet rusk.
- Kontroller bremsefunksjonen ofte. Juster og vedlikehold etter behov.
- Vedlikehold eller bytt sikkerhets- og instruksjonsmerker, om nødvendig.
- Sørg for å få utført service på kjøregressklipperen hos en kvalifisert reparatør og utelukkende ved bruk av identiske reservedeler. Dette vil sikre at sikkerheten til kjøregressklipperen opprettholdes.
- Lad bare med laderen som er spesifisert av produsenten. En lader som passer for én type batteripakke, kan skape fare for brann når den brukes med andre batteripakker.

8 TRANSPORT OG OPPBEVARING

8.1 TRANSPORT

▲ ADVARSEL

Vær ekstra forsiktig når du laster eller losser maskinen i en tilhenger. Trykk på lavhastighetsknappen og flytt kjørespakene forsiktig etter behov for å kontrollere hastigheten. Alltid rygg opp på tilhengeren når du laster den. Når du laster eller losser gressklipperen, må du ikke overskride den maksimale anbefalte driftsvinkelen på 15°. Unnlatelse av å følge disse instruksjonene kan føre til tap av kontroll og lede til død, alvorlig personskade eller skade på eiendom.

▲ ADVARSEL

Vær forsiktig når du laster eller losser klipperen på en tilhenger. Sørg for at klippedekket er hevet til høyeste posisjon slik at det ikke sitter fast på rampen. Hjulene på gressklipperen kan gå av rampen eller tilhengeren, noe som fører til at gressklipperen svinger eller velter, og resulterer i en knusefare som kan forårsake død eller alvorlig personskade.

1. Parker gressklipperen på et jevnt underlag.
2. Løft klippedekket til høyeste posisjon.
3. Plasser og fest rampen til tilhengeren i henhold til produsentens instruksjoner.

i MERK

Vi anbefaler at du bruker en lasterampe i full bredde som er minst én fot bredere enn gressklipperen for å minimere risikoen for at gressklipperens hjul går av rampens side.

4. Trekk gressklipperen sakte tilbake på rampen og inn i tilhengeren.
5. Senk klipperdekket helt.
6. Aktiver parkeringsbremsen.
7. Slå av gressklipperen og fjern nøkkelen.
8. Fest gressklipperen etter behov med stropper eller kabler for å forhindre bevegelse under transport.

▲ ADVARSEL

For å unngå utilsiktet start eller bevegelse som kan føre til alvorlig personskade, må du alltid fjerne startnøkkelen og stille inn parkeringsbremsen når du transporterer gressklipperen.

8.2 RENGJØRING OG OPPBEVARING

8.2.1 RENGJØRE MASKINEN

- Fjern eventuell opphoping av gress og blader på eller rundt motordekselet (Ikke bruk vann fra en høytrykkspistol til å skylle motoren).
- Tørk av og til klipperen ren med en tørr klut.
- Hvis det samler seg rusk på undersiden av klipperen under bruk, må du stoppe motoren, slå av maskinen og skrape den ren med et passende verktøy.

8.2.2 RENGJØRE KLIPPEDEKKET

Se figur 18

- Sett parkeringsbremsen inn i parkeringssporene.
- Juster klipperens dekkhøyde til den laveste.
- Fest den medfølgende skiveport-hurtigkoblingen til hageslangen.
- Fest hageslangen med hurtigkobling for å vaske porten på klipperdekket. Skiveporten er på venstre side av klipperdekket.
- Slå på vannet.
- Trekk i PTO-bryteren for å starte klippeknivene og juster knivhastigheten til den høyeste.
- Skyll vann under dekk i omtrent ett minutt.
- Koble fra gressklipperbladene ved å skyve PTO-bryteren nedover.
- Slå av vannet og fjern hageslangen og hurtigkoblingen fra skiveporten.
- Fjern hurtigkoblingen fra hageslangen og oppbevar for fremtidig bruk.
- Slå gressklipperen helt av.

8.2.3 OPPBEVAR MASKINEN

Følgende tiltak bør iverksettes for å klargjøre maskinen for oppbevaring.

- Rengjør maskinen som beskrevet i forrige avsnitt.
- Inspiser knivbladet og bytt det ut eller skjerp det om nødvendig (se avsnittet Vedlikehold).
- Ikke oppbevar maskinen ved siden av etsende materialer, for eksempel gjødsel eller steinsalt.
- Oppbevar maskinen utilgjengelig for barn.
- Ikke dekk maskinen med et solid plastark. Plastbelegg fanger fuktighet rundt maskinen, noe som forårsaker rust og korrosjon.
- Sjekk grundig etter slitte eller skadede deler som må byttes ut, og bestill dem fra forhandleren.
- Ta kontakt med servicesenteret for å smøre maskinen grundig.
- Lad batteriene helt opp og få utført service på dem.
- Ikke tøm luften fra dekkene.
- Maskinen skal oppbevares på et godt ventilt, rent og tørt sted, da batteriladeren ikke kan brukes i våte omgivelser.
 - Hold alltid batteriene fulladet. Det er spesielt viktig å forhindre batteriskader når temperaturen er under 32 ° F (0 ° C).
 - Fest laderadapteren til ladeporten og batteriene i henhold til delen Ladeadapter i delen Elektrisk system.
 - Koble laderen til en skikkelig stikkontakt. Se delene Batterilader, Batterilading og Ladeanbefalinger i delen Elektrisk system for mer informasjon om bruk av laderen og lading av batteriene.
 - For å maksimere batterilevetiden er det best å fullade batterier i kort tid etter hver bruk.

8.2.4 FORBEREDE PÅ BRUK ETTER OPPBEVARING

Følgende tiltak bør iverksettes før du bruker gressklipperen etter at den har vært i oppbevaring:

- Lad batteriene helt opp.

- Kontroller dekktrykket og blås opp etter behov.
- Kjør gressklipperen kort og kontroller alle systemer og komponenter for å sikre at de fungerer som de skal.

9 FEILSØKING

PROBLEM	MULIG ÅRSAK	LØSNING
Kjøretøyet vil ikke bevege seg.	Batterirommet er ikke satt inn i batteripakken eller en ikke- Cramer designert batteripakke.	For å sikre normal drift av kjøretøyet, skal minst ett stk Cramer av angitte batteripakkeprodukter plasseres i batterirommet.
	Batteripakken er ikke ladet.	Sjekk batteripakkens strøm.
	Styrehåndtakene er i parkeringsbrems-posisjon.	Forsikre deg om at venstre og høyre kontrollspak ikke er i parkeringsbrems-posisjon.
	Ingen sitter på setet eller operatørtilstedeværelsesbryteren er ikke lukket.	Forsikre deg om at sjåføren sitter på setet.
	Venstre og høyre parkeringsbryter er ikke i startposisjonen når strømmen er på.	Sett styrespakene i parkeringsbrems-posisjon og start maskinen på nytt. Hvis den fremdeles ikke kan startes, kontakt aktuelt Cramer etter-salgspersonell.
	Batterirommet er i sovende tilstand.	Vri nøkkelbryteren til AV-gir og vent i mer enn fem sekunder før du starter maskinen på nytt.
Plutselig sammenbrudd under kjøring	Batteriet er ikke ladet.	For å sikre normal drift av hele kjøretøyet, er det nødvendig å plassere minst ett stk av Cramer angitte batteripakkeprodukter i batterirommet og sørge for at batteripakken har strøm.
	Ujevne og humpete veier, noe som resulterer i frakobling av operatørtilstedeværelsesbryteren.	Sett styrespakene i parkeringsbrems-posisjonen og start maskinen på nytt.
	Venstre/høyre akselerator sviktet.	Kontakt Cramer servicepersonale for ettersalg.
	Drivkontroll sviktet.	Kontakt Cramer servicepersonale for ettersalg.
Bladet fungerer ikke etter at du har trukket PTO-bryteren.	Batterirommet settes ikke inn i batteripakken som er spesifisert av Cramer.	For å sikre normal drift av hele kjøretøyet, er det nødvendig å plassere minst ett stk av Cramer angitte batteripakkeprodukter i batterirommet og sørge for at batteripakken har strøm.
	Batteristrømmen er lavere enn 5 %.	Kontroller batteristrømmen. Hvis batteristrømmen er lav, må du lade batteriet.
	Operatørtilstedeværelsesbryteren er ikke lukket.	Sørg for at sjåføren sitter på setet.
	Bladbryteren (PTO) er ikke i startposisjon før den slås på.	Trykk på PTO og trekk den opp igjen.
	Blokking av bladmotor eller annen funksjonell beskyttelse.	Kontroller at det ikke er ugress og andre fremmedlegemer ved forbindelsen mellom knivbladet og motoren for å sikre jevn bladrotasjon. Det anbefales å trekke opp dekket og starte knivbladet før du justerer dekket til ønsket utstyr.
	Drivkontrollen fungerer ikke.	Sjekk feilkoden som vises på skjermen.
Bladet stopper når du klipper gress.	Bladkontrolleren fungerer ikke.	Sjekk feilkoden som vises på skjermen.
	Overbelastning av bladmotor.	Rengjør innsiden av dekket, sørg for at det ikke er unormal bladrotasjon, trykk på PTO, start maskinen på nytt og reduser bladbelastningen, enten ved å heve høyden på klippebordet eller redusere kjørehastigheten.
	Batteripakkens temperatur er for høy.	Ikke bruk den umiddelbart etter at ladingen er fullført, ellers kan det utløse en feilmelding om temperaturbeskyttelse for batteripakken.

Norsk

PROBLEM	MULIG ÅRSAK	LØSNING
	Batteristrømmen er lavere enn 5 %.	Batteripakkens strøm er lav. Lad opp batteriet.
	Knivbladet blir truffet av en fremmed gjenstand, noe som forårsaker en plutselig stopp.	Vri startnøkkelen til AV-posisjon og vent i mer enn fem sekunder før du starter maskinen på nytt.
	Drivkontrollen fungerer ikke.	Sjekk feilkoden som vises på skjermen.
Klipperen kutter gresset ujevnt, og høydeforskjellen er veldig stor.	Knivbladet er sløvt.	Poler knivbladet i henhold til håndboken.
	Knivbladet er bøyd.	Bytt ut det bøyde knivbladet, bytt ut knivbladet i henhold til instruksjonene, og bruk verneutstyr.
	Dekket er ikke flatt.	Gjør dekket flatt i henhold til instruksjonene for å sikre at venstre og høyre høyde er like.
Den faktiske klippehøyden samsvarer ikke med den valgte klippehøyden.	Løsne dekkets festebolter.	Juster festeboltene på dekk for å sikre at den er godt installert. Merk: Dekket må nivelleres på nytt etter justering av monteringsboltene.
	Dekket er alvorlig slitt eller skadet.	Bytt ut et nytt dekk.
Unormal makulering for kjøretøy	Plenen er for våt.	Før du klipper, vennligst sjekk gresstilstanden. Hvis gresset er for vått, vent til vinden eller solskinet tørker det, og vent til plenduggen forsvinner før du klipper.
	Gressklipperen er stilt inn til å klippe for mye gress på en gang.	Hvis gresset er for tett og høyt, må du heve dekket og unngå å klippe tungt gress så mye som mulig.
For mye maskin- vibrasjon	Knivbladene er sløve.	Poler knivbladet i henhold til metoden i håndboken.
	Knivbladene er bøyd.	Bytt ut det bøyde knivbladet, vær oppmerksom på riktig utskifting av knivbladet i henhold til instruksjonene, og bruk vernehansker.
	Ujevnt dekk.	Gjør dekket flatt i henhold til instruksjonene for å sikre at venstre og høyre høyde er like.
	Løsne dekket.	Lås dekkets faste bolter.
	Gressklipperen er stilt inn til å klippe for mye gress på en gang.	Hvis gresset er for tett og høyt, løft dekket og prøv å unngå å kutte tungt gress.
Gress, blader eller rusk blir igjen på bakken etter klipping.	Gressklipperen er stilt inn til å klippe for mye gress på en gang.	Hvis gresset er for tett og høyt, løft dekket. Hvis gresset er høyere enn 15 cm, bruk to klippesykluser for å oppnå klippeeffekten, og prøv å unngå å klippe tungt gress.
	Gresset er for vått.	Kontroller gressets tilstand før klipping. Hvis gresset er for vått, vent til vinden eller solskinn tørker det, og vent til plenduggen forsvinner før du klipper.
	Kjørehastigheten er for rask.	Senk kjørehastigheten.
	Knivbladshastigheten er for lav.	Øk hastighetsnivået til knivbladet.
Kort klippevarighet	Klipping av tungt gress kan resultere i kort klippetid.	Hvis du hever dekket eller reduserer knivhastigheten, kan klipperens brukstid økes på én lading.
Løpsk gressklipper	Forskjellig dekktrykk	Kontroller gressklipperens bakre dekktrykk regelmessig i henhold til håndboken.
Kjøretøyet starter ikke etter vask.	Feil rengjøring, for eksempel vann inn i LED-skjermen, batterirommet og andre elektroniske komponenter.	<ol style="list-style-type: none"> 1. Følg instruksjonene for å rengjøre maskinen. 2. Hvis kjøretøyet ved et uhell blir gjennomvått, må du sette kjøretøyet på et tørt sted i tolv timer eller tørke det før bruk. 3. Kontakt Cramer servicepersonale for ettersalg.

PROBLEM	MULIG ÅRSAK	LØSNING
Klipperen er blokkert.	Ugress og søppel hopet seg opp på dekk.	Følg instruksjonene for å rengjøre maskinen hver gang etter at du har brukt maskinen.
I parken glir maskinen raskt i skråningen og sklir.	Alvorlig slitasje på dekkene.	Kontakt ettersalgspersonalet for å erstatte dekkene.
	Den elektromagnetiske bremsen er skadet eller fryktelig slitt.	Kontakt ettersalgspersonalet for å bytte ut den elektromagnetiske bremsen.
	Elektromagnetisk brems frigjøres manuelt.	Kontroller den elektromagnetiske bremsen og still den tilbake til startposisjonen.

10 TEKNISKE DATA

Modell nr.	82ZT107
Spenning	82 V
Brutto kjøretøysvekt	106±3 kg
Lengde	170 cm
Høyde	117 cm
Bredde (med utslipp)	135 cm
Bredde (uten utslipp)	107 cm
Dekkbredde	107 cm
Hastighet fremover	0-7.5 mpt
Revershastighet	0-3 mpt
Klippehøydeområde	3.81-11.4 cm
Justeringsnivå for klippehøyde	7 stk
Hastighet uten belastning	2400/3000/3200 RPM
Ladetid	4 h (med 8 En lader)
Motorkraft	1.2 kW (bladmotor)
	1.2 (drivmotor)
MAKS. skråning	15°
Antall blader (utløp/mulch)	2 stk.
Målt lydtrykknivå	$L_{pA} = 85.63 \text{ dB(A)}$, $K_{pA} = 3 \text{ dB(A)}$
Målt lydeffektnivå	$L_{wA} = 98.61 \text{ dB(A)}$
Garantert lydeffektnivå	$L_{wA,d} = 100 \text{ dB(A)}$
Vibrasjon	Armer: $\leq 2.5 \text{ m/s}^2$, $K = 1.5 \text{ m/s}^2$
	Kropp: $\leq 2.5 \text{ m/s}^2$, $K = 1.5 \text{ m/s}^2$

11 BEGRENSET GARANTI

11.1 HVA DEKKES AV DENNE GARANTIE

Cramer gir kun følgende garanti til den opprinnelige kjøperen («Eieren») – garantien kan ikke overføres:

A. Boligbruk: Cramer produkter som brukes til vanlige boligformål* er garantert i fem (5) år eller 1500 timers total bruk (avhengig av hva som inntreffer først) fra kjøpsdatoen på alle materialer og utførelse av chassis, dekk og

batterier. Forbruksvarer som dekk og kniver er garantert i tretti (30) dager fra kjøpsdatoen. Hvis eieren oppdager en defekt i materialer eller utførelse innenfor denne garantiperioden:

- Eier må straks varsle Cramer eller en autorisert forhandler skriftlig eller via e-post, telefonsamtale, app eller personlig om mangelen. Under ingen omstendigheter skal slik melding mottas av Cramer, eller en autorisert forhandler, senere enn fem (5) år fra kjøpsdatoen.
- Innen rimelig tid etter slik varsling og verifisering av garantigyldig defekt Cramer vil rette opp eventuelle feil i materiale eller utførelse på Cramer produkt ved, etter eget valg, å reparere eller erstatte del(er) med enten nye eller brukte reservedeler.
- Slik reparasjon, herunder deler og arbeid, skal gå på bekostning av Cramer bare den opprinnelige eieren.

B. Komerseil bruk: Cramer produkter som brukes til kommersiell og institusjonell bruk er garantert i fem (5) år eller 1500 timers total bruk (avhengig av hva som inntreffer først) fra kjøpsdatoen på alt materiale og utførelse av chassis, dekk og batterier. Forbruksvarer (inkludert men ikke begrenset til dekk og blader) er garantert i tretti (30) dager fra kjøpsdatoen. Hvis eieren oppdager en defekt i materialer eller utførelse innenfor denne garantiperioden:

- Eier må straks varsle Cramer eller en autorisert forhandler skriftlig, via e-post, telefonsamtale, app eller personlig om defekten. Under ingen omstendigheter skal slik melding mottas av Cramer, eller en autorisert forhandler, senere enn fem (5) år fra kjøpsdatoen.
- Innen rimelig tid etter slik varsling og verifisering av garantigyldig defekt Cramer vil rette opp eventuelle feil i materiale eller utførelse på Cramer produkt ved, etter eget valg, å reparere eller erstatte del(er) med enten nye eller brukte reservedeler.
- Slik reparasjon, herunder deler og arbeid, skal gå på bekostning av Cramer bare den opprinnelige (komerseielle) eieren.

i MERK

Unnlattelse av å vedlikeholde batteriene og holde dem fulladet vil redusere batterilevetiden og vil ugyldiggjøre batterigarantien. Bestemmelsene i denne begrensede garantien skal ikke gjelde for feil på grunn av:

- Misbruk eller omsorgssvikt som: vannskade, løse ledninger eller rustet eller korrodert maskinvare.
- Mangel på riktig vedlikehold; skade forårsaket av feil installasjon av batteriet; omsorgssvikt, brudd, eksponering for ekstreme temperaturforhold, inkludert men ikke begrenset til frysende temperaturer, varme temperaturer, nærhet til varmekilder inkludert varmeovner eller brann, eksponering for vann eller andre stoffer, vrak, drift av batteriet i en overladet eller uladet tilstand.
- Et batteri ladet av andre systemer enn den originale utstyrstypen batterilader.

Fotnote: *“Normale boligformål”, som brukt her, betyr bruk av produktet på samme tomt som hjemmet ditt. Bruk på mer enn ett sted regnes som kommersiell bruk, hvoretter garantien for kommersiell bruk gjelder.*

11.2 HVEM SKAL UTFØRE GARANTISERVICEN

All garantiservice skal utføres av en Cramer autorisert forhandler eller Cramer autorisert servicetekniker. Serviceanrop og/eller transportkostnader for produktet til og fra den autoriserte forhandleren, for garantiarbeid, betales av eieren av produktet. For garantiservice, kontakt en autorisert forhandler.

11.3 HVA DEKKES IKKE AV DENNE GARANTIEN

Cramer garanterer ikke:

- Reparasjoner utført av uvedkommende.
- Skader som skyldes bruk av Cramer produktet for andre formål enn de det ble designet for.
- Skader forårsaket av katastrofer som brann, flom, vind og lynnedslag.
- Skader forårsaket av omsorgssvikt, misbruk, unormal bruk, feil eller urimelig bruk, ulykke, uaktsomhet eller misbruk som vannskade.
- Reparasjoner eller utskifting som følge av bruk av uautoriserte deler, tilbehør eller vedlegg.
- Reparasjoner eller erstatning som følge av eventuelle endringer eller modifikasjoner, ved fastsettelse av Cramer, som påvirker utstyrets drift, ytelse eller holdbarhet negativt.
- Produkter, komponenter eller deler som ikke er produsert av Cramer.
- Produkter som har fått sin identifikasjon endret, inkludert, men ikke begrenset til, serienumre fjernet og/eller gjort uleselige.

- Avskrivning eller skade forårsaket av normal slitasje, mangel på rimelig og riktig vedlikehold, manglende overholdelse av produktets brukerhåndbok for bruk, vedlikehold og justering eller andre driftsinstruksjoner gitt av Cramer.
- Normalt vedlikeholdsdeler og service, inkludert, men ikke begrenset til, smøremidler, tune-up deler, kniver, knivsliping, lagre, bremse- eller styrejusteringer.
- Produkter med ikke-godkjent programmering for det produktet, inkludert endringer i parametere, ettermarkedsprogrammering eller justeringer, eller enhver ikke-godkjent modifikasjon av komponenter, elektronikk eller programvare.

11.4 FRASKRIVELSE AV GARANTI

De foregående garantiene er i stedet for alle andre garantier, uttrykte eller underforståtte, inkludert, men ikke begrenset til, underforståtte garantier for salgbarhet og egnethet for et bestemt formål. Men hvis Cramer produktet kjøpes som et forbrukerprodukt, er enhver underforstått garanti for salgbarhet eller egnethet for et bestemt formål begrenset til varigheten av denne begrensede garantien. Noen stater tillater ikke begrensninger på hvor lenge en underforstått garanti varer, så begrensningene ovenfor gjelder kanskje ikke for deg. Denne garantien gir deg spesifikke juridiske rettigheter, og du kan også ha andre rettigheter som varierer fra stat til stat.

11.5 BEGRENSNING AV RETTSMIDLER

Ikke i noe tilfelle skal Cramer være ansvarlig for noen spesielle, tilfældige skader eller følgeskader basert på garantibrudd, kontraktsbrudd, uaktksomhet, strengt erstatningsansvar eller annen juridisk teori. Slike skader inkluderer, men er ikke begrenset til:

- Tap av profitt
- Tap av besparelser eller inntekter
- Tap av bruk av Cramer Produkt eller annet tilknyttet utstyr
- Kostnad for kapital
- Kostnad for erstatningsutstyr, fasiliteter, tjenester eller nedetid
- Krav fra tredjeparter, inkludert kunder, og skade på eiendom

11.6 TIDSBEGRENSNING

Med mindre statlig lov bestemmer noe annet:

Enhver handling for brudd på garantien må påbegynnes innen fem (5) år eller seksti (60) måneder fra kjøpsdatoen i en bolig- og / eller kommersiell applikasjon.

I tilfelle produksjonsdatoen overskrider en rimelig tidsramme før første kundekjøp, Cramer Garantien kan være underlagt ytterligere begrensninger.

11.7 INGEN ANDRE GARANTIER

Denne avtalen er forstått å være den fullstendige og eksklusive avtalen mellom partene, som erstatter alle tidligere avtaler, muntlig eller skriftlig, og all annen kommunikasjon mellom partene knyttet til emnet for denne avtalen.

11.8 EIERS ANSVAR

Du må vedlikeholde Cramer produktet ved å følge vedlikeholdsprosedyrene beskrevet i brukerhåndboken. Slik rutinemessig vedlikehold, enten utført av en forhandler eller av deg, er for din regning.

Denne maskinen, som alt annet drevet utstyr, er potensielt farlig med mindre den brukes på riktig måte. Enhver operatør må være forsiktig og alltid ha sikkerheten i tankene. Enhver operatør, før du bruker Cramer produktet, gjøre seg grundig kjent med brukerhåndboken angående drift og sikkerhet for maskinen, samt alle sikkerhetsadvarsler på selve maskinen.

11.9 ALLOKERING AV RISIKO

Denne avtalen fordeler risikoen for produktfeil mellom Cramer og eieren. Denne allokeringen er anerkjent av begge parter og reflekteres i prisen på varene.

11.10 GARANTIREGISTRERING

Med mindre statlig lov bestemmer noe annet:

1. Eierne må registrere enheten hos Cramer innen ti (10) dager etter kjøpsdato.
2. Registrering kan fylles ut ved å fylle ut garantiregistreringsskjemaet, som er gitt i brukerhåndboken.
3. Påmelding kan også fylles ut ved å bruke nettbaserte skjemaer på cramertools.com eller ved å bruke appen og fremlegge kjøpsbevis (kvittering inkludert kjøpsdato).

12 EF-SAMSVARSERKLÆRING

Navn og adresse til produsenten:

Navn: Greenworks Tools Europe GmbH
Adresse: Brunnenweg 17, 64331 Weiterstadt, Tyskland

Navn og adresse til person med autorisasjon til å utarbeide den tekniske dokumentasjonen:

Navn: Ralf Pankalla
Adresse: Brunnenweg 17, 64331 Weiterstadt, Tyskland

Vi erklærer herved at produktet

Kategori: Null-sving gressklipper
Modell: 82ZT107
Serienummer: Se typeetikett på produkt
Produksjonsår: Se typeetikett på produkt

- er i samsvar med de relevante bestemmelsene i maskindirektivet 2006/42/EF.
- er i samsvar med bestemmelsene i følgende andre EF-direktiver:
 - 2014/30/EU
 - 2011/65/EU og (EU)2015/863

I tillegg erklærer vi at følgende (deler/paragrafer) i de harmoniserte EU-standardene har vært brukt:

- EN 62841-1, EN ISO 5395-1, EN ISO 5395-3, EN ISO 14982, IEC 62321-3-1, IEC 62321-4, IEC 62321-5, IEC 62321-6, IEC 62321-7-1, IEC 62321-7-2, IEC 62321-8

Sted, dato: 11.11.2022

Signatur: Ted Qu, Kvalitetsdirektør

Ted Qu

1	Beskrivelse.....	306	7.3	Smøring.....	323
1.1	Oversigt.....	306	7.4	Drejningsmomentværdier.....	324
1.2	Betjeningspanel.....	306	7.5	Vedligeholdelse af batteripakken.....	324
2	Pak maskinen ud.....	306	7.6	Vedligeholdelse af batterirumsfilter.....	324
3	Installation.....	307	7.7	Servicering.....	324
3.1	Montering af sædet.....	307	8	Transport og opbevaring.....	326
3.2	Sæt dækslet på jorddækningsenheden..	307	8.1	Transport.....	326
3.3	Montering af styrehåndtaget.....	307	8.2	Rengøring og opbevaring.....	326
3.4	Neutral omkørsel-knop.....	308	9	Troubleshooting.....	328
3.5	Skånende hjul.....	308	10	Technical data.....	330
4	Betjeningsvejledning.....	308	11	Begrænset garanti.....	331
4.1	Før brug.....	308	11.1	Hvad er dækket af denne garanti.....	331
4.2	Brug af maskinen.....	310	11.2	Hvem er ansvarlig for garantiservicen...	331
5	Elektrisk system.....	315	11.3	Hvad er ikke dækket af denne garanti...	331
5.1	Sikkerhed omkring det elektriske system.....	315	11.4	Fraskrivelse af garanti.....	332
5.2	Oplysninger om det elektriske system...	315	11.5	Begrænsning af retsmidler.....	332
5.3	Digital skærm.....	315	11.6	Tidsfrist.....	332
6	Fejl.....	316	11.7	Ingen andre garantier.....	332
6.1	Fejlkode.....	317	11.8	Ejerens ansvar.....	332
7	Vedligeholdelse.....	322	11.9	Fordeling af risici.....	333
7.1	Vedligeholdelse af plæneklipperens klinger.....	322	11.10	Garantiregistrering.....	333
7.2	Dæk.....	323	12	EF- overensstemmelseserklæring	333

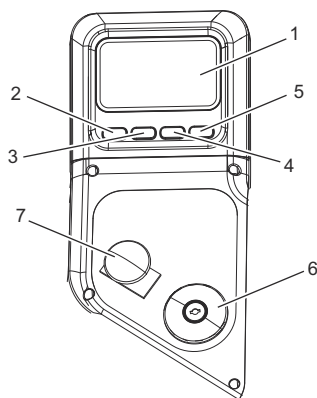
1 BESKRIVELSE

1.1 OVERSIGT

Se separat figurark 1-19

- | | |
|--------------------------------------|--------------------------|
| 1 Styrehåndtag | 19 Neutral omkørsel-knop |
| 2 Sædejusteringshåndtag | 20 Serienummer |
| 3 Forlygte | 21 Parringskode |
| 4 Forhjul | 22 QR-kode |
| 5 Udstødning | 23 Batterirum |
| 6 Drivhjul | 24 Batteri |
| 7 Betjeningspanel | 25 Batteri-lås |
| 8 USB-port | 26 Sluk |
| 9 Kopholder | 27 Tænd |
| 10 Dæk | 28 Start nøglehul |
| 11 Skånende hjul | 29 Bolt |
| 12 Håndtag til justering af dækhøjde | 30 Spændeskive |
| 13 Sædepanel | 31 Klinge |
| 14 Sædestik | 32 Haveslange |
| 15 Dæksel til jorrdækningsenhed | 33 Lynkobling |
| 16 Lejring | 34 Vaskehul |
| 17 Klemmer | 35 Olieafløb |
| 18 Monteringsstang | 36 Oliemåler |

1.2 BETJENINGSPANEL



#	Navn	Funktion
1	Digital skærm	Denne skærm viser vigtige oplysninger om det elektriske system. Du kan finde flere oplysninger i afsnittet om el-systemet.
2	Fartpilot til klingemotoren/Retur	Juster klingehastigheden (periodisk), når den vises på startsiden. Tryk på knappen for at vende tilbage til den forrige side.
3	Menunavigation / Side op	Sæt den digitale skærm på sidste side. Tilbage til startskærmen.
4	Kontakt til lygterne/ Side ned	Tænd/sluk lygterne, når de vises på startsiden. Sæt den digitale skærm på næste side.
5	Styring af hastigheden/ Bekræft	Juster kørehastigheden (periodisk), når den vises på startsiden. Tryk på knappen for at bekræfte.
6	Tænd/sluk-knap	Denne kontakt bruges til, at tænde og slukke for plæneklipperen.
7	Tænd/sluk-kontakt til dækklingerne (PTO)	Denne kontakt starter klingemotorerne. Tryk kontakten op for, at starte motorerne og tryk kontakten ned for, at stoppe dem.

i VIGTIGT

Klingemotorerne må aldrig startes, når dækket er under belastning. Motorerne eller dækket kan blive beskadiget.

2 PAK MASKINEN UD

▲ ADVARSEL

Sørg for, at samle maskinen korrekt før brug.

▲ ADVARSEL

- Hvis dele af maskinen beskadiges, må den ikke bruges.
- Hvis der mangler nogen dele, må maskinen ikke bruges.
- Hvis dele er beskadiget eller mangler, skal du kontakte servicecenteret.

1. Åbn pakken.
2. Læs dokumentationen, der følger med i pakken.
3. Tag alle ikke-monterede dele ud af pakken.
4. Tag maskinen ud af pakken.
5. Bortskaf pakken og emballagen i overensstemmelse med lokale bestemmelser.

▲ ADVARSEL

Af hensyn til din sikkerhed, må batteriet ikke sættes i, før værktøjet er samlet helt.

3 INSTALLATION

3.1 MONTERING AF SÆDET

Se figur 3

1. Placer det samlede sæde over sædepanelet, og sørg for at hullerne er mod hinanden, som vist.
2. Monter bolte, spændeskiver og møtrikker og spænd dem ordentligt.
3. Sæt mufferne på møtrikkerne.
4. Sørg for, at den sidder sikkert.
5. Slut sædestykket til maskinen.

3.2 SÆT DÆKSLET PÅ JORDDÆKNINGSENHEDEN

Se figur 4

Plæneklipperen er konfigureret til, at bruge sideudstødningen, når den sendes fra fabrikken. Hvis jorddækning ønskes:

1. Placer dækslet til jorddækningsenheden på tappen på plæneklipperens kabinet.
2. Sæt hullerne i dækslet til jorddækningsenheden og hullerne på plæneklipperens kabinet mod hinanden.
3. Sæt boltene, skruerne, klemmerne og lejeringen på og spænd dem fast, som vist.

3.3 MONTERING AF STYREHÅNDTAGET

Se figur 5-6

▲ ADVARSEL

Venstre og højre styrehåndtag skal justeres, så de ud for hinanden, når de er i neutral position. Styrehåndtagene må ALDRIG monteres i en asymmetrisk betjeningshøjde.

1. Løft det ene styrehåndtag op, så hullerne i håndtaget er mod hullerne i den tilsvarende monteringsstang.
2. Vælg styrehåndtagets foretrukne betjeningshøjde. Sæt skruen med skiven i hullet.
3. Brug nøglen (13*16 mm) til, at spænde styrehåndtaget fast.
4. Monter det andet styrehåndtag på samme måde.

▲ FORSIGTIG

Styrehåndtaget må ikke monteres omvendt.

3.3.1 STYREHÅNDTAG

De to håndtag styrer plæneklipperens hastighed, retning, stop, neutrallås og parkeringsbremse. Håndtagene bruges til at styre, accelerere, decelerere, stoppe og skifte retning. Når styrehåndtagene er i parkeringsbremsepositionen, bevæger plæneklipperen sig ikke.

i BEMÆRK

Kør altid med begge hænder. Kør ikke med kun én hånd.

3.3.2 BRUG APPEN

Se figur 9-10

1. Gå på Fleet Management's hjemmeside: fleet.cramertools.com
2. Opret en konto, og log derefter ind.
3. Inviter andre brugere i organisationen.
4. Scan QR-koden, download appen og log ind.
5. Tilføj en enhed. Find serienummeret, parringskoden og QR-koden på køretøjets mærkat i denne vejledning. Scan QR-kode, eller indtast manuelt.

3.4 NEUTRAL OMKØRSEL-KNOP

Se figur 7-8

1. Træk de neutrale omkørsel-knopper udad og derefter nedad, for at låse hjulet op.
2. Tryk de neutrale omkørsel-knopper tilbage på plads, for at låse hjulene.

▲ ADVARSEL

Kør aldrig plæneklipperen med den neutrale omkørsel-knop aktiveret. Sæt altid den neutrale omkørsel-knop på den oprindelige position før kørsel! Hvis knopperne ikke sættes på igen, kan det føre til alvorlige skader på din plæneklipper, og det kan ugyldiggøre plæneklipperens garanti!

▲ ADVARSEL

Lås aldrig den neutrale omkørsel-knop op, når maskinen kører på en skråning!

3.5 SKÅNENDE HJUL

Se figur 2

De skånende hjul er standard på Cramer enhederne. Disse hjul er designet til at minimere oprivning, når maskinen klipper hårdt og ujævnt terræn. Når du har indstillet klippehøjden, skal du justere hjulene, så de rækker ud under dækket, men ikke kommer i kontakt med jorden. De skal altid være mindst 0,6 cm til 1,9 cm under dækket. Med enheden på en flad og plan overflade, kan hjulenes position justeres op eller ned efter behov fra 1,9 cm til 4,4 cm under klingens overflade. Flyt hjulene op eller ned - brug de forskellige akselmonteringshuller i hjulmonteringsbeslaget (hvis relevant på modellen).

4 BETJENINGSVEJLEDNING

4.1 FØR BRUG

4.1.1 JUSTER SÆDET

Se figur 11

▲ ADVARSEL

Sørg for, at sædet er skruet ordentligt fast før hver brug, så det ikke bevæger sig/vipper, hvis plæneklipperen vælter.

1. Tryk styrehåndtagene udad i PARKERINGSBREMSE-positionen, før sædet justeres.
2. Sæt på sædet, og tryk håndtaget til sædejustering opad.

3. Skub sædet til den ønskede position samtidig med, at du holder håndtaget oppe.
4. Slip håndtaget, og sørg for, at sædet er låst på plads, før plæneklipperen tages i brug.

▲ ADVARSEL

Sørg for, at sædet er låst på plads, før plæneklipperen tages i brug. Et sæde, der ikke låst på plads, kan flytte sig så føreren mister kontrollen over plæneklipperen, hvilket kan være livsfarligt eller føre til alvorlige personskader.

4.1.2 JUSTER DÆKKETS KLIPPEHØJDE

Se figur 12

Før du bruger plæneklipperen, skal du hæve dækket til klippeindstillingen, der passer bedst til din græsplæne.

Dækkets højde kan justeres fra 3.81-11.4 cm. Dækket skal hæves, når plæneklippningen kører for at undgå stubbe, sten eller andre forhindringer, der kan beskadige plæneklipperen.

▲ FORSIGTIG

Hold ordentligt fast i justeringshåndtaget til dækhøjden, når dækhøjden justeres, og slip først når dækket er fastgjort i den ønskede højde. Hvis håndtaget slippes for hurtigt, kan førerens hånd komme i klemme eller trækkes væk.

1. Stop plæneklipperen og frigør klingerne.
2. Sluk nøglen, og træk parkeringsbremsen.
3. For at hæve klippedækket, skal justeringshåndtaget til dækhøjden trykkes til venstre, så det løsnes fra rillen. Tryk det derefter mod plæneklipperens bagende, og tryk det til højre ind i en af rillerne.
4. For at sænke klippedækket, skal justeringshåndtaget til dækhøjden trykkes til venstre, så det løsnes fra rillen. Tryk det derefter mod plæneklipperens forende, og tryk det til højre ind i en af rillerne.

4.1.3 JUSTER STYREHÅNDTAGET

Styrehåndtagene kan justeres for, at gøre tingene nemmere for brugeren. Når hætteskruerne, der holder det øvre styrehåndtag fast på den nedre styrehåndtag, løsnes, kan det øvre styrehåndtag drejes efter brugerens eget ønske. Styrehåndtagene skal justeres, så de er ud for hinanden, når de er i neutral position.

4.1.4 SÆT BATTERIPAKKEN I

Se figur 13

For at se, om plæneklipperens batterierne er ladet helt op, skal du se indikatoren til batteriniveaue. Se batterimanualen for at få flere oplysninger.

1. Løft sædepanelet.
2. Løft dækslet til batterirummet.
3. Sæt batteriet i batterirummet.

▲ ADVARSEL

Sæt batteriets riller med batterirummet. Sørg for, at batterilåsen klikkes fast i batterirummet.

4.1.5 FØR MASKINEN TAGES I BRUG

- Sørg for, at der ikke er nogen børn, omkringstående personer eller kæledyr i arbejdsområdet.
- Ryd arbejdsområdet for genstande, der kan slynges væk af plæneklipperen.
- Kontroller bremsedriften.
- Kontroller dæktrykket.
- Se, om der er løse fastgørelseselementer på plæneklipperen.
- Se, om alle skærme er på plads og om de virker ordentligt.
- Rengør plæneklipperen for skidt.
- Test låsesystemet.
- Juster sædet til den ønskede position.
- Kontroller batteriets opladningsniveau.

4.1.6 STARTLÅS

Maskinen er udstyret med en startlås bestående af parkeringsbremsekontakterne, førertilstedeværelseskontakten og dækklingernes tænd/sluk-kontakt.

Plæneklipperens startlås er også beregnet til at beskytte brugeren og andre mod utilsigtet skader som følge af start af trækraftsystemet ved et uheld.

Kontroller dagligt plæneklipperens startlås før brug. Denne lås er en vigtig sikkerhedsfunktion på plæneklipperen. Den skal repareres med det samme, hvis den holder op med at virke. Maskinen har en separat førertilstedeværelseskontakt, som stopper drivsystemet og dækmotorerne, hvis føreren ikke sidder på sædet, når plæneklipperen kører. Dette er en sikkerhedsfunktion, der er beregnet til at forhindre utilsigtet kørsel og uheld.

▲ ADVARSEL

Startlåsen må ikke afbrydes eller omgås. Hvis du gør det, kan maskinen starte ved et uheld, som kan føre til personskader.

Sådan ses systemet efter:

1. Føreren skal sidde på sædet, når førertilstedeværelseskontakten testes.
2. Drej nøglen, for at starte maskinen.
3. Træk styrehåndtagene til parkeringsrillerne.
4. Træk PTO-kontakten opad, for at tænde motoren.
5. Løft langsomt op af sædet. Dækklingerne skal stoppe.
6. Hvis dækklingerne ikke stopper, når føreren rejser sig fra sædet, og hvis årsagen ikke kan findes, skal du kontakte din Cramer forhandler med det samme.

4.2 BRUG AF MASKINEN

4.2.1 START MASKINEN

Se figur 14

i BEMÆRK

Sørg for, at der ikke er nogen personer i arbejdsområdet, før plæneklipperen bruges. Hvis nogen kommer ind i arbejdsområdet, skal du straks stoppe plæneklipperen. Den må først startes igen, når personerne har forladt området.

1. Hæv klippedækket helt op.
2. Sæt nøgle i og tænd den.
3. Træk højre og venstre styrehåndtag indad.
4. Træk PTO-kontakten til dækket opad, for at starte klingerne, hvorefter græsset kan klippes.

i BEMÆRK

Start kun klingerne, når styrehåndtagene er i NEUTRAL-position! Start ALDRIG klingerne under bevægelse!

5. Placer styrehåndtagene i fremad (D) position, og kør til det ønskede klippested.

i BEMÆRK

Vær forsigtig, når du krydser grusstier eller indkørsler. Før du krydser, skal klingernes frakobles og klippedækket skal hæves helt op, for at minimere chancen for slyngning af genstande. Kør langsomt, så du undgår tab af trækraft og ikke mister kontrollen.

i BEMÆRK

Forsøg ikke at ændre driftsretningen, mens plæneklipperen er i bevægelse. Sørg altid for, at stoppe plæneklipperen helt, før du skifter retning.

i BEMÆRK

Styrehåndtagene går automatisk tilbage i neutral position, hvis du slipper dem. Men de skal stadig styres manuelt, når de sættes i neutral position.

4.2.2 KØR MASKINEN

Når trækraftsystemet er startet, skal du aktivere styrehåndtagene og styre på følgende måde:

▲ ADVARSEL

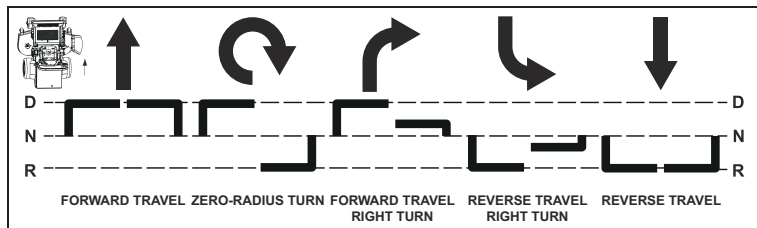
Hold altid øje med, hvad der er bag maskinen, før du bakker. Klip ikke baglæns, medmindre det er absolut nødvendigt. Kig altid ned og bagud før og når du bakker.

▲ ADVARSEL

Det anbefales ikke, at flytte styrehåndtagene hurtigt, da dette kan beskadige de elektriske systemkomponenter.

- **For at gå videre**, skal du trykke styrehåndtagene lige langt frem.
- **For at køre tilbage**, skal du trække styrehåndtagene bagud et tilsvarende stykke.
- **For at dreje til venstre**, skal du trykke det højre styrehåndtag længere frem fra neutral end det venstre styrehåndtag.
- **For at dreje til højre**, skal du trykke det højre styrehåndtag længere frem fra neutral end det højre styrehåndtag.
- **For at lave en nul-radius-drejning**, skal du trykke det ene styrehåndtag fremad og det andet styrehåndtag tilbage. Dette gør at drivhjulene kan dreje i modsat retning.
- **For at stoppe eller sænke hastigheden**, skal du sætte styrehåndtagene i neutral. Når du kører fremad, skal du forsigtigt trække styrehåndtagene tilbage. Når du kører i bakgear, skal du forsigtigt trykke styrehåndtagene frem.
- **Hvis du skal lave et nødstop**, kan dette gøres på to måder:
 - Når du kører frem og tilbage, skal du straks sætte styrehåndtagene i parkeringsbremsepositionen. Når du køre bagud, skal du forsigtigt trykke styrehåndtagene frem og undgå pludselige bevægelser. En pludselig bevægelse kan få plæneklipperens forende til at vippe op, hvilket kan føre til tab af kontrol, som kan være livsfarligt eller føre til alvorlige personskader.
 - Sluk startnøglen. Dette slukker trækraftsystemet og dækdirivsystemet.
- **For at lave en tre-punkts vending til højre**, skal du trykke venstre styrehåndtag længere frem fra neutral end det højre styrehåndtag, og starte vendingen. Træk derefter styrehåndtagene tilbage, indtil de er forbi neutral, og maskinen begynder at køre bagud. Træk højre styrehåndtag længere bagud fra neutral end venstre styrehåndtag, indtil den bagerste del af maskinen har drejet rundt. Tryk derefter styrehåndtagene frem, indtil de begge er forbi neutral, og maskinen begynder at køre fremad. Tryk venstre styrehåndtag længere frem fra neutral end det højre styrehåndtag, og afslut svinget.
- **For at øge hastigheden**, skal du øge styrehåndtagets afstand fra neutral. Jo længere frem styrehåndtagene er fra neutral, jo hurtigere vil maskinen køre fremad. Jo længere tilbage styrehåndtagene er fra neutral, jo hurtigere vil maskinen køre bagud.

PLÆNEKLIPPERENS FORENDE VENDER I DENNE RETNING



N= NEUTRAL-POSITION

D= KØRE-POSITION

R= BAK-POSITION

Pilenes retning viser hvilken retning plæneklipperen kører i



Venstre styrehåndtag

Højre styrehåndtag

4.2.3 STOP MASKINEN

▲ FARE

Undgå pludselige stop og hurtig retningsskift, især når du kører på en skråning. Styretøjet er følsomt. Hvis styrehåndtagene flyttes for hurtigt i en af retninger, kan maskinen reagere på en måde, der kan føre til alvorlige personskader.

1. Sæt styrehåndtagene tilbage til neutral. Tryk styrehåndtagene ud til parkeringsbremsepositionen.
2. Tryk dækklingernes tænd/sluk-kontakt (PTO) ned for, at slukke for klingerne.
3. Drej nøglen i tændingen, og sluk den.

▲ FORSIGTIG

Det anbefales at tage startnøglen ud af maskinen, så maskinen ikke startes ved et uheld.

4.2.4 BRUG USB-PORTEN

Se figur 15

USB-opladningsporten oplader med 5 volt jævnstrøm og op til 2,1 ampere, hvilket kan bruges til mobiltelefoner, MP3-afspillere og andre USB-enheder. Se opladningsoplysningerne i brugsvejledningen til din enhed.

For at oplade din enhed, skal du slutte den ene ende af et USB-kabel (medfølger ikke) til din enhed og den anden ende til USB-opladningsporten på plæneklipperen.

i BEMÆRK

Hvis du forsøger at oplade enheder, der er klassificeret til mere end 2,1 ampere, kan det beskadige USB-opladningsporten og/eller plæneklipperen.

i BEMÆRK

USB-porten kan kun forsyne strøm, når maskinen er startet.

▲ ADVARSEL

Brug aldrig hovedtelefoner eller elektroniske enheder, såsom en mobiltelefon eller tablet, når du betjener plæneklipperen. Hvis føreren distraheres under kørslen, kan det føre til ulykker, som kan være livsfarligt eller føre til alvorlige skader for føreren eller omkringstående personer.

4.2.5 BRUGSANBEFALINGER

▲ FARE

Før brug skal brugeren være grundigt fortrolig med hvordan udstyret bruges og betjenes. Brugeren skal læse hele vejledningen grundigt. Og brugeren skal først køre langsomt på maskinen, for at blive fortrolig med hvordan den styres, før hastigheden sættes op. En uerfaren bruger må ikke klippe på skråninger eller i ujævn terræn.

▲ ADVARSEL

Hvis du mister kontrollen, når du betjener maskinen, skal du straks sætte styrehåndtagene i parkeringsbremsepositionen, og slukke nøglen. Se maskinen efter og snak med din Cramer forhandler for at løse problemet, før plæneklipperen tages i brug igen.

▲ ADVARSEL

Maskinens styrehåndtag er meget følsomme. Flyt langsomt styrehåndtagene for at opnå en jævn drift, og undgå pludselige bevægelser. Du lærer med øvelse og erfaring hvordan maskine bruges og styres. Maskinen kan dreje meget hurtigt. Vær forsigtig, når du drejer, og sæt farten ned, før du laver skarpe sving.

Uerfarne brugere kan have en tendens til at overstyre og miste kontrollen. Det anbefales at starte med langsomme manøvrer, indtil du bliver fortrolig med disse egenskaber, før du kører på en normal hastighed.

▲ ADVARSEL

Undgå, at køre direkte mod dybe fordybninger eller høje forhindringer (såsom tagrender eller kantsten) med høj hastighed i et forsøg på at køre over dem, da brugeren kan slynges af udstyret. Kør frem med lav hastighed, så det ene drivhjul er ved siden af forhindringen. Fortsæt rundt om forhindringen, indtil hjulet slipper, og drej derefter det modsatte hjul rundt.

Hvis du drejer på blødt eller vådt græs, skal du holde begge hjul rullende enten fremad eller bagud. Hvis du drejer på et stoppet hjul, kan det beskadige græsplænen. Hold klingerne skarpe. Mange problemer med forkerte klippemønstre skyldes sløve klinger eller klinger, der er blevet slebet forkert. Klingens skarphed skal kontrolleres dagligt.

▲ FARE

Arbejd aldrig på klingerne, når nøglen er i tændingen. Afbryd altid dækklingernes tænd/sluk-kontakt (PTO), sæt styrehåndtagene i parkeringsbremsepositionen, sluk nøglen og tag den ud af kontakten. Bloker plæneklipperen, hvis du skal arbejde under den. Brug handsker ved håndtering af klingerne. Hvis plæneklipperen rammer en sten, gren eller et andet fremmedlegeme under klipningen, skal du altid kontrollere klingerne for skader.

- **Ret græsudstødningen til højre**, væk fra områder, der ikke er blevet klippet. Vælg et klippemønster, der leder det udstødte græs mod ydersiden af klippeområdet. Generelt betyder det, at man bruger et mønster, der bruger venstredrejninger, fordi udstødningen er på højre side. Undgå under alle omstændigheder at lede græsset på områder, der ikke er blevet klippet, da græsset derefter klippes "to gange". Hvis græsset klippes to gange, belastes maskinen unødvendigt meget, hvilket sænker klippeeffektiviteten.
- **Hvis en græsplæne klippes for første gang**, skal græsset klippe lidt længere end normalt, så ujævne områder ikke skalperes. Det er bedst at bruge den klippehøjde, der blev brugt tidligere, hvis muligt. Hvis du klipper græs, der er højere end 152 mm (6 tommer), anbefales det at klippe græsplænen to gange for, at opnå det bedste resultat.
- **Under normal klipning**, skal græsset klippes til ca. 38 mm (1,5 tommer). Det anbefales ikke at klippe græsset mere end det, medmindre græsset er sparsomt, eller det er sidst på sæsonen.
- **Brug forskellige klippemønstre hver gang du klipper græsset**, så græsset vokser lige og klipningen er mere jævn.
- **Husk, græs ikke vokser lige hurtigt** på forskellige tidspunkter af året. Græsset skal klippes oftere i det tidlige forår for, at bevare den samme klippehøjde. Da væksthastigheden aftager midt på sommeren, skal græsset ikke klippes så tit. Hvis du ikke kan klippe græsset regelmæssigt, skal du først klippe det i en høj klippehøjde. Klip det derefter igen to dage senere i en lavere klippehøjde.
- **Hæv plæneklipperens klippehøjde** hvis plæneklipperens klippebredde er bredere end plæneklipper, der førhen er blevet brugt. Dette sikrer, at ujævnt græs ikke klippes for kort.

- **Hæv plæneklipperens klippehøjde** hvis græsset er lidt højere end normalt, eller hvis græsset er meget fugtigt. Klip derefter græsset igen med en lavere klippehøjde.
- **Hvis maskinens fremadgående bevægelse skal stoppes** under klipningen, efterlades der muligvis en klump afklippede græs på græsplænen. For at undgå dette skal du køre ind på et tidligere klippet område med klingerne kørende.
- **Oplad batteriet med det samme** hvis maskinens batteristrøm kommer under 5 %.

Modelnummer	Batterikapacitet	Handling	Batterikapacitet	Handling
82ZT107	≤5%	Plæneklipperens tophastighed er 6.4 km/t.	≤5%	Arbejdsbladet stopper automatisk. Maskinen skal straks køres tilbage til omladning og tilsluttes batteriopladeren.

- **Lad motorerne køle af i 30 minutter.** Hvis drivmotoren overstiger den programmerede temperatur, falder motorhastigheden. Hvis temperaturen fortsætter med at stige, lukker drivmotoren helt ned.

4.2.6 BRUG PÅ SKRÅNINGER

Se figur 16

Skråninger er en væsentlig faktor i forbindelse med tab af kontrol og vælteulykker, som kan føre til alvorlige personskader eller dødsfald. Brug på alle skråninger kræver ekstra forsigtighed. Hvis du ikke kan bakke op ad en skråning, eller hvis du føler dig utryg på den, må du ikke klippe den.

- Kø på skråninger i henhold til producentens anbefalinger. Vær forsigtig, hvis du arbejder i nærheden af områder med et stort fald.
- Maskinen må under ingen omstændigheder bruges på stedet, hvor ordentlig trækraft, styring eller stabilitet ikke kan garanteres. Dækkene kan glide, selvom hjulene stopper.
- Hold altid maskinen i gear, når du kører ned ad skråninger. Undgå, at rulle ned ad en bakke i frigear.
- Vær meget forsigtig, hvis du kører på skråninger.
- Ingen af hjulene må fjernes eller ændres.
- Hold øje med huller, hjulspor, bump, sten og andre skjulte genstande. Ujævnt terræn kan vælte maskinen. Højt græs kan skjule forhindringer.
- Fjern alle forhindringer, såsom sten og træstykker.
- Alle bevægelser på skråninger skal være langsom og gradvis. Foretag ikke pludselige ændringer i hastighed eller retning.
- Undgå at starte og stoppe på en skråning. Hvis dækkene mister vejgreb, skal du afbryde klingerne og langsomt fortsætte lige ned ad skråningen.
- Klip med en sikker afstand (minimum 10 fod eller 3 meter) væk fra fald, støttemure, drængrøfter, volde, vand og andre typer farer for at undgå, at et hjul kører ud over kanten, eller at jorden skrider. Dette reducerer risikoen for, at maskinen pludselig vælter, hvilket kan føre til alvorlige personskader eller dødsfald.
- Brug en almindelig plæneklipper på skråninger og i nærheden af fald, støttemure, drængrøfter, volde og vand.
- Klip ikke på vådt græs. Hvis dækkene mister vejgreb kan maskinen glide og brugeren kan miste kontrollen over maskinen.
- Bugser ikke på skråninger. Vægten af det bugserede udstyr kan forårsage tab af trækraft og styring.
- Hvis plæneklipperens dæk mister vejgrebet, når du kører på skråninger, skal du afbryde dækdrivsystemet, sæt styrehåndtagene i parkeringsbremsepositionen, sluk nøglen og tag den ud af kontakten. Søg derefter hjælp.
- Foretag aldrig pludselige start, stop, vendinger eller retningsskift, især når du kører på skråninger. Styretøjet er følsomt. Hvis styrehåndtagene flyttes for hurtigt i en af retninger, kan maskinen reagere på en måde, der kan føre til alvorlige personskader.
- Lav aldrig pludselige stop, når du bakker ned ad skråninger. Denne handling kan få maskinen til at reagere på en sådan måde, at det kan forårsage alvorlige personskader.
- Plæneklipperen Cramer kan køre vandret (sidelæns) på moderate skråninger. Hvis du kører på skråninger op til 15 grader, skal du holde øje med forhold, hvor plæneklipperen kan miste vejgreb, hvilket kan gøre at du mister kontrol over maskinen. En bruger må ikke køre på en skråning, før brugeren er meget fortrolig med udstyret.

Maskinen må ikke bruges på skråninger med en hældning over 15 grader.

Se hældningsvejledningen, når du bestemmer hældningen på græsoverfladen, der skal klippes. Det anbefales kraftigt, at brugeren kører maskinen væk fra skråningen med ekstrem forsigtighed, hvis maskinen er ved at miste vejgreb. Vent, indtil problemet er løst, før du forsøger at køre på skråningen igen. Terrænforholdet kan påvirke maskinens vejgreb, så brugeren kan miste kontrol over maskinen. Nogle af betingelserne, du skal være opmærksom på, er:

1. Vådt terræn
2. Fordybninger i jorden (f.eks. huller, hjulspor, udtørrede vandpytter)
3. Bunker af jord
4. Bestemte jordtyper (f.eks. sand, løst jord, grus, ler)
5. Græstype, tæthed og højde
6. Ekstremt tørre forhold
7. Dæktryk

Tilbehøret, der er monteret på plæneklipperen, påvirker også måden, den håndteres på en skråning. Vær opmærksom på, at alle tilbehørsdele virker anderledes.

Dette er blot nogle få eksempler på situationer, hvor der skal udvises forsigtighed, når man arbejder på en skråning. Der er mange andre muligheder, og for mange til at nævne her. Husk altid at være meget forsigtighed, når du kører på alle skråninger.

5 ELEKTRISK SYSTEM

5.1 SIKKERHED OMKRING DET ELEKTRISKE SYSTEM

- Tag nøglen og batterierne ud, og læs brugsvejledningen, før produktet justeres eller repareres.
- Tag altid nøglen og batterierne ud, før der arbejdes på produktet.
- Tag altid nøglen og batterierne ud under transport.
- Hold maskinen fri for klippet græs, blade og andet affald. Maskinen må IKKE sprøjtes med vand, når den rengøres. Brug kun trykluft. Brug passende øjen- og høreværn under rengøring af maskinen.
- Brug altid sikkerhedsbriller og beskyttelsesudstyr i nærheden af batteriet. Brug isolerede værktøjer.
- Rengør batterirummet, drivmotorrummet, plæneklipperdækslet, sædet osv. for skidt og snavs. Brug ikke opløsningsmidler, hårde rengøringsmidler eller slibemidler.
- Tænd nøglen, hvorefter plæneklipperens klinge kan startes, når dækklingernes tænd/sluk-kontakt (PTO) tændes, også selvom drivmotoren ikke kører. Det må ikke være andre personer i området, når dækklingerne tændes.
- Alle vedligeholdelses- og opbevaringsområder skal være ordentligt ventileret i overensstemmelse med gældende brandregler og bekendtgørelser for, at undgå brandfare.
- Tillad aldrig flammer, gnister eller rygning i nærheden af batterier.
- Opbevar batterier utilgængeligt for børn.
- Hold altid beskyttelsesskærme, dæksler og afskærmninger på plads, og sørg for at de er spændt ordentligt fast. Hvis de beskadiges, skal de repareres eller skiftes med det samme.

Sikkerhedsanordningerne må aldrig ændres eller fjernes.

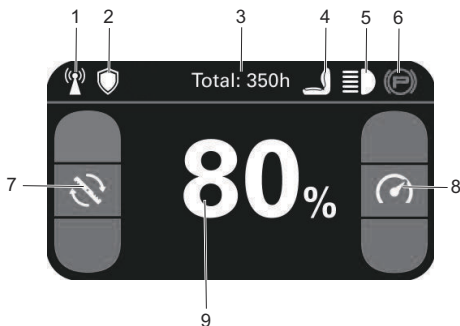
5.2 OPLYSNINGER OM DET ELEKTRISKE SYSTEM





Plæneklipperen Cramer Plæneklipperen drives af et 82-volts elektrisk system. Den består af følgende komponenter:

1. Klinge-styreenhed (1)
2. Bladmotor (2)
3. Styreenhed til drivsystem (1)
4. Accelerator - højre (1)
5. Accelerator - venstre (1)
6. Digital skærm (1)
7. Hjulmotor (2)
8. Batteripakke (1)

5.3 DIGITAL SKÆRM

Den digitale skærm sidder på betjeningspanelet. Her vises oplysninger om det elektriske system til brugeren. Her er også detaljerede oplysninger om mønster, koder og nummer.



#	Navn	Funktion
1		4G GPS-signal
2		GreenShield
3	I alt: 350 timer	Køretøjets arbejdstid
4		Sædekontakten er lukket.
5		LED-lys

#	Navn	Funktion
6		Parkeringsbremsen er aktiveret.
7		Klinge-hastighed
8		Kørehastighed
9	80 %	Batteriprocent

6 FEJL

CANBUS-systemet beskytter brugeren og maskinen, hvis systemet registrerer et problem. Når maskinen eller en komponent slukkes, indikerer den, at der er opstået en fejl, som vises på den digitale skærm. Alle elektriske fejl har en bogstavkode efterfulgt af et tal. Det første bogstav beskriver i hvilket systemet fejlen er i henhold til følgende diagram:

Navn	Betydning
TR	Styreenhed til højre drivsystem og motor
TL	Styreenhed til venstre drivsystem og motor
PMU	Strømstyringsenhed (i batterirummet)
ML	Styreenhed til venstre klingemotor
MR	Styreenhed til højre klingemotor

6.1 FEJLKODE

Fejlkode	Beskrivelse	Løsning
TR1	Fejl i motorplacering	Genstart strømforsyningen.
TR2	Drivmotoren er gået i stå	Se, om drivhjulene sidder fast, og genstart strømforsyningen.
TR3	Beskyttelse mod lav motorhastighed	Genstart strømforsyningen.
TR4	Beskyttelse mod høj motorhastighed	Genstart strømforsyningen.
TR5	Fejl i motorens Hall-sensor	Se, om hall-effektstikket på styreenheden til drivsystemet er ordentligt forbundet, og genstart derefter strømforsyningen.
TR6	Tab af fase i styreenheden	Se, om motorkablerne på styreenheden til drivsystemet er ordentligt forbundet, og genstart derefter strømforsyningen.
TR7	Fejl i det åbne MOSFET-kredsløb	Hvis dette problem opstår, bedes du kontakte din forhandler.
TR8	Underspænding i styreenheden	Spændingen er for lav. Oplad batteripakken inden brug.
TR9	Overspænding i styreenheden	Spændingen er for høj. Genstart strømforsyningen.
TR10	Lav batteritemperatur	Temperaturen i batterirummet og i batteriet er for lav. Brug maskinen ved en passende temperatur, og genstart strømforsyningen.
TR11	PMU overtemperatur Høj batteritemperatur	Temperaturen i batterirummet og i batteriet er for høj. Vent på, at batteriet er kølet af, og genstart derefter strømforsyningen.
TR12	Motoren er overophedet	Motortemperaturen er for høj. Vent til motoren er kølet af, og genstart derefter strømforsyningen.
TR13	Styreenheden er overophedet	Styreenheden er for varm. Vent, indtil styreenheden har kølet ned, og genstart derefter strømforsyningen.
TR14	Overstrøm i softwaren	Belastningen er for høj. Genstart strømforsyningen.
TR15	Hardware overstrøm	Belastningen er for høj. Genstart strømforsyningen.
TR16	Fejl i styreenheden til hastigheden	Sørg for, at håndtagets styreenhed til hastigheden er ordentligt forbundet, og genstart derefter strømforsyningen.
TR17	Fejl ved forudopladning af styreenheden	Genstart strømforsyningen.
TR18	Bremsefejl	Genstart strømforsyningen.
TR19	Fejl i driftssekvens	Sæt venstre og højre håndtag i parkeringspositionen, og sluk startkontakten til klingerne. Sæt dig på sædet og prøv igen.
TR20	Fejl i vinkelsensor	Genstart strømforsyningen.
TR21	Fejl i relæet	Genstart strømforsyningen.
TR22	Magnetisk ventilfejl	Se, om magnetventilen til drivmotoren er ordentligt forbundet, og genstart derefter strømforsyningen.
TR23	Kommunikationsfejl i batterirummet (PMU)	Kommunikationsfejl med batterirum. Genstart strømforsyningen.
TR24	Fejl i batterirummet (PMU)	Mindre/større fejl i batterirummet. Udfør en kontrol, og genstart strømforsyningen.

Fejlkode	Beskrivelse	Løsning
TR25	Fejl, tidsudløb på CAN - venstre drivsystem	Kommunikationsfejl med styreenheden til venstre drivsystem. Genstart strømforsyningen.
TR26	Fejl, tidsudløb på CAN - højre drivsystem	Kommunikationsfejl med styreenheden til højre drivsystem. Genstart strømforsyningen.
TR27	Fejl, tidsudløb på CAN - venstre klinge	Kommunikationsfejl med styreenheden til venstre klinge. Genstart strømforsyningen.
TR28	Fejl, tidsudløb på CAN - midterste klinge	Kommunikationsfejl med styreenheden til midterste klinge. Genstart strømforsyningen.
TR29	Fejl, tidsudløb på CAN - højre klinge	Kommunikationsfejl med styreenheden til højre klinge. Genstart strømforsyningen.
TR30	Fejl, flappen til batteridækslet er åben.	Se, om stikket under sædet er ordentligt forbundet, og genstart derefter strømforsyningen.
TR31	Fejl ved bekræftelse af førertilstedeværelseskontakten	Se, om stikket under sædet er ordentligt forbundet, og genstart derefter strømforsyningen.
TR32	Fejl under softwaregodkendelse	Genstart strømforsyningen.
TL1	Fejl i motorplacering	Genstart strømforsyningen.
TL2	Drivmotoren er gået i stå	Se, om drivhjulene sidder fast, og genstart strømforsyningen.
TL3	Beskyttelse mod lav motorhastighed	Genstart strømforsyningen.
TL4	Beskyttelse mod høj motorhastighed	Genstart strømforsyningen.
TL5	Fejl i motorens Hall-sensor	Se, om hall-effektstikket på styreenheden til drivsystemet er ordentligt forbundet, og genstart derefter strømforsyningen.
TL6	Tab af fase i styreenheden	Se, om motorkablerne på styreenheden til drivsystemet er ordentligt forbundet, og genstart derefter strømforsyningen.
TL7	Fejl i det åbne MOSFET-kredsløb	Hvis dette problem opstår, bedes du kontakte din forhandler.
TL8	Underspænding i styreenheden	Spændingen er for lav. Oplad batteripakken inden brug.
TL9	Overspænding i styreenheden	Spændingen er for høj. Genstart strømforsyningen.
TL10	Lav batteritemperatur	Temperaturen i batterirummet og i batteriet er for lav. Brug maskinen ved en passende temperatur, og genstart strømforsyningen.
TL11	PMU overtemperatur Høj batteritemperatur	Temperaturen i batterirummet og i batteriet er for høj. Vent på, at batteriet er kølet af, og genstart derefter strømforsyningen.
TL12	Motoren er overophedet	Motortemperaturen er for høj. Vent til motoren er kølet af, og genstart derefter strømforsyningen.
TL13	Styreenheden er overophedet	Styreenheden er for varm. Vent, indtil styreenheden har kølet ned, og genstart derefter strømforsyningen.
TL14	Overstrøm i softwaren	Belastningen er for høj. Genstart strømforsyningen.
TL15	Hardware overstrøm	Belastningen er for høj. Genstart strømforsyningen.
TL16	Fejl i styreenheden til hastigheden	Sørg for, at håndtagets styreenhed til hastigheden er ordentligt forbundet, og genstart derefter strømforsyningen.
TL17	Fejl ved forudoplading af styreenheden	Genstart strømforsyningen.

Fejlkode	Beskrivelse	Løsning
TL18	Bremsefejl	Genstart strømforsyningen.
TL19	Fejl i driftssekvens	Sæt venstre og højre håndtag i parkeringspositionen, og sluk startkontakten til klingerne. Sæt dig på sædet og prøv igen.
TL20	Fejl i vinkelsensor	Genstart strømforsyningen.
TL21	Fejl i relæet	Genstart strømforsyningen.
TL22	Magnetisk ventilfejl	Se, om magnetventilen til drivmotoren er ordentligt forbundet, og genstart derefter strømforsyningen.
TL23	Kommunikationsfejl i batterirummet (PMU)	Kommunikationsfejl med batterirum. Genstart strømforsyningen.
TL24	Fejl i batterirummet (PMU)	Mindre/større fejl i batterirummet. Udfør en kontrol, og genstart strømforsyningen.
TL25	Fejl, tidsudløb på CAN - venstre drivsystem	Kommunikationsfejl med styreenheden til venstre drivsystem. Genstart strømforsyningen.
TL26	Fejl, tidsudløb på CAN - højre drivsystem	Kommunikationsfejl med styreenheden til højre drivsystem. Genstart strømforsyningen.
TL27	Fejl, tidsudløb på CAN - venstre klinge	Kommunikationsfejl med styreenheden til venstre klinge. Genstart strømforsyningen.
TL28	Fejl, tidsudløb på CAN - midterste klinge	Kommunikationsfejl med styreenheden til midterste klinge. Genstart strømforsyningen.
TL29	Fejl, tidsudløb på CAN - højre klinge	Kommunikationsfejl med styreenheden til højre klinge. Genstart strømforsyningen.
TL30	Fejl, flappen til batteridækslet er åben.	Se, om stikket under sædet er ordentligt forbundet, og genstart derefter strømforsyningen.
TL31	Fejl under bekræftelse af sædeskift	Se, om stikket under sædet er ordentligt forbundet, og genstart derefter strømforsyningen.
TL32	Fejl under softwaregodkendelse	Genstart strømforsyningen.
ML1	Fejl i motorplacering	Genstart strømforsyningen.
ML2	Klingemotoren er gået i stå	Se, om græs har ophobet sig omkring klingerne. Sæt startkontakten til klingerne tilbage til i den originale position.
ML3	Beskyttelse mod lav motorhastighed	Genstart strømforsyningen.
ML4	Beskyttelse mod høj motorhastighed	Genstart strømforsyningen.
ML5	Fejl i motorens Hall-sensor	Se, om klinge-styreenhedens hall-effektstik er ordentligt forbundet, og genstart derefter strømforsyningen.
ML6	Tab af fase i styreenheden	Se, om motorkablerne på styreenheden til drivsystemet er ordentligt forbundet, og genstart derefter strømforsyningen.
ML7	Fejl i det åbne MOSFET-kredsløb	Hvis dette problem opstår, bedes du kontakte din forhandler.
ML8	Underspænding i styreenheden	Spændingen er for lav. Oplad batteripakken inden brug.
ML9	Overspænding i styreenheden	Spændingen er for høj. Genstart strømforsyningen.
ML10	Lav batteritemperatur	Temperaturen i batterirummet og i batteriet er for lav. Brug maskinen ved en passende temperatur, og genstart strømforsyningen.

Fejlkode	Beskrivelse	Løsning
ML11	PMU overtemperatur Høj batteritemperatur	Temperaturen i batterirummet og i batteriet er for høj. Vent på, at batteriet er kølet af, og genstart derefter strømforsyningen.
ML12	Motoren er overophedet	Motortemperaturen er for høj. Vent til motoren er kølet af, og genstart derefter strømforsyningen.
ML13	Styreenheden er overophedet	Styreenheden er for varm. Vent, indtil styreenheden har kølet ned, og genstart derefter strømforsyningen.
ML14	Overstrøm i softwaren	Belastningen er for høj. Genstart strømforsyningen.
ML15	Hardware overstrøm	Belastningen er for høj. Genstart strømforsyningen.
ML16	Fejl i styreenheden til hastigheden	Sørg for, at håndtagets styreenhed til hastigheden er ordentligt forbundet, og genstart derefter strømforsyningen.
ML17	Fejl ved forudopladning af styreenheden	Genstart strømforsyningen.
ML18	Bremsefejl	Genstart strømforsyningen.
ML19	Fejl i driftssekvens	Sæt venstre og højre håndtag i parkeringspositionen, og sluk startkontakten til klingerne. Sæt dig på sædet og prøv igen.
ML20	Fejl i vinkelsensor	Genstart strømforsyningen.
ML21	Fejl i relæet	Genstart strømforsyningen.
ML22	Magnetisk ventilfejl	Se, om magnetventilen til motoren er ordentligt forbundet, og genstart derefter strømforsyningen.
ML23	Kommunikationsfejl i batterirummet (PMU)	Kommunikationsfejl med batterirum. Genstart strømforsyningen.
ML24	Fejl i batterirummet (PMU)	Mindre/større fejl i batterirummet. Udfør en kontrol, og genstart strømforsyningen.
ML25	Fejl, tidsudløb på CAN - venstre drivsystem	Kommunikationsfejl med styreenheden til venstre drivsystem. Genstart strømforsyningen.
ML26	Fejl, tidsudløb på CAN - højre drivsystem	Kommunikationsfejl med styreenheden til højre drivsystem. Genstart strømforsyningen.
ML27	Fejl, tidsudløb på CAN - venstre klinge	Kommunikationsfejl med styreenheden til venstre klinge. Genstart strømforsyningen.
ML28	Fejl, tidsudløb på CAN - midterste klinge	Kommunikationsfejl med styreenheden til midterste klinge. Genstart strømforsyningen.
ML29	Fejl, tidsudløb på CAN - højre klinge	Kommunikationsfejl med styreenheden til højre klinge. Genstart strømforsyningen.
ML30	Fejl, flappen til batteridækslet er åben.	Se, om stikket under sædet er ordentligt forbundet, og genstart derefter strømforsyningen.
ML31	Kunne ikke bekræfte bladsignalet	Se, om startkontakten til klingerne er ordentligt forbundet, og sæt derefter kontakten tilbage i den originale position.
ML32	Fejl under softwaregodkendelse	Genstart strømforsyningen.
MR1	Fejl i motorplacering	Genstart strømforsyningen.
MR2	Klingemotoren er gået i stå	Se, om græs har ophobet sig omkring klingerne. Sæt startkontakten til klingerne tilbage til i den originale position.
MR3	Beskyttelse mod lav motorhastighed	Genstart strømforsyningen.

Fejlkode	Beskrivelse	Løsning
MR4	Beskyttelse mod høj motorhastighed	Genstart strømforsyningen.
MR5	Fejl i motorens Hall-sensor	Se, om klinge-styreenhedens hall-effektstik er ordentligt forbundet, og genstart derefter strømforsyningen.
MR6	Tab af fase i styreenheden	Se, om motorkablerne på styreenheden til drivsystemet er ordentligt forbundet, og genstart derefter strømforsyningen.
MR7	Fejl i det åbne MOSFET-kredsløb	Hvis dette problem opstår, bedes du kontakte din forhandler.
MR8	Underspænding i styreenheden	Spændingen er for lav. Oplad batteripakken inden brug.
MR9	Overspænding i styreenheden	Spændingen er for høj. Genstart strømforsyningen.
MR10	Lav batteritemperatur	Temperaturen i batterirummet og i batteriet er for lav. Brug maskinen ved en passende temperatur, og genstart strømforsyningen.
MR11	PMU overtemperatur Høj batteritemperatur	Temperaturen i batterirummet og i batteriet er for høj. Vent på, at batteriet er kølet af, og genstart derefter strømforsyningen.
MR12	Motoren er overophedet	Motortemperaturen er for høj. Vent til motoren er kølet af, og genstart derefter strømforsyningen.
MR13	Styreenheden er overophedet	Styreenheden er for varm. Vent, indtil styreenheden har kølet ned, og genstart derefter strømforsyningen.
MR14	Overstrøm i softwaren	Belastningen er for høj. Genstart strømforsyningen.
MR15	Hardware overstrøm	Belastningen er for høj. Genstart strømforsyningen.
MR16	Fejl i styreenheden til hastigheden	Sørg for, at håndtagets styreenhed til hastigheden er ordentligt forbundet, og genstart derefter strømforsyningen.
MR17	Fejl ved forudopladning af styreenheden	Genstart strømforsyningen.
MR18	Bremsefejl	Genstart strømforsyningen.
MR19	Fejl i driftssekvens	Sæt venstre og højre håndtag i parkeringspositionen, og sluk startkontakten til klingerne. Sæt dig på sædet og prøv igen.
MR20	Fejl i vinkelsensor	Genstart strømforsyningen.
MR21	Fejl i relæet	Genstart strømforsyningen.
MR22	Magnetisk ventilfejl	Se, om magnetventilen til motoren er ordentligt forbundet, og genstart derefter strømforsyningen.
MR23	Kommunikationsfejl i batterirummet (PMU)	Kommunikationsfejl med batterirum. Genstart strømforsyningen.
MR24	Fejl i batterirummet (PMU)	Mindre/større fejl i batterirummet. Udfør en kontrol, og genstart strømforsyningen.
MR25	Fejl, tidsudløb på CAN - venstre drivsystem	Kommunikationsfejl med styreenheden til venstre drivsystem. Genstart strømforsyningen.
MR26	Fejl, tidsudløb på CAN - højre drivsystem	Kommunikationsfejl med styreenheden til højre drivsystem. Genstart strømforsyningen.
MR27	Fejl, tidsudløb på CAN - venstre klinge	Kommunikationsfejl med styreenheden til venstre klinge. Genstart strømforsyningen.
MR28	Fejl, tidsudløb på CAN - midterste klinge	Kommunikationsfejl med styreenheden til midterste klinge. Genstart strømforsyningen.

Fejlkode	Beskrivelse	Løsning
MR29	Fejl, tidsudløb på CAN - højre klinge	Kommunikationsfejl med styreenheden til højre klinge. Genstart strømforsyningen.
MR30	Fejl, flappen til batteridækslet er åben.	Se, om stikket under sædet er ordentligt forbundet, og genstart derefter strømforsyningen.
MR31	Kunne ikke bekræfte bladsignalet	Se, om startkontakten til klingen er ordentligt forbundet, og sæt derefter kontakten tilbage i den originale position.
MR32	Fejl under softwaregodkendelse	Genstart strømforsyningen.
PMU10	Kredsløbet i batteripakken i PMU er åben	Batteripakken i batterirummet er ikke forbundet. Dette kan påvirke maskinens ydeevne.
PMU11	PMU mindre fejl	En mindre fejl i batterirummet forhindrede bladsystemet i at starte. Vent, indtil systemet gendannes, og nulstil derefter startkontakten til klingen.
PMU12	PMU kritisk fejl	En stor fejl i batterirummet forhindrede driv- og klingsystemerne i at starte. Genstart strømforsyningen, og prøv igen.
PMU13	PMU ingen batteripakke i maskinen	Se, om du bruger den rigtige batteripakke, og genstart derefter strømforsyningen.

7 VEDLIGEHOLDELSE

7.1 VEDLIGEHOLDELSE AF PLÆNEKLIPPERENS KLINGER

Kontroller dagligt plæneklipperens klinger. De er nøglen til energieffektivitet og velplejet græs. Hold dem skarpe - en sløv klinge river i græsset i stedet for at klippe det, og den efterlader en brun, pjaltet top på græsset inden for et par timer. En sløv klinge skal også bruge mere kraft. Skift alle klinger, der eventuelt er bøjet, revnet eller ødelagt.

▲ ADVARSEL

Forsøg aldrig at rette en bøjet klinge ved at varme den op. Du må heller ikke svejse en revnet eller ødelagt klinge, da den kan gå i stykker, hvilket kan føre til alvorlige personskader. Udskift slidte eller beskadigede knive.

▲ ADVARSEL

Arbejd aldrig på klingerne, når nøglen er i tændingen. Sluk nøglen, og tag batteripakkerne ud af maskinen. Bloker plæneklipperen, hvis du skal arbejde under den. Brug handsker ved håndtering af klingerne. Hvis plæneklipperen rammer en sten, gren eller et andet fremmedlegeme, skal du altid kontrollere klingerne for skader.

▲ FARE

Mild slibning kan gøres med en fil. Kontroller klingerne for balance efter slibning. Et afbalanceringsværktøj kan købes i almindelig handel. Det er også muligt, at balancere klingen på en omvendt linjestanse eller med en 12,7 mm (1/2 tommers) bolt. Klingens må ikke læne eller vippe. Mens du drejer klingens langsomt, må den ikke rokke. Hvis klingens er ude af balance, skal den rettes op, før den sættes på igen. Læg klingens på en flad overflade og sørg for, at de ikke er forvrænget. Udskift ethvert forvrænget blad.

▲ ADVARSEL

- Den buede del på klingens skal vende opad mod indersiden af dækket, for at klingens virker ordentligt.
- Når du har sat klingens på, skal de drejes manuelt, så du sikrer at klingspidserne ikke rører hinanden eller ikke rører siderne på plæneklipperen.
- Hvis boltens ikke spændes med det rigtige spændingsmoment, kan klingens falde af, hvilket kan føre til alvorlige personskader.
- Plæneklipperens klinger er skarpe, og du kan nemt skære dit på dem. Brug handsker og vær ekstra forsigtig, når du servicerer dem.

7.1.1 SKIFT KLINGEN

Se figur 17

1. Stop motoren, tag startnøglen ud og træk parkeringsbremsen.
2. Hæv klippedækkets helt op, så du får adgang til klingerne.

i BEMÆRK

Hæv plæneklipperen, hvis nødvendigt. Dette kan gøres med en lift eller en donkraft, eller tag klippedækket af, som beskrevet i det foregående afsnit, så du får adgang til klingerne.

▲ ADVARSEL

Hvis plæneklipperen hæves, for at få adgang til klingerne, skal du sørge for at plæneklipperen er spændt ordentligt fast og at parkeringsbremsen er trukket, før du fortsætter. Hvis plæneklipperen ikke spændes ordentligt fast, kan den falde ned, hvilket kan være livsfarligt eller føre til alvorlige personskader.

3. Sæt en træklods mellem klingen og plæneklipperdækket, så klingen ikke kan dreje.
4. Løsn klingemøtrikken ved at dreje den mod uret (set fra bunden af plæneklipperen) med en 16 mm skruenøgle (medfølger ikke).
5. Fjern klingemøtrikken, muffen, klingeisoleringen og klingen.
6. Skru klingemøtrikken på akslen, og spænd med fingeren.
7. Spænd klingemøtrikken med uret med en momentnøgle (medfølger ikke) så du er sikker på, at boltene er spændt rigtigt. Det anbefalede drejningsmoment til klingemøtrikken er 90 N.m ~ 100 N.m (66 ~ 74 ft.lbs).

▲ ADVARSEL

Sørg for, at klingen sidder rigtigt, og at klingemøtrikken strammes med det rigtige spændingsmoment, som vist ovenfor. Hvis klingen ikke spændes rigtigt fast, kan den løsne sig, hvilket kan føre til alvorlige personskader.

8. Gentag med andet blad, hvis det er nødvendigt.

i BEMÆRK

Sørg for, at alle delene sættes på igen i den rigtige rækkefølge, som de blev fjernet i.

7.2 DÆK

For at opnå en jævn klipning, er det vigtigt at alle dæk har det rigtige dæktryk. Det anbefalede tryk er:

i BEMÆRK

Dæktrykket må kun måles og justeres, når dækkene er kolde.

Drivhjul	8 psi
Forreste styrehjul	37 psi

i BEMÆRK

Se dækkene efter dagligt. Udskift dem straks, hvis de beskadiges.

▲ ADVARSEL

Kontroller dæktrykket omhyggeligt, når du pumper dækkene op. Hvis der kommer for meget luft i dækket, kan det sprænge og forårsage alvorlige personskader.

7.3 SMØRING

Se figur 19

Tilsæt olie inden drift.

Dansk

Olietype	SAE85W-140
Oliekapacitet	180 ml

Kontakt din Cramer forhandler for, at skifte smøringen.

i BEMÆRK

Skift olien i gearkassen, når maskinen har kørt de første 50 timer, og skift derefter olien for hver 200. time maskinen kører.

7.4 DREJNINGSMOMENTVÆRDIER

▲ ADVARSEL

Vær særlig omhyggelig, når du spænder drivhulets møtrikker og boltene på klingeakslerne. Hvis disse dele ikke tilspændes rigtigt, kan et hjul eller en klinge falde af, hvilket kan føre til alvorlige skader eller personskader.

Drejningsmomenterne er angivet nedenfor:

Del	Ft-lbs.	Nm
Hjilmøtrikker	89	120
Bolt til klingeaksel	66	90

Kun hjilmøtrikker -Det anbefales, at disse kontrolleres efter de første 2 timers drift, og derefter efter hver 100. time og efter fjernelse på grund af reparationer eller udskiftninger.

7.5 VEDLIGEHODELSE AF BATTERIPAKKEN

Din Cramer plæneklipper er drevet af en batteripakke, som - når den vedligeholdes rigtigt - vil give mange års brugbar levetid. For at vedligeholde produktet ordentligt, skal følgende vejledninger følges:

- Oplad altid batterierne efter hver brug.
- Hvis en batteripakke afladet helt og slukker, anbefales det at oplade batteriet så hurtigt som muligt. Hvis batteripakken lades for meget op, forkortes dets levetid, og batteriet kan blive permanent beskadiget. Der er ingen grund til at oplade batteriet helt. Det er godt for batteripakken blot at lade den op i 5-10 minutter ad gangen. Det er bedst at oplade batteriet inden for 24 timer.
- Undgå, at græs, skidt og snavs samler sig i nærheden af batteriterminalerne og i batteriområdet.
- Oplad batterier indendørs på et godt ventileret og tørt sted, væk fra gnister og åbent ild. Udsæt aldrig opladeren for regn, damp eller væske.
- Oplad kun litiumbatterier fra Cramer.
- Rør ikke ved uisolerede dele på opladeren (terminalerne) eller udgangsstikket.
- Må ikke bruges med defekte ledninger eller kabler. Udskift defekte ledninger eller kabler med det samme.
- Ved langtidsopbevaring skal du sørge for, at opbevaringstemperaturen er -20 °C - 45 °C, hvis produktet skal opbevares i op til en måned. For opbevaring i 2-12 måneder, skal opbevaringstemperaturen være 0 °C - 35 °C.
- Batteripakkens driftsmiljø er -20 °C -55 °C ved afladning og 0 °C ~ 55 °C ved opladning.

7.6 VEDLIGEHODELSE AF BATTERIRUMSFILTER

Udskift batterirumsfilteret hver 200. time.

7.7 SERVICERING

i VIGTIGT

Vent indtil alle dele stopper, før du justerer, rengør eller reparerer nogle af delene. Reparationer eller vedligeholdelse, der kræver strøm, må kun udføres af uddannet vedligeholdelsespersonale. Læs og overhold sikkerhedsadvarslerne i begyndelsen af vejledningen.

i VIGTIGT

Reparationer eller vedligeholdelse, der kræver strøm, må kun udføres af uddannet vedligeholdelsespersonale.

- Plæneklipperen skal parkeres på et plant underlag. Sørg for, at styrehåndtagene er i neutral position, og at PTO-kontakten er slukket. Hæv dækket, sluk nøglen og tag den ud af kontakten. Tag derefter batteripakkerne ud af batterirummet under sædet.
- Alt vedligeholdelsesarbejde, der kræver fjernelse af sikkerhedsdæksler, skal udføres af en uddannet servicetekniker.
- Brug en pind eller et lignende instrument til at rengøre under plæneklipperen, og sørg for, at ingen dele af kroppen - især arme og hænder - er under plæneklipperen.
- Hold din maskine ren og fjern eventuelle aflejringer af skidt og græs.
- Hold batterirum, dæk og førerplads ren for ophobet skidt, græs og andet affald.
- Rengør batterirummet, drivmotorrummet, plæneklipperdækslet, sædet osv. for skidt og snavs. Brug kun trykluft til rengøring. Brug IKKE vand, opløsningsmidler, hårde rengøringsmidler eller slibemidler.
- Brug altid ordentlig øjenbeskyttelse, når du servicerer batterierne, og når du sliber plæneklipperens klinger og fjerner ophobet skidt. Forsøg aldrig at foretage justeringer eller reparationer af plæneklipperens drivsystem, dæk eller tilbehør, når trækraftsystemet kører. Reparationer eller vedligeholdelse, der kræver strøm, må kun udføres af uddannet vedligeholdelsespersonale.
- Arbejd aldrig under maskinen eller tilbehøret, medmindre den er hævet sikkert med en donkraft. Sørg for, at maskinen står sikkert, når den hæves med en donkraft.
- Maskinen må ikke kunne flyttes sig, når den hæves med en dunkraft og trækraftsystemet kører og drivhjulene drejer. Brug kun certificerede donkrafter. Brug kun passende donkrafter, der mindst kan løfte 907,2 kg (2000 pund). Brug kun i par. Følg instruktionerne, der følger med køretøjets stativer.
- Rør ikke ved maskinens varme dele.
- Sørg for, at møtrikker og bolte altid er stramme, især boltene der fastholder klingerne. Hold udstyret i god stand.
- Der må aldrig manipuleres med sikkerhedsanordninger. Kontroller regelmæssigt, at sikkerhedsanordningerne virker ordentligt.
- Sluk nøglen, før du fjerner fastklemte rester i udstødningen.
- Ryd aldrig udstødningen, når maskinen kører. Sluk nøglen, og sørg for, at klingerne er stoppet før rengøring. Brug en pind til, at rydde en tilstoppet udstødning. Brug aldrig din hånd!
- Stop enheden, og lad klingerne stoppe, før udstødningen ryddes. Delene i græsopsamlingsystemet udsættes for slid, beskadigelse og forringelse, hvilket kan slynge bevægelige ud af maskinen. Delene skal regelmæssigt ses efter og skift dem med producentens anbefalede dele, hvis nødvendigt.
- Vær forsigtig, når du arbejder under dækket, da plæneklipperens klinger er ekstremt skarpe. Brug handsker og vær ekstra forsigtig, når du servicerer dem.
- Brug kun originale Cramer plæneklipperdele for at sikre, at de originale standarder overholdes.
- Batterierne skal altid tages ud, før produktet transporteres. Hold maskinen fri for klippet græs, blade og andet affald.
- Kontroller bremsedriften ofte. Juster og servicer efter behov.
- Vedligehold eller udskift sikkerheds- og anvisningsmærkater efter behov.
- Få havetraktoren serviceret af en autoriseret fagperson, der kun bruger identiske reservedele. På denne må sikre du, at havetraktoren er sikker at bruge.
- Genoplad kun med opladeren fra fabrikanten. Hvis en oplader, der er beregnet til én slags batteripakke, bruges med en anden batteripakke, kan det medføre brandfare.

8 TRANSPORT OG OPBEVARING

8.1 TRANSPORT

▲ ADVARSEL

Vær ekstra forsigtig, når havetraktoren læsses på og losses af en trailer. Tryk på knappen til kørsel med lav hastighed, og styr forsigtigt hastigheden med kørehåndtagene. Altid tilbage på traileren, når den læsses på. Når plæneklipperens læsses på eller losses af, må den ikke komme over den anbefalede maksimale driftsvinkel på 15°. Hvis dette ikke overholdes, kan det føre til tab af kontrol, som kan være livsfarligt eller føre til alvorlige personskade eller materielle skader.

▲ ADVARSEL

Vær forsigtig, når plæneklipperen læsses på eller losses af en trailer. Sørg for, at klippedækket hæves helt op, så det ikke rammer rampen. Plæneklipperens hjul kan køre ud over rampen eller traileren, så plæneklipperen drejer eller vælter, hvilket kan være livsfarligt eller føre til alvorlige personskader.

1. Plæneklipperen skal parkeres på en plan overflade.
2. Hæv klippedækket helt op.
3. Placer og fastspænd rampe til traileren i henhold til producentens anvisninger.

i BEMÆRK

Vi anbefaler, at du bruger en læsserampe i fuld bredde, der er mindst 1 fod bredere end plæneklipperen, så du minimerer risikoen for, at plæneklipperens hjul kører ud over siden af rampen.

4. Bak langsomt plæneklipperen op på rampen og ind i traileren.
5. Nederste plæneklipperdæk helt.
6. Indstil parkeringsbremsen.
7. Sluk plæneklipperen og fjern nøglen.
8. Spænd plæneklipperen fast efter behov med stropper eller kabler, så den ikke kan bevæge sig under transport.

▲ ADVARSEL

For at undgå utilsigtet start eller bevægelser, der kan føre til alvorlige personskader, skal startnøglen altid tages ud og parkeringsbremsen skal trækkes, før plæneklipperen transporteres.

8.2 RENGØRING OG OPBEVARING

8.2.1 RENGØR MASKINEN

- Fjern eventuel ophobning af græs og blade på eller omkring motordækslet (motoren må ikke skylles med vand fra en højtrykspistol).
- Tør regelmæssigt plæneklipperen af ren med en tør klud.
- Hvis skidt samler sig på undersiden af plæneklipperen under brug, skal du stoppe motoren, slukke for maskinen og skrabe den ren med et passende værktøj.

8.2.2 RENGØR PLÆNEKLIPPERDÆKKET

Se figur 18

- Sæt parkeringsbremsen i parkeringsrillerne.
- Sænk plæneklipperens dækhøjde helt ned.
- Sæt den medfølgende hurtigkobling på vaskehullet til haveslangen.
- Sæt haveslangen fast på vaskehullet på plæneklipperens dæk med hurtigkoblingen. Vaskehullet er på venstre side af plæneklipperens dæk.
- Tænd for vandet.
- Træk i PTO-kontakten for at starte klingerne, og skru helt op for klinge-hastigheden.
- Skyl vand under dækket i cirka et minut.
- Stop klingerne, ved at trykke PTO-kontakten nedad.

- Sluk for vandet og tag haveslangen og hurtigkoblingen af vaskehullet.
- Tag hurtigkobling af haveslangen, og gem den væk til senere brug.
- Sluk plæneklipperen helt.

8.2.3 OPBEVARING AF MASKINEN

Maskinen forberedes til opbevaring på følgende måde.

- Rengør maskinen som beskrevet i det foregående afsnit.
- Se klingens efter, og skift eller slib den, hvis nødvendigt (se afsnittet Vedligeholdelse).
- Maskinen må ikke opbevares ved siden af ætsende materialer som f.eks. gødning eller stensalt.
- Opbevar maskinen uden for børns rækkevidde.
- Maskinen må ikke tildækkes med solide plastikkbeklædninger. Plastikkbeklædninger opfanger fugt omkring maskinen, som danner rust og korrosion på maskinen.
- Kontroller grundigt, om der er slidte eller beskadigede dele, der skal skiftes. Hvis så, skal delene bestilles hos forhandleren.
- Kontakt venligst vores servicecenter, og få maskinen ordentligt smurt.
- Lad batterierne helt op, og sørg for at de er i god stand.
- Dækkene må ikke tømmes for luft.
- Maskinen skal opbevares på et ordentligt ventileret, rent og tørt sted, da batteriopladeren ikke må bruges i våde omgivelser.
 - Hold altid batterierne fuldt opladet. Det er især vigtigt at undgå batteriskader, når temperaturen er under 0 °C (32 °F).
 - Slut opladeradapteren til opladningsporten og til batterierne, som beskrevet i afsnittet Opladningsadapter i afsnittet Elektrisk system.
 - Sæt opladeren i en korrekt stikkontakt. Se afsnittene Batterioplader, Batterioplading og Opladningsanbefalinger i kapitlet Elektrisk system for flere oplysninger om brug af opladeren og opladning af batterierne.
 - For at maksimere batteriets levetid, er det bedst at lade batterierne helt op lige efter hver brug.

8.2.4 FORBEREDELSE TIL BRUG EFTER OPBEVARING

Følgende trin skal udføres, før plæneklipperen tages i brug, hvis den ikke har været brugt i længere tid:

- Oplad batterierne helt.
- Kontroller dæktrykket og pump dækkene op efter behov.
- Kør kort med plæneklipperen, og se alle systemer og dele efter, så du er sikker på at de virker ordentligt.

9 TROUBLESHOOTING

PROBLEM	MULIG ÅRSAG	LØSNING
Køretøjet bevæger sig ikke.	Se, om batteripakken er sat i batterirummet Cramer Se, om du bruger den rigtige batteripakke.	For at køretøjet kan virke, skal der mindst være 1 Cramer batteripakke i batterirummet, som skal være et originalt batteri.
	Batteriet er ikke opladet.	Se, om der er strøm på batteriet.
	Se, om styrehåndtagene er i parkeringsbremsepositionen.	Sørg for, at venstre og højre styrehåndtag ikke er i parkeringsbremsepositionen.
	Ingen sidder på sædet, eller førertilstedeværelseskontakten er ikke lukket.	Sørg for, at føreren sidder på sædet.
	Venstre og højre parkeringskontakt er ikke i startpositionen, når der tændes for strømmen.	Sæt styrehåndtagene i parkeringsbremsepositionen, og start maskinen igen. Hvis den stadig ikke starter, bedes du kontakte det relevante Cramer eftersalgspersonale.
	Batterirummet er i dvaletilstand.	Sluk nøglen, og vent i mindst 5 sekunder, før du starter maskinen igen.
Pludseligt nedbrud under kørslen	Batteriet vil ikke lade op.	For at køretøjet kan køre, skal der mindst være 1 Cramer batteripakke i batterirummet. Sørg for, at der er strøm på batteripakken, og at du bruger en original batteripakke.
	Ujævne og knoldede veje, der har afbrudt førertilstedeværelseskontakten.	Sæt styrehåndtagene i parkeringsbremsepositionen, og start maskinen igen.
	Fejl i venstre/højre accelerator.	Kontakt Cramer vores eftersalgsservice.
	Fejl i styreenheden til drivsystemet	Kontakt Cramer vores eftersalgsservice.
Klingen virker ikke, når der trækkes i PTO-kontakten.	Der er ikke sat en batteripakke i batterirummet, der er fra Cramer.	For at køretøjet kan køre, skal der mindst være 1 Cramer batteripakke i batterirummet. Sørg for, at der er strøm på batteripakken, og at du bruger en original batteripakke.
	Batteristrømmen er under 5 %.	Kontroller batteristrømmen. Hvis batteristrømmen er lav, skal batteriet oplades.
	Førertilstedeværelseskontakten er ikke lukket.	Sørg for, at føreren sidder på sædet.
	Klingekontakten (PTO) er ikke i startpositionen, før maskinen tændes.	Tryk på PTO-kontakten, og træk den op igen.
	Motor klingens er blokeret, eller en anden beskyttelsesfunktion er slået til.	Sørg for, at der ikke er ukrudt eller andre fremmedlegemer i forbindelsen mellem klingens og motoren, så du sikrer at klingens drejer jævnt. Det anbefales at hæve dækket og starte klingens, før dækket justeres til det nødvendige udstyr.
	Styreenheden til drivsystemet virker ikke.	Find fejlkoden, der vises på skærmen.
Bladet stopper, når der klippes græs.	Klinge-styreenheden virker ikke.	Find fejlkoden, der vises på skærmen.
	Klingemotoren er overbelastet.	Rengør indersiden af dækket. Sørg for, at klingens drejer jævnt. Tryk på PTO-kontakten, start maskinen igen og reducer klingebelastningen, enten ved at hæve dækket eller ve, at sænke kørehastigheden.

PROBLEM	MULIG ÅRSAG	LØSNING
	Batteripakkens temperatur er for høj.	Batteripakken må ikke bruges umiddelbart efter den er ladet op, ellers kan batteripakkens temperaturbeskyttelsesfunktion gå i gang.
	Batteristrømmen er under 5 %.	Batteristrømmen er lav. Oplad batteriet.
	Klingen har ramt et fremmedlegeme, som har fået den til at stoppe.	Sluk nøglen, og vent i mindst 5 sekunder, før du starter maskinen igen.
	Styreenheden til drivsystemet virker ikke.	Find fejlkoden, der vises på skærmen.
Plæneklipperen skærer græsset ujævnt, og højdeforskellen er meget stor.	Bladet er stumpet.	Poler bladet i henhold til manualen.
	Bladet er bøjet.	Skift den bøjede klinge. Klinge skal skiftes i henhold til vejledningerne, og sørg for at bruge beskyttelsesudstyr.
	Dækket er ikke fladt.	Udjævn dækket i henhold til vejledningerne, så du er sikker på, at højden på venstre og højre side er ens.
Den faktiske klippehøjde svarer ikke til den valgte klippehøjde.	Løse spændeboltene på dækket.	Juster dækkets spændebolte, så du er sikker på at dækket er spændt ordentligt fast. Bemærk: Dækket skal udjævnes igen, når monteringsboltene er blevet justeret.
	Dækket er blevet alvorligt slidt eller beskadiget.	Skift dækket med et nyt.
Plænen klippes unormalt	Plænen er for våd.	Før plænen klippes, skal du kontrollere græssets tilstand. Hvis græsset er for vådt, skal du vente på, at græsset tørrer. Vent, indtil plæneduggen forsvinder, før plænen klippes.
	Plæneklipperen er indstillet til at klippe for meget græs ad gangen.	Hvis græsset er for tæt og højt, skal du hæve dækket, og undgå at klippe tæt græs så meget som muligt.
For store maskinvibrationer	Klingerne er løse.	Slib klingerne, som beskrevet i brugsvejledningen.
	Klingerne er sløve.	Skift den bøjede klinge. Sørg for, at skifte klingen rigtigt i henhold til vejledningerne, og sørg for at bruge beskyttelseshandsker.
	Ujævnt dæk.	Udjævn dækket i henhold til vejledningerne, så du er sikker på, at højden på venstre og højre side er ens.
	Løstsiddende dæk.	Spænd dækket fast med boltene.
	Plæneklipperen er indstillet til at klippe for meget græs ad gangen.	Hvis græsset er for tæt og højt, skal du hæve dækket. Prøv at undgå, at klippe tæt græs.
Der er rester af græs eller skidt tilbage på græsplænen, når den er blevet klippet.	Plæneklipperen er indstillet til at klippe for meget græs ad gangen.	Hvis græsset er for tæt og højt, skal dækket hæves. Hvis græsset er højere end 15 cm, skal det klippes over to omgange, for at opnå en pæn klipning. Undgå, at klippe tæt græs.
	Græsset er for vådt.	Kontroller græsplænenes tilstand, før den klippes. Hvis græsset er for vådt, skal du vente indtil det tørrer. Vent, indtil plæneduggen forsvinder, før plænen klippes.
	Kørehastigheden er for hurtig.	Sænk kørehastigheden.
	Klingernes hastighed er for langsom under klipningen.	Forøg klingernes hastighed.
Kort klippetid	Klipning af tæt græs, kan føre til kort klippetid.	Hvis du hæver dækket eller sænker klingens hastighed, kan det forlænge plæneklipperens driftstid på en opladning.

PROBLEM	MULIG ÅRSAG	LØSNING
Plæneklipperen løber løbsk	Forskelligt dæktryk	Kontroller plæneklipperens dæktryk regelmæssigt i henhold til brugsvejledningen.
Køretøjet starter ikke efter det er blevet vasket.	Forkert rengøring, hvor vandet muligvis er trængt ind i LED-skærmen, batterirummet eller andre elektroniske dele.	<ol style="list-style-type: none"> 1. Følg instruktionerne for at rengøre maskinen. 2. Hvis køretøjet ved et uheld efterlades i regn, skal det sættes på et tørt sted i 12 timer eller blæses tørt før brug. 3. Kontakt Cramer vores eftersalgsafdeling.
Plæneklipperen er blokeret.	Ukrudt og affald har hobet sig op under dækket.	Følg vejledningerne rengøring af maskinen, hver gang den har været i brug.
Maskinen er parkeret, men den glider hurtigt på skråninger.	Alvorligt dækslitage.	Kontakt eftersalgspersonalet for at udskifte dækkene.
	Den elektromagnetiske bremse er beskadiget eller den er meget slidt.	Kontakt eftersalgspersonalet for at udskifte den elektromagnetiske bremse.
	Den elektromagnetiske bremse frigives manuelt.	Se elektromagnetiske bremse efter for skader, og nulstil den til startpositionen.

10 TECHNICAL DATA

Modelnummer	82ZT107
Spænding	82 V
Køretøjets totalvægt	106±3 kg
Længde	170 cm
Højde	117 cm
Bredde (med udstødning)	135 cm
Bredde (uden afladning)	107 cm
Dækbredde	107 cm
Hastighed ved fremadkørsel	0-7.5 mil per time.
Hastighed ved baglæns kørsel	0-3 mil per time.
Klippehøjdeområde	3.81-11.4 cm
Klippehøjdens justeringsområde	7 stk.
Hastighed uden belastning	2400/3000/3200 RPM
Opladningstid	4 h (med 8 En oplader)
Motoreffekt	1.2 kW (bladmotor)
	1.2 (drivmotor)
MAKS. hældning	15°
Antal klinger (udstødning/jorddækning)	2 stk.
Målt lydtrykniveau	$L_{pA} = 85.63 \text{ dB(A)}$, $K_{pA} = 3 \text{ dB (A)}$
Målt lydeffektniveau	$L_{wA} = 98.61 \text{ dB (A)}$
Garanteret lydeffektniveau	$L_{wA,d} = 100 \text{ dB (A)}$
Vibration	Arme: $\leq 2.5 \text{ m/s}^2$, $K = 1.5 \text{ m/s}^2$
	Krop: $\leq 2.5 \text{ m/s}^2$, $K = 1.5 \text{ m/s}^2$

11 BEGRÆNSET GARANTI

11.1 HVAD ER DÆKKET AF DENNE GARANTI

Cramer giver kun følgende garanti til den oprindelige køber ("Ejer") - garantien kan ikke overdrages:

A. Brug i beboelsesområder: Cramer Produkter, der er beregnet til normale boligformål*, er garanteret i fem (5) år eller 1.500 timers brug i alt (alt efter hvad der indtræffer først) fra købsdatoen på alle materialer og fremstilling af chassis, dæk og batterier. Forbrugsstoffer såsom dæk og klinger er omfattet af en garanti i tredive (30) dage fra købsdatoen. Hvis ejeren inden for denne garantiperiode opdager en defekt i materialer eller fremstillingen:

- Ejeren skal omgående underrette Cramer eller en autoriseret forhandler skriftligt, via e-mail, telefonopkald, app eller personligt om defekten. En sådan underrettelse må under ingen omstændigheder modtages af Cramer, eller en autoriseret forhandler, senere end fem (5) år efter købsdatoen.
- Inden for en rimelig tid efter sådan en underrettelse og godkendelse af den garantiberettigede defekt, vil Cramer rette enhver fejl i materiale eller fremstilling af Cramer produktet, ved - efter eget valg - at reparere eller udskifte dele med enten nye eller brugte reservedele.
- En sådan reparation, herunder reservedele og arbejds løn, skal ske på bekostning af Cramer kun til den oprindelige ejer.

B. Kommerciel brug: Cramer Produkt, der anvendes til kommerciel og institutionel brug, er garanteret i fem (5) år eller 1.500 timers brug i alt (alt efter hvad der indtræffer først) fra købsdatoen på alle materialer og fremstilling af chassis, dæk og batterier. Forbrugsvarer (herunder, men ikke begrænset til, dæk og klinger) er omfattet af garantien i tredive (30) dage fra købsdatoen. Hvis ejeren inden for denne garantiperiode opdager en defekt i materialer eller fremstillingen:

- Ejeren skal omgående underrette Cramer eller en autoriseret forhandler skriftligt, via e-mail, telefonopkald, app eller personligt om defekten. En sådan underrettelse må under ingen omstændigheder modtages af Cramer, eller en autoriseret forhandler, senere end fem (5) år efter købsdatoen.
- Inden for en rimelig tid efter sådan en underrettelse og godkendelse af den garantiberettigede defekt, vil Cramer rette enhver fejl i materiale eller fremstilling af Cramer produktet, ved - efter eget valg - at reparere eller udskifte dele med enten nye eller brugte reservedele.
- En sådan reparation, herunder reservedele og arbejds løn, skal ske på bekostning af Cramer kun til den oprindelige ejer (kommerciel).

i BEMÆRK

Hvis batterierne ikke vedligeholdes rigtigt og holdes fuldt opladede, reduceres batteriets levetid og batterigarantien annulleres. Bestemmelserne i denne begrænsede garanti gælder ikke for fejl på grund af:

- Misbrug eller forsømmelse såsom: Vandskade, løse ledninger eller rustet eller korroderet hardware.
- Mangel på rigtig vedligeholdelse; skade som følge af forkert montering af batteriet; forsømmelse, brud, udsættelse for ekstreme temperaturforhold, herunder - men ikke begrænset til - frysende temperaturer, varme temperaturer, brug eller opbevaring i nærhed af varmekilder, herunder varmeapparater eller brand, udsættelse for vand eller andre stoffer, ødelæggelse, brug af batteriet i en overopladet eller ikke opladet tilstand.
- Et batteri, der lades op med andre systemer end den originale batterioplader.

Fodnote: *** Normale boligformål", som brugt heri, betyder brug af produktet på samme grund som dit hjem. Brug på mere end ét sted anses for at være kommerciel brug, hvorefter garantien for kommerciel brug gælder.*

11.2 HVEM ER ANSVARLIG FOR GARANTISERVICEN

Al garantiservice skal udføres af en Cramer autoriseret forhandler eller Cramer autoriseret servicetekniker. Servicekald og/eller transportomkostninger for produktet til og fra den autoriserede forhandler, der skal udføre garantiservicen, skal betales af produktets ejer. Kontakt en autoriseret forhandler for at få din garantiservice.

11.3 HVAD ER IKKE DÆKKET AF DENNE GARANTI

Cramer giver ikke garanti for følgende:

- Reparationer, der er udført af uautoriserede personer.
- Skader forårsaget af brug af Cramer produkt til andre formål end dem, det er beregnet til.
- Skader, som følge af katastrofer såsom brand, oversvømmelse, vind og lynnedslag.

- Skader, som følge af forsømmelse, misbrug, unormal brug, forkert eller urimelig brug, ulykker, uagtsomhed eller misbrug, såsom vandskader.
- Reparationer eller udskiftninger som følge af brug af uautoriserede dele eller tilbehør.
- Reparationer eller udskiftning som følge af ændringer eller ombygning, hvis det bestemmes, at Cramer, som har en negativ påvirkning på udstyrets drift, ydeevne eller holdbarhed.
- Produkter, komponenter eller dele, der ikke er fremstillet af Cramer.
- Produkter, der har fået ændret deres identifikation, herunder, men ikke begrænset til, serienumre, der er blevet fjernet og/eller gjort ulæselige.
- Værdiforringelse eller skader som følge af normalt slid, manglende rimelig og rigtig vedligeholdelse, manglende overholdelse af produktets brugsvejledninger, vedligeholdelses- og justeringsvejledninger eller andre vejledninger fra Cramer.
- Normal vedligeholdelsesdele og service, herunder, men ikke begrænset til, smøremidler, forbedrede dele, klinger, klingeslibning, lejer, bremse eller styretøjsjusteringer.
- Produkter med en ikke-godkendt programmering til det pågældende produkt, herunder ændringer af parametre, eftermarkedsprogrammering eller justeringer og alle ikke-godkendt ændringer af komponenter, elektronik eller software.

11.4 FRASKRIVELSE AF GARANTI

Ovenstående garantier træder i stedet for alle andre garantier, udtrykte eller underforståede, herunder, men ikke begrænset til, de stillende garantier for salgbarhed og egnethed til et bestemt formål. Men hvis Cramer produktet er købt som et forbrugerprodukt, er enhver underforstået garanti for salgbarhed eller egnethed til et bestemt formål begrænset til varigheden af denne begrænsede garanti. Nogle lande tillader ikke begrænsninger for, hvor længe en underforstået garanti varer, så ovenstående begrænsning gælder muligvis ikke for dig. Denne garanti giver dig bestemte juridiske rettigheder, men du har muligvis også andre rettigheder. Dette varierer fra land til land.

11.5 BEGRÆNSNING AF RETSMIDLER

I intet tilfælde kan Cramer holdes ansvarlig for særlige, tilfældige eller følgeskader baseret på brud på garantien, kontraktbrud, uagtsomhed, objektivt erstatningsansvar eller nogen anden juridisk teori. Sådanne skader omfatter, men er ikke begrænset til:

- Tab af fortjeneste
- Tab af besparelser eller indtægter
- Tab af brugen af Cramer Produktet eller eventuelt tilhørende udstyr
- Kapitalomkostninger
- Omkostninger til erstatningsudstyr, faciliteter, tjenester eller nedetid
- Krav fra tredjeparter, herunder kunder, og skade på ejendom

11.6 TIDSFRIST

Medmindre andet er fastsat i landets lovgivning:

Enhver sag om brud på garantien skal anlægges inden for fem (5) år eller tres (60) måneder fra købsdatoen, når produktet bruges et hjemmet eller i erhverv.

Hvis fremstillingsdatoen overstiger en rimelig tidsramme forud for kundens første køb, Cramer garantien kan være underlagt yderligere begrænsninger.

11.7 INGEN ANDRE GARANTIER

Denne aftale skal forstås som værende den fuldstændige og eksklusive aftale mellem parterne, der erstatter alle tidligere aftaler, mundtlige eller skriftlige, og al anden kommunikation mellem parterne om emnet i denne aftale.

11.8 EJERENS ANSVAR

Du skal vedligeholde dit Cramer produkt ved at følge vedligeholdelsesprocedurerne, der står i brugsvejledningen. Sådant rutinemæssig vedligeholdelse, uanset om den udføres af en forhandler eller af dig, skal du selv betale for.

Denne maskine, som alt andet drevet udstyr, er potentielt farligt, medmindre den bruges rigtigt. Alle brugere af dette produkt skal være forsigtige og de skal altid være opmærksom på sikkerheden. Alle brugere skal, før produktet Cramer tages i brug, læse brugsvejledningen omhyggeligt, særligt vedrørende betjening og sikkerhed af maskinen. De skal også læse alle sikkerhedsadvarslerne på selve maskinen.

11.9 FORDELING AF RISICI

Denne aftale fordele risikoen for produktfejl mellem Cramer og ejeren. Denne fordeling anerkendes af begge parter og afspejles i varenes pris.

11.10 GARANTIREGISTRERING

Medmindre andet er fastsat i landets lovgivning:

1. Ejere skal registrere enheden hos Cramer inden for ti (10) dage efter købsdatoen.
2. Registreringen kan udfyldes ved at udfylde garantiregistreringsformularen, som findes i brugsvejledningen.
3. Registrering kan også udfyldes i vores onlineformular på cramertools.com eller i vores app, hvor du skal fremlægge købsbeviset (kvittering med købsdato).

12 EF-OVERENSSTEMMELSESERKLÆRING

Navn og adresse på fabrikanten:

Navn: Greenworks Tools Europe GmbH
 Adresse: Brunnenweg 17, 64331 Weiterstadt, Tyskland

Navn og adresse på den person, der er bemyndiget til at udarbejde den tekniske fil:

Navn: Ralf Pankalla
 Adresse: Brunnenweg 17, 64331 Weiterstadt, Tyskland

Heraf erklærer vi, at produktet

Kategori: Zero-turn plæneklipper
 Model: 82ZT107
 Serienummer: Se typeskiltet på produktet
 Produktionsår: Se typeskiltet på produktet

- er i overensstemmelse med de relevante bestemmelser i maskindirektivet 2006/42/EF.
- er i overensstemmelse med bestemmelserne i følgende andre EF-direktiver:
 - 2014/30/EU
 - 2011/65/EU & (EU)2015/863

Desuden erklærer vi, at følgende (dele/klausuler fra) europæiske harmoniserede standarder er blevet brugt:

- EN 62841-1, EN ISO 5395-1, EN ISO 5395-3, EN ISO 14982, IEC 62321-3-1, IEC 62321-4, IEC 62321-5, IEC 62321-6, IEC 62321-7-1, IEC 62321-7-2, IEC 62321-8

Sted, dato: 11.11.2022

Underskrift: Ted Qu, kvalitetsdirektør

Ted Qu

DA

1 Aprašymas.....	335	7.3 Tepimas.....	353
1.1 Apžvalga.....	335	7.4 Priveržimo jėgos vertės.....	353
1.2 Valdymo skydelis.....	335	7.5 Sudėtinės baterijos techninė priežiūra...	353
2 Įrenginio išpakavimas.....	335	7.6 Baterijų skyriaus filtro techninė priežiūra	353
3 Įrengimas.....	336	7.7 Techninė priežiūra.....	354
3.1 Sėdynės tvirtinimas.....	336	8 Gabenimas ir laikymas.....	355
3.2 Mulčiavimo dangčio tvirtinimas.....	336	8.1 Gabenimas.....	355
3.3 Vairalazdžių tvirtinimas.....	336	8.2 Valymas ir laikymas.....	355
3.4 Neutralios pavaros apėjimo rankenėlė...	337	9 Trikčių šalinimas.....	357
3.5 Apsaugos nuo skutimo ratukai.....	337	10 Techniniai duomenys.....	359
4 Darbo instrukcijos.....	337	11 Ribotoji garantija.....	360
4.1 Prieš pradėdant darbą.....	337	11.1 Šios garantijos aprėptis.....	360
4.2 Darbas su įrenginiu.....	339	11.2 Kas privalo vykdyti garantinį remontą.....	360
5 Elektros sistema.....	344	11.3 Kada garantija negalioja.....	360
5.1 Elektros sistemos sauga.....	344	11.4 Garantijos ribojimas.....	361
5.2 Informacija apie elektros sistemą.....	344	11.5 Kompensacijų ribojimas.....	361
5.3 Skaitmeninis ekranas.....	344	11.6 Laiko riba.....	361
6 Klaidos.....	345	11.7 Jokių kitų garantijų.....	361
6.1 Klaidų kodai.....	346	11.8 Savininko atsakomybė.....	361
7 Techninė priežiūra.....	351	11.9 Rizikos paskirstymas.....	362
7.1 Traktoriuko peilių techninė priežiūra.....	351	11.10 Garantijos registravimas.....	362
7.2 Padangos.....	352	12 EB atitikties deklaracija.....	362

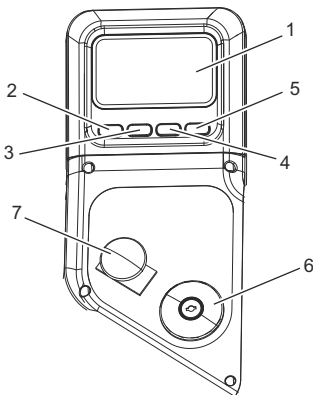
1 APRAŠYMAS

1.1 APŽVALGA

Žr. atskirą paveikslų lapą 1-19

- | | | | |
|----|--|----|-------------------------|
| 1 | Vairalazdės | 20 | Serijos numeris |
| 2 | Sėdynės reguliavimo svirtis | 21 | Susiejimo kodas |
| 3 | Priekinis žibintas | 22 | QR kodas |
| 4 | Priekiniai ratai | 23 | Baterijų skyrius |
| 5 | Nuopjovų išmetimo lovelis | 24 | Baterija |
| 6 | Varantieji ratai | 25 | Baterijos fiksatorius |
| 7 | Valdymo skydelis | 26 | Maitinimo išjungimas |
| 8 | USB jungtis | 27 | Maitinimo įjungimas |
| 9 | Puodelio laikiklis | 28 | Paleidimo raktelio anga |
| 10 | Pjovimo platforma | 29 | Varžtas |
| 11 | Apsaugos nuo skutimo ratukai | 30 | Poveržlė |
| 12 | Platformos aukščio reguliavimo svirtis | 31 | Peilis |
| 13 | Sėdynės pagrindas | 32 | Sodo žarna |
| 14 | Sėdynės kištukas | 33 | Greitojo sujungimo mova |
| 15 | Mulčiavimo dangtis | 34 | Plovimo jungtis |
| 16 | Atraminis žiedas | 35 | Alyvos išleidimo anga |
| 17 | Fiksavimo apkabos | 36 | Alyvos lygio matuoklis |
| 18 | Tvirtinimo strypas | | |
| 19 | Neutralios pavaros apėjimo rankenėlė | | |

1.2 VALDYMO SKYDELIS



Nr .	Pavadinimas	Funkcija
1	Skaitmeninis ekranas	Šiame ekrane rodoma svarbi informacija apie elektros sistemą. Daugiau informacijos ieškokite skyriuje apie elektrą.
2	Peilio variklio greičio reguliatorius / grįžimas atgal	Pradžios tinklalapyje galima reguliuoti peilio sukimosi greitį (ciklinį). Paspauskite mygtuką grįžimui į ankstesnį puslapį.
3	Naršymo meniu mygtukas / aukštesnis puslapis	Sukite paskutiniam puslapiui atversti skaitmeniniame ekrane. Grįžkite į pradžios tinklalapį.
4	Žibintų jungiklis / žemesnis puslapis	Pradžios tinklalapyje įjunkite ir išjunkite žibintus. Sukite kitam puslapiui atversti skaitmeniniame ekrane.
5	Važiavimo greičio reguliatorius / patvirtinimas	Pradžios tinklalapyje galima reguliuoti važiavimo greitį (ciklinį). Paspauskite mygtuką patvirtinimui.
6	Ijungimo jungiklis	Šiuo jungikliu traktoriukas įjungiamas ir išjungiamas.
7	Pjovimo platformos peilių įjungimo ir išjungimo jungiklis (PTO)	Šiuo jungikliu paleidžiami peilių varikliai. Patraukite jungiklį į viršų peiliams paleisti ir nuspauskite žemyn jiems sustabdyti.

! SVARBU

Niekada nebandykite įjungti peilių variklių, kai pjovimo platforma apkrauta. Galite sugadinti variklius arba platformą.

LT

2 ĮRENGINIO IŠPAKAVIMAS

▲ ĮSPĖJIMAS

Prieš naudodami įsitikinkite, ar tinkamai surinkote įrenginį.

▲ ĮSPĖJIMAS

- Jeigu yra pažeistų dalių, įrenginio nenaudokite.
- Jei trūksta dalių, įrenginio nenaudokite.
- Jeigu dalys pažeistos arba jų trūksta, kreipkitės į techninės priežiūros centrą.

1. Atidarykite pakuotę.
2. Perskaitykite dėžėje esančius dokumentus.
3. Iš dėžės išimkite visas nesumontuotas dalis.
4. Išimkite įrenginį iš dėžės.
5. Dėžę ir pakavimo medžiagas išmeskite laikydamiesi galiojančių atliekų tvarkymo reikalavimų.

▲ ĮSPĖJIMAS

Dėl savo saugumo bateriją prijunkite tik iki galo surinkę visą įrenginį.

3 ĮRENGIMAS

3.1 SĖDYNĖS TVIRTINIMAS

Žr. paveikslą 3

1. Uždėkite sėdynę ant jos pagrindo ir sulygiuokite skyles, kaip parodyta.
2. Įstatykite varžtus, uždėkite poveržles, veržles ir tvirtai priveržkite.
3. Ant veržlių uždėkite įvoves.
4. Patikrinkite, ar sėdynė tinkamai pritvirtinta.
5. Prijunkite prie įrenginio sėdynės kištuką.

3.2 MULČIAVIMO DANGČIO TVIRTINIMAS

Žr. paveikslą 4

Pristatomas traktoriukas nustatytas šoniniam žolės nuopjovų išmetimui. Jei žolę norite mulčiuoti:

1. Ant traktoriuko korpuso iškyšos uždėkite mulčiavimo dangtį.
2. Mulčiavimo dangčio skyles sulygiuokite su skylėmis traktoriuko korpuse.
3. Įstatykite ar uždėkite ir priveržkite varžtus, sraigtus, fiksavimo apkabas ir atraminius žiedus.

3.3 VAIRALAZDŽIŲ TVIRTINIMAS

Žr. paveikslą 5-6

▲ ĮSPĖJIMAS

Kairiąją ir dešiniąją vairalazdės reikia sureguliuoti taip, kad neutralioje padėtyje jos lygiuotų viena su kita. NIEKADA vairalazdžių netvirtinkite skirtingame darbiname aukštyje.

1. Pakelkite vieną vairalazdę taip, kad jos skylės susilygintų su atitinkamomis tvirtinimo strypo skylėmis.
2. Pasirinkite pageidaujama vairalazdės tvirtinimo aukštį. Į skyles įstatykite varžtus su poveržlėmis.
3. Vairalazdę priveržkite 13 x 16 mm raktu.
4. Tokiu pačiu būdu pritvirtinkite ir kitą vairalazdę.

▲ PERSPĖJIMAS

Vairalazdės nepritvirtinkite atvirkščiai.

3.3.1 VAIRALAZDĖS

Abiem vairalazdėmis reguliuojamas traktoriuko greitis, važiavimo kryptis, stabdymas, neutralios pavaros užraktas ir stovėjimo stabdys. Vairalazdės naudojamos traktoriuko vairavimui, greitėjimui, lėtėjimui, sustabdymui ir krypties pakeitimui. Nustačius vairalazdes į stovėjimo stabdžio padėtį, traktoriukas nepajuda iš vietos.

i PASTABA

Visada važiuokite valdydami įrenginį abiem rankomis. Nevažiuokite laikydami tik viena ranka.

3.3.2 PROGRAMĖLĖS NAUDOJIMAS

Žr. paveikslą 9-10

1. Apsilankykite įrenginių valdymo svetainėje: fleet.cramertools.com
2. Susikurkite paskyrą ir po to prisijunkite.
3. Pakvieskite prisijungti kitus naudotojus jūsų organizacijoje.
4. Nuskenaukite QR kodą, atsisiųskite programėlę ir prisijunkite.
5. Pridėkite įrenginį. Susiraskite ant traktoriuko serijos numerį, susiejimo kodą ir QR kodą, kurie atitinka šiametį šiuo būdu pateiktą etiketę. Nuskenaukite QR kodą arba jį nurašykite rankiniu būdu.

3.4 NEUTRALIOS PAVAROS APĖJIMO RANKENĖLĖ

Žr. paveikslą 7-8

1. Patraukite neutralios pavaros apėjimo rankenėlę į išorę, o po to žemyn, kad atrakintumėte ratą.
2. Įstumkite neutralios pavaros apėjimo rankenėles atgal, kad ratus užrakintumėte.

▲ ĮSPĖJIMAS

Niekada traktoriuku nevažiuokite įstūmę neutralios pavaros apėjimo rankenėlę. Prieš pradėdami važiuoti visada nustatykite neutralios pavaros apėjimo rankenėlę į pradinę padėtį! Priešingu atveju galite sugadinti savo traktoriuką ir netekti garantijos!

▲ ĮSPĖJIMAS

Niekada nebandykite atrakinti neutralios pavaros apėjimo rankenėles, kai su traktoriuku dirbate šlaite!

3.5 APSAUGOS NUO SKUTIMO RATUKAI

Žr. paveikslą 2

Apsaugos nuo skutimo ratukai yra standartinėje Cramer įrenginių komplektacijoje. Jie skirti vejos paviršiaus skutimui kiek įmanoma sumažinti, kai dirbama ant nelygaus paviršiaus. Nustatę pjovimo aukštį, sureguliuokite apsaugos nuo skutimo ratukus taip, kad jie nusileistų žemiau pjovimo platformos, tačiau nelieštų žemės. Jie visada turi būti 0,6–1,9 cm žemiau platformos. Kai traktoriukas stovi ant lygaus paviršiaus, ratukus galima nustatyti nuo 1,9 cm iki 4,4 cm žemiau peilių paviršiaus. Ratukus pakelkite arba nuleiskite pritvirtindami juos skirtingose ašiu skylytėse ratų laikikliuose (priklauso nuo modelio).

4 DARBO INSTRUKCIJOS

4.1 PRIEŠ PRADEDANT DARBĄ

4.1.1 SĖDYNĖS REGULIAVIMAS

Žr. paveikslą 11

▲ ĮSPĖJIMAS

Kiekvieną kartą prieš naudodami sėdynę patikrinkite, ar ji tvirtai priveržta prie pagrindo, kad traktoriukui pasvirus ar apvirtus ji nepajudėtų iš vietos.

1. Prieš pradėdami sėdynę reguliuoti, pastumkite abi vairalazdes į išorę į STOVĖJIMO STABDŽIO padėtį.
2. Atsisėskite ant sėdynės ir pakelkite jos reguliavimo svirtį.

Lietuvių k.

3. Taip laikydami svirtį, pastumkite sėdynę į pageidaujimą padėtį.
4. Prieš pradėdami važiuoti atleiskite svirtį ir patikrinkite, ar sėdynė tinkamai užfiksuota nustatytoje padėtyje.

▲ ĮSPĖJIMAS

Prieš pradėdami važiuoti įsitikinkite, ar sėdynė užfiksuota savo vietoje. Tinkamai neužfiksuotą sėdynę, vairuotojas gali prarasti stabilumą, nesuvaldyti traktoriuko ir sunkiai ar net mirtinai susižaloti.

4.1.2 PLATFORMOS PJOVIMO AUKŠČIO NUSTATYMAS

Žr. paveikslą 12

Prieš pradėdami darbą, pakelkite pjovimo platformą į tokį aukštį, kuris geriausiai tiktų jūsų vejai pjauti.

Platformos aukštį galima reguliuoti nuo 3.81-11.4 cm. Pjovimo platformą reikia pakelti pjaunant žolę, kad išvengtumėte kelmų, akmenų ar kitų kliūčių, kurios gali ją pažeisti.

▲ PERSPĖJIMAS

Kai reguliuojate platformos aukštį, tvirtai laikykite jos aukščio reguliavimo svirtį, kurią atleiskite tik tuomet, kai įstatsite į reikiamą plyšį. Greitai paleisdami iš rankos galite ją prisispausti ar sugnybti.

1. Sustabdykite traktoriuką ir atjunkite peilius.
2. Pasukite paleidimo raktelį į išjungimo padėtį ir įjunkite stovėjimo stabdį.
3. Jei pjovimo platformą norite pakelti, sugriebkite jos aukščio reguliavimo svirtį ir patraukite į kairę, kad ištrauktumėte iš plyšio, tuomet pastumkite link traktoriuko galo ir pastumkite į dešinę, kad įkištumėte į kitą plyšį ir užfiksuotumėte.
4. Jei pjovimo platformą norite nuleisti, sugriebkite jos aukščio reguliavimo svirtį ir patraukite į kairę, kad ištrauktumėte iš plyšio, tuomet pastumkite link traktoriuko priekio ir pastumkite į dešinę, kad įkištumėte į kitą plyšį ir užfiksuotumėte.

4.1.3 VAIRALAZDŽIŲ REGULIAVIMAS

Traktoriuko vairuotojas vairalazdes gali prisitaikyti, kad jam būtų patogiau valdyti. Atsukus varžtus su lizdine išdroža galvutėje, kurie viršutinę vairalazdės dalį pritvirtina prie apatinės, viršutinę vairalazdės dalį galima pasukti ir prisitaikyti. Abi vairalazdes reikia susireguliuoti taip, kad neutralioje padėtyje jos viena su kita lygiuotų.

4.1.4 SUDĖTINĖS BATERIJOS ĮSTATYMAS

Žr. paveikslą 13

Norėdami įsitikinti, ar traktoriuko baterijos iki galo įkrautos, patikrinkite baterijų įkrovos lygio indikatorius. Daugiau informacijos rasite baterijų vadove.

1. Pakelkite sėdynės pagrindą.
2. Pakelkite baterijų skyriaus dangtį.
3. Įstatykite sudėtinę bateriją į baterijų skyrių.

▲ ĮSPĖJIMAS

Baterijos briaunas įtaikykite į baterijos lizdo griovelius. Baterijos fiksatorius turi lengvai užfiksuoti bateriją jos skyriuje.

4.1.5 PRIEŠ PRADEDANT DIRBTI SU ĮRENGINIU

- Darbo zonoje neturi būti vaikų, pašalinių asmenų ir naminių gyvūnų.
- Pašalinkite iš darbo zonos visas šiukšles, kurias traktoriuko peiliai gali išsviesti į orą.
- Patikrinkite, kaip veikia stabdžiai.
- Patikrinkite oro slėgį padangose.
- Patikrinkite tvirtinimo detales, ar neatsipalaidavę.
- Patikrinkite visas apsaugas, ar jos savo vietose ir tinkamai veikia.
- Nuvalykite nuo traktoriuko šiukšles.
- Išbandykite apsauginės blokavimo sistemos veikimą.
- Nusistatykite į norimą padėtį sėdynę.

- Patikrinkite baterijų įkrovos lygį.

4.1.6 APSAUGINĖ PALEIDIMO BLOKAVIMO SISTEMA

Traktoriuke įrengta apsauginė paleidimo blokavimo sistema, kurią sudaro stovėjimo stabdžio jungikliai, vairuotojo sėdynės jungiklis ir pjovimo platformos peilių įjungimo ir išjungimo jungiklis.

Be to, traktoriuko apsauginė paleidimo blokavimo sistema yra skirta vairuotojui ir kitiems asmenims apsaugoti nuo atsitiktinio sužalojimo, jei traukos pavaros sistema netyčia įsijungtų.

Traktoriuko apsauginę paleidimo blokavimo sistemą tikrinkite kasdien prieš pradėdami darbą. Ši sistema yra svarbi traktoriuko apsaugos funkcija. Gedimo atveju ją reikia nedelsiant sutvarkyti. Traktoriuke įrengtas atskiras vairuotojo sėdynės jungiklis, kuris išjungia pavaros sistemą ir pjovimo platformos peilius, jei dirbant traktoriukui vairuotojas dėl kokios nors priežasties pakyla nuo sėdynės. Ši apsauginė funkcija apsaugo nuo traktoriuko nuvažiavimo ar vairuotojo atsitiktinio įstrigimo.

▲ ĮSPĖJIMAS

Apsauginės blokavimo sistemos negalima atjungti ar apeiti. Priešingu atveju įrenginys gali netikėtai pradėti dirbti ir sužaloti.

Sistemos tikrinimas:

1. Kad išbandytų sėdynės jungiklį, vairuotojas turi atsisėsti ant sėdynės.
2. Pasukite paleidimo raktelį ir paleiskite įrenginį.
3. Vairalazdes nustatykite į stovėjimo padėtį.
4. Patraukite į viršų PTO jungiklį, taip paleisdami peilių variklį.
5. Lėtai pakilkite nuo sėdynės. Pjovimo platformos peilių sistema turi sustoti.
6. Jei ši sistema nesustoja, vairuotojui pakilus nuo sėdynės, ir gedimo priežasties negalite nustatyti, nedelsdami kreipkitės į savo Cramer atstovą.

4.2 DARBAS SU ĮRENGINIU

4.2.1 ĮRENGINIO PALEIDIMAS

Žr. paveikslą 14

! PASTABA

Prieš pradėdami važiuoti traktoriuku įsitikinkite, kad aplink nėra pašalinių asmenų. Kam nors pasirodžius pjovimo zonoje, nedelsdami sustabdykite darbą ir tęskite tik pašaliniams asmenims pasitraukus iš pjovimo zonos.

1. Pakelkite pjovimo platformą į aukščiausią padėtį.
2. Įstatykite paleidimo raktelį ir pasukite į įjungimo padėtį.
3. Patraukite dešiniąją ir kairiąją vairalazdes į vidų.
4. Patraukite į viršų PTO jungiklį, taip paleisdami žolės pjovimo peilius.

! PASTABA

Peilius galima paleisti tik tuomet, kai vairalazdės nustatytos į NEUTRALIĄ padėtį! NIEKADA nebandykite paleisti peilių važiuodami traktoriuku!

5. Pastumkite vairalazdes į priekinę (D) padėtį ir važiuokite traktoriuku į pageidaujamą vejos pjovimo vietą.

! PASTABA

Būkite atsargūs, kai kertate žvyruotus takus ar grįstus įvažiavimus. Prieš juos pervažiuodami atjunkite peilius ir pakelkite pjovimo platformą į aukščiausią padėtį, kad kiek įmanoma sumažėtų rikošeto tikimybė. Važiuokite lėtai, kad neprarastumėte sukibimo su vejos paviršiumi ir suvaldytumėte įrenginį.

! PASTABA

Nebandykite keisti važiavimo pirmyn krypties į važiavimą atbuline eiga ir atvirksčiai, kai traktoriukas juda. Visada prieš keisdami kryptį visiškai sustokite.

i PASTABA

Atleidus vairalazdes jos atšoka atgal į neutralią padėtį, tačiau vis tiek rekomenduojama jas prilaikyti rankomis.

4.2.2 VAŽIAVIMAS TRAKTORIUKU

Paleidę traktoriuko traukos pavaros sistemą, vairalazdes įjunkite ir jas naudokite tokiu būdu:

▲ ĮSPĖJIMAS

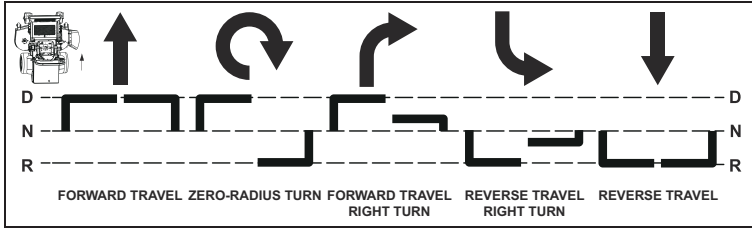
Prieš pradėdami važiuoti atbuline eiga visada įsitikinkite, ar įrenginio gale nieko nėra. Nepjunkite važiuodami atbuline eiga, nebent tai neišvengiama. Visada pasižiūrėkite žemyn ir atgal prieš pajudėdami atbuline eiga ir važiavimo atgal metu.

▲ ĮSPĖJIMAS

Vairalazdžių nerekomenduojama staigiai judinti, nes galite sugadinti elektrinės sistemos komponentus.

- **Jei norite važiuoti pirmyn**, pastumkite vairalazdes į priekį vienodu atstumu.
- **Jei norite važiuoti atgal**, patraukite vairalazdes atgal vienodu atstumu.
- **Jei norite pasukti kairėn**, dešiniąją vairalazdę į priekį iš neutralios padėties pastumkite toliau, nei kairiąją vairalazdę.
- **Jei norite pasukti dešinėn**, kairiąją vairalazdę į priekį iš neutralios padėties pastumkite toliau, nei dešiniąją vairalazdę.
- **Jei norite apsisukti vietoje**, vieną vairalazdę pastumkite į priekį, o kitą patraukite atgal. Tuomet varantieji ratai suksis priešingomis kryptimis.
- **Jei norite sustoti ar sumažinti greitį**, grąžinkite vairalazdes į neutralią padėtį. Važiuodami į priekį vairalazdes šiek tiek patraukite atgal. Važiuodami atbuline eiga vairalazdes šiek tiek pastumkite į priekį.
- **Avariniu atveju galite sustabdyti** dviem būdais:
 - Kai važiuojate pirmyn ar atbuline eiga, vairalazdes nedelsdami atitraukite į stovėjimo stabdžio padėtį. Kai važiuojate atbuline eiga, vairalazdes atsargiai, vengdami staigių judesių, pastumkite į priekį. Dėl bet kokio staigaus judesio traktoriuko priekis gali pakilti nuo žemės ir galite jo nesuvaldyti, patirdami sunkią ar net mirtiną traumą.
 - Paleidimo raktelį pasukite į išjungimo padėtį. Taip išjungsite traukos pavaros ir pjovimo platformos pavaros sistemas.
- **Jei norite siauroje vietoje apsisukti į dešinę**, kairiąją vairalazdę į priekį nuo neutralios padėties pastumkite toliau, nei dešiniąją, ir pradėkite sukstis. Po to abi vairalazdes atitraukite atgal už neutralios padėties, kad traktoriukas pradėtų judėti atgal. Dešiniąją vairalazdę atgal nuo neutralios padėties laikykite atitraukę toliau, nei kairiąją, kol traktoriuko galas apsisuks. Tuomet abi vairalazdes pastumkite į priekį už neutralios padėties, kad traktoriukas pradėtų važiuoti pirmyn. Kairiąją vairalazdę į priekį nuo neutralios padėties pastumkite toliau, nei dešiniąją, ir užbaikite posūkio manevrą.
- **Jei norite padidinti greitį**, abi vairalazdes į priekį nuo neutralios padėties pastumkite toliau. Kuo toliau jas pastumsite, tuo greičiau traktoriukas važiuos pirmyn. Kuo toliau atgal nuo neutralios padėties stumsite vairalazdes, tuo greičiau traktoriukas judės atbuline eiga.

TRAKTORIUKO PRIEKIS YRA ŠIA KRYPTIMI



N = NEUTRALI PADĖTIS

D = VAŽIAVIMO PADĖTIS

R = ATBULINĖS EIGOS PADĖTIS

Rodyklėmis parodyta traktoriuko judėjimo kryptis.



Kairioji vairalazdė

Dešinioji vairalazdė

4.2.3 ĮRENGINIO SUSTABDYMAS

▲ PAVOJUS

Niekada nebandykite staigiai stabdyti ar perjungti į atbulinę eigą, ypač manevruodami šlaite. Vairavimo mechanizmas yra pakankamai jautrus. Staigiai pakeitus vairalazdžių padėtį bet kuria kryptimi, traktoriukas gali taip sureaguoti, kad jūs sunkiai susižalotumėte.

1. Grąžinkite vairalazdes į neutralią padėtį. Atstumkite vairalazdes į išorę į stovėjimo stabdžio padėtį.
2. Įstumkite žemyn pjovimo platformos peilių įjungimo ir išjungimo jungiklį (PTO), sustabdydami peilius.
3. Paleidimo raktelį maitinimo jungiklyje pasukite į išjungimo padėtį.

▲ PERSPĖJIMAS

Paleidimo raktelį iš įrenginio rekomenduojama ištraukti, kad nekiltų atsitiktinio traktoriuko paleidimo pavojus.

4.2.4 USB JUNGTIES NAUDOJIMAS

Žr. paveikslą 15

Prijungus prie USB įkrovimo jungties, 5 V ir 2,1 A nuolatine srove galima įkrauti mobilųjį telefoną, MP3 grotuvą ar kitus prietaisus su USB jungtimi. Daugiau informacijos apie savo prietaiso įkrovimo reikalavimus rasite šio prietaiso naudotojo vadove.

Savo prietaisui įkrauti vieną USB laido (nėra komplekte) galą prijunkite prie prietaiso, o kitą galą – prie traktoriuko USB įkrovimo jungties.

ⓘ PASTABA

Nebandykite krauti prietaisų, kurių vardinė srovė viršija 2,1 A, nes galite sugadinti USB įkrovimo jungtį ir (ar) traktoriuką.

ⓘ PASTABA

USB jungtis veikia tik įjungus traktoriuką.

▲ ĮSPĖJIMAS

Dirbdami su traktoriuku niekada nenaudokite ausinių ar kokių nors elektroninių prietaisų, pvz., išmaniojo telefono ar planšetės. Dėl dėmesio atitraukimo galite sukelti avariją ir sunkiai ar net mirtinai susižaloti pats ar sužaloti pašalinį asmenį.

4.2.5 PATARIMAI DĖL DARBO

▲ PAVOJUS

Prieš pradėdamas dirbti operatorius turi nuodugniai susipažinti su tinkamu įrenginio naudojimu ir darbu, atidžiai perskaityti visą šį vadovą ir išbandyti traktoriuką lėtai juo važiuodamas, manevruodamas ir įjaudamas žolę, kad susipažintų su įrenginio veikimu dar prieš pradėdant dirbti įprastu tempu. Nepatyrusiam įrenginio operatoriumi nerekomenduojama žolės pjauti šlaituose ar ant nelygaus paviršiaus.

▲ ĮSPĖJIMAS

Jei darbo metu įrenginio nesuvaldytumėte, vairalazdes nedelsdami nustatykite į stovėjimo stabdžio padėtį ir raktelį pasukite į išjungimo padėtį. Patikrinkite įrenginį ir pasitarkite su savo Cramer atstovu, kad prieš tęsdami darbą išspręstumėte atsiradusią problemą.

▲ ĮSPĖJIMAS

Įrenginio vairalazdės labai jautriai reaguoja. Kad įrenginys dirbtų sklandžiai, jų padėtį keiskite iš lėto, be staigių judesių. Įgūdžiai ir valdymo lengvumas atsiranda su įgyta praktika ir patirtimi. Įrenginys gali labai greitai sukintis. Būkite atsargūs sukdami į šoną ir sumažinkite greitį prieš staigius posūkius.

Nepatyrę operatoriai dažnai per daug pasuka vairą ir įrenginio nesuvaldo. Prieš pradėdant dirbti įprastu greičiu, rekomenduojama įprasti prie traktoriuko valdymo ir išbandyti manevravimą važinėjant mažu greičiu.

▲ ĮSPĖJIMAS

Prie staigių nuolydžių ar iškilusių kliūčių (pvz., nutekamųjų griovių ar šaligatvio bortelių) negalima atlekti dideliu greičiu ir bandyti juos „peršokti“, nes operatorių gali išmesti iš sėdynės. Privažiokite lėtai ir ant kliūtis užvažiokite kampu, vienu varančiuoju ratu. Tęskite važiavimą kampu, kol ratas pervažiuos kliūtį, o po to apsukite ir kitą ratą.

Kai sukatės su traktoriuku ant minkštos ar šlapios vejos, abu ratus sukite viena kryptimi (į priekį ar atgal). Jei suksitės vieną ratą sustabdę, galite sugadinti veją. Peiliai visada turi būti aštrūs. Daugeliu atveju veja netinkamai nupjaunama tuomet, kai peiliai atšipę arba netinkamai pagalšti. Kasdien tikrinkite peilių aštrumą.

▲ PAVOJUS

Niekada peilių netvarkykite, prieš tai neištraukę iš uždegimo jungiklio raktelio. Visada išjunkite pjovimo platformos PTO jungiklį, vairalazdes nustatykite į stovėjimo stabdžio padėtį, raktelį pasukite į išjungimo padėtį ir ištraukite jį iš uždegimo jungiklio. Užblokuokite traktoriuko ratus, jei reikia dirbti palindus po juo. Tvarkydami peilius mūvėkite apsaugines pirštines. Visada patikrinkite, ar peiliai nepažeisti, jei įjaudami veją su traktoriuku užkliudote akmenį, šaką ar kitą kietą kliūtį.

- **Žolės nuopjovų išmetimo lovelį nukreipkite dešinėn**, į nupjautos vejos pusę. Pasirinkite tokį pjovimo būdą, kad žolės nuopjovos būtų išmetamos tolyn nuo pjovimo zonos. Paprastai tai reiškia, kad pjaunant posūkiuose reikia sukintis prieš laikrodžio rodyklę, nes šoninio išmetimo lovelis sumontuotas dešinėje įrenginio pusėje. Bet koku atveju venkite žolės nuopjovų išmetimo į nepjautą zoną, nes tuomet žolę tenka pjauti „du kartus“. Taip tik be reikalo apkrausite įrenginį ir sumažinsite pjovimo efektyvumą.
- **Kai veją pjaunate pirmą kartą**, palikite žolę šiek tiek aukštesnę, nei įprastai, kad nenuskustumėte nelygaus vejos paviršiaus. Jei įmanoma, rekomenduojama nustatyti tokį patį pjovimo aukštį, koks buvo naudojamas ir anksčiau. Jei pjaunamos žolės aukštis viršija 152 mm (6 colius), gražiau ją nupjausite per du kartus.
- **Įprasto pjovimo metu** nupjaukite tik apie 38 mm (1,5 colio) žolės aukščio. Daugiau pjauti nerekomenduojama, nebent žolė reta arba jau baigiasi pjovimo sezonas.
- **Naudokite skirtingus pjovimo būdus**, kad žolė augtų tiesiai, o nuopjovos geriau būtų paskirstytos.
- **Atminkite, kad žolės augim o greitis skiriasi** skirtingais metų laikais. Ankstyvą pavasarį pjaukite dažniau, kad žolės aukštis išliktų toks pats. Žolės augimui sulėtėjus viduryje vasaros, pjaukite rečiau. Jei negalite pjauti reguliariais intervalais, pradžioje nupjaukite palikdami aukštesnę žolę, o po poros dienų nupjaukite dar kartą, sumažinę pjovimo aukštį.
- **Paididinkite traktoriuko pjovimo aukštį**, jei prieš tai naudoto traktoriuko pjovimo plotis buvo mažesnis. Taip nelygios vejos nenupjausite per trumpai.
- **Paididinkite traktoriuko pjovimo aukštį**, jei žolė šiek tiek aukštesnė, nei įprastai, arba drėgnesnė. Po to nupjaukite dar kartą, pasirinkę žemesnį pjovimo aukštį.

- **Jeį pjovimo metu reikia sustabdyti į priekį važiuojantį įrenginį**, ant vejos gali iškristi gniužulas žolės nuopojovų. Kad to išvengtumėte, užvažiuokite ant jau nupjautos vejos neišjungę peilių.
- **Nedelsdami įkraukite baterijas**, jeigu jų įkrova nukrenta žemiau 5 %.

Modelio Nr.	Baterijos įkrova	Veiksmas	Baterijos įkrova	Veiksmas
82ZT107	≤5%	Maksimalus važiavimo greitis nukrenta iki 6.4 km/val.	≤5%	Automatiškai sustabdomi sukamieji peiliai. Įrenginį reikia nedelsiant grąžinti į baterijų įkrovimo zoną ir prijungti prie baterijų įkroviklio.

- **Palaukite 30 minučių, kad atvėstų varikliai.** Jei pavaros variklis įkaista virš numatytosios temperatūros, sumažėja variklio sukimosi greitis. Jei temperatūra ir toliau auga, pasiekus aukštesnę numatytąją temperatūrą pavara atsijungia.

4.2.6 DARBAS ŠLAITUOSE

Žr. paveikslą 16

Šlaituose dažniausiai nesuvaldomas ir apsiverčia traktoriukas, taip sukeldami sunkias ar net mirtinas operatoriaus traumas. Dirbant bet kokiose vietose su nuolydžiu reikia būti ypač atsargiems. Jei į šlaitą negalite užvažiuoti judėdami atbuline eiga arba tai sudėtinga padaryti, ten žolės nepjaukite.

- Šlaituose važiuokite gamintojo rekomenduojama kryptimi. Būkite atsargūs, kai dirbate šalia nuolaidžių vietų.
- Jokiu būdu nedirbkite su įrenginiu, jei yra problemų su jo trauka, vairavimu ar stabilumu. Padangos gali slýsti net sustabdžius ratus.
- Važiuodami žemyn šlaitu visada laikykite įjungtą pavarą. Neriedėkite žemyn.
- Būkite itin atsargūs dirbdami šlaituose.
- Nebandykite nuimti ar modifikuoti jokių ratų.
- Saugokitės duobių, provėžų, iškilimų, akmenų ar kitų paslėptų kliūčių. Ant nelygaus žemės paviršiaus įrenginys gali apsiversti. Aukštoje žolėje gali slėptis kliūtys.
- Pašalinkite kliūtis, pvz., akmenis, medžių šakas, šiukšles ir pan.
- Šlaituose visada judėkite lėtai ir palaipsniui. Staigiai nekeiskite greičio ir krypties.
- Stenkitės ant šlaito nepradėti važiuoti ir nesustoti. Jei padangos praranda sukibimą, atjunkite peilius ir leiskitės tiesiai šlaitu žemyn.
- Pjaukite žolę saugiu atstumu (ne mažiau 10 pėdų ar 3 metrų) nuo nuolaidžių vietų, atraminių sienelių, drenažo griovių, krantinių, vandens ar kitų tipų pavojingų vietų, kad ratas neuvažiuotų ant pakraščio ar nesusmegtų į žemę. Taip sumažinsite netikėto įrenginio apsivertimo pavojų, kurio metu galite sunkiai ar net mirtinai susižaloti.
- Šlaituose ir šalia nuolaidžių vietų, atraminių sienelių, drenažo griovių, krantinių ir vandens žolę pjaukite stumdomomis veļapjovėmis arba rankinėmis žoliapjovėmis.
- Nepjaukite šlapios žolės. Dėl sumažėjusio sukibimo traktoriukas gali pradėti slýsti ir galite jo nesuvaldyti.
- Šlaituose nieko nevilkite. Dėl velkamo įrenginio svorio traktoriukas gali prarasti sukibimą ir galite jo nesuvaldyti.
- Jei dirbant šlaite traktoriuko padangos prarandą sukibimą su vejos paviršiumi, atjunkite pjovimo platformos peilius, nustatykite vairalazdes į stovėjimo stabdžio padėtį, pasukite raktelį į išjungimo padėtį, jį ištraukite ir susiraskite pagalbą.
- Niekada staigiai nepajudėkite iš vietos, nestabdykite, nesukite ir nepajudėkite atbuline eiga, ypač manevruodami šlaituose. Vairavimo mechanizmas yra pakankamai jautrus. Staigiai pakeičiami, atjunkite pjovimo platformos peilius, nustatykite vairalazdes į stovėjimo stabdžio padėtį, pasukite raktelį į išjungimo padėtį, jį ištraukite ir susiraskite pagalbą.
- Niekada staigiai nestabdykite, kai šlaitu judate žemyn atbuline eiga. Priešingu atveju įrenginys gali apvirtti ir sunkiai jus sužaloti.
- Šis Cramer traktoriukas gali pjauti žolę vidutinio nuolydžio šlaituose, judėdamas horizontaliai (skersai). Dirbdami šlaituose, kurių nuolydis iki 15 laipsnių, venkite tokių sąlygų, kuriomis traktoriuko varantieji ratai gali prarasti sukibimą, ir tuomet jūs galite jo nesuvaldyti. Operatoriui negalima dirbti šlaituose, kol jis nuodugniai nesupapazino su pjovimo įrenginiu.

Nedirbkite statesniuose nei 15 laipsnių šlaituose.

Vadovaukitės šlaitų vadovu, norėdami nustatyti pjaunamo šlaito statumą. Operatoriui primygtinai rekomenduojama ypač atsargiai su traktoriuku leistis nuo šlaito, jei jis pastebi bet kokį sukibimo praradimo požymį. Palaukite, kol neliks slydimo atsiradimo priežasties, prieš vėl bandydami dirbti ant šio šlaito. Vejos paviršius daro įtaką sukibimui ir įrenginio valdymui. Pateikiame kai kurias sąlygas, kurių reikia vengti:

1. Drėgnas paviršius;
2. Įdubimai žemėje (pvz., duobės, provėžos, išgraužos);
3. Purvo kauburiai;
4. Kai kurių tipų dirvožemis (pvz., smėlis, purvas, žvyras, molis);
5. Žolės tipas, tankis ir aukštis;
6. Ypač sausas paviršius;
7. Slėgis padangose.

Prie traktoriuko pritvirtinti padargai taip pat daro įtaką jo valdymui šlaituose. Atkreipkite dėmesį, kad tokių padargų savybės skiriasi.

Čia pateikti tik keli aplinkybių pavyzdžiai, kuriomis dirbant šlaituose reikia būti atsargiems. Egzistuoja daug kitų pavojų, kurių visų neįmanoma išvardinti. Todėl visada būkite itin atsargūs dirbdami bet kokiame šlaite.

nekeiskite apsauginių įtaisų konstrukcijos ir jų nepašalinkite.

5 ELEKTROS SISTEMA

5.1 ELEKTROS SISTEMOS SAUGA

- Perskaitykite savininko vadovą, ištraukite raktelį ir išimkite baterijas prieš įrenginį reguliuodami ar remontuodami.
- Visada ištraukite raktelį ir išimkite baterijas prieš tvarkydami šį įrenginį.
- Visada ištraukite raktelį ir išimkite baterijas prieš įrenginį gabendami.
- Pašalinkite nuo įrenginio žolės nuopjovas, lapus ir kitas šiukšles. NEPURKŠKITE vandens ant įrenginio jį valydami. Valykite pūsdami suslėgtuoju oru. Valymo metu dėvėkite tinkamas akių ir klausos apsaugos priemones.
- Visada užsidėkite apsauginius akinius ir kitas apsaugines priemones, kai tvarkote baterijas. Naudokite izoliuotus įrankius.
- Išvalykite baterijų skyrių, pavaros variklio skyrių, pjovimo platformą, sėdynę ir pan., pašalindami visus nešvarumus ir šiukšles. Nenaudokite tirpiklių, koncentruotų valiklių ar šlifuojančių medžiagų.
- Kai raktelis pasuktas į įjungimo padėtį, traktoriuko peilis gali pradėti sukintis, įjungus platformos peilių įjungimo ir išjungimo jungiklį (PTO), netgi nesisukant pavaros varikliui. Neprileiskite prie traktoriuko pašalinių asmenų, kai įjungiate PTO jungiklį.
- Visos traktoriuko techninės priežiūros ir laikymo vietos turi būti tinkamai vėdinamos pagal galiojančius gaisrinės saugos reikalavimus, kad nekiltų gaisras.
- Šalia baterijų draudžiama rūkyti, naudoti liepsną ar kibirkštis skleidžiančius įrenginius.
- Baterijas laikykite vaikams neprieinamoje vietoje.
- Traktoriuko apsauginiai gaubtai, dangčiai ir apsaugos visada turi būti savo vietose ir tinkamai pritvirtinti. Pažeistus apsauginius įtaisus reikia nedelsiant suremontuoti arba pakeisti. Niekada

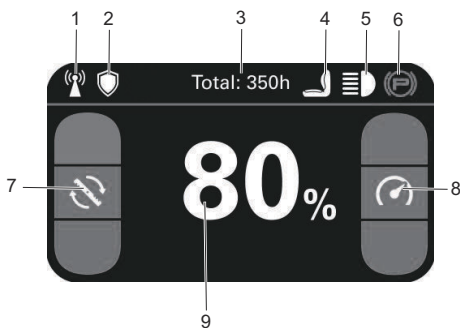
5.2 INFORMACIJA APIE ELEKTROS SISTEMĄ

Šį Cramer traktoriuką varo 82 voltų elektros sistema. Ją sudaro šie komponentai:


1. Peilių reguliatorius (1)
2. Peilių variklis (2)
3. Pavaros reguliatorius (1)
4. Akceleratorius – dešinysis (1)
5. Akceleratorius – kairysis (1)
6. Skaitmeninis ekranas (1)
7. Ratų variklis (2)
8. Sudėtinė baterija (1)




5.3 SKAITMENINIS EKRANAS

Valdymo skydelyje įmontuoto skaitmeninio ekrano funkcija yra pateikti operatoriui informaciją apie elektros sistemą. Jame pateikiama išsami informacija grafiniu būdu, kodais ir numeriais.



Lietuvių k.

Nr .	Pavadinimas	Funkcija
1		4G GPS signalas
2		GreenShield
3	Total : 350h	Traktoriuko darbo laikas
4		Sėdynės jungiklio kontūras uždarytas
5		LED žibintai

Nr .	Pavadinimas	Funkcija
6		Ijungtas stovėjimo stabdys
7		Peilių sukimosi greitis
8		Važiavimo greitis
9	80%	Baterijų įkrova procentais

6 KLAIDOS

Aptikusi problemą CANBUS sistema imasi veiksmų, kad apsaugotų operatorių ir įrenginį. Kai ji suveikia išjungdama įrenginį ar jo komponentą, apie tai pranešama skaitmeniniame ekrane, nurodant klaidos kodą. Visos elektros sistemos klaidos pažymimos kodu iš raidžių ir skaičių. Raidės kodo pradžioje nurodo sistemą, sukėlusią klaidą, kaip paaiškinta šioje lentelėje:

Pavadinimas	Reikšmė
TR	Dešinysis pavaros reguliatorius ir variklis
TL	Kairysis pavaros reguliatorius ir variklis
PMU	Galios valdymo blokas (baterijų skyriuje)
ML	Kairysis peilių variklio reguliatorius
MR	Dešinysis peilių variklio reguliatorius

6.1 KLAIDŲ KODAI

Klaidos kodas	Aprašymas	Sprendimas
TR1	Variklio padėties nustatymo klaida	Dar kartą įjunkite maitinimą.
TR2	Išsijungę pavaros variklis	Patikrinkite, ar neįstrigę varantieji ratai, ir vėl įjunkite maitinimą.
TR3	Apsauga nuo per mažų variklio sūkių	Dar kartą įjunkite maitinimą.
TR4	Apsauga nuo per didelių variklio sūkių	Dar kartą įjunkite maitinimą.
TR5	Variklio Holo efekto jutiklio klaida	Patikrinkite, ar tinkamai prijungta pavaros reguliatoriaus Holo efekto matavimo jungtis, po to vėl įjunkite maitinimą.
TR6	Regulatoriaus fazės praradimas	Patikrinkite, ar tinkamai prijungti pavaros reguliatoriaus variklio laidai, po to vėl įjunkite maitinimą.
TR7	MOSFET atviro kontūro klaida	Atsiradus šiai problemai kreipkitės į pardavėją.
TR8	Per žema įtampa reguliatoriuje	Įtampa per žema. Prieš naudodami įkraukite sudėtinę bateriją.
TR9	Per aukšta įtampa reguliatoriuje	Įtampa per aukšta. Dar kartą įjunkite maitinimą.
TR10	Žema baterijos temperatūra	Per žema temperatūra baterijų skyriuje. Įrenginį naudokite tinkamoje temperatūroje ir vėl įjunkite maitinimą.
TR11	Baterijų skyriuje (PMU) per aukšta temperatūra Aukšta baterijos temperatūra.	Per aukšta temperatūra baterijų skyriuje. Palaukite, kol baterija atvės, ir tuomet vėl įjunkite maitinimą.
TR12	Per aukšta variklio temperatūra	Variklis pernelyg įkaito. Palaukite, kol variklis atvės, ir tuomet vėl įjunkite maitinimą.
TR13	Per aukšta reguliatoriaus temperatūra	Regulatorius pernelyg įkaito. Palaukite, kol reguliatorius atvės, ir tuomet vėl įjunkite maitinimą.
TR14	Per stipri srovė elektronikos sistemoje (programinė įranga)	Apkrova per didelė. Dar kartą įjunkite maitinimą.
TR15	Per stipri srovė elektronikos sistemoje (aparatinė įranga)	Apkrova per didelė. Dar kartą įjunkite maitinimą.
TR16	Greičio reguliatoriaus klaida	Patikrinkite, ar tinkamai prie rankenos prijungtas greičio reguliatorius, ir tuomet vėl įjunkite maitinimą.
TR17	Regulatoriaus išankstinio įkrovimo klaida	Dar kartą įjunkite maitinimą.
TR18	Stabdžių klaida	Dar kartą įjunkite maitinimą.
TR19	Veikimo sekos klaida	Nustatykite abi vairalazdes į stovėjimo stabdžio padėtį, o peilių jungiklį – į išjungimo padėtį. Atsisėskite ant sėdynės ir pabandykite iš naujo.
TR20	Kampinio jutiklio klaida	Dar kartą įjunkite maitinimą.
TR21	Relės klaida	Dar kartą įjunkite maitinimą.
TR22	Magnetinio vožtuvo klaida	Patikrinkite, ar tinkamai prijungtas pavaros variklio solenoidinis vožtuvas, ir tuomet vėl įjunkite maitinimą.
TR23	Baterijų skyriaus (PMU) ryšio triktis	Sutrikęs ryšys su baterijų skyriumi. Dar kartą įjunkite maitinimą.
TR24	Baterijų skyriaus (PMU) triktis	Didelė / maža triktis baterijų skyriuje. Patikrinkite ir vėl įjunkite maitinimą.

Lietuvių k.

Klaidos kodas	Aprašymas	Sprendimas
TR25	CAN skirtojo laiko klaida – kairioji pavarą	Sutrikęs ryšys su kairiosios pavaros reguliatoriumi. Dar kartą įjunkite maitinimą.
TR26	CAN skirtojo laiko klaida – dešinioji pavarą	Sutrikęs ryšys su dešinėsios pavaros reguliatoriumi. Dar kartą įjunkite maitinimą.
TR27	CAN skirtojo laiko klaida – kairysis peilis	Sutrikęs ryšys su kairiojo peilio reguliatoriumi. Dar kartą įjunkite maitinimą.
TR28	CAN skirtojo laiko klaida – centrinis peilis	Sutrikęs ryšys su centrinio peilio reguliatoriumi. Dar kartą įjunkite maitinimą.
TR29	CAN skirtojo laiko klaida – dešinysis peilis	Sutrikęs ryšys su dešiniojo peilio reguliatoriumi. Dar kartą įjunkite maitinimą.
TR30	Baterijų skyriaus fiksuojamo dangtelio klaida	Patikrinkite, ar tinkamai prijungta jungtis po sėdyne, ir vėl įjunkite maitinimą.
TR31	Operatoriaus sėdynės jungiklio patikros klaida	Patikrinkite, ar tinkamai prijungta jungtis po sėdyne, ir vėl įjunkite maitinimą.
TR32	Programinės įrangos autentifikavimo klaida.	Dar kartą įjunkite maitinimą.
TL1	Variklio padėties nustatymo klaida	Dar kartą įjunkite maitinimą.
TL2	Išsijungė pavaros variklis	Patikrinkite, ar neįstrigę varantieji ratai, ir vėl įjunkite maitinimą.
TL3	Apsauga nuo per mažų variklio sūkių.	Dar kartą įjunkite maitinimą.
TL4	Apsauga nuo per didelių variklio sūkių	Dar kartą įjunkite maitinimą.
TL5	Variklio Holo efekto jutiklio klaida	Patikrinkite, ar tinkamai prijungta pavaros reguliatoriaus Holo efekto matavimo jungtis, po to vėl įjunkite maitinimą.
TL6	Reguliatoriaus fazės praradimas	Patikrinkite, ar tinkamai prijungti pavaros reguliatoriaus variklio laidai, po to vėl įjunkite maitinimą.
TL7	MOSFET atviro kontūro klaida	Atsiradus šiai problemai kreipkitės į pardavėją.
TL8	Per žema įtampa reguliatoriuje	Įtampa per žema. Prieš naudodami įkraukite sudėtinę bateriją.
TL9	Per aukšta įtampa reguliatoriuje	Įtampa per aukšta. Dar kartą įjunkite maitinimą.
TL10	Žema baterijos temperatūra	Per žema temperatūra baterijų skyriuje. Įrenginį naudokite tinkamoje temperatūroje ir vėl įjunkite maitinimą.
TL11	Baterijų skyriuje (PMU) per aukšta temperatūra Aukšta baterijos temperatūra.	Per aukšta temperatūra baterijų skyriuje. Palaukite, kol baterija atvės, ir tuomet vėl įjunkite maitinimą.
TL12	Per aukšta variklio temperatūra	Variklis pernelyg įkaito. Palaukite, kol variklis atvės, ir tuomet vėl įjunkite maitinimą.
TL13	Per aukšta reguliatoriaus temperatūra	Reguliatorius pernelyg įkaito. Palaukite, kol reguliatorius atvės, ir tuomet vėl įjunkite maitinimą.
TL14	Per stipri srovė elektronikos sistemoje (programinė įranga)	Apkrova per didelė. Dar kartą įjunkite maitinimą.
TL15	Per stipri srovė elektronikos sistemoje (aparatinė įranga)	Apkrova per didelė. Dar kartą įjunkite maitinimą.
TL16	Greičio reguliatoriaus klaida	Patikrinkite, ar tinkamai prie rankenos prijungtas greičio reguliatorius, ir tuomet vėl įjunkite maitinimą.

Lietuvių k.

Klaidos kodas	Aprašymas	Sprendimas
TL17	Regulatoriaus išankstinio įkrovimo klaida	Dar kartą įjunkite maitinimą.
TL18	Stabdžių klaida	Dar kartą įjunkite maitinimą.
TL19	Veiksmų sekos klaida	Nustatykite abi vairalazdes į stovėjimo stabdžio padėtį, o peilių jungiklį – į išjungimo padėtį. Atsisėskite ant sėdynės ir pabandykite iš naujo.
TL20	Kampinio jutiklio klaida	Dar kartą įjunkite maitinimą.
TL21	Relės klaida	Dar kartą įjunkite maitinimą.
TL22	Magnetinio vožtuvo klaida	Patikrinkite, ar tinkamai prijungtas pavaros variklio solenoidinis vožtuvas, ir tuomet vėl įjunkite maitinimą.
TL23	Baterijų skyriaus (PMU) ryšio triktis	Sutrikęs ryšys su baterijų skyriumi. Dar kartą įjunkite maitinimą.
TL24	Baterijų skyriaus (PMU) triktis	Didelė / maža triktis baterijų skyriuje. Patikrinkite ir vėl įjunkite maitinimą.
TL25	CAN skirtojo laiko klaida – kairioji pavana	Sutrikęs ryšys su kairiosios pavaros regulatoriumi. Dar kartą įjunkite maitinimą.
TL26	CAN skirtojo laiko klaida – dešinioji pavana	Sutrikęs ryšys su dešinėsios pavaros regulatoriumi. Dar kartą įjunkite maitinimą.
TL27	CAN skirtojo laiko klaida – kairysis peilis	Sutrikęs ryšys su kairiojo peilio regulatoriumi. Dar kartą įjunkite maitinimą.
TL28	CAN skirtojo laiko klaida – centrinis peilis	Sutrikęs ryšys su centrinio peilio regulatoriumi. Dar kartą įjunkite maitinimą.
TL29	CAN skirtojo laiko klaida – dešinysis peilis	Sutrikęs ryšys su dešiniojo peilio regulatoriumi. Dar kartą įjunkite maitinimą.
TL30	Baterijų skyriaus fiksuojamo dangtelio klaida	Patikrinkite, ar tinkamai prijungta jungtis po sėdyne, ir vėl įjunkite maitinimą.
TL31	Sėdynės jungiklio patikros klaida	Patikrinkite, ar tinkamai prijungta jungtis po sėdyne, ir vėl įjunkite maitinimą.
TL32	Programinės įrangos autentifikavimo klaida.	Dar kartą įjunkite maitinimą.
ML1	Variklio padėties nustatymo klaida	Dar kartą įjunkite maitinimą.
ML2	Išsijungę peilių variklis	Patikrinkite įjovimo apkrovą ir grąžinkite peilių paleidimo jungiklį į pradinę padėtį.
ML3	Apsauga nuo per mažų variklio sūkių	Dar kartą įjunkite maitinimą.
ML4	Apsauga nuo per didelių variklio sūkių	Dar kartą įjunkite maitinimą.
ML5	Variklio Holo efekto jutiklio klaida	Patikrinkite, ar tinkamai prijungta peilių regulatoriaus Holo efekto matavimo jungtis, po to vėl įjunkite maitinimą.
ML6	Regulatoriaus fazės praradimas	Patikrinkite, ar tinkamai prijungti pavaros regulatoriaus variklio laidai, po to vėl įjunkite maitinimą.
ML7	MOSFET atviro kontūro klaida	Atsiradus šiai problemai kreipkitės į pardavėją.
ML8	Per žema įtampa reguliatoriuje	Įtampa per žema. Prieš naudodami įkraukite sudėtinę bateriją.
ML9	Per aukšta įtampa reguliatoriuje	Įtampa per aukšta. Dar kartą įjunkite maitinimą.

Lietuvių k.

Klaidos kodas	Aprašymas	Sprendimas
ML10	Žema baterijos temperatūra	Per žema temperatūra baterijų skyriuje. Įrenginį naudokite tinkamoje temperatūroje ir vėl įjunkite maitinimą.
ML11	Baterijų skyriuje (PMU) per aukšta temperatūra Aukšta baterijos temperatūra.	Per aukšta temperatūra baterijų skyriuje. Palaukite, kol baterija atvės, ir tuomet vėl įjunkite maitinimą.
ML12	Per aukšta variklio temperatūra	Variklis pernelyg įkaito. Palaukite, kol variklis atvės, ir tuomet vėl įjunkite maitinimą.
ML13	Per aukšta reguliatoriaus temperatūra	Regulatorius pernelyg įkaito. Palaukite, kol regulatorius atvės, ir vėl įjunkite maitinimą.
ML14	Per stipri srovė elektronikos sistemoje (programinė įranga)	Apkrova per didelė. Dar kartą įjunkite maitinimą.
ML15	Per stipri srovė elektronikos sistemoje (aparatinė įranga)	Apkrova per didelė. Dar kartą įjunkite maitinimą.
ML16	Greičio reguliatoriaus klaida	Patikrinkite, ar tinkamai prie rankenos prijungtas greičio reguliatorius, ir tuomet vėl įjunkite maitinimą.
ML17	Regulatoriaus išankstinio įkrovimo klaida	Dar kartą įjunkite maitinimą.
ML18	Stabdžių klaida	Dar kartą įjunkite maitinimą.
ML19	Veiksmų sekos klaida	Nustatykite abi vairalazdes į stovėjimo stabdžio padėtį, o peilių jungiklį – į išjungimo padėtį. Atsisėskite ant sėdynės ir pabandykite iš naujo.
ML20	Kampinio jutiklio klaida	Dar kartą įjunkite maitinimą.
ML21	Relės klaida	Dar kartą įjunkite maitinimą.
ML22	Magnetinio vožtuvo klaida	Patikrinkite, ar tinkamai prijungtas variklio solenoidinis vožtuvas, ir tuomet vėl įjunkite maitinimą.
ML23	Baterijų skyriaus (PMU) ryšio triktis	Sutrikęs ryšys su baterijų skyriumi. Dar kartą įjunkite maitinimą.
ML24	Baterijų skyriaus (PMU) triktis	Didelė / maža triktis baterijų skyriuje. Patikrinkite ir vėl įjunkite maitinimą.
ML25	CAN skirtojo laiko klaida – kairioji pavara	Sutrikęs ryšys su kairiosios pavaros reguliatoriumi. Dar kartą įjunkite maitinimą.
ML26	CAN skirtojo laiko klaida – dešinioji pavara	Sutrikęs ryšys su dešinėsios pavaros reguliatoriumi. Dar kartą įjunkite maitinimą.
ML27	CAN skirtojo laiko klaida – kairysis peilis	Sutrikęs ryšys su kairiojo peilio reguliatoriumi. Dar kartą įjunkite maitinimą.
ML28	CAN skirtojo laiko klaida – centrinis peilis	Sutrikęs ryšys su centrinio peilio reguliatoriumi. Dar kartą įjunkite maitinimą.
ML29	CAN skirtojo laiko klaida – dešinysis peilis	Sutrikęs ryšys su dešiniojo peilio reguliatoriumi. Dar kartą įjunkite maitinimą.
ML30	Baterijų skyriaus fiksuojamo dangtelio klaida	Patikrinkite, ar tinkamai prijungta jungtis po sėdyne, ir vėl įjunkite maitinimą.
ML31	Nepavyko patvirtinti peilių signalo	Patikrinkite, ar tinkamai prijungtas peilių paleidimo jungiklis, ir tuomet grąžinkite jį į pradinę padėtį.
ML32	Programinės įrangos autentifikavimo klaida.	Dar kartą įjunkite maitinimą.
MR1	Variklio padėties nustatymo klaida	Dar kartą įjunkite maitinimą.

Lietuvių k.

Klaidos kodas	Aprašymas	Sprendimas
MR2	Išsijungę peilių variklis	Patikrinkite pjovimo apkrovą ir grąžinkite peilių paleidimo jungiklį į pradinę padėtį.
MR3	Apsauga nuo per mažų variklio sūkių	Dar kartą įjunkite maitinimą.
MR4	Apsauga nuo per didelių variklio sūkių	Dar kartą įjunkite maitinimą.
MR5	Variklio Holo efekto jutiklio klaida	Patikrinkite, ar tinkamai prijungta peilių regulatoriaus Holo efekto matavimo jungtis, po to vėl įjunkite maitinimą.
MR6	Regulatoriaus fazės praradimas	Patikrinkite, ar tinkamai prijungti pavaros regulatoriaus variklio laidai, po to vėl įjunkite maitinimą.
MR7	MOSFET atviro kontūro klaida	Atsiradus šiai problemai kreipkitės į pardavėją.
MR8	Per žema įtampa reguliatoriuje	Įtampa per žema. Prieš naudodami įkrovkite sudėtinę bateriją.
MR9	Per aukšta įtampa reguliatoriuje	Įtampa per aukšta. Dar kartą įjunkite maitinimą.
MR10	Žema baterijos temperatūra	Per žema temperatūra baterijų skyriuje. Įrenginį naudokite tinkamoje temperatūroje ir vėl įjunkite maitinimą.
MR11	Baterijų skyriuje (PMU) per aukšta temperatūra Aukšta baterijos temperatūra.	Per aukšta temperatūra baterijų skyriuje. Palaukite, kol baterija atvės, ir tuomet vėl įjunkite maitinimą.
MR12	Per aukšta variklio temperatūra	Variklis pernelyg įkaito. Palaukite, kol variklis atvės, ir tuomet vėl įjunkite maitinimą.
MR13	Per aukšta regulatoriaus temperatūra	Regulatorius pernelyg įkaito. Palaukite, kol regulatorius atvės, ir tuomet vėl įjunkite maitinimą.
MR14	Per stipri srovė elektronikos sistemoje (programinė įranga)	Apkrova per didelė. Dar kartą įjunkite maitinimą.
MR15	Per stipri srovė elektronikos sistemoje (aparatinė įranga)	Apkrova per didelė. Dar kartą įjunkite maitinimą.
MR16	Greičio regulatoriaus klaida	Patikrinkite, ar tinkamai prie rankenos prijungtas greičio regulatorius, ir tuomet vėl įjunkite maitinimą.
MR17	Regulatoriaus išankstinio įkrovimo klaida	Dar kartą įjunkite maitinimą.
MR18	Stabdžių klaida	Dar kartą įjunkite maitinimą.
MR19	Veiksmų sekos klaida	Nustatykite abi vairalazdes į stovėjimo stabdžio padėtį, o peilių jungiklį – į išjungimo padėtį. Atsisėskite ant sėdynės ir pabandykite iš naujo.
MR20	Kampinio jutiklio klaida	Dar kartą įjunkite maitinimą.
MR21	Relės klaida	Dar kartą įjunkite maitinimą.
MR22	Magnetinio vožtuvo klaida	Patikrinkite, ar tinkamai prijungtas variklio solenoidinis vožtuvas, ir tuomet vėl įjunkite maitinimą.
MR23	Baterijų skyriaus (PMU) ryšio triktis	Sutrikęs ryšys su baterijų skyriumi. Dar kartą įjunkite maitinimą.
MR24	Baterijų skyriaus (PMU) triktis	Didelė / maža triktis baterijų skyriuje. Patikrinkite ir vėl įjunkite maitinimą.
MR25	CAN skirtojo laiko klaida – kairioji pavarą	Sutrikęs ryšys su kairiosios pavaros regulatoriumi. Dar kartą įjunkite maitinimą.

Lietuvių k.

Klaidos kodas	Aprašymas	Sprendimas
MR26	CAN skirtojo laiko klaida – dešinioji pavarą	Sutrikęs ryšys su dešinėsios pavaros reguliatoriumi. Dar kartą įjunkite maitinimą.
MR27	CAN skirtojo laiko klaida – kairysis peilis	Sutrikęs ryšys su kairiojo peilio reguliatoriumi. Dar kartą įjunkite maitinimą.
MR28	CAN skirtojo laiko klaida – centrinis peilis	Sutrikęs ryšys su centrinio peilio reguliatoriumi. Dar kartą įjunkite maitinimą.
MR29	CAN skirtojo laiko klaida – dešiny-sis peilis	Sutrikęs ryšys su dešiniojo peilio reguliatoriumi. Dar kartą įjunkite maitinimą.
MR30	Baterijų skyriaus fiksuojamo dang-telio klaida	Patikrinkite, ar tinkamai prijungta jungtis po sėdyne, ir vėl įjunkite maitinimą.
MR31	Nepavyko patvirtinti peilių signalo	Patikrinkite, ar tinkamai prijungtas peilių paleidimo jungiklis, ir tuomet gražinkite jį į pradinę padėtį.
MR32	Programinės įrangos autentifikavi-mo klaida.	Dar kartą įjunkite maitinimą.
PMU10	Atviras kontūras sudėtinėje bateri-joje baterijų skyriuje (PMU)	Baterijų skyriuje atsijungė sudėtinė baterija; įrenginys gali prasčiau veikti.
PMU11	Nedidelė PMU klaida	Dėl nedidelės trikties baterijų skyriuje užblokuotas peilių sis-temos paleidimas. Palaukite, kad sistema atsikurtų, ir tuo-met iš naujo įjunkite peilių paleidimo jungiklį.
PMU12	Kritinė PMU klaida	Dėl didelės trikties baterijų skyriuje užblokuotas pavaros ir peilių sistemos paleidimas. Iš naujo įjunkite maitinimą ir pa-bandykite dar kartą.
PMU13	Baterijų skyriuje nėra sudėtinės baterijos	Patikrinkite, ar įstatėte tinkamą sudėtinę bateriją, ir tuomet vėl įjunkite maitinimą.

7 TECHNINĖ PRIEŽIŪRA

7.1 TRAKTORIUKO PEILIŲ TECHNINĖ PRIEŽIŪRA

Kasdien tikrinkite traktoriuko peilius. Jie yra svarbiausi elementai, norint efektyviai naudoti įrenginį ir pasiekti geriausių pjovimo rezultatus. Peiliai visada turi būti aštrūs – atšipęs peilis žolę plėšia, o ne pjauna, ir per kelias valandas nuplėšta žolės viršūnėlė paruduoja. Be to, atšipusiam peiliui reikia daugiau energijos. Pakeiskite sulenktus, įtrūkusius ar nulaužtus peilius.

▲ ĮSPĖJIMAS

Niekada nebandykite tiesinti sulenкто peilio jį kaitindami, ar virinti įskilusį ar nulaužtą peilį, nes jis gali nulūžti ir sunkiai sužaloti. Pakeiskite sudilusius ar pažeistus peilius.

▲ ĮSPĖJIMAS

Niekada peilių netvarkykite, prieš tai neištraukę iš uždegimo jungiklio raktelio. Pasukite raktelį į išjungimo padėtį ir išimkite iš įrenginio sudėtinės baterijas. Užblokuokite traktoriuko ratus, jei reikia dirbti palindus po juo. Tvarkydami peilius mūvėkite apsaugines pirštines. Visada patikrinkite, ar peiliai nepažeisti, jei pjudami veją su traktoriuku užkliudote akmenį, šaką ar kitą kietą kliūtį!

▲ PAVOJUS

Galandimą galite užbaigti nušlifudami dilde. Po galutinio šlifavimo patikrinkite peilių subalansavimą. Balansavimo įrankį galite įsigyti daugumoje įrankių parduotuvių, arba peilį galite subalansuoti paguldę ant apversto prakalo ar 12,7 mm (1/2 colio) varžto. Peilis neturi nusvirti ar pakrypti. Peilį lėtai sukant jis neturi svyruoti. Jei peilis nesubalansuotas, sureguliuokite jį prieš vėl sumontuodami. Paguldykite peilį ant lygaus paviršiaus ir patikrinkite, ar nedeformuotas. Deformuotus peilius pakeiskite.

Lietuvių k.

▲ ĮSPĖJIMAS

- Išlenkta peilio dalis turi būti nukreipta į viršų į platformos vidų, kad peilis tinkamai pjautų.
- Pritvirtinę peilius juos pasukite ir patikrinkite, ar jie neličia vienas kito ir traktoriuko korpuso.
- Netinkamai priveržę varžtus galite pamesti peilį, kuris gali sunkiai sužaloti.
- Traktoriuko peiliai yra aštrūs ir gali įpjauti. Tvarkydami peilius mėvėkite apsaugines pirštines ir dirbkite ypač atsargiai.

7.1.1 PEILIO KEITIMAS

Žr. paveikslą 17

1. Sustabdykite variklį, ištraukite paleidimo raktelį ir įjunkite stovėjimo stabdį.
2. Pjovimo platformą pakelkite į didžiausią aukštį, kad galėtumėte prieiti prie peilių.

i PASTABA

Jei reikia, traktoriuką pakelkite keltuvu ar rankiniu kėliukiu, arba nuimkite pjovimo platformą, kaip aprašyta ankstesniame skyriuje, kad prieitumėte prie peilių.

▲ ĮSPĖJIMAS

Jei traktoriuką pakeliate, tinkamai jį įtvirtinkite, ir prieš keldami įjunkite stovėjimo stabdį. Netinkamai įtvirtintas traktoriukas gali nuvirsti ir sunkiai ar net mirtinai sužaloti.

3. Įkiškite medinę trinkelę tarp peilio ir pjovimo platformos, kad peilis negalėtų pasisukti.
4. Prieš laikrodžio rodyklę (žiūrint iš apačios) atsukite peilio varžlę 16 mm varžliarakčiu ar raktu su lizdine galvute (komplekte nėra).
5. Nuimkite peilio varžlę, tarpiklį, peilio izoliatorių ir peilį.
6. Prisukite varžlę prie ašies ir priveržkite ranka.
7. Pagal laikrodžio rodyklę priveržkite peilio varžlę dinamometrinio raktu (komplekte nėra), kad ji būtų tinkamai priveržta. The rekomenduojama peilio priveržimo jėga yra 90–100 Nm (66–74 ft.lbs).

▲ ĮSPĖJIMAS

Patikrinkite, ar peilis tinkamai prigludęs, o jo varžlė priveržta pirmiau nurodyta jėga. Netinkamai pritvirtintas peilis gali atsipalaiduoti, išlėkti ir sunkiai sužaloti.

8. Pakartokite procedūrą su antruoju peiliu, jei reikia.

i PASTABA

Visas dalis reikia pakeisti priešinga tvarka, nei jos buvo nuimtos.

7.2 PADANGOS

Norint lygiai nupjauti veją, svarbu, kad visos padangos būtų tinkamai pripūstos. Rekomenduojamas oro slėgis padangose:

i PASTABA

Oro slėgį padangose matuoti ir keisti reikia tuomet, kai jos neįkaičė.

Varantieji ratai	8 psi
Priekiniai maži ratai	37 psi

i PASTABA

Padangas tikrinkite kasdien. Pažeistas padangas nedelsdami pakeiskite.

▲ ĮSPĖJIMAS

Pūtimo metu padangose atidžiai tikrinkite oro slėgį. Per daug pripūstą padangą ji gali sprogti ir sunkiai sužaloti.

7.3 TEPIMAS

Žr. paveikslą 19

Alyvą prašome pildyti prieš darbą.

Alyvos tipas	SAE85W-140
Alyvos kiekis	180 ml

Kreipkitės į savo Cramer atstovą, kai alyvą norite pakeisti.

i PASTABA

Pavarų dėžės alyvą pirmąjį kartą reikia keisti po 50 įrenginio darbo valandų, o po to – kas 200 valandų.

7.4 PRIVERŽIMO JĖGOS VERTĖS

▲ ĮSPĖJIMAS

Ypatingą dėmesį reikia atkreipti į varančiųjų ratų veržlių ir peilių suklių varžtų priveržimą. Netinkamai priveržus šias tvirtinimo detales ratas ar peilis gali nulėkti ir sunkiai sužaloti ar sugadinti turtą.

Šioje lentelėje pateiktos priveržimo jėgos vertės:

Dalis	Ft-lbs.	Nm
Ratų veržlės	89	120
Peilio suklio varžtas	66	90

Tik ratų veržlėms: veržlės rekomenduojama patikrinti po pirmųjų 2 darbo valandų, o po to tikrinti kas 100 darbo valandų ir po atsukimo remontuojant ar keičiant.

7.5 SUDĖTINĖS BATERIJOS TECHNINĖ PRIEŽIŪRA

Jūsų Cramer traktoriuką maitina sudėtinė baterija, kuri tinkamai prižiūrima užtikrina daug eksploatacavimo metų. Laikykitės šių tinkamos techninės priežiūros nurodymų:

- Kiekvieną kartą po darbo baterijas įkraukite.
- Sudėtinei baterijai visiškai išsikrovus ir atsijungus, rekomenduojama kuo greičiau ją įkrauti. Dėl per didelės sudėtinės baterijos iškrovos sutrumpėja jos eksploatacavimo trukmė, arba ją galima nepataisomai sugadinti. Nėra reikalo bateriją įkrauti iki galo: pakanka ją krauti bent 5–10 minučių. Pakartotinai įkrauti rekomenduojama per 24 valandas.
- Reguliariai valykite baterijos skyriuje ir aplink baterijos gnybtus susikaupiančias žolės nuopjovas, nešvarumus ir šiukšles.
- CBaterijas kraukite patalpoje, gerai vėdinamoje ir sausoje vietoje, toliau nuo kibirkščių ir liepsnų. Saugokite įkroviklį nuo lietaus, garų ir skysčių.
- Kraukite tik Cramerličio jonų baterijas.
- Nelieskite neizoliuotų įkroviklio dalių (gnybtų) ir išvado jungties.
- Nenaudokite su pažeistais laidais ir kabeliais. Pažeistus laidus ir kabelius nedelsdami pakeiskite.
- Temperatūra laikymo patalpoje turi būti nuo –20 °C iki 45 °C, jei laikoma neilgiau mėnesio, ir nuo 0 °C iki 35 °C, jei laikoma nuo dviejų iki dvylikos mėnesių.
- Sudėtinės baterijos iškrovimo aplinkos temperatūra turi būti nuo –20 °C iki 55 °C, o įkrovimo aplinkos – nuo 0 °C iki 55 °C.

7.6 BATERIJŲ SKYRIAUS FILTRO TECHNINĖ PRIEŽIŪRA

Baterijų skyriaus filtrą reikia keisti kas 200 darbo valandų.

7.7 TECHNINĖ PRIEŽIŪRA

i SVARBU

Prieš įrenginį reguliuodami, valydami ar remontuodami palaukite, kol sustos visos judančios dalys. Elektros įtampa maitinamas dalis gali techniškai prižiūrėti ir remontuoti tik apmokyti specialistai. Perskaitykite ir laikykitės vadovo pradžioje pateiktų įspėjimų dėl saugos.

i SVARBU

Elektros įtampa maitinamas dalis gali techniškai prižiūrėti ir remontuoti tik apmokyti specialistai.

- Pastatykite traktoriuką ant lygaus žemės paviršiaus. Važiavimo krypties valdymo jungiklis turi būti neutralioje padėtyje, o PTO jungiklis – išjungimo padėtyje. Pakelkite pjovimo platformą, pasukite paleidimo raktelį į išjungimo padėtį, ištraukite iš uždegimo jungiklio ir iš baterijų skyriaus po sėdynę išimkite baterijas.
- Visas techninės priežiūros procedūras, kurių metu reikia nuimti apsauginius gaubtus, gali vykdyti tik apmokyti techninės priežiūros specialistai.
- Lazda ar panašia priemone pašalinkite šiukšles nuo traktoriuko dugno taip, kad po įrenginiu nekištumėte jokios savo kūno dalies (ypač rankų).
- Įrenginys visada turi būti švarus, todėl reguliariai valykite nuo jo šiukšles ir žolės nuopjovas.
- Baterijų skyriuje, ant platformos ir operatoriaus darbo vietoje neturi kauptis šiukšlės, žolės nuopjovos ir kitos šiukšlės.
- Išvalykite baterijų skyrių, pavaros variklio skyrių, pjovimo platformą, sėdynę ir pan., pašalindami visus nešvarumus ir šiukšles. Valykite tik suslėgtu oru. NENAUDOKITE tirpiklių, koncentruotų valiklių ar šlifuojančių medžiagų.
- Visada užsidėkite tinkamą akių apsaugą, kai tvarkote baterijas ar šlifujete traktoriuko peilius ir šalinatė susikaupusiais šiukšles. Niekada nebandykite traktoriuko pavaros sistemos, pjovimo platformos ar bet kokio padargo reguliuoti ar remontuoti, kai veikia traukos pavaros sistema. Elektros įtampa maitinamas dalis gali techniškai prižiūrėti ir remontuoti tik apmokyti specialistai.
- Niekada nedirbkite palindę po įrenginiu ar padargu, prieš tai tinkamai jo neįtvirtinę keltuvo atramos. Patikrinkite, ar pakeltas ir keltuvo atramų laikomas įrenginys saugiai įtvirtintas.
- Keltuvo atramos turi taip laikyti įrenginį, kad jis nejudėtų paleidus traukos pavaros sistemą ir sukantis varantiesiems ratams. Naudokite tik sertifikuotas keltuvo atramas. Naudokite tinkamas keltuvo atramas, kurios atlaikytų ne mažiau kaip 2000 svarų (907,2 kg) apkrovą. Naudokite tik poromis. Vadovaukitės automobilių keltuvo atramų instrukcijomis.
- Nelieskite įkaitusių įrenginio dalių.
- Visos varžlės ir varžtai turi būti priveržti, ypač peilių tvirtinimo varžtai. Palaikykite tinkamą įrenginio darbinę būklę.
- Niekada nebandykite perdaryti apsauginių įtaisų. Reguliariai tikrinkite, ar jie tinkamai veikia.
- Pasukite paleidimo raktelį į išjungimo padėtį, prieš valydami užsikimšusį nuopjovų išmetimo lovelį.
- Niekada nuopjovų išmetimo lovelio nevalykite įrenginiu veikiant. Prieš valydami pasukite paleidimo raktelį į išjungimo padėtį ir patikrinkite, ar peiliai nustojo sukintis. Užsikimšusių išmetimo zoną valykite lazda. Niekada nevalykite rankomis!
- Prieš bandydami atkimšti nuopjovų išmetimo lovelį, sustabdykite įrenginį ir palaukite, kol peiliai nustos sukintis. Žolės surinkimo sistemos komponentai dyla, jie pažeidžiami ir sugadinami, o tuomet gali atsidengti judančios dalys ir išsviesti šiukšles. Komponentus dažnai tikrinkite ir keiskite gamintojo rekomenduojamomis dalimis, jei reikia.
- Būkite atsargūs, dirbdami po pjovimo platforma, nes traktoriuko peiliai yra labai aštrūs. Tvarkydami peilius mūvėkite apsaugines pirštines ir dirbkite ypač atsargiai.
- Naudokite tik originalias Cramer traktoriuko dalis, kad išlaikytumėte originalią įrenginio konstrukciją.
- Prieš gabendami įrenginį visada išimkite baterijas. Pašalinkite nuo įrenginio žolės nuopjovas, lapus ir kitas šiukšles.
- Dažnai tikrinkite, kaip veikia stabdžiai. Sureguliuokite ir sutvarkykite, jei reikia.
- Prižiūrėkite ar pakeiskite lipdukus su saugos nurodymais ir instrukcijomis, jei reikia.
- Vejos pjovimo traktoriuko techninę priežiūrą gali vykdyti tik kvalifikuotas remonto įmonės darbuotojas, naudodamas tik originalias atsargines dalis. Taip užtikrinsite traktoriuko saugą.
- Įkrovimui naudokite tik gamintojo nurodytą įkroviklį. Įkroviklį, kuris skirtas vieno tipo sudėtinei baterijai, naudojant su kito tipo sudėtine baterija gali kilti gaisras.

8 GABENIMAS IR LAIKYMAS

8.1 GABENIMAS

▲ ĮSPĖJIMAS

Būkite ypač atsargūs, kai įrenginį kraunate į priekabą ar iš jos iškraunate. Paspauskite mažo važiavimo greičio mygtuką ir atsargiai reguliuokite traktoriuko judėjimo greitį. Į priekabą visada užvažiuokite atbuline eiga. Traktoriuko pakrovimo ir iškrovimo metu niekada neviršykite maksimalaus rekomenduojamo 15° pasvirimo kampo. Nesilaikant šių nurodymų galima nesuvaldyti traktoriuko ir sunkiai ar net mirtinai susižaloti ar sugadinti turtą.

▲ ĮSPĖJIMAS

Būkite atsargūs traktoriuko pakrovimo ir iškrovimo iš priekabos metu. Pjovimo platforma turi būti pakelta į didžiausią aukštį, kad neužkliudytų nuožulnos. Traktoriuko ratai gali nuslysti nuo nuožulnos ar priekabos ir įrenginys gali nuvirsti, sukeldamas prispaudimo ir sunkaus ar net mirtino sužalojimo pavojų.

1. Pastatykite traktoriuką ant lygaus paviršiaus.
2. Pakelkite pjovimo platformą į didžiausią aukštį.
3. Pagal gamintojo instrukcijas pastatykite prie traktoriuko nuožulną ir ją įtvirtinkite.

i PASTABA

Rekomenduojame naudoti vieną, bent 30 cm už traktoriuko plotį platesnę pakrovimo nuožulną, kad iki minimumo sumažėtų įrenginio ratų nuslydimo į nuožulnos šoną pavojus.

4. Atbuline eiga lėtai užvažiuokite su traktoriuku ant nuožulnos ir į priekabą.
5. Iki galo nuleiskite pjovimo platformą.
6. Įjunkite stovėjimo stabdį.
7. Išjunkite traktoriuką ir ištraukite paleidimo raktelį.
8. Tinkamai traktoriuką įtvirtinkite diržais ar trosais, kad jis nejudėtų gabenimo metu.

▲ ĮSPĖJIMAS

Kad gabenamas traktoriukas atsitiktinai neįsijungtų ir nepajudėtų, sunkiai sužalodamas, visada ištraukite paleidimo raktelį ir įjunkite stovėjimo stabdį.

8.2 VALYMAS IR LAIKYMAS

8.2.1 ĮRENGINIO VALYMAS

- Nuvalykite nuo variklio gaubto priilpusias žolės nuopjovas ir lapus (neplaukite variklio aukšto slėgio srove).
- Retkarčiais traktoriuką nušluostykite sausu skuduru.
- Jei darbo metu šiukšlės prikimba prie traktoriuko dugno, sustabdykite variklį, išjunkite įrenginį ir nugrandykite tinkamu įrankiu.

8.2.2 PJOVIMO PLATFORMOS PLOVIMAS

Žr. *paveikslą 18*

- Įjunkite stovėjimo stabdį.
- Nuleiskite pjovimo platformą į žemiausią padėtį.
- Prijunkite prie sodo žarnos plovimo jungties greitojo sujungimo movą.
- Prijunkite sodo žarną su prijungta mova prie pjovimo platformos plovimo jungties. Plovimo jungtis yra kairėje pjovimo platformos pusėje.
- Paleiskite vandenį.
- Ištraukite PTO jungiklį, kad traktoriuko peiliai pradėtų sukstis, ir nustatykite didžiausią peilių sukimosi greitį.
- Plaukite vandeniu platformos apačią maždaug vieną minutę.
- Atjunkite traktoriuko peilius, nuspausdami PTO jungiklį žemyn.

- Užsukite vandenį ir nuo plovimo jungties atjunkite sodo žarną su greitojo sujungimo mova.
- Nuimkite movą nuo sodo žarnos ir pasidėkite kitam kartui.
- Išjunkite traktoriuką.

8.2.3 ĮRENGINIO LAIKYMAS

Toliau išvardinti žingsniai, kuriuos reikia atlikti, norint paruošti įrenginį laikymui:

- Nuvalykite įrenginį, kaip aprašyta ankstesniame skyriuje.
- Patikrinkite peilius ir juos pagaląskite arba pakeiskite, jei reikia (žr. skyrių apie techninę priežiūrą).
- Nelaikykite įrenginio šalia esdinančių medžiagų, tokių kaip trąšos ar akmens druska.
- Įrenginį laikykite vaikams neprieinamoje vietoje.
- Neuždenkite aklinaį įrenginio plastikine plėvele. Po plastikine uždanga kaupiasi drėgmė, sukelianti įrenginio koroziją.
- Įrenginį kruopščiai patikrinkite, ar nesudilę ir nepažeistos dalys, kurias reikia pakeisti užsakant pas įrenginio pardavėją.
- Prašome kreiptis į techninės priežiūros centrą, kad įrenginį kruopščiai suteptų.
- Iki galo įkraukite ir paruoškite laikymui baterijas.
- Neišleiskite iš padangų oro.
- Įrenginį reikia laikyti gerai vėdinamoje, švarioje ir sausoje vietoje, nes baterijų įkroviklio negalima naudoti drėgnoje aplinkoje.
 - Baterijos visada turi būti iki galo įkrautos. Labai svarbu jas apsaugoti nuo sugadinimo, kai temperatūra nukrenta žemiau 32 °F (0 °C).
 - Įkroviklio adapterį prijunkite prie įkrovimo jungties ir baterijų, kaip aprašyta elektros sistemos skyriaus poskyryje apie įkrovimo adapterį.
 - Prijunkite įkroviklį prie tinkamo elektros lizdo. Daugiau informacijos apie įkroviklio naudojimą ir baterijų įkrovimą rasite elektros sistemos skyriaus poskyriuose apie baterijų įkroviklį, baterijų įkrovimą ir įkrovimo rekomendacijas.
 - Kad baterijų eksploatavimo trukmė būtų kuo ilgesnė, rekomenduojama jas iki galo įkrauti po kiekvieno naudojimo.

8.2.4 PARUOŠIMAS DARBUI PO LAIKYMO

Toliau išvardinti žingsniai, kuriuos reikia atlikti, norint paruošti įrenginį darbui po laikymo:

- Iki galo įkraukite baterijas.
- Patikrinkite oro slėgį padangose ir jas pripūskite, jei reikia.
- Trumpai pavažinėkite traktoriuku, patikrindami visas sistemas ir komponentus, ar jie tinkamai veikia.

9 TRIKČIŲ ŠALINIMAS

PROBLEMA	GALIMA PRIEŽASTIS	SPRENDIMAS
Traktoriukas nepajauja žolės.	Baterijų skyriuje nėra baterijų arba naudojama netinkamo tipo Cramer sudėtinė baterija.	Kad traktoriukas tinkamai veiktų, į baterijų skyrių turi būti įstatyta bent 1 Cramer sudėtinė baterija.
	Sudėtinė baterija neįkrauta.	Patikrinkite sudėtinės baterijos įkrovą.
	Vairalazdės nustatytos į stovėjimo stabdžio padėtį.	Nei viena vairalazdė neturi būti stovėjimo stabdžio padėtyje.
	Niekas nesėdi vairuotojo sėdynėje arba sėdynės jungiklio kontūras neuždarytas.	Vairuotojas turi atsistoti ant sėdynės.
	Įjungus maitinimą kairysis ir dešinysis stovėjimo jungikliai nenustatyti į savo pradinę padėtį.	Nustatykite abi vairalazdes į stovėjimo stabdžio padėtį ir vėl įjunkite įrenginį; jeigu jis vis tiek neveikia, prašome kreiptis į Cramer techninės priežiūros specialistus.
	Baterijų skyrius yra neveikimo būsenoje.	Pasukite paleidimo raktelį į išjungimo padėtį, palaukite ne mažiau 5 sekundžių ir vėl bandykite įjungti įrenginį.
Netikėtas gedimas važiavimo metu.	Baterija neįkrauta.	Kad traktoriukas tinkamai veiktų, į baterijų skyrių turi būti įstatyta bent 1 Cramer sudėtinė baterija, kuri turi būti įkrauta.
	Nelygus ir duobėtas kelias, dėl kurio atsijungė operatoriaus sėdynės jungiklis.	Nustatykite vairalazdes į stovėjimo stabdžio padėtį ir vėl įjunkite įrenginį.
	Sugedo kairysis arba dešinysis akceleratorius.	Kreipkitės į Cramer techninės priežiūros specialistus.
	Sugedo pavaros reguliatorius.	Kreipkitės į Cramer techninės priežiūros specialistus.
Ištraukus PTO jungiklį peiliai nesisuka.	Baterijų skyriuje nėra baterijų arba naudojama ne Cramer sudėtinė baterija.	Kad traktoriukas tinkamai veiktų, į baterijų skyrių turi būti įstatyta bent 1 Cramer sudėtinė baterija, kuri turi būti įkrauta.
	Baterijų įkrova nukrito žemiau 5 %.	Patikrinkite sudėtinės baterijos įkrovą ir įkraukite, jei ji per žema.
	Operatoriaus sėdynės jungiklio kontūras neuždarytas.	Vairuotojas turi sėdėti ant sėdynės.
	Prieš įjungiant maitinimą peilių jungiklis (PTO) nenustatytas į pradinę padėtį.	Nuspauskite PTO jungiklį ir vėl jį ištraukite.
	Blokuojamas peilių variklis ar įsijungusi kita apsauginė funkcija.	Patikrinkite, ar tarp peilių ir variklio neįsivelė piktžolių ar šiukšlių, trukdančių peiliui sukis. Prieš įjungiant reikiamą pavarą, rekomenduojama pakelti pjovimo platformą ir paleisti peilius.
	Tinkamai neveikia važiavimo reguliatorius.	Patikrinkite ekrane rodomą klaidos kodą.
Peiliai sustoja žolės pjovimo metu.	Tinkamai neveikia peilių reguliatorius.	Patikrinkite ekrane rodomą klaidos kodą.
	Peilių variklio perkrova.	Išvalykite pjovimo platformos vidų, patikrinkite peilius, ar jie įprastai sukasi, nuspauskite PTO, vėl įjunkite įrenginį ir sumažinkite peilių apkrovą, pakeldami pjovimo platformą arba sumažindami važiavimo greitį.

Lietuvių k.

PROBLEMA	GALIMA PRIEŽASTIS	SPRENDIMAS
	Per aukštą sudėtinės baterijos temperatūrą.	Nepradėkite dirbti iš karto po baterijų įkrovimo, nes gali įsijungti apsauga nuo aukštos sudėtinės baterijos temperatūros.
	Baterijų įkrova nukrito žemiau 5 %.	Sudėtinės baterijos įkrova per žema, prašome bateriją įkrauti.
	Peilis atsitrenkė į kliūtį ir staiga sustojo.	Pasukite paleidimo raktelį į išjungimo padėtį ir palaukite ne mažiau 5 sekundžių, o po to vėl įjunkite įrenginį.
	Tinkamai neveikia važiavimo reguliatorius.	Patikrinkite ekrane rodomą klaidos kodą.
Traktoriukas žolę pjauna nelygiai ir jos aukščių skirtumas labai didelis.	Peilis atšipęs.	Pagaląskite peilį pagal nurodymus šiame vadove.
	Peilis sulenktas.	Pakeiskite sulenktą peilį pagal nurodymus šiame vadove; keisdami mūvėkite apsaugines pirštines.
	Pjovimo platforma pakrypusi.	Išlyginkite pjovimo platformą pagal nurodymus taip, kad jos aukštis kairėje ir dešinėje pusėse būtų vienodas.
Realus pjovimo aukštis neatitinka pasirinkto pjovimo aukščio.	Atsivalaidavę pjovimo platformos tvirtinimo varžtai.	Tinkamai priveržkite visus pjovimo platformos tvirtinimo varžtus. Pastaba: priveržus tvirtinimo varžtus, platformą reikia iš naujo išlyginti horizontalios plokštumos atžvilgiu.
	Platforma stipriai pažeista ar sugadinta.	Pakeiskite pjovimo platformą nauja.
Žolė pjaunama netinkamai, draskoma.	Veja per drėgna.	Prieš pjaudami patikrinkite vejos būklę. Jei žolė per drėgna, palaukite, kol vėjas ar saulė ją išdžiovins po lietaus ar rasos.
	Traktoriukas nustatytas vienu metu pjauti per daug žolės.	Jei žolė per tanki ar per aukšta, pakelkite pjovimo platformą, kad vienu metu pjautumėte mažiau žolės.
Įrenginys per daug vibruoja.	Atsivalaidavę peiliai.	Priveržkite peilius pagal nurodymus šiame vadove.
	Peiliai sulenkti.	Pakeiskite sulenktą peilį pagal nurodymus šiame vadove; keisdami mūvėkite apsaugines pirštines.
	Pasvirusi pjovimo platforma.	Išlyginkite pjovimo platformą pagal nurodymus taip, kad jos aukštis kairėje ir dešinėje pusėse būtų vienodas.
	Atsivalaidavusi pjovimo platforma.	Užfiksuokite platformos tvirtinimo varžtus.
	Traktoriukas nustatytas vienu metu pjauti per daug žolės.	Jei žolė per tanki ar per aukšta, pakelkite pjovimo platformą, kad vienu metu pjautumėte mažiau žolės.
Po pjovimo ant vejos lieka žolė, lapai ar šiukšlės.	Traktoriukas nustatytas vienu metu pjauti per daug žolės.	Jei žolė per tanki ar per aukšta, pakelkite pjovimo platformą, jei vejos aukštis viršija 15 cm, pjaukite ją per du kartus, venkite pjauti vešlią žolę.
	Veja per drėgna.	Prieš pjaudami patikrinkite vejos būklę; jei žolė per drėgna, palaukite, kol vėjas ar saulė ją išdžiovins po lietaus ar rasos.
	Važiavimo greitis per didelis.	Sumažinkite važiavimo greitį.
	Peiliai sukasi per lėtai.	Padidinkite peilių sukimosi greitį.
Trumpa pjovimo trukmė.	Pjaunant vešlią žolę pjovimo trukmė gali sutrumpėti.	Pakelę pjovimo platformą arba sumažinę peilių sukimosi greitį galite pailginti pjovimo su viena įkrova trukmę.
Traktoriukas sunkiai valdomas.	Skirtingas oro slėgis padangose.	Pagal nurodymus šiame vadove reguliariai tikrinkite oro slėgį traktoriuko padangose.

Lietuvių k.

PROBLEMA	GALIMA PRIEŽASTIS	SPRENDIMAS
Traktoriukas neįsijungia po plovimo.	Netinkamas plovimas: vanduo pateko į LED ekraną, baterijų skyrių ar kitus elektroninius komponentus.	<ol style="list-style-type: none"> 1. Prašome laikytis įrenginio valymo nurodymų. 2. Jei traktoriuką netyčia užlijote, pastatykite jį sausoje vietoje 12 valandų, kad išdžiūtų, arba prieš darbą išdžiovinkite suslėgtojo oro srove. 3. Kreipkitės į Cramer techninės priežiūros specialistus.
Traktoriukas užblokuotas.	Piktžolės ir šiukšlės užkimšo pjovimo platformą.	Prašome laikytis traktoriuko valymo po kiekvieno naudojimo instrukcijų.
Stovėjimo padėtyje įrenginys slysta šlaitu ir buksuoja.	Nudilę padangos.	Kreipkitės į techninės priežiūros specialistus, kad pakeistų padangas.
	Elektromagnetinis stabdys sugadintas arba sudilęs.	Kreipkitės į techninės priežiūros specialistus, kad pakeistų elektromagnetinį stabdį.
	Elektromagnetinis stabdys atleistas rankiniu būdu.	Patikrinkite elektromagnetinį stabdį ir grąžinkite jį į pradinę padėtį.

10 TECHNINIAI DUOMENYS

Modelio Nr.	82ZT107
Įtampa	82 V
Bendroji traktoriuko masė	106±3 kg
Ilgis	170 cm
Aukštis	117 cm
Plotis (su nuopjovų išmetimo loveliu)	135 cm
Plotis (be nuopjovų išmetimo lovelio)	107 cm
Pjovimo platformos plotis	107 cm
Važiavimo pirmyn greitis	0-7.5 mph
Važiavimo atbuline eiga greitis	0-3 mph
Pjovimo aukščio diapazonas	3.81-11.4 cm
Aukščio reguliavimo lygmenys	7 vnt.
Variklio sūkių skaičius be apkrovos	2400/3000/3200 sūkiai/min.
Įkrovimo trukmė	4 val. (su 8 A įkrovikliu)
Variklio galia	1.2 kW (peilių variklis)
	1.2 (pavaros variklis)
Maks. šlaito nuolydis	15°
Peilių skaičius (išmetimas / mulčiavimas)	2 vnt.
Išmatuotas garso slėgio lygis	$L_{pA} = 85.63 \text{ dB(A)}$, $K_{pA} = 3 \text{ dB(A)}$
Išmatuotas garso galios lygis	$L_{wA} = 98.61 \text{ dB(A)}$
Garantuotas garso galios lygis	$L_{wA,d} = 100 \text{ dB(A)}$
Vibracija	Rankos: $\leq 2.5 \text{ m/s}^2$, $K = 1.5 \text{ m/s}^2$
	Kūnas: $\leq 2.5 \text{ m/s}^2$, $K = 1.5 \text{ m/s}^2$

11 RIBOTOJI GARANTIJA

11.1 ŠIOS GARANTIJOS APRĖPTIS

Cramer šią garantiją suteikia tik pirmajam pirkėjui („Savininkui“), t. y. šios garantijos negalima perleisti.

A. Naudojimas namų ūkyje: Cramer gaminiais, kurie naudojami įprastame namų ūkyje*, suteikiama penkerių (5) metų arba 1 500 bendro naudojimo valandų (kas pasibaigia anksčiau) garantija nuo įsigijimo datos; ši garantija taikoma visoms važiuoklės, pjovimo platformos ir baterijų medžiagoms ir gamybai. Susidėvintiems dalims, pvz., padangoms ir peiliams, suteikiama trisdešimties (30) dienų garantija nuo įsigijimo datos. Jei garantinio laikotarpio metu Savininkas aptinka medžiagų ar gamybos defektus:

- Savininkas privalo nedelsiant pranešti Cramer arba įgaliotajam atstovui apie defektą raštu arba el. laišku, telefonu, programėleje arba asmeniškai. Tokio pranešimo Cramerar įgaliotasis atstovas jokiais atvejais negali gauti vėliau, nei praėjus penkeriems (5) metams nuo įsigijimo datos.
- Per pagrįstą laiką po tokio pranešimo gavimo ir garantinio defekto patikrinimo Cramer pašalins bet kokį gaminio medžiagos ar gamybos defektą, Cramer savo nuožiūra suremontuodamas ar pakeisdamas dalį (-is) naujomis ar naudotomis atsarginėmis dalimis.
- Tokį remontą, įskaitant dalių ir darbo kaštus, Cramer atliks savo lėšomis ir tik pirmajam Savininkui.

B. Naudojimas komerciniams tikslais: Cramer gaminiais, kurie naudojami komerciniams ar įstaigos tikslams, suteikiama penkerių (5) metų arba 1 500 bendro naudojimo valandų (kas pasibaigia anksčiau) garantija nuo įsigijimo datos; ši garantija taikoma visoms važiuoklės, pjovimo platformos ir baterijų medžiagoms ir gamybai. Susidėvintiems dalims (įskaitant padangas ir peilius, tačiau jomis neapsiribojant) suteikiama trisdešimties (30) dienų garantija nuo įsigijimo datos. Jei garantinio laikotarpio metu Savininkas aptinka medžiagų ar gamybos defektus:

- Savininkas privalo nedelsiant pranešti Cramer arba įgaliotajam atstovui apie defektą raštu arba el. laišku, telefonu, programėleje arba asmeniškai. Tokio pranešimo Cramerar įgaliotasis atstovas jokiais atvejais negali gauti vėliau, nei praėjus penkeriems (5) metams nuo įsigijimo datos.
- Per pagrįstą laiką po tokio pranešimo gavimo ir garantinio defekto patikrinimo Cramer pašalins bet kokį gaminio medžiagos ar gamybos defektą, Cramer savo nuožiūra suremontuodamas ar pakeisdamas dalį (-is) naujomis ar naudotomis atsarginėmis dalimis.
- Tokį remontą, įskaitant dalių ir darbo kaštus, Cramer atliks savo lėšomis ir tik pirmajam Savininkui (komerciniam).

i PASTABA

Netinkamai prižiūrint baterijas ir jų neįkraunant, sutrumpėja jų eksploatavimo trukmė ir panaikinama baterijoms suteikta garantija. Šios ribotos garantijos sąlygos netaikomos gedimams, kurie įvyko dėl šių priežasčių:

- Nepriežiūros ar aplaidumo, pvz., sugadinimo dėl patekusio vandens, atspalaidavusių laidų ar surūdijusių komponentų.
- Tinkamos techninės priežiūros trūkumo; sugadinimo dėl netinkamo baterijos įstatymo; nepriežiūros, sulūžimo, ekstremalių temperatūrų poveikio, įskaitant, tačiau neapsiribojant, šalčio, kaitros, šildymo šaltinių artumo, įskaitant šildytuvus ir ugnį, vandens ar kitų medžiagų poveikio, avarijos, neįkrautos ar per daug įkrautos baterijos.
- Baterijų įkrovimo kitomis nei originalaus baterijų įkroviklio sistemomis.

Išnaša: * „Naudojimas įprastame namų ūkyje“ šiame dokumente reiškia, kad gaminys naudojamas toje pačioje teritorijoje, kur yra jūsų namas. Jei įrenginys naudojamas daugiau nei vienoje vietoje, toks naudojimas laikomas komerciniu ir jam taikomos komercinės garantijos sąlygos.

11.2 KAS PRIVALO VYKDYTI GARANTINĮ REMONTĄ

Visas garantinio remonto procedūras turi atlikti Cramer įgaliotasis atstovas arba Cramer įgaliotasis techninės priežiūros specialistas. Techninės priežiūros specialisto iškvietimo garantiniam remontui atlikti ar gaminio gabenimo į techninės priežiūros centrą ir atgal išlaidas padengia gaminio savininkas. Dėl garantinio remonto prašome kreiptis į įgaliotąjį atstovą.

11.3 KADA GARANTIJA NEGALIOJA

Cramer garantijos nesuteikia:

- Jei remontą vykdė neįgalioji asmenys.
- Jei gedimo priežastis buvo Cramer gaminio naudojimas kitiems tikslams, nei jis numatytas.

- Jei gedimą sukėlė stichinės nelaimės, pvz., gaisras, potvynis, audra ar žaibas.
- Jei gedimo priežastis buvo nepriežiūra, aplaidumas, netinkamas naudojimas, nelaimingas atsitikimas, neatsargumas ar toks netinkamas naudojimas, kaip sugadinimas įsiskverbus vandeniu.
- Jei gedimo priežastis buvo remontui ar keitimui naudotos neoriginalios dalys, priedai ar įtaisai.
- Jei gedimo priežastis buvo gaminio modifikavimas (konstrukcijos pakeitimas) pagal Cramerapibrėžimą, kuris pakenkė įrenginio darbui, eksploataavimo savybėms ir patvarumui.
- Kitų gamintojų, o ne Cramergaminiams, komponentams ar dalims.
- Gaminiams, kurių pakeisti identifikatoriai, įskaitant, tačiau neapsiribojant su pašalintais ir (ar) neįskaitomais serijos numeriais.
- Susidėvėjimui ar pažeidimui dėl įprasto dilimo, tinkamos techninės priežiūros trūkumo, gaminio vadovo darbo, techninės priežiūros ir reguliavimo ar kitų instrukcijų, kurias pateikė Cramer, nesilaikymo.
- Įprastoms techninės priežiūros ir eksploatacinėms medžiagoms, įskaitant, tačiau neapsiribojant tepimo priemonėmis, reguliavimo dalims, peiliams, peilių galandimui, guoliams, stabdžių ar vairo reguliavimui.
- Gaminiams, kurie netinkamai užprogramuoti, įskaitant parametrų pakeitimą, neoriginalias programėles ar reguliavimą arba bet kokį neteisėtą komponentų, elektroninių dalių ar programinės įrangos pakeitimą.

11.4 GARANTIJOS RIBOJIMAS

Šiame vadove pirmiau pateikta garantija pakeičia visas kitas garantijas, susijusias tiesiogiai ar netiesiogiai, įskaitant, tačiau neapsiribojant numanomomis tinkamumo pardavimui ir tam tikram tikslui garantijas. Vis dėlto, jei Cramer gaminys yra įsigytas kaip vartojimo prekė, bet kokia numanoma tinkamumo pardavimui ar tam tikram tikslui garantija yra apribojama šios ribotos garantijos galiojimo laikotarpiu. Kai kuriose valstybėse neribojama numanomoms garantijoms trukmė, todėl čia pateikti ribojimai gali būti jums netaikomi. Ši garantija jums suteikia konkrečias įstatymais numatytas teises ir jūs galite turėti kitų teisių, kurios skirtingose šalyse skiriasi.

11.5 KOMPENSACIJŲ RIBOJIMAS

Jokias atvejais Cramer neatsako už bet kokią specialią, atsitiktinę ar logiškai išplaukiančią žalą, atsiradusią dėl garantijos nutraukimo, sutarties nutraukimo, aplaidumo, griežtos atsakomybės už veiksmus ar bet kokio kito įstatyminio reglamentavimo. Tokia žala gali būti, įskaitant, tačiau neapsiribojant:

- Pelno praradimas.
- Santaupų ar pajamų praradimas.
- Negalėjimas naudotis Cramer gaminio ar susijusia įranga.
- Investicinės išlaidos.
- Išlaidos bet kokiai pakaitiniam įrangai, priemonėms, paslaugoms ar dėl prastovų.
- Trečiųjų šalių pretenzijos, įskaitant klientus, ir turto sugadinimas.

11.6 LAIKO RIBA

Jei valstybės įstatymuose nenurodyta kitaip:

Bet kokie veiksmai dėl garantijos pažeidimo turi būti įvykdyti per penkerius (5) metus arba šešiasdešimt (60) mėnesių nuo įsigijimo datos namų ūkio ir (ar) komerciniams tikslams.

Jei prieš įsigijant pirmajam klientui gaminio pagaminimo data viršija pagrįstą laikotarpį, Cramer garantija gali būti papildomai apribota.

11.7 JOKIŲ KITŲ GARANTIJŲ

Šis susitarimas turi būti suprantamas kaip išsami ir išskirtinė sutartis tarp šalių, pakeičianti visas ankstesnes sutartis, sudarytas žodžiu ar raštu, ir visą bendravimą tarp šalių, susijusį su šios sutarties dalyku.

11.8 SAVININKO ATSAKOMYBĖ

Jūs privalote prižiūrėti savo Cramer gaminį pagal savininko vadove aprašytas techninės priežiūros instrukcijas. Šias reguliarias techninės priežiūros procedūras jūs turite atlikti savo lėšomis, net jei jas atlieka įgijotasis atstovas.

Šis įrenginys, kaip ir bet kokia kita elektra varoma įranga, netinkamai naudojamas gali būti pavojingas. Bet kuris įrenginį naudojantis operatorius turi būti atsargus ir dirbti saugiai. Prieš pradėdamas naudoti Cramer gaminį operatorius turi perskaityti savininko vadovo skyrius apie darbą su įrenginiu ir jo saugą, taip pat visus ant įrenginio pateiktus įspėjimus dėl saugos.

11.9 RIZIKOS PASKIRSTYMAS

Šioje sutartyje riziką dėl gaminio gedimo paskirstyta tarp Cramer ir Savininko. Šį paskirstymą pripažįsta abi šalys ir jis įtrauktas į gaminio kainą.

11.10 GARANTIJOS REGISTRAVIMAS

Jei valstybės įstatymuose nenurodyta kitaip:

1. Savininkai įrenginį privalo užregistruoti Cramer per dešimt (10) dienų nuo įsigijimo datos.
2. Registruoti galima užpildant garantijos registracijos formą, kuri pateikta operatoriaus vadove.
3. Taip pat užregistruoti galima naudojant atitinkamas formas internete cramertools.com arba programėlėje, pateikiant įsigijimo įrodymą (čekį su įsigijimo data).

12 EB ATITIKTIES DEKLARACIJA

Gamintojo pavadinimas ir adresas:

Pavadinimas: Greenworks Tools Europe GmbH
Adresas: Brunnenweg 17, 64331 Weiterstadt, Vokietija

Pavardė ir adresas asmens, įgalioto parengti techninę dokumentaciją:

Pavadinimas: Ralf Pankalla
Adresas: Brunnenweg 17, 64331 Weiterstadt, Vokietija

Šiuo pareiškime, kad gaminys

Kategorija: Nulinio posūkio spindulio traktoriukas
Modelis: 82ZT107
Serijos Nr.: Žr. gaminio techninių duomenų plokštelę
Pagaminimo metai: Žr. gaminio techninių duomenų plokštelę

- atitinka susijusias Mašinų direktyvos 2006/42/EB nuostatas;
- atitinka šių kitų EB direktyvų nuostatas:
 - 2014/30/ES
 - 2011/65/ES ir (ES) 2015/863

Be to, patvirtiname, kad buvo vadovaujamosi šių Europos darniųjų standartų dalimis ir sąlygomis:

- EN 62841-1, EN ISO 5395-1, EN ISO 5395-3, EN ISO 14982, IEC 62321-3-1, IEC 62321-4, IEC 62321-5, IEC 62321-6, IEC 62321-7-1, IEC 62321-7-2, IEC 62321-8

Vieta, data: 11.11.2022

Parašas: Ted Qu, kokybės direktorius

Ted Qu

1	Apraksts.....	364	7.4	Griezes momenta vērtības.....	382
1.1	Pārskaits.....	364	7.5	Akumulatoru bloka apkope.....	382
1.2	Vadības panelis.....	364	7.6	Akumulatora nodalījuma filtra apkope....	382
2	Mašīnas izpakošana.....	365	7.7	Apkope.....	383
3	Uzstādīšana.....	365	8	Transportēšana un	
3.1	Sēdekļa uzstādīšana.....	365		uzglabāšana.....	384
3.2	Mulčēšanas pārsega uzstādīšana.....	365	8.1	Transportēšana.....	384
3.3	Stūres vadības sviras uzstādīšana.....	365	8.2	Tīrīšana un uzglabāšana.....	384
3.4	Neitrālās pozīcijas pārnesuma svira.....	366	9	Problēmu novēršana.....	386
3.5	Aizsargriteņi.....	366	10	Tehniskie dati.....	389
4	Ekspluatācijas instrukcija.....	366	11	Ierobežotā garantija.....	389
4.1	Pirms ekspluatācijas.....	366	11.1	Gadījumi, uz kuriem attiecas garantija...	389
4.2	Mašīnas lietošana.....	368	11.2	Kas veic garantijas servisu?.....	390
5	Elektriskā sistēma.....	373	11.3	Gadījumi, uz kuriem neattiecas	
5.1	Elektriskās sistēmas drošums.....	373		garantija.....	390
5.2	Informācija par elektrisko sistēmu.....	373	11.4	Garantijas atruna.....	391
5.3	Digitālais displejs.....	373	11.5	Atbildības ierobežojumi.....	391
6	Kļūmes.....	374	11.6	Termiņa ierobežojums.....	391
6.1	Kļūdas kods.....	375	11.7	Citu garantiju nav.....	391
7	Apkope.....	380	11.8	Īpašnieka atbildība.....	391
7.1	Zāles plāvēja asmens apkope.....	380	11.9	Risku sadale.....	391
7.2	Riepas.....	381	11.10	Garantijas reģistrācija.....	391
7.3	Elļošana.....	382	12	ES atbilstības deklarācija.....	391

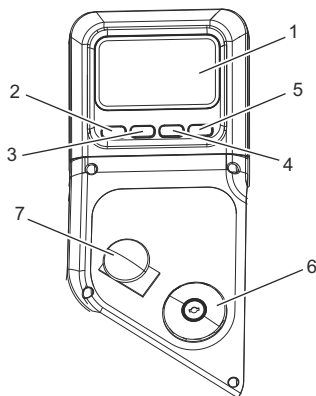
1 APRAKSTS

1.1 PĀRSKATS

Skatīt atsevišķu attēlu lapu 1-19

- | | |
|--|-------------------------------------|
| 1. Stūres vadības sviras | 20. Sērijas numurs |
| 2. Sēdekļa regulēšanas svira | 21. Pārī savienošanas kods |
| 3. Priekšējais lukturis | 22. QR kods |
| 4. Priekšējie riteņi | 23. Akumulatora nodalījums |
| 5. Izlādes tekne | 24. Akumulators |
| 6. Piedziņas riteņi | 25. Akumulatora fiksators |
| 7. Vadības panelis | 26. Izslēgts |
| 8. USB ports | 27. Ieslēgts |
| 9. Krūzes turētājs | 28. Iedarbināšanas atslēgas caurums |
| 10. Pļaušanas bloks | 29. Bultskrūve |
| 11. Aizsargriteņi | 30. Paplāksne |
| 12. Pļaušanas bloka augstuma regulēšanas svira | 31. Asmens |
| 13. Sēdekļa panelis | 32. Dārza šļūtene |
| 14. Sēdekļa spraudnis | 33. Ātri savienojamā uzmana |
| 15. Muļčas pārsegs | 34. Mazgāšanas pieslēgvietā |
| 16. Gultņu gredzens | 35. Eļļas notecināšanas atvere |
| 17. Stiprinājuma skavas | 36. Eļļas līmeņrādītis |
| 18. Montāžas balsts | |
| 19. Neitrālās pozīcijas pārnese svira | |

1.2 VADĪBAS PANELIS



#	Nosaukums	Funkcija
1.	Digitālais displejs	Šajā displejā tiek rādīta svarīga informācija par elektrisko sistēmu. Pilnīga informācija pieejama sadaļā „Elektriskā sistēma”.
2.	Asmens motora ātruma regulēšana / Atgriezies	Atrodies sākumlapā, pielāgo asmens ātrumu (ciklisko). Nospiediet pogu, lai atgrieztos iepriekšējā lapā.
3.	Navigācijas izvēlne / Lapa uz augšu	Novirza digitālo displeju uz pēdējo lapu. Atgriezies uz sākuma ekrānu.
4.	Lampiņas slēdzis / Lapa uz leju	Atrodies sākumlapā, ieslēdz/izslēdz lampiņas. Novirza digitālo displeju uz nākamo lapu.
5.	Braukšanas ātruma vadība / Apstiprināt	Atrodies sākumlapā, pielāgo braukšanas ātrumu (ciklisko). Nospiediet pogu, lai apstiprinātu.
6.	Barošanas slēdzis	Slēdzi izmanto, lai ieslēgtu un izslēgtu zāles pļāvēju.
7.	Pļaušanas bloka asmens ieslēgšanas/izslēgšanas slēdzis (jūgvārsta)	Ar šo slēdzi ieslēdz asmeņu motorus. Lai ieslēgtu motorus, pavelciet slēdzi uz augšu, un, lai izslēgtu, nospiediet slēdzi uz leju.

i SVARĪGI

Nekad neieslēdziet asmeņu motorus, ja uz pļaušanas bloka ir slodze. Var tikt bojāti motori vai pļaušanas bloks.

2 MAŠĪNAS IZPAKOŠANA

▲ BRĪDINĀJUMS

Pirms sākat lietot mašīnu, pārlicinieties, vai tā ir pareizi salikta.

▲ BRĪDINĀJUMS

- Neizmantojiet mašīnu, ja tās daļas ir bojātas.
- Ja trūkst kādas daļas, nelietojiet mašīnu.
- Ja trūkst kādas daļas vai tās ir bojātas, sazinieties ar servisa centru.

1. Atveriet iepakojumu.
2. Izlasiet komplektācijas kārbā iekļauto dokumentāciju.
3. Izņemiet no komplektācijas kārbas visas nesamontētās daļas.
4. Izņemiet no komplektācijas kārbas mašīnu.
5. Atbrīvojieties no kārbas un iepakojuma materiāla atbilstoši vietējiem noteikumiem.

▲ BRĪDINĀJUMS

Jūsu drošības labad neievietojiet akumulatoru instrumentā, kamēr tas nav pilnībā samontēts.

3 UZSTĀDĪŠANA

3.1 SĒDEKĻA UZSTĀDĪŠANA

Skatīt attēlu 3

1. Novietojiet sēdekļa komplektu virs sēdekļa paneļa un salāgojiet caurumus atbilstoši attēlā norādītajam.
2. Ievietojiet skrūves, paplāksnes un uzgriežņus un stingri pievelciet.
3. Pēc tam piestipriniet uzmavas pie uzgriežņiem.
4. Pārlicinieties, vai tās ir stingri nofiksētas.
5. Savienojiet sēdekļa spraudni ar mašīnu.

3.2 MULČĒŠANAS PĀRSEGA UZSTĀDĪŠANA

Skatīt attēlu 4

Piegādes brīdī zāles plāvējs ir konfigurēts nopļautās zāles izlādēšanai no sāniem. Ja ir nepieciešama mulčēšana:

1. Novietojiet mulčas pārsegu uz plāvēja korpusa izciļņa.
2. Savienojiet mulčas pārsega caurumus ar plāvēja korpusa caurumiem.
3. Ievietojiet un pieskrūvējiet bulskrūves, skrūves, stiprinājuma skavas un gultņu gredzenu, kā tas parādīts attēlā.

3.3 STŪRES VADĪBAS SVIRAS UZSTĀDĪŠANA

Skatīt attēlu 5-6

▲ BRĪDINĀJUMS

Kreisā un labā stūres svira ir jānoregulē tā, lai neitrālā stāvoklī tās sakristu viena ar otru. NEKAD neuzstādiet stūres sviras asimetriskā darba augstumā.

1. Paceliet vienu stūres vadības sviru, lai salāgotu sviras caurumus ar caurumiem attiecīgajā montāžas balstā.
2. Izvēlieties vēlamo stūres sviras darba augstumu. Ievietojiet caurumā skrūvi kopā ar paplāksni.
3. Lai nostiprinātu stūres sviru, izmantojiet uzgriežņu atslēgu (13*16 mm).
4. Tādā pašā veidā uzstādiet arī otru stūres vadības sviru.

▲ PIESARDZĪBU

Neuzstādiet stūres vadības sviru pretējā secībā.

3.3.1 STŪRES VADĪBAS SVIRAS

Ar abām svirām regulē zāles plāvēja ātrumu, virzienu, apturēšanu, bloķēšanu neitrālā stāvoklī un stāvbremzi. Sviras tiek izmantotas, lai vadītu, paātrinātu, palēninātu, apturētu mašīnu vai mainītu tās virzienu. Kad vadības sviras ir stāvbremzes stāvoklī, zāles plāvējs nekustas.

i PIEZĪME

Vienmēr stūrējiet ar abām rokām. Nestūrējiet tikai ar vienu roku.

3.3.2 LIETOTNES IZMANTOŠANA

Skatīt attēlu 9-10

1. Apmeklējiet Autoparka pārvaldības tīmekļa vietni: fleet.cramertools.com
2. Izveidojiet kontu un pēc tam piesakieties lietotnē.
3. Uzaiciniet citus lietotājus pievienoties savai organizācijai.
4. Noskenējiet QR kodu, lejupielādējiet lietotni un piesakieties sistēmā.
5. Pievienojiet ierīci. Atrodiet sērijas numuru, pārī savienošanas kodu un QR kodu, kas atbilst šajā rokasgrāmatā norādītajam transportlīdzekļa etiķetes kodam. Noskenējiet QR kodu vai ievadiet to manuāli.

3.4 NEITRĀLĀS POZĪCIJAS PĀRNESUMA SVIRA

Skatīt attēlu 7-8

1. Lai atbloķētu riteņus, pavelciet neitrālās pozīcijas pārnesuma sviras uz āru un pēc tam uz leju.
2. Lai bloķētu riteņus, pārvietojiet neitrālās pozīcijas pārnesuma sviras atpakaļ pozīcijā.

▲ BRĪDINĀJUMS

Nekad nebrauciet ar zāles plāvēju, kad ir ieslēgta neitrālās pozīcijas pārnesuma svira. Pirms braukšanas vienmēr uzstādiet neitrālās pozīcijas pārnesuma sviru tās sākotnējā stāvoklī! Sviras neuzstādīšana sākotnējā stāvoklī var radīt nopietnus bojājumus zāles plāvējam, un zāles plāvēja garantija var tikt anulēta!

▲ BRĪDINĀJUMS

Nekad neatbloķējiet neitrālās pozīcijas pārnesuma sviru, kamēr mašīna pļauj slīpumā!

3.5 AIZSARGRITEŅI

Skatīt attēlu 2

Aizsargriteņu komplekti ietilpst standarta Cramer komplektācijā. Šie aizsargriteņi ir izstrādāti, lai samazinātu riteņu bojājumus, pļaujot uz raupjas virsmas, nelīdzenā reljefā. Pēc pļaušanas augstuma iestatīšanas noregulējiet aizsargriteņus tā, lai tie atrastos zem pļaušanas bloka līmeņa, bet nesaskartos ar zemi. Tiem vienmēr jābūt vismaz 0,6–1,9 cm zem pļaušanas bloka līmeņa. Mašīnai atrodies uz līdzenas virsmas, riteņa stāvokli pēc vajadzības var noregulēt uz augšu vai uz leju no 1,9 cm līdz 4,4 cm zem asmens virsmas. Pārvietojiet riteņus uz augšu vai uz leju, izmantojot ass stiprinājuma caurumus riteņa stiprinājuma kronšteinā (ja ar tādiem ir aprīkots modelis).

4 EKSPLUATĀCIJAS INSTRUKCIJA

4.1 PIRMS EKSPLUATĀCIJAS

4.1.1 SĒDEKĻA REGULĒŠANA

Skatīt attēlu 11

▲ BRĪDINĀJUMS

Pirms katras lietošanas reizes pārbaudiet, vai ir stingri pieskrūvēts sēdekļa panelis, lai novērstu sēdekļa pārvietošanos/sasvēršanos zāles plāvēja apgāšanās gadījumā.

1. Pirms sēdekļa regulēšanas pabīdiet stūres vadības sviras uz āru STĀVBREMZES pozīcijā.
2. Apsēdieties uz sēdekļa un paceliet sēdekļa regulēšanas sviru.
3. Pieturot sviru, pabīdiet sēdekli vēlamajā pozīcijā.
4. Pirms zāles plāvēja iedarbināšanas atļaidiet sviru un pārliecinieties, vai sēdekļi ir pietiekami labi nostiprināts.

▲ BRĪDINĀJUMS

Pirms zāles plāvēja iedarbināšanas pārliecinieties, vai sēdekļi ir pietiekami labi nostiprināts. Nepietiekami nostiprināts sēdekļis var izkustināt operatoru no vietas, tādējādi operatoram zaudējot vadību pār zāles plāvēju, kā rezultātā var iestāties nāve vai rasties nopietni miesas bojājumi.

4.1.2 BLOKA PĻAUŠANAS AUGSTUMA NOREGULĒŠANA

Skatīt attēlu 12

Pirms sākat izmantot zāles plāvēju, paceliet pļaušanas bloka augstumu zāliem vispiemērotākajā pļaušanas augstumā.

Pļaušanas bloka augstumu var noregulēt no 3.81-11.4 cm. Pļaušanas laikā pļaušanas blokam jābūt paceltam, lai izvairītos no celmiem, akmeņiem vai citiem šķēršļiem, kas var sabojāt zāles plāvēja bloku.

▲ PIESARDZĪBU

Bloka augstuma noregulēšanas laikā stingri satveriet bloka augstuma regulēšanas sviru un atļaidiet tikai tad, kad bloks ir nostiprināts vajadzīgajā stāvoklī. Ātras sviras atlaišanas gadījumā var tikt saspiestas vai ierautas operatora plaukstas.

1. Apturiet zāles plāvēju un izslēdziet asmeņus.
2. Pagrieziet atslēgu pozīcijā OFF (Izslēgts) un ieslēdziet stāvbremzi.
3. Lai paceltu pļaušanas bloku, satveriet bloka augstuma regulēšanas sviru un, lai atbrīvotu no iestatītā stāvokļa, nospiediet pa kreisi, pārvirziet uz zāles plāvēja aizmuguri, pēc tam, lai nofiksētu, nospiediet pa labi attiecīgajā stāvoklī.
4. Lai nolaistu pļaušanas bloku uz leju, satveriet bloka augstuma regulēšanas sviru, nospiediet pa kreisi, lai atbrīvotu no iestatītā stāvokļa, pārvirziet uz zāles plāvēja priekšpusi, pēc tam nospiediet pa labi attiecīgajā stāvoklī, lai nostiprinātu.

4.1.3 STŪRES VADĪBAS SVIRAS NOREGULĒŠANA

Operatora ērtībām var noregulēt stūres vadības sviras. Atskrūvējot vāciņa skrūves, kas savieno augšējo vadības sviru ar apakšējo, augšējo vadības sviru var pagriezt atbilstoši operatoram ērtā stāvoklī. Stūres vadības sviras ir jāneregulē tā, lai neitrālā stāvoklī tās sakristu viena ar otru.

4.1.4 AKUMULATORU BLOKA IEVIETOŠANA

Skatīt attēlu 13

Lai pārbaudītu, vai zāles plāvēja akumulatori ir pilnībā uzlādēti, pārbaudiet akumulatora uzlādes statusa indikatoru. Plašāku informāciju skatīt akumulatora rokasgrāmatā.

1. Paceliet sēdekļa paneli.
2. Noņemiet akumulatora nodaļējuma vāciņu.
3. Izņemiet no akumulatora nodaļējuma akumulatoru bloku.

▲ BRĪDINĀJUMS

Savienojiet akumulatoru bloka izciņņus ar akumulatora pieslēgvietu. Pārliecinieties, vai akumulatora fiksators vienmērīgi noklikšķinājis akumulatora nodaļējuma.

4.1.5 PIRMS MAŠĪNAS EKSPLUATĒŠANAS

- Nodrošiniet, lai darba zonā neatrastos bērni, klātesošie un mājdzīvnieki.
- Attīriet darba zonu no jebkādiem priekšmetiem, kurus plāvēja asmeņi var atsviest.
- Pārbaudiet bremžu darbību.
- Pārbaudiet spiedienu rieņās.

- Pārbaudiet, vai nav atskrūvējies kāds stiprinājums.
- Pārbaudiet, vai visi aizsargi atrodas savās vietās un darbojas pareizi.
- Notīriet gruzus no zāles plāvēja.
- Pārbaudiet drošības bloķēšanas sistēmu.
- Noregulējiet sēdekli sev nepieciešamajā pozīcijā.
- Pārbaudiet akumulatora uzlādes līmeni.

4.1.6 DROŠĪBAS BLOĶĒŠANAS SISTĒMA

Mašīna ir aprīkota ar drošības palaišanas bloķēšanas sistēmu, kas sastāv no stāvbremzes slēdžiem, operatora klātbūtnes slēdža un pļaušanas bloka asmeņu IESLĒGŠANAS un IZSLĒGŠANAS slēdža.

Zāles plāvēja drošības palaišanas bloķēšanas sistēma ir izstrādāta arī, lai aizsargātu operatoru un citus no traumām gūšanas, ko var izraisīt netīša vilces piedziņas sistēmas iedarbināšana.

Katru dienu pirms ekspluatācijas pārbaudiet zāles plāvēja drošības palaišanas bloķēšanas sistēmu. Šī sistēma ir svarīga zāles plāvēja drošības funkcija. Ja tā nedarbojas, nekavējoties salabojiet. Mašīnā ir atsevišķs operatora klātbūtnes slēdzis, kas aptur piedziņas sistēmu un pļaušanas bloka motorus, tīklīdz operators kāda iemesla dēļ paceļas no sēdvietas ieslēgta zāles plāvēja laikā. Šī ir drošības funkcija, kas paredzēta, lai novērstu aizriepošanu vai nejausu iepīšanos.

▲ BRĪDINĀJUMS

Drošības bloķēšanas sistēmu nav atļauts atvienot vai apiet. Pretējā gadījumā mašīna var negaidīti ieslēgties, izraisot miesas bojājumus.

Lai pārbaudītu sistēmu:

1. Pārbaudot operatora klātbūtnes slēdzi — operatoram jāatrodas uz sēdekļa.
2. Pagrieziet atslēgu, lai iedarbinātu mašīnu.
3. Pavelciet stūres vadības sviras stāvbremzes stāvoklī.
4. Pavelciet uz augšu jūgvārpstas slēdzi, lai ieslēgtu motoru.
5. Lēnām piecelieties no sēdekļa. Pļaušanas bloka asmeņu sistēmai ir jāapstājas.
6. Ja pļaušanas bloka asmeņu sistēma neapstājas, kad operators ir piecēlies no sēdekļa un ja cēloni nevar noteikt, nekavējoties sazinieties Cramer ar savu izplatītāju.

4.2 MAŠĪNAS LIETOŠANA

4.2.1 MAŠĪNAS IEDARBINĀŠANA

Skatīt attēlu 14

i PIEZĪME

Pirms zāles plāvēja iedarbināšanas nodrošiniet, lai apkārtējā zonā neatrastos klātesošie. Ja kāds ienāk pļaušanas zonā, nekavējoties apturiet mašīnu un neatsāciet pļaušanu, kamēr apkārtējie nav devušies projām no darba zonas.

1. Paceliet pļaušanas bloku visaugstākajā pozīcijā.
2. Ievietojiet palaišanas atslēgu un pagrieziet pozīcijā ON (ieslēgt).
3. Ievelciet labo un kreiso stūres vadības sviru uz iekšu.
4. Pavelciet uz augšu pļaušanas bloka jūgvārpstas slēdzi, lai ieslēgtu asmeņus.

i PIEZĪME

Asmeņus ieslēdziet tikai tad, kad stūres vadības sviras ir NEITRĀLĀ pozīcijā! NEKAD neieslēdziet asmeņus mašīnas pārvietošanās laikā!

5. Pārvietojiet stūres vadības sviras uz priekšu (D) un brauciet uz nepieciešamo pļaušanas vietu.

i PIEZĪME

Rīkojieties piesardzīgi, šķērsojot grants ceļņus vai piebraucamos ceļus. Pirms šķērsošanas izslēdziet asmeņus un paceliet pļaušanas bloku augstākajā pozīcijā, lai samazinātu atsišanās iespējamību. Brauciet lēnām, lai nezaudētu saķeri ar virsmu un vadību.

i PIEZĪME

Nemēģiniet mainīt pļaušanas virzienu, kamēr plāvējs pārvietojas. Pirms pļaušanas virziena maiņas vienmēr pilnībā apturiet pļāvēju.

i PIEZĪME

Ja atļaidīsiet stūres vadības sviras, tās atlēks atpakaļ neitrālā pozīcijā, taču, lai ieslēgtu neitrālo pozīciju, tās ir jāieslēdz manuāli.

4.2.2 BRAUKŠANA AR ZĀLES PĻĀVĒJU

Pēc vilces piedziņas sistēmas iedarbināšanas ieslēdziet stūres vadības sviras un stūrējiet šādi:

▲ BRĪDINĀJUMS

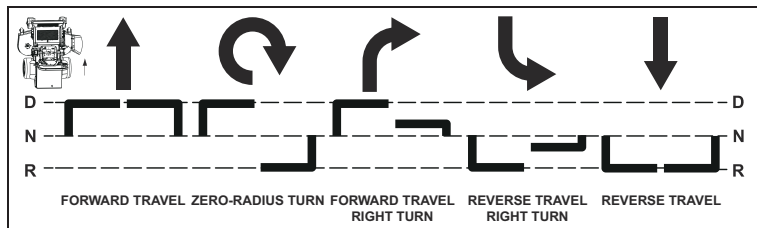
Pirms braukšanas atpakaļgaitā vienmēr apskatieties, kas atrodas aiz pļāvēja. Nepļaujiet pretējā virzienā, ja vien tas nav absolūti nepieciešams. Pirms braukšanas atpakaļgaitā vai tās laikā vispirms paskatieties uz leju un pēc tam atpakaļ.

▲ BRĪDINĀJUMS

Strauja stūres vadības sviru pārvietošana nav vēlama, jo var rasties elektriskās sistēmas komponentu bojājumi.

- **Lai dotos uz priekšu**, pabīdiet stūres vadības sviras uz priekšu vienādā attālumā.
- **Lai brauktu atpakaļgaitā**, pavelciet stūres vadības sviras atpakaļ vienādā attālumā.
- **Lai pagrieztos pa kreisi**, pārslēdziet labās puses stūres vadības sviru no neitrālās pozīcijas uz priekšu tālāk par kreiso stūres vadības sviru.
- **Lai pagrieztos pa labi**, pārslēdziet kreisās puses stūres vadības sviru no neitrālās pozīcijas uz priekšu tālāk par labo stūres vadības sviru.
- **Lai veiktu nulles rādīusa pagriezienu**, pārvietojiet vienu stūres vadības sviru uz priekšu un otru stūres vadības sviru atpakaļ. Šādā veidā piedziņas riteņus varēs pagriezt pretējā virzienā.
- **Lai apturētu vai samazinātu ātrumu**, pārslēdziet stūres vadības sviras neitrālā pozīcijā. Braucot uz priekšu, uzmanīgi pavelciet atpakaļ stūres vadības sviras. Braucot atpakaļgaitā, uzmanīgi pārslēdziet uz priekšu stūres vadības sviras.
- **Lai apturētu mašīnu avārijas gadījumā**, var izmantot divas metodes:
 - Braucot uz priekšu vai atpakaļgaitā, nekavējoties pārslēdziet stūres vadības sviras stāvbremzes pozīcijā. Braucot atpakaļvirzienā, uzmanīgi nospiediet uz priekšu stūres vadības sviras un izvairieties no pēkšņām kustībām. Jebkāda pēkšņa kustība var izraisīt zāles pļāvēja priekšējās daļās nolaišanos zemē, kā rezultātā operators var zaudēt vadību, tādējādi radot nopietnus savainojumus vai nāvi.
 - Pagrieziet iedarbināšanas atslēgu pozīcijā „OFF”. Tādējādi tiks izslēgta vilces piedziņas sistēma un pļaušanas bloka piedziņas sistēma.
- **Lai veiktu trīspunktu pagriezienu pa labi**, pabīdiet kreiso stūres vadības sviru no neitrālās pozīcijas uz priekšu tālāk par labās stūres vadības sviru un sāciet pagriezienu. Pēc tam pavelciet atpakaļ stūres vadības sviras, līdz tās atrodas aiz neitrālās pozīcijas, un mašīna sāk braukt atpakaļgaitā. Pavelciet labo stūres vadības sviru no neitrālā stāvokļa uz aizmuguri tālāk par kreiso stūres vadības sviru, kamēr pagriežas mašīnas aizmugure. Pēc tam pabīdiet stūres vadības sviras uz priekšu, līdz tās abas atrodas aiz neitrālās pozīcijas, un mašīna sāk braukt uz priekšu. Pabīdiet kreiso stūres vadības sviru no neitrālās pozīcijas uz priekšu tālāk par labo stūres vadības sviru un pabeidziet griešanos.
- **Lai palielinātu ātrumu**, palieliniet stūres vadības sviras attālumu no neitrālās pozīcijas. Jo tālāk uz priekšu aiz neitrālās pozīcijas atradīsies stūres vadības sviras, jo ātrāk mašīna brauks uz priekšu. Jo tālāk atpakaļvirzienā aiz neitrālās pozīcijas atradīsies stūres vadības sviras, jo ātrāk mašīna brauks atpakaļgaitā.

ZĀLES PĻĀVĒJA PRIEKŠPUSE IR VĒRSTA ŠAJĀ VIRZIENĀ



N= NEITRĀLA POZĪCIJA

D = BRAUKŠANAS POZĪCIJA

R = ATPAKAĻGAITAS POZĪCIJA

Bultiņu virziens norāda zāles pļāvēja kustības virzienu



Kreisā stūres vadības svira

Labā stūres vadības svira

4.2.3 MAŠĪNAS APTURĒŠANA

▲ BRIESMAS

Nekad neapstājieties un nemainiet virzienu atpakaļgaitā strauji, it īpaši veicot manevrus slīpumā. Stūrei ir jutīga reakcija. Strauja stūres vadības sviru kustība jebkurā virzienā ar mašīnu var izraisīt nopietnus savainojumus.

1. Pārslēdziet stūres vadības sviras neitrālā pozīcijā. Pārslēdziet stūres vadības sviras uz āru stāvbremzes pozīcijā.
2. Lai izslēgtu asmeņus, nospiediet pļaušanas bloka asmeņu IESLĒGŠANAS/IZSLĒGŠANAS slēdzi (PTO).
3. Pagrieziet barošanas slēdža atslēgu izslēgtā pozīcijā „OFF”.

▲ PIESARDZĪBU

Lai novērstu nejaušu mašīnas iedarbināšanu, no mašīnas ieteicams izņemt iedarbināšanas atslēgu.

4.2.4 USB PORTA IZMANTOŠANA

Skatīt attēlu 15

USB uzlādes ports mobilajam tālrunim, MP3 atskaņotājam vai citām USB ierīcēm nodrošina 5 voltu līdzstrāvas uzlādes jaudu līdz 2,1 ampēriem. Informāciju par speciālajām uzlādes prasībām skatīt ierīces īpašnieka rokasgrāmatā.

Lai sāktu ierīces uzlādi, pievienojiet vienu USB kabeļa (nav iekļauts komplektā) galu savai ierīcei un otru galu zāles pļāvēja USB uzlādes portam.

i PIEZĪME

Ja mēģināsiet uzlādēt ierīces, kuru jauda pārsniedz 2,1 ampēri, var sabojāties USB uzlādes ports un/vai pļāvējs.

i PIEZĪME

USB portu darbina tikai tad, kad tiek iedarbināta mašīna.

▲ BRĪDINĀJUMS

Nekad ieslēgta zāles pļāvēja laikā neizmantojiet austiņas vai citas elektroniskas ierīces, piemēram, viedtālruni vai planšetdatoru. Pavirša rīcība var izraisīt negadījumu, kas var izraisīt nāvi vai nopietnus savainojumus operatoram vai klātesošajiem.

4.2.5 EKSPLUATĒŠANAS IETEIKUMI

▲ BRIESMAS

Pirms ekspluatācijas operatoram ir rūpīgi jāiepazīstas ar pareizu mašīnas lietošanu un ekspluatēšanu, pilnībā un rūpīgi jāizlasa rokasgrāmata, un, pirms sākt strādāt parastajā ātrumā, veikt lēnas kustības. Nepieredzējis operators nedrīkst pļaut slīpumā vai uz nelīdzena reljefa.

▲ BRĪDINĀJUMS

Ja ieslēgtas mašīnas laikā pēkšņi zaudējat stūres vadību, nekavējoties pārslēdziet stūres vadības sviras stāvbremzes pozīcijā un pagrieziet atslēgu IZSLĒGTĀ pozīcijā. Pārbaudiet mašīnu un sazinieties ar savu Cramer izplatītāju, lai atrisinātu problēmu pirms turpināt pļaušanu.

▲ BRĪDINĀJUMS

Mašīnas stūres vadības sviras ir ļoti jutīgas. Lai nodrošinātu vienmērīgu kustību, pārslēdziet sviras lēnām, neveiciet pēkšņas kustības. Lai iegūtu nepieciešamās prasmes un iemācītos vieglāk izmantot plāvēju, nepieciešama pieredze un zināšanas. Mašīna var pagriezties ļoti ātri. Rīkojieties piesardzīgi, veicot pagriezienus, un samaziniet ātrumu, pirms veicat asus pagriezienus.

Dažkārt nepieredzējuši operatori pārvērtē situāciju un zaudē vadību. Lai apgūtu šīs īpašības, pirms sākat strādāt normālā ātrumā, brauciet un pļaujiet lēnām.

▲ BRĪDINĀJUMS

Netuvojieties ar lielu ātrumu straujām pārejām vai izvīrtiem šķēršļiem (piemēram, notekcaurulēm vai apmalēm), lai mēģinātu tiem „pārlēkt”, jo operatori var izkrist no mašīnas. Tuvojieties tiem lēnā ātrumā un pagrieziet vienu piedziņas riteni leņķī pie šķēršļa. Turpiniet braukt leņķī, līdz ritenis atbrīvojas, un pēc tam pagrieziet pretējo riteni.

Ja griežaties mīkstā vai slapjā zālienā, ļaujiet abiem riteņiem ripot uz priekšu vai atpakaļ. Griešanās uz viena apturēta riteņa var sabojāt zālienu. Asmeņiem ir jābūt asiem. Daudzas problēmas saistībā ar nepareizi nopļautu zāli rodas neasu vai nepareizi uzasinātu asmeņu dēļ. Asmens asums ir jāpārbauda katru dienu.

▲ BRIESMAS

Nekad nestrādājiet ar asmeņiem, kamēr atslēga atrodas aizdedzes slēdzī. Vienmēr pārslēdziet pļaušanas bloka asmeņu IESLĒGŠANAS/IZSLĒGŠANAS slēdzi (PTO) izslēgtā stāvoklī, novietojiet stūres vadības sviras stāvbremzes pozīcijā un pagrieziet atslēgu IZSLĒGTĀ pozīcijā un izņemiet no slēdža atslēgu. Nobloķējiet zāles plāvēju, ja jums zem tā ir jāveic kādi darbi. Strādājot ar asmeņiem, valkājiet cimdus. Ja zāles plāvējs pļaušanas laikā atsitas pret kādu akmeni, zaru vai citu svešķermeņu, vienmēr pārbaudiet, vai asmens nav bojāts.

- **Izlādējiet zāli virzienā pa labi**, prom no nenopļautās vietas. Izvēlieties pļaušanas modeli, kas novirza zāles izlādi ārpus pļaušanas zonas. Parasti tas nozīmē izmantot modeli, kam nepieciešams pagriezties pa kreisi, jo sānu izlāde notiek virzienā pa labi. Jebkurā gadījumā neizlādējiet zāli uz nenopļauta laukuma, jo zāle pēc tam tiek nopļauta „divas reizes”. Pļaušana divreiz rada nevajadzīgu slodzi mašīnai un samazina pļaušanas efektivitāti.
- **Pļaujot zālienu pirmo reizi**, nopļaujiet zāli nedaudz augstāk nekā parasti, lai izvairītos no zāliena sabojāšanas nelīdzena reljefa. Ja iespējams, vislabāk ir izmantot iepriekš izmantoto pļaušanas augstumu. Pļaujot zāli, kas garāka par 152 mm (6 collām), iespējams, jums būs jānopļauj zāliens divas reizes, lai iegūtu labākus pļaušanas rezultātus.
- **Parastas pļaušanas laikā** pļaujiet tikai ar aptuveni 38 mm (1,5 collas) no zāles asmens garuma. Nav ieteicams pļaut vairāk, ja vien zāle nav reta vai pļaušanas sezona netuvojas beigām.
- **Ik pēc katras pļaušanas reizes nomainiet pļaušanas modeli**, lai zāle augtu taisni un varētu labāk izkļiedēt nopļauto zāli.
- **Neaizmirstiet, ka zāle dažādos gada laikos aug dažādos ātrumos.** Lai saglabātu vienādu pļaušanas augstumu, pļaujiet biežāk agrā pavasarī. Tā kā vasaras vidū augšanas ātrums palēninās, pļaujiet šajā periodā retāk. Ja nevarat pļaut regulāros intervālos, vispirms nopļaujiet lielā pļaušanas augstumā, pēc tam divas dienas vēlāk nopļaujiet vēlreiz zemākā pļaušanas augstumā.
- **Palieliniet plāvēja pļaušanas augstumu**, ja plāvēja pļaušanas platums ir lielāks par iepriekšējā plāvēja pļaušanas platumu. Šādi nelīdzena zāle netiks nopļauta par daudz.

- **Palieliniet plāvēja pļaušanas augstumu**, ja zāle ir nedaudz garāka par parasto garumu vai ja tajā ir augsts mitruma līmenis. Pēc tam nopļaujiet zāli vēlreiz ar zemāku pļaušanas augstumu.
- **Ja pļaušanas laikā mašīnas kustība uz priekšu ir jāaptur**, uz zāliena var nokrist nopļautās zāles puduris. Lai no tā izvairītos, pārvietojieties uz iepriekš nopļautu vietu ar ieslēgtiem asmeņiem.
- **Nekavējoties uzlādējiet akumulatoru**, ja mašīnas akumulatora uzlādes līmenis ir mazāks par 5 %.

Modeļa Nr.	Akumulatora ietilpība	Rīcība	Akumulatora ietilpība	Rīcība
82ZT107	≤5%	Maksimālais braukšanas ātrums būs 6.4 km/h.	≤5%	Darba asmens automātiski apstāsies. Mašīna ir nekavējoties jāatgriez atpakaļ akumulatora uzlādes zonā un jāpievieno akumulatora lādētājam.

- **Ļaujiet motoram 30 minūtes atdzist.** Ja piedziņas motors pārsniedz ieprogrammēto temperatūru, motora ātrums samazināsies. Ja temperatūra turpina paaugstināties, piedziņas sistēma, sasniedzot augstāk ieprogrammēto temperatūru, tiks izslēgta.

4.2.6 PĻAUŠANA SLĪPUMĀ

Skatīt attēlu 16

Nogāzes ir galvenais faktors, kas saistīts ar vadības zaudēšanu un apgāšanās negadījumiem, kas var novest pie smagu traumu gūšanas. Strādājot jebkurā slīpumā, jāievēro papildus piesardzība. Ja nevarat braukt atpakaļgaitā pa nogāzi vai jūtaties neērti, braucot pa to, nepļaujiet to.

- Brauciet slīpumā rozotāja ieteiktajā virzienā. Esiet piesardzīgs, strādājot tuvu pie nomalēm.
- Nelietojiet pļaujmašīnu apstākļos, ja ir radušās problēmas ar vilkmi, stūrēšanu vai stabilitāti. Riepas var slīdēt arī tad, ja riteņi ir apturēti.
- Braucot lejup slīpumā, vienmēr ieslēdziet pļaujmašīnu pārnēsūmā. Nebrauciet lejup slīpumā ar lielu ātrumu.
- Esiet īpaši uzmanīgs(-a), strādājot slīpumā.
- Aizliegts noņemt un pārveidot riteņus.
- Nebrauciet pāri bedrēm, grambām, akmeņiem vai citiem paslēptiem priekšmetiem. Mašīna nelīdzenā reljefā var apgāzties. Garā zālē var atrasties šķēršļi.
- Aizvāciet visus šķēršļus, piemēram, akmeņus, koku zarus, atkritumus utt.
- Pārvietojieties pa nogāzēm lēnām un pakāpeniski. Neveiciet pēkšņas ātruma vai virziena izmaiņas.
- Nepalaidiet un neapturiet pļaujmašīnu, atrodoties slīpumā. Ja riepas zaudē saķeri, izslēdziet asmeņus un lēnām taisnā virzienā brauciet lejup pa nogāzi.
- Pļaujiet drošā attālumā (vismaz 10 pēdas vai 3 metri) no nogāzēm, balsta sienām, notekgrāvjiem, uzbūrumiem, ūdens vai cita veida apdraudējumiem, lai izvairītos no riteņa nokrišanas, braucot pāri malai, vai tā atdalīšanās. Tas samazinās pēkšņas mašīnas apgāšanās risku, kas var izraisīt nopietnus savainojumus vai nāvi.
- Zāles pļaušanai nogāzēs un pie nogāzēm, atbalsta sienām, notekgrāvjiem, uzbūrumiem vai ūdens izmantojiet stumjamo pļaujmašīnu vai rokas trimmeri.
- Nepļaujiet mitru vai slapju zāli. Samazināta riepu saķere var izraisīt sasliedēšanu un stūres vadības zaudēšanu.
- Nevelciet nekādu aprīkojumu nogāzēs. Velkamā aprīkojuma svars var izraisīt riepu saķeres un vadības zudumu.
- Ja zāles plāvēja riepas zaudē saķeri, strādājot nogāzēs, izslēdziet pļaušanas bloka piedziņas sistēmu, pārslēdziet stūres vadības sviras stāvbremzes pozīcijā, pagrieziet iedarbināšanas atslēgu IZSLĒGTĀ pozīcijā, izņemiet atslēgu un dodieties pēc palīdzības.
- Nekad nesāciet strauji braukt, neapstājieties strauji un strauji nemainiet braukšanas virzienu atpakaļgaitā, it īpaši veicot manevrus slīpumā. Stūrei ir jutīga reakcija. Strauja stūres vadības sviru kustība jebkurā virzienā ar mašīnu var izraisīt nopietnus savainojumus.
- Nekad neapstājieties pēkšņi, braucot lejā pa nogāzēm. Šīs darbības rezultātā mašīnas reakcija var izraisīt nopietnus fiziskus savainojumus.
- Zāles Cramer plāvējs spēj darboties horizontālā virzienā (traversi) mērenās nogāzēs. Strādājot līdz 15 grādu slīpās nogāzēs, ņemiet vērā visus apstākļus, kuru dēļ zāles plāvēja piedziņas riepas var zaudēt saķeri, kā

rezultātā var tikt zaudēta vadība pār mašīnu. Operators nedrīkst strādāt nogāzē, kamēr viņš nav pilnībā iepazinies ar aprīkojumu.

Nestrādājiet slīpumā, kas ir lielāks par 15 grādiem.

Lai noteiktu pļaušanas slīpuma pakāpi, izlasiet sadaļu „Norādes pļaušanai slīpumā”. Ja tiek konstatētas riepu saķeres zuduma pazīmes, operatoram ir jābrauc lejā no slīpās vietas, ievērojot īpašu piesardzību. Pagaidiet, līdz apstākļi, kas izraisīja problēmu, tiek novērsti, pirms mēģināt vēlreiz pļaut nogāzē. Apvīdus apstākļi var ietekmēt riepu saķeri, kā rezultātā var tikt zaudēta vadība pār mašīnu. Daži sekojoši nosacījumi, kuri jums ir jāzina:

1. Slapja virsma
2. Ieplakas (piemēram, caurumi, rievās, izskalojumi)
3. Dubļu un gruvešu kaudzes
4. Noteikta veida augsne (piemēram, smiltis, birstoši netīrumi, grants, māls)
5. Zāles veids, blīvums un augstums
6. Ļoti sausi apstākļi
7. Riepu spiedienu

Arī zāles plāvējam piestiprinātie piederumi ietekmēs pļaušanu nogāzē. Ņemiet vērā, ka katra piederuma īpašības atšķiras.

Šie ir tikai daži piemēri situācijām, kurās jāievēro piesardzība, strādājot slīpumā. Ir vēl daudz citu gadījumu, tomēr tos visus nav iespējams uzskaitīt. Nekad neaizmirstiet ievērot īpašu piesardzību, strādājot jebkurā slīpumā.

- Uzglabājiet akumulatorus bērniem nepieejamā vietā.
- Pārsegiem un aizsargiem ir vienmēr jābūt uzstādītiem un droši nostiprinātiem. Ja tie ir bojāti, nekavējoties salabojiet vai nomainiet. Nekad nepārveidojiet vai nenovietojiet drošības ierīces.

5 ELEKTRISKĀ SISTĒMA

5.1 ELEKTRISKĀS SISTĒMAS DROŠUMS

- Pirms mašīnas regulēšanas vai remontdarbu veikšanas izņemiet atslēgu un akumulatorus un izlasiet īpašnieka rokasgrāmatu.
- Pirms sākat strādāt ar šo mašīnu, vienmēr izņemiet atslēgu un akumulatorus.
- Transportējot mašīnu, vienmēr izņemiet atslēgu un akumulatorus.
- Mašīnai jābūt tīrai, bez nopļautās zāles, lapām un citiem gružiem. NESMIDZINĒT uz mašīnas ūdeni, lai to nomazgātu. Izmantojiet tikai saspiesto gaisu. Izmantojot šo mašīnu, valkājiet piemērotus acu un dzirdes aizsarglīdzekļus.
- Akumulatora tuvumā vienmēr valkājiet aizsargbrilles un aizsargaprīkojumu. Izmantojiet izolētus instrumentus.
- Izīriet no akumulatora nodalījuma, piedziņas motora nodalījuma, pļaušanas bloka, sēdekļa utt. visus netīrumus un gružus. Neizmantojiet šķīdinātājus, cietus tīrīšanas līdzekļus vai abrazīvus līdzekļus.
- Ja atslēga atrodas IESLĒGTĀ pozīcijā, zāles plāvēja asmens var pēkšņi ieslēgties, pat ja piedziņas motors negriežas. Ieslēdzot pļaušanas bloka asmeņu IESLĒGŠANAS/IZSLĒGŠANAS slēdzi, raugiet, lai šajā vietā neatrastos neviens klātesošais.
- Visas apkopes un uzglabāšanas vietas ir pareizi jāizvēdina saskaņā ar piemērojamajiem ugunsdrošības kodeksiem un rīkojumiem, lai izvairītos no ugunsbīstamības.
- Nekad nesmēķējiet un netuviniet liesmas vai neradiet dzirksteles akumulatoru tuvumā.

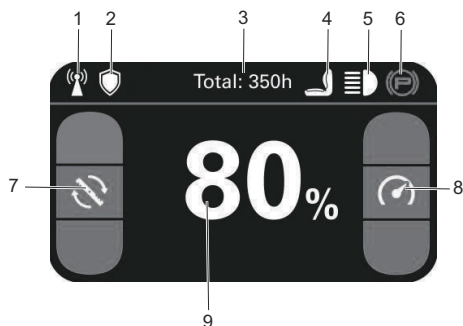
5.2 INFORMĀCIJA PAR ELEKTRISKO SISTĒMU

Zāles Cramer plāvēju darbina 82 voltu elektriskā sistēma. Tā sastāv no šādiem komponentiem:

1. Asmens kontrolieris (1)
2. Asmens motors (2)
3. Piedziņas kontrolieris (1)
4. Akselerators — pa labi (1)
5. Akselerators — pa kreisi (1)
6. Digitālais displejs (1)
7. Riteņu motors (2)
8. Akumulatoru bloks (1)

5.3 DIGITĀLAIS DISPLEJS

Digitālā displeja, kas atrodas uz vadības paneļa, funkcija ir nodrošināt operatoram informāciju par elektrisko sistēmu. Tas sniedz detalizētu informāciju modeļa, kodu un numuru veidā.



#	Nosaukums	Funkcija
1.		4G GPS signāls
2.		GreenShield

#	Nosaukums	Funkcija
3.	Kopā: 350h	Transportlīdzekļa darbības ilgums
4.		Sēdekļa slēdzis ir aizvērts.
5.		LED gaismas
6.		Stāvbremze ir ieslēgta.
7.		Asmens griešanās ātrums
8.		Braukšanas ātrums
9.	80 %	Akumulatora uzlādes līmenis procentos

6 KĻŪMES

CANBUS sistēma veiks attiecīgās darbības, lai konstatētas problēmas gadījumā aizsargātu lietotāju un mašīnu. Kad mašīna vai komponents tiek izslēgts, tas norāda, ka ir radusies kļūda, kas tiks parādīta digitālajā displejā. Visām ar elektrisko sistēmu saistītajām kļūdām ir burtu kods, kam seko cipars. Pirmais burts apraksta sistēmu, kas izraisīja kļūdu saskaņā ar šo diagrammu:

Nosaukums	Nozīme
TR	Labais piedziņas kontrolieris un motors
TL	Kreisais piedziņas kontrolieris un motors
PMU	Strāvas vadības bloks (akumulatoru daļā)
ML	Kreisā asmens motora kontrolieris
MR	Labā asmens motora kontrolieris

6.1 KĻŪDAS KODS

Kļūdas Kods	Apraksts	Risinājums
TR1	Motora pozicionēšanas kļūda	Vēlreiz ieslēdziet strāvas padevi.
TR2	Apstājies piedziņas motors	Pārbaudiet, vai piedziņas riteni nav iestrēguši, un vēlreiz ieslēdziet strāvas padevi.
TR3	Motors griežas zemā ātrumā aktivētas aizsardzības sistēmas dēļ	Vēlreiz ieslēdziet strāvas padevi.
TR4	Motors griežas lielā ātrumā aktivētas aizsardzības sistēmas dēļ	Vēlreiz ieslēdziet strāvas padevi.
TR5	Motora Hola devēja kļūda	Pārbaudiet, vai piedziņas kontroliera Hola efekta savienotājs ir pareizi pievienots, un pēc tam vēlreiz ieslēdziet strāvas padevi.
TR6	Kontroliera fāzes zudums	Pārbaudiet, vai piedziņas kontroliera motora kabeli ir pareizi pievienoti, un pēc tam vēlreiz ieslēdziet strāvas padevi.
TR7	MOSFET vaļēja kontūra kļūda	Ja rodas šī problēma, sazinieties ar izplatītāju, lai to atrisinātu.
TR8	Kontroliera zemspriegums	Pārāk zems akumulatora spriegums. Pirms lietošanas akumulatoru bloks ir jāuzlādē.
TR9	Kontroliera pārspriegums	Pārāk augsts spriegums Vēlreiz ieslēdziet strāvas padevi.
TR10	Akumulatorā zema temperatūra	Pārāk zema temperatūra akumulatora nodalījumā un akumulatorā. Izmantojiet mašīnu piemērotā temperatūrā un vēlreiz ieslēdziet strāvas padevi.
TR11	Pārāk augsta PMU temperatūra Augsta akumulatora temperatūra	Pārāk augsta temperatūra akumulatora nodalījumā un akumulatorā. Pagaidiet, līdz akumulators atdziest, un pēc tam vēlreiz ieslēdziet strāvas padevi.
TR12	Pārkarsis motors	Pārāk augsta motora temperatūra. Pagaidiet, līdz motors atdziest, un pēc tam vēlreiz ieslēdziet strāvas padevi.
TR13	Pārāk augsta kontroliera temperatūra	Kontrolieri pārāk augsta temperatūrā. Pagaidiet, līdz kontrolieris atdziest, un pēc tam vēlreiz ieslēdziet strāvas padevi.
TR14	Programmatūras pārstrāva	Pārāk liela slodze. Vēlreiz ieslēdziet strāvas padevi.
TR15	Aparatūras pārstrāva	Pārāk liela slodze. Vēlreiz ieslēdziet strāvas padevi.
TR16	Ātruma kontroliera kļūme	Pārbaudiet, vai roktura ātruma kontrolieris ir pareizi pievienots, un pēc tam vēlreiz ieslēdziet strāvas padevi.
TR17	Kontroliera priekšuzlādes kļūme	Vēlreiz ieslēdziet strāvas padevi.
TR18	Bremžu kļūme	Vēlreiz ieslēdziet strāvas padevi.
TR19	Darbības secības kļūme	Novietojiet kreiso un labo rokturi stāvbremzes pozīcijā un asmens palaišanas slēdzi IZSLĒGTĀ pozīcijā. Apsēdieties sēdekļī un mēģiniet vēlreiz.
TR20	Leņķa sensora kļūme	Vēlreiz ieslēdziet strāvas padevi.
TR21	Releja kļūme	Vēlreiz ieslēdziet strāvas padevi.
TR22	Magnētiskā vārsta kļūme	Pārbaudiet, vai piedziņas motora solenoīda vārsts ir pareizi pievienots, un pēc tam vēlreiz ieslēdziet strāvas padevi.
TR23	Akumulatoru nodalījuma (PMU) sakaru kļūme	Sakaru kļūme akumulatoru nodalījumā. Vēlreiz ieslēdziet strāvas padevi.
TR24	Akumulatoru nodalījuma (PMU) kļūme	Maza/liela kļūme akumulatora nodalījumā. Veiciet pārbaudi un vēlreiz ieslēdziet strāvas padevi.

Latviešu

Kļūdas Kods	Apraksts	Risinājums
TR25	CAN taimauta kļūme — kreisais disks	Sakaru kļūme kreisās puses piedziņas kontrolierī. Vēlreiz ieslēdziet strāvas padevi.
TR26	CAN taimauta kļūme — labais disks	Sakaru kļūme labās puses piedziņas kontrolierī. Vēlreiz ieslēdziet strāvas padevi.
TR27	CAN taimauta kļūme — kreisais asmens	Sakaru kļūme kreisās puses asmens kontrolierī. Vēlreiz ieslēdziet strāvas padevi.
TR28	CAN taimauta kļūme — vidējais asmens	Sakaru kļūme vidējā asmens kontrolierī. Vēlreiz ieslēdziet strāvas padevi.
TR29	CAN taimauta kļūme — labais asmens	Sakaru kļūme labās puses asmens kontrolierī. Vēlreiz ieslēdziet strāvas padevi.
TR30	Akumulatoru nodalījuma atlokāmā pārsega kļūme	Pārbaudiet, vai savienotājs zem sēdekļa ir pareizi pievienots, un pēc tam vēlreiz ieslēdziet strāvas padevi.
TR31	Operatora klātbūtnes slēdža verificācijas kļūme	Pārbaudiet, vai savienotājs zem sēdekļa ir pareizi pievienots, un pēc tam vēlreiz ieslēdziet strāvas padevi.
TR32	Programmatūras autentifikācijas kļūda	Vēlreiz ieslēdziet strāvas padevi.
TL1	Motora pozicionēšanas kļūda	Vēlreiz ieslēdziet strāvas padevi.
TL2	Apstāties piedziņas motors	Pārbaudiet, vai piedziņas riteni nav iestrēguši, un vēlreiz ieslēdziet strāvas padevi.
TL3	Motors griežas zemā ātrumā aktivētas aizsardzības sistēmas dēļ	Vēlreiz ieslēdziet strāvas padevi.
TL4	Motors griežas lielā ātrumā aktivētas aizsardzības sistēmas dēļ	Vēlreiz ieslēdziet strāvas padevi.
TL5	Motora Hola devēja kļūda	Pārbaudiet, vai piedziņas kontroliera Hola efekta savienotājs ir pareizi pievienots, un pēc tam vēlreiz ieslēdziet strāvas padevi.
TL6	Kontroliera fāzes zudums	Pārbaudiet, vai piedziņas kontroliera motora kabeli ir pareizi pievienoti, un pēc tam vēlreiz ieslēdziet strāvas padevi.
TL7	MOSFET vaļēja kontūra kļūda	Ja rodas šī problēma, sazinieties ar izplatītāju, lai to atrisinātu.
TL8	Kontroliera zemspriegums	Pārāk zems akumulatora spriegums. Pirms lietošanas akumulatoru bloks ir jāuzlādē.
TL9	Kontroliera pārspriegums	Pārāk augsts spriegums Vēlreiz ieslēdziet strāvas padevi.
TL10	Akumulatorā zema temperatūra	Pārāk zema temperatūra akumulatora nodalījumā un akumulatorā. Izmantojiet mašīnu piemērotā temperatūrā un vēlreiz ieslēdziet strāvas padevi.
TL11	Pārāk augsta PMU temperatūra Augsta akumulatora temperatūra	Pārāk augsta temperatūra akumulatora nodalījumā un akumulatorā. Pagaidiet, līdz akumulators atdziest, un pēc tam vēlreiz ieslēdziet strāvas padevi.
TL12	Pārkaršis motors	Pārāk augsta motora temperatūra. Pagaidiet, līdz motors atdziest, un pēc tam vēlreiz ieslēdziet strāvas padevi.
TL13	Pārāk augsta kontroliera temperatūra	Kontrolierī pārāk augsta temperatūra. Pagaidiet, līdz kontrolieris atdziest, un pēc tam vēlreiz ieslēdziet strāvas padevi.
TL14	Programmatūras pārstrāva	Pārāk liela slodze. Vēlreiz ieslēdziet strāvas padevi.
TL15	Aparatūras pārstrāva	Pārāk liela slodze. Vēlreiz ieslēdziet strāvas padevi.

Kļūdas Kods	Apraksts	Risinājums
TL16	Ātruma kontroliera kļūme	Pārbaudiet, vai roktura ātruma kontrolieris ir pareizi pievienots, un pēc tam vēlreiz ieslēdziet strāvas padevi.
TL17	Kontroliera priekšuzlādes kļūme	Vēlreiz ieslēdziet strāvas padevi.
TL18	Bremžu kļūme	Vēlreiz ieslēdziet strāvas padevi.
TL19	Darbības secības kļūme	Novietojiet kreiso un labo rokturi stāvbremzes pozīcijā un asmens palaišanas slēdzi IZSLĒGTĀ pozīcijā. Apsēdieties sēdekļī un mēģiniet vēlreiz.
TL20	Leņķa sensora kļūme	Vēlreiz ieslēdziet strāvas padevi.
TL21	Releja kļūme	Vēlreiz ieslēdziet strāvas padevi.
TL22	Magnētiskā vārsta kļūme	Pārbaudiet, vai piedziņas motora solenoīda vārsts ir pareizi pievienots, un pēc tam vēlreiz ieslēdziet strāvas padevi.
TL23	Akumulatoru nodalījuma (PMU) sakaru kļūme	Sakaru kļūme akumulatoru nodalījumā. Vēlreiz ieslēdziet strāvas padevi.
TL24	Akumulatoru nodalījuma (PMU) kļūme	Maza/liela kļūme akumulatora nodalījumā. Veiciet pārbaudi un vēlreiz ieslēdziet strāvas padevi.
TL25	CAN taimauta kļūme — kreisais disks	Sakaru kļūme kreisās puses piedziņas kontrolierī. Vēlreiz ieslēdziet strāvas padevi.
TL26	CAN taimauta kļūme — labais disks	Sakaru kļūme labās puses piedziņas kontrolierī. Vēlreiz ieslēdziet strāvas padevi.
TL27	CAN taimauta kļūme — kreisais asmens	Sakaru kļūme kreisās puses asmens kontrolierī. Vēlreiz ieslēdziet strāvas padevi.
TL28	CAN taimauta kļūme — vidējais asmens	Sakaru kļūme vidējā asmens kontrolierī. Vēlreiz ieslēdziet strāvas padevi.
TL29	CAN taimauta kļūme — labais asmens	Sakaru kļūme labās puses asmens kontrolierī. Vēlreiz ieslēdziet strāvas padevi.
TL30	Akumulatoru nodalījuma atlokāmā pārsega kļūme	Pārbaudiet, vai savienotājs zem sēdekļa ir pareizi pievienots, un pēc tam vēlreiz ieslēdziet strāvas padevi.
TL31	Sēdekļa slēdža pārbaudes kļūme	Pārbaudiet, vai savienotājs zem sēdekļa ir pareizi pievienots, un pēc tam vēlreiz ieslēdziet strāvas padevi.
TL32	Programmatūras autentifikācijas kļūda	Vēlreiz ieslēdziet strāvas padevi.
ML1	Motora pozicionēšanas kļūda	Vēlreiz ieslēdziet strāvas padevi.
ML2	Apstājies asmens motors	Pārbaudiet pļaušanas slodzi un atgrieziet asmens palaišanas slēdzi sākotnējā stāvoklī.
ML3	Motors griežas zemā ātrumā aktivētas aizsardzības sistēmas dēļ	Vēlreiz ieslēdziet strāvas padevi.
ML4	Motors griežas lielā ātrumā aktivētas aizsardzības sistēmas dēļ	Vēlreiz ieslēdziet strāvas padevi.
ML5	Motora Hola devēja kļūda	Pārbaudiet, vai asmens kontroliera Hola efekta savienotājs ir pareizi pievienots, un pēc tam vēlreiz ieslēdziet strāvas padevi.
ML6	Kontroliera fāzes zudums	Pārbaudiet, vai piedziņas kontroliera motora kabeli ir pareizi pievienoti, un pēc tam vēlreiz ieslēdziet strāvas padevi.
ML7	MOSFET vaiļa kontūra kļūda	Ja rodas šī problēma, sazinieties ar izplatītāju, lai to atrisinātu.

Kļūdas Kods	Apraksts	Risinājums
ML8	Kontroliera zemspriegums	Pārāk zems akumulatora spriegums. Pirms lietošanas akumulatoru bloks ir jāuzlādē.
ML9	Kontroliera pārspriegums	Pārāk augsts spriegums Vēlreiz ieslēdziet strāvas padevi.
ML10	Akumulatorā zema temperatūra	Pārāk zema temperatūra akumulatora nodalījumā un akumulatorā. Izmantojiet mašīnu piemērotā temperatūrā un vēlreiz ieslēdziet strāvas padevi.
ML11	Pārāk augsta PMU temperatūra Augsta akumulatora temperatūra	Pārāk augsta temperatūra akumulatora nodalījumā un akumulatorā. Pagaidiet, līdz akumulators atdziest, un pēc tam vēlreiz ieslēdziet strāvas padevi.
ML12	Pārkarsis motors	Pārāk augsta motora temperatūra. Pagaidiet, līdz motors atdziest, un pēc tam vēlreiz ieslēdziet strāvas padevi.
ML13	Pārāk augsta kontroliera temperatūra	Kontrolierī pārāk augsta temperatūra. Pagaidiet, līdz kontrolieris atdziest, un pēc tam vēlreiz ieslēdziet strāvas padevi.
ML14	Programmatūras pārstrāva	Pārāk liela slodze. Vēlreiz ieslēdziet strāvas padevi.
ML15	Aparatūras pārstrāva	Pārāk liela slodze. Vēlreiz ieslēdziet strāvas padevi.
ML16	Ātruma kontroliera kļūme	Pārbaudiet, vai roktura ātruma kontrolieris ir pareizi pievienots, un pēc tam vēlreiz ieslēdziet strāvas padevi.
ML17	Kontroliera priekšuzlādes kļūme	Vēlreiz ieslēdziet strāvas padevi.
ML18	Bremžu kļūme	Vēlreiz ieslēdziet strāvas padevi.
ML19	Darbības secības kļūme	Novietojiet kreiso un labo rokturi stāvbremzes pozīcijā un asmens palaišanas slēdzi IZSLĒGTĀ pozīcijā. Apsēdieties sēdekļī un mēģiniet vēlreiz.
ML20	Leņķa sensora kļūme	Vēlreiz ieslēdziet strāvas padevi.
ML21	Releja kļūme	Vēlreiz ieslēdziet strāvas padevi.
ML22	Magnētiskā vārsta kļūme	Pārbaudiet, vai motora solenoīda vārsts ir pareizi pievienots, un pēc tam vēlreiz ieslēdziet strāvas padevi.
ML23	Akumulatoru nodalījuma (PMU) sakaru kļūme	Sakaru kļūme akumulatoru nodalījumā. Vēlreiz ieslēdziet strāvas padevi.
ML24	Akumulatoru nodalījuma (PMU) kļūme	Maza/liela kļūme akumulatora nodalījumā. Veiciet pārbaudi un vēlreiz ieslēdziet strāvas padevi.
ML25	CAN taimauta kļūme — kreisais disks	Sakaru kļūme kreisās puses piedziņas kontrolierī. Vēlreiz ieslēdziet strāvas padevi.
ML26	CAN taimauta kļūme — labais disks	Sakaru kļūme labās puses piedziņas kontrolierī. Vēlreiz ieslēdziet strāvas padevi.
ML27	CAN taimauta kļūme — kreisais asmens	Sakaru kļūme kreisās puses asmens kontrolierī. Vēlreiz ieslēdziet strāvas padevi.
ML28	CAN taimauta kļūme — vidējais asmens	Sakaru kļūme vidējā asmens kontrolierī. Vēlreiz ieslēdziet strāvas padevi.
ML29	CAN taimauta kļūme — labais asmens	Sakaru kļūme labās puses asmens kontrolierī. Vēlreiz ieslēdziet strāvas padevi.
ML30	Akumulatoru nodalījuma atlokāmā pārsega kļūme	Pārbaudiet, vai savienotājs zem sēdekļa ir pareizi pievienots, un pēc tam vēlreiz ieslēdziet strāvas padevi.
ML31	Neizdevās pārbaudīt asmens signālu	Pārbaudiet, vai asmens palaišanas slēdzis ir pareizi pievienots, un pēc tam atgrieziet slēdzi sākotnējā stāvoklī.
ML32	Programmatūras autentifikācijas kļūda	Vēlreiz ieslēdziet strāvas padevi.

Kļūdas Kods	Apraksts	Risinājums
MR1	Motora pozicionēšanas kļūda	Vēlreiz ieslēdziet strāvas padevi.
MR2	Apstājies asmens motors	Pārbaudiet pļaušanas slodzi un atgrieziet asmens palaišanas slēdzi sākotnējā stāvoklī.
MR3	Motors griežas zemā ātrumā aktivētas aizsardzības sistēmas dēļ	Vēlreiz ieslēdziet strāvas padevi.
MR4	Motors griežas lielā ātrumā aktivētas aizsardzības sistēmas dēļ	Vēlreiz ieslēdziet strāvas padevi.
MR5	Motora Hola devēja kļūda	Pārbaudiet, vai asmens kontroliera Hola efekta savienotājs ir pareizi pievienots, un pēc tam vēlreiz ieslēdziet strāvas padevi.
MR6	Kontroliera fāzes zudums	Pārbaudiet, vai piedziņas kontroliera motora kabeli ir pareizi pievienoti, un pēc tam vēlreiz ieslēdziet strāvas padevi.
MR7	MOSFET vaļēja kontūra kļūda	Ja rodas šī problēma, sazinieties ar izplatītāju, lai to atrisinātu.
MR8	Kontroliera zemspriegums	Pārāk zems akumulatora spriegums. Pirms lietošanas akumulatoru bloks ir jāuzlādē.
MR9	Kontroliera pārspriegums	Pārāk augsts spriegums Vēlreiz ieslēdziet strāvas padevi.
MR10	Akumulatorā zema temperatūra	Pārāk zema temperatūra akumulatora nodalījumā un akumulatorā. Izmantojiet mašīnu piemērotā temperatūrā un vēlreiz ieslēdziet strāvas padevi.
MR11	Pārāk augsta PMU temperatūra Augsta akumulatora temperatūra	Pārāk augsta temperatūra akumulatora nodalījumā un akumulatorā. Pagaidiet, līdz akumulators atdziest, un pēc tam vēlreiz ieslēdziet strāvas padevi.
MR12	Pārkarsis motors	Pārāk augsta motora temperatūra. Pagaidiet, līdz motors atdziest, un pēc tam vēlreiz ieslēdziet strāvas padevi.
MR13	Pārāk augsta kontroliera temperatūra	Kontrolieri pārāk augsta temperatūra. Pagaidiet, līdz kontrolieris atdziest, un pēc tam vēlreiz ieslēdziet strāvas padevi.
MR14	Programmatūras pārstrāva	Pārāk liela slodze. Vēlreiz ieslēdziet strāvas padevi.
MR15	Aparatūras pārstrāva	Pārāk liela slodze. Vēlreiz ieslēdziet strāvas padevi.
MR16	Ātruma kontroliera kļūme	Pārbaudiet, vai roktura ātruma kontrolieris ir pareizi pievienots, un pēc tam vēlreiz ieslēdziet strāvas padevi.
MR17	Kontroliera priekšuzlādes kļūme	Vēlreiz ieslēdziet strāvas padevi.
MR18	Bremžu kļūme	Vēlreiz ieslēdziet strāvas padevi.
MR19	Darbības secības kļūme	Novietojiet kreiso un labo rokturi stāvbremzes pozīcijā un asmens palaišanas slēdzi IZSLĒGTĀ pozīcijā. Apsēdieties sēdekļī un mēģiniet vēlreiz.
MR20	Leņķa sensora kļūme	Vēlreiz ieslēdziet strāvas padevi.
MR21	Releja kļūme	Vēlreiz ieslēdziet strāvas padevi.
MR22	Magnētiskā vārsta kļūme	Pārbaudiet, vai motora solenoīda vārsts ir pareizi pievienots, un pēc tam vēlreiz ieslēdziet strāvas padevi.
MR23	Akumulatoru nodalījuma (PMU) sakaru kļūme	Sakaru kļūme akumulatoru nodalījumā. Vēlreiz ieslēdziet strāvas padevi.
MR24	Akumulatoru nodalījuma (PMU) kļūme	Maza/liela kļūme akumulatora nodalījumā. Veiciet pārbaudi un vēlreiz ieslēdziet strāvas padevi.
MR25	CAN taimauta kļūme — kreisais disks	Sakaru kļūme kreisās puses piedziņas kontrolierī. Vēlreiz ieslēdziet strāvas padevi.

Kļūdas Kods	Apraksts	Risinājums
MR26	CAN taimauta kļūme — labais disks	Sakaru kļūme labās puses piedziņas kontrolierī. Vēlreiz ieslēdziet strāvas padevi.
MR27	CAN taimauta kļūme — kreisais asmens	Sakaru kļūme kreisās puses asmens kontrolierī. Vēlreiz ieslēdziet strāvas padevi.
MR28	CAN taimauta kļūme — vidējais asmens	Sakaru kļūme vidējā asmens kontrolierī. Vēlreiz ieslēdziet strāvas padevi.
MR29	CAN taimauta kļūme — labais asmens	Sakaru kļūme labās puses asmens kontrolierī. Vēlreiz ieslēdziet strāvas padevi.
MR30	Akumulatoru nodalījuma atlokāmā pārsega kļūme	Pārbaudiet, vai savienotājs zem sēdekļa ir pareizi pievienots, un pēc tam vēlreiz ieslēdziet strāvas padevi.
MR31	Neizdevās pārbaudīt asmens signālu	Pārbaudiet, vai asmens palaišanas slēdzis ir pareizi pievienots, un pēc tam atgrieziet slēdzi sākotnējā stāvoklī.
MR32	Programmatūras autentifikācijas kļūda	Vēlreiz ieslēdziet strāvas padevi.
PMU10	PMU akumulatoru blokā vaļējs kontūrs	Akumulatoru nodalījumā atvienots akumulatoru bloks; var pasliktināties mašīnas veiktspēja.
PMU11	Neliela PMU kļūme	Nelielas kļūmes dēļ akumulatora nodalījumā nevarēja ieslēgt asmens sistēmu. Pagaidiet sistēmas atkopšanos, pēc tam atiestatiet asmens palaišanas slēdzi.
PMU12	Kritiska PMU kļūme	Lielas kļūmes dēļ akumulatora nodalījumā nevarēja ieslēgt asmens sistēmu. Vēlreiz ieslēdziet strāvas padevi un mēģiniet vēlreiz.
PMU13	PMU nav pieejams akumulatoru bloks	Pārlicinieties, vai izmantojot pareizo akumulatoru, un pēc tam vēlreiz ieslēdziet strāvas padevi.

7 APKOPE

7.1 ZĀLES PĻĀVĒJA ASMENS APKOPE

Pārbaudiet reizi dienā zāles pļāvēja asmeņus. Tie ir enerģijas efektivitātes un labi kopta zāliena pamatnosacījums. Tiem vienmēr jābūt asiem — neasi asmeņi zāli nenoplauj, bet norauj, dažu stundu laikā atstājot uz zāles brūnu virsmu. Neasam asmenim ir nepieciešama arī lielāka jauda. Nomainiet asmeni, kas ir saliekts, saplaisājis vai salūzis.

▲ BRĪDINĀJUMS

Nekad nemēģiniet iztaisnot saliektu asmeni karsējot, kā arī metināt ieleplaisājušu vai salauztu asmeni, jo asmens var salūzt un izraisīt nopietnus savainojumus. Nodiluši vai bojāti asmeņi ir jānomaina.

▲ BRĪDINĀJUMS

Nekad nestrādājiet ar asmeņiem, kamēr atslēga atrodas aizdedzes slēdzī. Pagrieziet atslēgu IZSLĒGTĀ pozīcijā, izņemiet akumulatorus no mašīnas. Nobloķējiet zāles pļāvēju, ja jums zem tā ir jāveic kādi darbi. Strādājot ar asmeņiem, valkājiet cimdus. Ja zāles pļāvējs atsitas pret kādu akmeni, zaru vai citu svešķermeņu, vienmēr pārbaudiet, vai asmens nav bojāts!

▲ BRIESMAS

Nelielus uzasināšanas darbus var veikt ar vīli. Pēc slīpēšanas pārbaudiet asmeņu balansu. Komerציāls balansēšanas rīks ir pieejams lielākajā daļā armatūras preču veikalu, vai arī balansēšanu var veikt, novietojot asmeni uz apgriezta līnijas perforatora vai 12,7 mm (1/2") bultskrūves. Asmenim nevajadzētu noliekties vai sasvārties. Lēnām griežot asmeni, tas nedrīkst šūpoties. Ja asmens nav balansēts, pirms uzstādīšanas tas ir jānoregulē. Novietojiet asmeni uz līdzenas virsmas un pārbaudiet, vai tas nav deformējies. Deformētus asmeņus ir jānomaina.

▲ BRĪDINĀJUMS

- Lai nodrošinātu pareizu pļaušanu, asmens spurai (izliektajai daļai) jābūt vērstai virzienā uz augšu uz pļaušanas bloka iekšpusi.
- Pēc asmeņu uzstādīšanas tie ir jāpagriež, lai nodrošinātu, ka to gali nepieskaras viens otram vai pļāvēja sāniem.
- Ja bultskrūve netiek pareizi pieskrūvēta, var nokrist asmens, kas var izraisīt nopietnus savainojumus.
- Pļaujmašīnas asmeņi ir asi, un ar tiem var sagriezties. Veicot apkopes vai remonta darbus, valkājiet cimdus.

7.1.1 ASMENS NOMAINĪŠANA

Skatīt attēlu 17

1. Apturiet motoru, izņemiet iedarbināšanas atslēgu un ieslēdziet stāvbremzi.
2. Lai piekļūtu asmeņiem, paceliet pļaušanas bloka augstumu visaugstākajā pozīcijā.

i PIEZĪME

Ja nepieciešams, lai piekļūtu asmeņiem, paceliet zāles pļāvēju, novietojot uz pacēlāja vai izmantojot domkratu un domkrata statīvus, vai arī noņemiet pļaušanas bloku, kā aprakstīts iepriekšējā sadaļā.

▲ BRĪDINĀJUMS

Ja paceļat zāles pļāvēju, lai piekļūtu asmeņiem, tad pirms turpināt, pārliecinieties, vai zāles pļāvējs ir pareizi nostiprināts un ir ieslēgta stāvbremze. Ja zāles pļāvējs netiek pareizi nostiprināts, tas var nokrist, izraisot lietotājam nāvi vai nopietnus miesas bojājumus.

3. Ielieciet koka gabalu starp asmeni un pļaušanas bloku, lai neļautu asmenim griezties.
4. Atskrūvējiet asmens uzgriezni, pagriežot pretēji pulksteņrādītāja kustības virzienam (skatoties no zāles pļāvēja apakšas), izmantojot 16 mm uzgriežņu atslēgu vai uzgriežņatslēgas uzgali (nav iekļauti komplektācijā).
5. Noņemiet asmens uzgriezni, starpliku, asmens izolatoru un asmeni.
6. Uzskrūvējiet asmens uzgriezni uz vārpstas un pievelciet ar pirkstiem.
7. Pievelciet asmens uzgriezni pulksteņrādītāja kustības virzienā, izmantojot griezes momenta atslēgu (nav iekļauta komplektācijā), lai nodrošinātu, ka skrūve tiek pareizi pievilkota. Ieteicamais asmens uzgriežņa griezes moments ir 90 N.m ~ 100 N.m (66 ~ 74 ft.lbs).

▲ BRĪDINĀJUMS

Pārliecinieties, vai asmens ir pareizi novietots un asmens uzgrieznis ir pievilkts atbilstoši iepriekš norādītajam griezes momentam. Ja asmens netiek pareizi piestiprināts, tas var atskrūvēties, nokrist un izraisīt nopietnus miesas bojājumus.

8. Ja nepieciešams, atkārtojiet to pašu ar otro asmeni.

i PIEZĪME

Visas daļas ir jāuzliek atpakaļ tieši tādā secībā, kādā tās tika noņemtas.

7.2 RIEPAS

Lai nopļautuzāli vienā līmenī, svarīgs nosacījums ir pareizs spiediens visās riepās. Ieteicamais spiediens:

i PIEZĪME

Spiediens riepās jāmēra vai jāregulē tikai tad, kad riepas ir aukstas.

Piedziņas riteņi	8 psi
Priekšējie riteņi	37 psi

i PIEZĪME

Pārbaudiet riepas katru dienu. Nekavējoties nomainiet, ja tās ir bojātas.

▲ BRĪDINĀJUMS

Riepu piepumpēšanas laikā uzmanīgi novērojiet riepu spiedienu. Ja riepā būs pārāk daudz gaisa, tā var pārsprāgt, izraisot nopietnus miesas bojājumus.

7.3 EĻĻOŠANA

Skatīt attēlu 19

Pirms plaušanas pievienojiet eļļu.

Eļļas tips	SAE85W-140
Eļļas tilpums	180 ml

Sazinieties ar savu Cramer izplatītāju, lai nomainītu eļļu.

i PIEZĪME

Nomainiet pārnesumkārbas eļļu pēc pirmajām 50 mašīnas ekspluatēšanas stundām, pēc tam nomainiet eļļu ik pēc 200 stundām.

7.4 GRIEZES MOMENTA VĒRTĪBAS

▲ BRĪDINĀJUMS

Īpaša uzmanība jāpievērš piedziņas riteņu uzgriežņu un asmeņu darbvārpstas bultskrūvju pievilkšanai. Ja tās netiek pareizi pieskrūvētas, var nokrist asmens, kas var izraisīt nopietnus bojājumus vai traumas.

Zemāk norādītas griezes momenta vērtības:

Daļa	Pēdas-mārciņas	Nm
Riteņu uzgriežņi	89	120
Asmens darbvārpstas bultskrūve	66	90

Tikai uzgriežņi —sākumā ieteicams pārbaudīt pēc pirmajām 2 darba stundām, pēc tam ik pēc 100 stundām pēc noņemšanas remonta vai nomaiņas nolūkā.

7.5 AKUMULATORU BLOKA APKOPE

Jūsu Cramer zāles plāvējs tiek darbināts ar akumulatoru, kas pareizas apkopes gadījumā nodrošinās kalpošanas laiku vēl ilgus gadus. Lai nodrošinātu pareizu kopšanu, ievērojiet šādus norādījumus:

- Vienmēr pēc katras lietošanas reizes uzlādējiet akumulatorus.
- Ja akumulators ir pilnībā izlādējies un izslēdzies, vislabāk ir uzlādēt akumulatoru pēc iespējas ātrāk. Pārmērīga akumulatora izlāde var saīsināt akumulatora darbības laiku, un akumulators var tikt neatgriezeniski bojāts. To nav nepieciešams pilnībā uzlādēt; tas darbosies pat tad, ja uzlādēsiet akumulatoru tikai 5-10 minūtes. Tomēr vislabāk to ir uzlādēt 24 stundas.
- Neļaujiet zālei, netīrumiem un gružiem uzkrāties akumulatora spaiļu tuvumā un akumulatora zonā.
- Uzlādējiet akumulatorus iekštelpās, labi vēdināmā un sausā vietā, kur nav dzirksteļu vai liesmu. Nekad nepakļaujiet lādētāju lietus, tvaiku vai šķidrums iedarbībai.
- Uzlādējiet tikai litiņa akumulatorus, ko nodrošina Cramer.
- Nepieskarieties lādētāja neizolētajai daļai (termināla tapām) vai izvades savienotājam.
- Nelietot mašīnu ar bojātu vadu vai spraudni. Bojātais vads vai spraudnis ir nekavējoties jānomaina.
- Ja uzglabāsi ilgstoši, uzglabāšanas temperatūrai ir jābūt no -20 °C līdz 45 °C vienu mēnesi un 0 °C - 35 °C no diviem līdz divpadsmit mēnešiem.
- Akumulatora darbības vide ir -20 °C -55 °C izlādes gadījumā un 0 °C ~ 55 °C uzlādes gadījumā.

7.6 AKUMULATORA NODALĪJUMA FILTRA APKOPE

Nomainiet akumulatora nodalījuma filtru ik pēc 200 stundām.

7.7 APKOPE

i SVARĪGI

Pirms regulēšanas, tīrīšanas vai remonta darbu veikšanas pagaidiet, kamēr mašīna ir pilnībā apstājusies. Remontdarbus vai apkopi, kuras veikšanai nepieciešama strāva, drīkst veikt tikai apmācīts apkopes personāls. Izlasiet un ievērojiet drošības brīdinājumus rokasgrāmatas priekšējā lapā.

i SVARĪGI

Remontdarbus vai apkopi, kuras veikšanai nepieciešama strāva, drīkst veikt tikai apmācīts apkopes personāls.

- Novietojiet plāvēju uz līdzenas zemes. Pārliecinieties, vai stūres vadības sviras ir neitrālā stāvoklī un jūgvārpstas slēdzis ir IZSLĒGTĀ pozīcijā. Paceliet plaušanas bloku, pagrieziet atslēgu IZSLĒGTĀ pozīcijā, izņemiet atslēgu no slēdža un izņemiet akumulatorus no akumulatora nodalījuma zem sēdekļa.
- Jebkurus apkopes darbus, kuros nepieciešams noņemt drošības pārsegus, ir jāveic apmācītam servisa tehnikim.
- Izmantojiet stieni vai tamlīdzīgu instrumentu, lai notīrītu apakšējo daļu zem plāvēja, un nelieciet zem plāvēja nevienu ķermeņa daļu, no īpaši rokas un plaukstas.
- Uzturiet mašīnu tīru un iztīriet no tās visus atkritumus un zāles atgriezumus.
- Uzturiet akumulatora nodalījumu, plaušanas bloku un operatora vietu tīru, nepieļaujiet, ka tajā uzkrājas atkritumi, nopļautā zāle un citi gruži.
- Iztīriet no akumulatora nodalījuma, piedziņas motora nodalījuma, plaušanas bloka, sēdekļa utt. visus neīrumus un gružus. Tīrīšanai izmantojiet tikai saspiesto gaisu. NEIZMANTOJIET šķīdinātājus, cietus tīrīšanas līdzekļus vai abrazīvus līdzekļus.
- Veicot akumulatoriem apkopi vai slīpējot plāvēja asmeņus un iztīrot uzkrātos gružus, vienmēr valkājiet atbilstošus acu aizsarglīdzekļus. Nekad nemēģiniet veikt regulēšanas vai remonta darbus plāvēja piedziņas sistēmai, plaujumašīnai vai jebkurai papildierīcei, kamēr darbojas vilces piedziņas sistēma. Remontdarbus vai apkopi, kuras veikšanai nepieciešama strāva, drīkst veikt tikai apmācīts apkopes personāls.
- Nekad nestrādājiet zem mašīnas vai papildierīces, ja vien tās nav droši atbalstītas ar domkrata statīviem. Pārliecinieties, vai mašīna pēc pacelšanas ir droši nostiprināta un novietota uz domkrata statīviem.
- Domkrata statīvi nedrīkst ļaut mašīnai izkustēties, darbojoties vilces piedziņas sistēmai un griežoties piedziņas riteņiem. Izmantojiet tikai sertificētu domkrata statīvus. Mašīnas nobloķēšanai izmantojiet tikai atbilstošu domkrata statīvus, kuru minimālais svars ir 2000 mārciņas (907,2 kg). Lietojiet tikai pa pāriem. Izpildiet norādījumus, kas pievienoti transportlīdzekļa statīviem.
- Nepieskarieties karstām mašīnas daļām.
- Uzgriežņiem un bultskrūvēm, jo īpaši asmens stiprinājuma bultskrūvēm, ir jābūt stingri pievilktām. Uzturiet aprīkojumu labā darba stāvoklī.
- Nekad nemēģiniet pārveidot drošības ierīces. Regulāri pārbaudiet, vai tās atbilstoši darbojas.
- Pirms izlādes teknes iztīrīšanas pagrieziet atslēgu IZSLĒGTĀ pozīcijā.
- Nekad netīriet izlādes tekni ieslēgtas mašīnas laikā. Pirms tīrīšanas darbu veikšanas pagrieziet atslēgu IZSLĒGTĀ pozīcijā un pārliecinieties, vai asmeņi ir apstājušies. Izmantojiet stieni, lai notīrītu aizsērējušos izlādes zonu. Nekad netīriet ar rokām!
- Apturiet mašīnu un ļaujiet asmeņiem apstāties pirms teknes iztīrīšanas. Zāles savākšanas sistēmas komponenti ir pakļauti nodilumam, bojājumiem un nolietojumam, kas var atklāt kustīgās daļas vai atsviest priekšmetus. Bieži pārbaudiet komponentus un, ja nepieciešams, nomainiet tos ar ražotāja ieteiktajām daļām.
- Strādājot zem plaušanas bloka, esiet piesardzīgs, jo plāvēja asmeņi ir ļoti asi. Veicot apkopes vai remonta darbus, valkājiet cimdus.
- Izmantojiet tikai oriģinālās Cramer plāvēja daļas, lai nodrošinātu oriģinālo standartu ievērošanu.
- Transportējot mašīnu, vienmēr izņemiet akumulatorus. Mašīnai jābūt tīrai, bez nopļautās zāles, lapām un citiem gružiem.
- Bieži pārbaudiet bremžu darbību. Ja nepieciešams, noregulējiet un veiciet apkopi.
- Saglabājiet vai, ja nepieciešams, nomainiet drošības un instrukciju etiķetes.
- Braucamā plāvēja remontdarbus drīkst veikt tikai kvalificēts speciālists, izmantojot tikai oriģinālās rezerves daļas. Tādējādi tiks garantēts plaušanas traktora lietošanas drošums.
- Uzlādējiet ierīci tikai ar ražotāja noteikto lādētāju. Lādētājs, kas paredzēts lietošanai tikai ar viena veida akumulatora bloku, var radīt aizdegšanās draudus, ja to izmanto kopā ar citu akumulatora bloku.

8 TRANSPORTĒŠANA UN UZGLABĀŠANA

8.1 TRANSPORTĒŠANA

▲ BRĪDINĀJUMS

Esiet īpaši piesardzīgs, iekraujot vai izkraujot mašīnu no piekabes. Nospiediet zemā ātruma braukšanas pogu un uzmanīgi pārslēdziet piedziņas sviras, lai regulētu ātrumu. Iekraušanas laikā vienmēr brauciet piekabē atpakaļgaitā. Iekraujot vai izkraujot plāvēju, nepārsniedziet maksimālo ieteicamo 15° darbības leņķi. Šo norādījumu neievērošanas rezultātā varat zaudēt vadību pār mašīnu un gūt smagus miesas bojājumus vai kaitējumu īpašumam, un var iestāties nāve.

▲ BRĪDINĀJUMS

Rīkojieties īpaši piesardzīgi, iekraujot vai izkraujot mašīnu no piekabes. Pārliecinieties, vai plaušanas bloks ir pacelts augstākajā pozīcijā, lai tas neaizķertos uz rampas. Plāvēja riteņi var nobraukt no rampas vai piekabes, un plāvējs var sākt griezties vai apgāzties, kā arī izraisīt saspiešanas draudus, kas var izraisīt nāvi vai nopietnus miesas bojājumus.

1. Novietojiet plāvēju uz līdzenas zemes virsmas.
2. Paceliet plaušanas bloku visaugstākajā pozīcijā.
3. Novietojiet un nostipriniet rampu uz piekabi saskaņā ar ražotāja norādījumiem.

i PIEZĪME

Iesakām izmantot vienu pilna platuma iekraušanas rampu, kas ir vismaz 1 pēdu plata par plāvēju, lai samazinātu iespējamību, ka plāvēja riteņi varētu nobraukt no rampas sāniem.

4. Lēnām uzbrauciet ar plāvēju atpakaļgaitā uz rampas un iekāpiet piekabē.
5. Nolaidiet plāvēja bloku līdz galam.
6. Ieslēdziet stāvbremzi.
7. Izslēdziet plāvēju un izņemiet atslēgu.
8. Lai novērstu pārvietošanos transportēšanas laikā, nostipriniet plāvēju pēc vajadzības izmantojot siksnas vai kabelus.

▲ BRĪDINĀJUMS

Lai izvairītos no nejaušas plāvēja iedarbināšanas vai izkustēšanās transportēšanas laikā, kas var izraisīt nopietnus miesas bojājumus, vienmēr izņemiet iedarbināšanas atslēgu un ieslēdziet stāvbremzi.

8.2 TĪRĪŠANA UN UZGLABĀŠANA

8.2.1 MAŠĪNAS TĪRĪŠANA

- Iztīriet visus zāles un lapu atlikumus, kas uzkrājušies ap/uz motora pārsega (motora skalošanai neizmantojiet ūdeni no augstspiediena pistoles).
- Ik pa laikam noslaukiet plāvēju ar sausu lupatiņu.
- Ja lietošanas laikā plāvēja apakšpusē uzkrājas gruži, apturiet motoru, izslēdziet mašīnu un notīriet to, izmantojot atbilstošu instrumentu.

8.2.2 PĻAUŠANAS BLOKA TĪRĪŠANA

Skatīt attēlu 18

- Ieslēdziet stāvbremzi stāvbremzes pozīcijā.
- Noregulējiet zāles plāvēja pļaušanas bloka augstumu zemākajā pozīcijā.
- Pievienojiet dārza šļūtenei komplektācijā iekļauto mazgāšanas pieslēgvietas ātri savienojamo uznavu.
- Savienojiet dārza šļūteni ar plāvēja bloka mazgāšanas pieslēgvietas ātri savienojamo uznavu. Mazgāšanas pieslēgvietā atrodas pļaušanas bloka kreisajā pusē.
- Atgrieziet ūdens krānu.

- Pavelciet jūgvārpstas slēdzi, lai iedarbinātu plāvēja griezējasmaņus, un noregulējiet asmeņu ātrumu augstākajā iestatījumā.
- Noskalojiet ar ūdeni daļu zem plaušanas bloka apmēram vienu minūti.
- Izslēdziet plāvēja asmeņus, nospiežot jūgvārpstas slēdzi.
- Izslēdziet ūdeni un noņemiet dārza šļūteni un mazgāšanas pieslēgvietas ātri savienojamo uznavu.
- Noņemiet ātri savienojamo uznavu no dārza šļūtenes un novietojiet uzglabāšanā turpmākai lietošanai.
- Izslēdziet zāles plāvēju pilnībā.

8.2.3 MAŠĪNAS UZGLABĀŠANA

Lai sagatavotu zāles plāvēju uzglabāšanai, rīkojieties šādi:

- Izīriet mašīnu atbilstoši iepriekšējā nodaļā sniegtajam aprakstam.
- Pārbaudiet asmeni un, ja nepieciešams, nomainiet vai uzasiniet (skatīt nodaļu "Apkope").
- Neuzglabājiet mašīnu blakus kodīgām vielām, piemēram, mēslojumam vai akmeņsālim.
- Uzglabājiet mašīnu bērniem nepieejamā vietā.
- Neapklājiet mašīnu ar cietu plastmasas pārklāju. Plastmasas pārklājs aizturēs mitrumu uz mašīnas, kas izraisīs rūšēšanu un koroziju.
- Uzmanīgi pārbaudiet, vai nav nodilušas vai bojātas daļas, kuras ir jānomaina, un pasūtiet tās pie izplatītāja.
- Sazinieties ar servisa centru, lai rūpīgi ieeļļotu mašīnu.
- Pilnībā uzlādējiet akumulatorus un veiciet tiem apkopi.
- Neļaujiet gaisam izplūst no riepām.
- Mašīna jāuzglabā labi vēdināmā, tīrā un sausā vietā, jo akumulatora lādētāju nevar izmantot mitrā vidē.
 - Akumulatoriem ir vienmēr jābūt pilnībā uzlādētiem. Īpaši svarīgi ir novērst akumulatora bojājumus temperatūrā, kas ir zemāka par 0 °C (32 °F).
 - Savienojiet lādētāja adapteri ar uzlādes portu un akumulatoriem, kā tas aprakstīts nodaļas „Elektriskās sistēmas” sadaļā „Uzlādes adapteris”.
 - Iespraudiet lādētāja strāvas vadu atbilstošā strāvas kontaktligzdā. Plašāku informāciju par lādētāja lietošanu un akumulatoru uzlādēšanu skatīt nodaļas “Elektriskā sistēma” sadaļu “Akumulatora lādētājs”, “Akumulatora uzlādēšana” un “Uzlādes ieteikumi”.
 - Lai palielinātu akumulatora darbības ilgumu, uzlādējiet akumulatorus pilnībā neilgi pēc katras lietošanas reizes.

8.2.4 SAGATAVOŠANA LIETOŠANAI PĒC UZGLABĀŠANAS

Pirms plāvēja lietošanas pēc tā uzglabāšanas ir jāveic šādas darbības:

- Uzlādējiet akumulatorus pilnībā.
- Pārbaudiet riepu spiedienu un pēc vajadzības piepumpējiet riepas.
- Pabrauciet ar plāvēju un pārbaudiet, vai pareizi darbojas visas sistēmas un komponenti.

9 PROBLĒMU NOVĒRŠANA

PROBLĒMA	IESPĒJAMĀS CĒLONIS	RISINĀJUMS
Zāles plāvējs nebrauc.	Akumulatoru nodalījumā nav ievietots akumulatoru bloks vai Cramer nav ievietots atbilstošais akumulatoru bloks.	Lai transportlīdzeklis darbotos normāli, akumulatoru nodalījumā ir jāievieto vismaz 1 Cramer atbilstošais akumulatoru bloks.
	Nav uzlādēts akumulatoru bloks.	Pārbaudiet akumulatoru bloka jaudu.
	Stūres vadības sviras atrodas stāvbremzes pozīcijā.	Pārliecinieties, vai kreisā un labā vadības svira nav stāvbremzes pozīcijā.
	Operators nav apsēdies sēdekļī vai operatora klātbūtnes slēdzis nav aizvērts.	Operatoram ir jāatrodas uz sēdekļa.
	Kreisais un labais stāvbremzes slēdzis neatrodas sākotnējā stāvoklī pie ieslēgtas jaudas.	Novietojiet stūres vadības sviras stāvbremzes pozīcijā un vēlreiz iedarbiniet mašīnu; ja to joprojām nevar iedarbināt, lūdzu, sazinieties ar attiecīgo Cramer pēcpārdošanas apkalpošanas centru.
	Akumulatoru nodalījums atrodas neaktivizētā stāvoklī.	Pagrieziet atslēgas slēdzi IZSLĒGTĀ pozīcijā un, pirms vēlreiz iedarbināt mašīnu, pagaidiet vairāk nekā 5 sekundes.
Pēkšņa apstāšanās braukšanas laikā	Nav uzlādēts akumulators.	Lai viss transportlīdzeklis darbotos normāli, akumulatoru nodalījumā ir jāievieto vismaz 1 Cramer atbilstošais akumulatoru bloks un jāpārbauda, vai akumulatoru blokam pienāk jauda.
	Plāvējs brauca pa nelīdzeniem un bedrainiem ceļiem, kā rezultātā atvienojās operatora klātbūtnes slēdzis.	Novietojiet stūres vadības sviras stāvbremzes pozīcijā un vēlreiz iedarbiniet mašīnu.
	Bojāts kreisais/labais akselerators.	Sazinieties ar Cramer pēcpārdošanas apkalpošanas personālu.
	Bojāts piedziņas kontrolieris.	Sazinieties ar Cramer pēcpārdošanas apkalpošanas personālu.
Asmens nedarbojas, pavelkot jūgvārpstas slēdzi.	Akumulatoru nodalījumā nav ievietots akumulatoru bloks, ko norādījis Cramer.	Lai viss transportlīdzeklis darbotos normāli, akumulatoru nodalījumā ir jāievieto vismaz 1 Cramer atbilstošais akumulatoru bloks un jāpārbauda, vai akumulatoru blokam pienāk jauda.
	Akumulatora jauda ir mazāka par 5 %.	Pārbaudiet akumulatora jaudu un, ja akumulatora jauda ir zema, uzlādējiet akumulatoru.
	Operatora klātbūtnes slēdzis nav aizvērts.	Vadītājam ir jāatrodas uz sēdekļa.
	Asmeņu slēdzis (jūgvārpsta) pirms strāvas ieslēgšanas nebija sākuma stāvoklī.	Nospiediet jūgvārpstu un pavelciet to vēlreiz uz augšu.
	Aktivizēta asmeņu motora bloķēšana vai cita funkcionāla aizsardzība.	Pārbaudiet, vai pie savienojuma starp asmeni un motoru nav nezāļu un citu svešķermeņu, kas traucē asmenim rotēt vienmērīgi. Pirms plaušanas bloka noregulēšanas nepieciešamajā pārnesumā ieteicams pacelt bloku un iedarbināt asmeni.
	Nedarbojas piedziņas kontrolieris.	Pārbaudiet displejā redzamo kļūdas kodu.

PROBLĒMA	IESPĒJAMĀS CĒLONIS	RISINĀJUMS
Asmens apstājas zāles pļaušanas laikā.	Nedarbojas asmens kontrolieris.	Pārbaudiet displejā redzamo kļūdas kodu.
	Pārslogots asmens motors.	Iztīriet pļaušanas bloka iekšpusi, pārliecinieties, vai asmeņi griežas kā parasti, nospiediet jūgvārpstu, vēlreiz iedarbiniet mašīnu un samaziniet asmens slodzi, paceļot griezējasmens augstumu vai samazinot braukšanas ātrumu.
	Pārāk augsta akumulatoru bloka temperatūra.	Neizmantojiet akumulatoru bloku uzreiz pēc uzlādes, pretējā gadījumā tas var aktivizēt akumulatora temperatūras aizsardzības kļūdu.
	Akumulatora jauda ir mazāka par 5 %.	Akumulatora jauda ir zema, uzlādējiet akumulatoru.
	Pret asmeni atsitās svešķermenis, izraisot pēkšņu apstāšanos.	Pagrieziet iedarbināšanas atslēgu IZSLĒGTĀ pozīcijā un, pirms vēlreiz iedarbināt mašīnu, pagaidiet vairāk nekā 5 sekundes.
	Nedarbojas piedziņas kontrolieris.	Pārbaudiet displejā redzamo kļūdas kodu.
Zāles pļāvējs pļauj nevienmērīgi, un augstuma starpība ir ļoti liela.	Asmens kļuvis neass.	Nopulējiet asmeni saskaņā ar rokasgrāmatā esošajām norādēm.
	Asmens ir saliekts.	Nomainiet saliekto asmeni saskaņā ar instrukcijām un valkājiet aizsargapriekojumu.
	Pļaušanas bloks nav līdzens.	Izlīdziniet pļaušanas bloku saskaņā ar instrukcijām, lai kreisais un labais augstums būtu vienāds.
Faktiskais pļaušanas augstums neatbilst izvēlētajam, atzīmētajam pļaušanas augstumam.	Atskrūvējiet pļaušanas bloka stiprinājuma bultskrūves.	Noregulējiet pļaušanas bloka stiprinājuma bultskrūves, lai pārliecinātos, ka tas ir stingri uzstādīts. Piezīme! Pēc stiprinājuma bultskrūvju noregulēšanas pļaušanas bloks ir vēlreiz jāizlīdzina.
	Pļaušanas bloks ir stipri nolietojies vai bojāts.	Nomainiet pļaušanas bloku pret jaunu.
Netipiska zāles sasmailcināšana	Pārāk slapjš zāliens.	Pirms pļaušanas pārbaudiet zāles stāvokli. Ja zāle ir pārāk mitra, pirms pļaušanas pagaidiet, kamēr vējš izpūš vai uzspīd saule, vai pazūd zāliena rasa.
	Pļāvējs ir iestatīts tā, lai tas ar vienu piegājieni nopļautu daudz zāles.	Ja zāle ir pārāk blīva un gara, paceliet pļaušanas bloku un, cik vien iespējams, izvairieties no smagas zāles pļaušanas.
Zāles pļāvējs stipri vibrē	Atskrūvējušies asmeņi.	Nopulējiet asmeni saskaņā ar rokasgrāmatā norādīto metodi.
	Asmeņi ir saliekti.	Nomainiet saliekto asmeni, pievēršot uzmanību pareizai asmens nomainīšanai saskaņā ar instrukcijām un valkājiet aizsargcimdus.
	Nelīdzens pļaušanas bloks.	Izlīdziniet pļaušanas bloku saskaņā ar instrukcijām, lai kreisais un labais augstums būtu vienāds.
	Atskrūvējies pļaušanas bloks.	Pieskrūvējiet pļaušanas bloka stiprinājuma bultskrūves.
	Pļāvējs ir iestatīts tā, lai tas ar vienu piegājieni nopļautu daudz zāles.	Ja zāle ir pārāk blīva un gara, paceliet pļaušanas bloku un, cik vien iespējams, izvairieties no smagas zāles pļaušanas.
Pēc pļaušanas uz zemes paliek lapas vai grūži.	Pļāvējs ir iestatīts tā, lai tas ar vienu piegājieni nopļautu daudz zāles.	Ja zāle ir pārāk blīva un garāka par 15 cm, paceliet pļaušanas bloku un veiciet divus pļaušanas ciklus, lai panāktu pļaušanas efektu, mēģiniet nepļaut smagu zāli.

Latviešu

PROBLĒMA	IESPĒJAMĀIS CĒLONIS	RISINĀJUMS
	Pārāk slapja zāle.	Pirms pļaušanas pārbaudiet zāles stāvokli; ja zāle ir pārāk mitra, pirms pļaušanas pagaidiet, kamēr vējš izpūš vai uzspīd saule, vai pazūd zāliena rasa.
	Pārāk liels braukšanas ātrums.	Samaziniet braukšanas ātrumu.
	Pārāk zems asmens griešanas ātrums.	Palieliniet asmens griešanas ātruma līmeni.
Īss pļaušanas laiks	Smagas zāles pļaušana var saīsināt pļaušanas laiku.	Paceļot pļaušanas bloku augstāk vai samazinot asmens griešanas ātrumu, ar vienu uzlādi var palielināt pļāvēja lietošanas ilgumu.
Zāles pļāvēja aizripošana	Atšķirīgs riepu spiediens	Regulāri pārbaudiet spiedienu pļāvēja aizmugurējās riepās saskaņā ar rokasgrāmatā esošajām norādēm.
Pēc mazgāšanas pļāvēju nevar iedarbināt.	Nepareizi veikta tīrīšana, piemēram, LED ekrānā, akumulatora nodalījumā un citās elektronisko komponentu daļās iekļuvis ūdens.	<ol style="list-style-type: none"> Lūdzu, ievērojiet instrukciju par pareizu mašīnas tīrīšanu. Ja pļāvējs ir nejauši izmircis, novietojiet un atstājiet to sausā vietā uz 12 stundām vai izpūstiet sausu pirms lietošanas. Sazinieties ar Cramer pēc pārdošanas apkalpošanas personālu.
Aizsērējis zāles pļāvējs.	Pļaušanas blokā sakrājušās nezāles un atkritumi.	Lūdzu, ievērojiet norādījumus par mašīnas tīrīšanu katru reizi pēc tās lietošanas.
Stāvbremzes pozīcijā mašīna sāk strauji slīdēt pa nogāzi.	Spēcīgs riepu nodilums.	Sazinieties ar pēc pārdošanas apkalpošanas centru, lai nomainītu riepas.
	Elektromagnētiskā bremze ir bojāta vai stipri nolietojusies.	Sazinieties ar pēc pārdošanas apkalpošanas centru, lai nomainītu bremzi.
	Elektromagnētiskās bremzes var atlaist manuāli.	Pārbaudiet elektromagnētisko bremzi un atiestatiet to sākotnējā stāvoklī.

10 TEHNISKIE DATI

Modeļa Nr.	82ZT107
Spriegums	82 V
Transportlīdzekļa pilna masa	106±3 kg
Garums	170 cm
Augstums	117 cm
Platums (ar izlādi)	135 cm
Platums (bez izlādes)	107 cm
Pļaušanas bloka platums	107 cm
Ātrums, braucot uz priekšu	0-7.5 mph
Ātrums, braucot atpakaļgaitā	0-3 mph
Pļaušanas augstuma diapazons	3.81-11.4 cm
Pļaušanas augstuma regulēšanas svira	7 gab.
Ātrums bez noslodzes	2400/3000/3200 RPM
Uzlādes ilgums	4 h (ar 8 lādētāju)
Motora jauda	1.2 kW (asmeņu motors)
	1.2 (piedziņas motors)
MAKS. vadāmība slīpumā	15°
Asmeņu skaits (izlāde/mulča)	2 gb.
Izmērītais skaņas spiediena līmenis	$L_{pA} = 85.63 \text{ dB(A)}$, $K_{pA} = 3 \text{ dB(A)}$
Izmērītais skaņas intensitātes līmenis	$L_{WA} = 98.61 \text{ dB(A)}$
Garantētais skaņas intensitātes līmenis	$L_{WA,d} = 100 \text{ dB(A)}$
Vibrācija	Balsteni: $\leq 2.5 \text{ m/s}^2$, $K = 1.5 \text{ m/s}^2$
	Korpuss: $\leq 2.5 \text{ m/s}^2$, $K = 1.5 \text{ m/s}^2$

11 IEROBEŽOTĀ GARANTIJA

11.1 GADĪJUMI, UZ KURIEM ATTIECAS GARANTIJA

Cramer šādu garantiju sniedz tikai sākotnējam pircējam ("Īpašniekam") — garantija nav nododama tālāk:

A. Izmantošana dzīvojamās zonas vidē: Cramer produktam, kas tiek izmantots parastajām vajadzībām dzīvojamās zonas vidē*, tiek nodrošināta piecu (5) gadu vai 1500 stundu lietošanas garantija (atkarībā no tā, kurš nosacījums iestājas agrāk) sākot no iegādes datuma pret visiem šasijas, pļaušanas bloka un akumulatora materiālu vai ražošanas defektiem. Palīgmateriāliem, piemēram, riepām un asmeņiem, tiek nodrošināta trīsdesmit (30) dienu garantija no iegādes datuma. Ja īpašnieks šajā garantijas periodā atklāj materiālu vai ražošanas defektu:

- Īpašniekam nekavējoties par to ir jāpaziņo Cramer vai pilnvarotajam izplatītājam rakstiskā veidā vai pa e-pastu, piezvanot pa tālruni, izmantojot lietotni vai ierodoties klātienē. Šādu paziņojumu nekādā gadījumā nedrīkst pieņemt Cramervai pilnvarots izplatītājs vēlāk par pieciem (5) gadiem no iegādes datuma.
- Saprātīgā laikā pēc šāda paziņojuma un garantijas defekta pārbaudes; Cramer pēc saviem ieskatiem tiks novērsti visi izstrādājuma materiāla vai ražošanas defekti, Cramer veicot remontu vai nomainot daļu(-as) ar jaunām vai lietotām rezerves daļām.
- Šāda remonta izmaksas, ieskaitot detaļas un darbu, sedz Cramer tikai sākotnējais īpašnieks.

B. Izmantošana komerciāliem mērķiem: Cramer produktam, kas tiek izmantots komerciālai un iestāžu lietošanai, tiek nodrošināta piecu (5) gadu vai 1500 stundu lietošanas garantija (atkarībā no tā, kurš nosacījums iestājas agrāk) sākot no iegādes datuma pret visiem šasijas, pļaušanas bloka un akumulatora materiālu vai ražošanas defektiem. Palīgmatēriāliem (tostarp, bet ne tikai riepām un asmeņiem) tiek nodrošināta trīsdesmit (30) dienu garantija no iegādes datuma. Ja īpašnieks šajā garantijas periodā atklāj materiālu vai ražošanas defektu:

- Īpašniekam nekavējoties par to ir jāpaziņo Cramer vai pilnvarotajam izplatītājam rakstiskā veidā vai pa e-pastu, piezvanot pa tālruni, izmantojot lietotni vai ierodoties klātienē. Šādu paziņojumu nekādā gadījumā nedrīkst pieņemt Cramervai pilnvarots izplatītājs vēlāk par pieciem (5) gadiem no iegādes datuma.
- Saprātīgā laikā pēc šāda paziņojuma un garantijas defekta pārbaudes Cramer pēc saviem ieskatiem tiks novērsti visi izstrādājuma materiāla vai ražošanas defekti, Cramer veicot remontu vai nomainot daļu(-as) ar jaunām vai lietotām rezerves daļām.
- Šāda remonta izmaksas, ieskaitot detaļas un darbu, sedz Cramer tikai sākotnējais (komerciālais) īpašnieks.

i PIEZĪME

Ja akumulatoriem neveiksiet pareizu apkopi un neuzglabāsiēt tos pilnībā uzlādētā stāvoklī, samazināsiēt akumulatora darbības laiku un tiks anulēta akumulatora garantija. Šīs ierobežotās garantijas noteikumi neattiecas uz kļūmēm, kuru cēlonis ir:

- Ļaunprātīga izmantošana vai nolaidība, piemēram: ūdens radīti bojājumi, atskrūvējušies vadi vai sarūsējuši metālizstrādājumi.
- Nepareizi veikta apkope; bojājumi, kas radušies nepareizas akumulatora ievietošanas dēļ; nolaidība, lūzumi, ekstrēmu temperatūras apstākļu radīti bojājumi, tostarp, bet ne tikai, sasalšanas temperatūra, pārāk augsta temperatūra, siltuma avotu, tostarp sildītāju vai uguns radīti bojājumi, ūdens vai citu vielu iedarbība, vraks, akumulatora izmantošana pārmērīgas uzlādes stāvoklī vai neuzlādētā stāvoklī.
- Akumulators, ko uzlādē citas sistēmas, kas nav oriģinālā aprīkojuma tipa akumulatoru lādētājs.

Zemsvītras piezīme: * "Parastajām vajadzībām dzīvojamās zonas vidē" šajā kontekstā nozīmē produkta izmantošanu tajā pašā teritorijā, kurā atrodas jūsu mājoklis. Lietošana vairāk nekā vienā vietā tiek uzskatīta par komerciālu izmantošanu, pēc kuras tiks piemērota komerciālas lietošanas garantija.

11.2 KAS VEIC GARANTIJAS SERVISU?

Visus garantijas pakalpojumus veic Cramer pilnvarotais izplatītājs vai Cramer pilnvarots servisa tehniķis. Izmaksas par servisa izsaukumiem un/vai produkta transportēšanu uz un no pilnvarotā izplatītāja, kā arī garantijas darbiem sedz produkta īpašnieks. Lai saņemtu garantijas apkalpošanu, sazinieties ar pilnvaroto izplatītāju.

11.3 GADĪJUMI, UZ KURIEM NEATTIECAS GARANTĪJA

Cramer garantija netiek sniegta:

- Nepilnvarotu personu veikta remonta gadījumā.
- Par bojājumiem, kas radušies, lietojot Cramer izstrādājumu citiem mērķiem, kuriem tas nav paredzēts.
- Par bojājumiem, ko izraisījušas tādas katastrofas kā ugunsgrēks, plūdi, vējš un zibens.
- Par bojājumiem, kas radušies nolaidīgas rīcības, ļaunprātīgas izmantošanas, neparedzētas lietošanas, nepareizas vai nepamatotas lietošanas, negadījuma dēļ, piemēram, ūdens radīti bojājumi.
- Remonts vai nomainīšana, ko izraisa neatļautu detaļu, piederumu vai papildaprīkojuma izmantošana.
- Par remontu vai detaļu nomainīšanu, kuru rezultātā tiek veiktas izmaiņas vai modifikācijas, nosakot Cramer, kas negatīvi ietekmē iekārtas darbību, veiktspēju vai ilgmūžību.
- Produkti, komponenti vai daļas, ko nav ražojis Cramer.
- Produkti, kuru identifikācija ir mainīta, tostarp, bet ne tikai, noņemti un/vai kļuvuši nesalasāmi sērijas numuri.
- Nolietojums vai bojājumi, kas radušies parasta nodiluma gadījumā, saprātīgas un pareizas apkopes neveikšana, izstrādājuma īpašnieka rokasgrāmatas lietošanas, apkopes un regulēšanas instrukciju vai citu ekspluatācijas instrukciju neievērošana, ko sniedz Cramer.
- Parastās apkopes daļas un apkope, tostarp, bet ne tikai, smērvielas, regulējamās daļas, asmeņi, asmeņu asināšana, gultņi, bremžu vai stūres regulēšana.
- Produkti, kuriem nav apstiprināta programma lietošanai šim produktam, tostarp parametru izmaiņas, pēcpārdošanas programmēšana vai pielāgojumi, vai jebkuras neapstiprinātas komponentu, elektronikas vai programmatūras modifikācijas.

11.4 GARANTIJAS ATRUNA

Iepriekš minētās garantijas aizstāj visas citas tiešas vai netiešas garantijas, tostarp, bet ne tikai, netiešās garantijas par piemērotību tirdzniecībai un noteiktam mērķim. Tomēr, ja Cramer produkts ir iegādāts kā patēriņa prece, jebkura netiešā garantija par piemērotību tirdzniecībai vai noteiktam mērķim ir ierobežota līdz šīs ierobežotās garantijas darbības laikam. Dažos apgabalos netiešas garantijas spēkā esamības ilguma ierobežojumi nav atļauti, tāpēc augstāk aprakstītie ierobežojumi uz jums var neattiekties. Šī garantija jums sniedz noteiktas juridiskas tiesības, un jums var būt arī citas tiesības, kas atšķiras atkarībā no valsts un apgabala.

11.5 ATBILDĪBAS IEROBEŽOJUMI

Nekādā gadījumā Cramer neuzņemas atbildību par īpašiem, nejaušiem vai izrietošiem zaudējumiem, kuru pamatā ir garantijas pārkāpums, līguma pārkāpums, nolaidīga rīcība, stingra atbildība par kaitējumu vai jebkura cita juridiska teorija. Šādi bojājumi ietver, bet ne tikai:

- Peļņas zaudējumi
- Ietaupījumu vai ieņēmumu zaudējumi
- Produkta vai ar to saistīta aprīkojuma Cramer izmantošanas radīti zaudējumi
- Kapitāla izmaksas
- Jebkāda aizvietojamā aprīkojuma, aprīkojuma, servisa vai dīkstāves radītas izmaksas
- Trešo pušu, tostarp klientu, prasības un īpašuma bojājumi

11.6 TERMIŅA IEROBEŽOJUMS

Ja vien valsts tiesību akti nenosaka citādi:

Jebkura darbība par garantijas pārkāpumu ir jāuzsāk piecu (5) gadu vai sešdesmit (60) mēnešu laikā no iegādes datuma attiecībā uz izmantošanu dzīvojamās zonas vidē un/vai komerciālā lietojuma gadījumā.

Ja izgatavošanas datums pārsniedz saprātīgu laika posmu pirms pirmā klienta pirkuma, Cramer uz garantiju var attiekties papildu ierobežojumi.

11.7 CITU GARANTIJU NAV

Šī vienošanās ir jāsaprot kā pilnīga un ekskluzīva vienošanās starp pusēm, kas aizstāj visas iepriekšējās mutiskās vai rakstiskās vienošanās un visas citas saziņas starp pusēm saistībā ar šīs vienošanās priekšmetu.

11.8 ĪPAŠNIEKA ATBILDĪBA

Jums ir jāuztur savs Cramer produkts, ievērojot apkopes procedūras, kas aprakstītas īpašnieka rokasgrāmatā. Izmaksas par šādu regulāri veiktu apkopi, neatkarīgi no tā, vai to veic izplatītājs vai jūs, ir jāsedz jums.

Šī mašīna, tāpat kā jebkura cita ar strāvu darbināma iekārta, ir potenciāli bīstama, ja tā netiek izmantota pareizi. Jebkuram operatoram ir jārīkojas piesardzīgi un vienmēr jāpatur prātā drošības apsvērumi. Jebkuram operatoram pirms Cramer produkta lietošanas ir rūpīgi jāiepazīstas ar īpašnieka rokasgrāmatu par mašīnas darbību un drošību, kā arī ar visiem drošības brīdinājumiem, kas norādīti uz pašas mašīnas.

11.9 RISKU SADALE

Šī vienošanās nosaka risku sadali produkta bojājuma vai kļūmes gadījumā starp Cramer un īpašnieku. Šo sadalījumu atzīst abas puses, un tas ir atspoguļots produktu cenā.

11.10 GARANTIJAS REĢISTRĀCIJA

Ja vien valsts tiesību akti nenosaka citādi:

1. Īpašniekiem mašīna ir jāreģistrē Cramer desmit (10) dienu laikā pēc iegādes datuma.
2. Reģistrāciju var veikt, aizpildot garantijas reģistrācijas veidlapu, kas ir norādīta lietotāja rokasgrāmatā.
3. Tāpat reģistrāciju var veikt, izmantojot veidlapas tiešsaistē cramertools.com vai izmantojot lietotni un iesniedzot pirkumu apliecināšu dokumentu (čeku, ieskaitot pirkuma datumu).

12 ES ATBILSTĪBAS DEKLARĀCIJA

Ražotāja nosaukums un adrese:

Nosaukums: Greenworks Tools Europe GmbH
Adrese: Brunnenweg 17, 64331 Weiterstadt, Vācija

Personas, kura pilnvarota sastādīt tehnisko dokumentāciju, vārds, uzvārds un adrese:

Nosaukums: Ralf Pankalla
Adrese: Brunnenweg 17, 64331 Weiterstadt, Vācija

Ar šo mēs apliecinām, ka izstrādājums

Kategorija: Nulles pagriezienu zāles plāvējs
Modelis: 82ZT107
Sērijas numurs: Skatīt izstrādājuma marķējuma plāksnīti
Iekārtas izlaides gads: Skatīt izstrādājuma marķējuma plāksnīti

- atbilst Direktīvas Nr. 2006/42/EK par mašīnām attiecīgajiem noteikumiem.
- atbilst sekojošu EK direktīvu noteikumiem:
 - 2014/30/ES
 - 2011/65/ES un (ES) 2015/863

Turklāt mēs apliecinām, ka ir izmantoti šādi Eiropas saskaņotie standarti (daļas/klauzulas):

- EN 62841-1, EN ISO 5395-1, EN ISO 5395-3, EN ISO 14982, IEC 62321-3-1, IEC 62321-4, IEC 62321-5, IEC 62321-6, IEC 62321-7-1, IEC 62321-7-2, IEC 62321-8

Vieta, datums: 11.11.2022

Paraksts: Kvalitātes daļas direktors Ted Qu

Ted Qu

1 Kirjeldus.....	394	7.3 Määrimine.....	411
1.1 Ülevaade.....	394	7.4 Pingutusmomendi väärtused.....	412
1.2 Juhtpaneel.....	394	7.5 Akuploki hooldus.....	412
2 Seadme lahtipakkimine.....	394	7.6 Akupesa filtri hooldus.....	412
3 Paigaldus.....	395	7.7 Hooldus.....	412
3.1 Istme paigaldus.....	395	8 Transport ja hoiustamine.....	413
3.2 Multšikatte paigaldamine.....	395	8.1 Transport.....	413
3.3 Paigaldage juhthoob.....	395	8.2 Puhastamine ja hoiustamine.....	414
3.4 Neutraalse mõõdaviigu nupp.....	396	9 Tõrkeotsing.....	416
3.5 Tugirattad.....	396	10 Tehnilised andmed.....	418
4 Kasutusjuhised.....	396	11 Piiratud garantii.....	419
4.1 Enne kasutamist.....	396	11.1 Garantii katvus.....	419
4.2 Seadme kasutamine.....	398	11.2 Garantii teenuste teostaja.....	419
5 Elektrisüsteem.....	403	11.3 Garantii alla mittekuuluv.....	419
5.1 Elektrisüsteemiga seotud ohutus.....	403	11.4 Lahtiütlus garantiist.....	420
5.2 Teave elektrisüsteemi kohta.....	403	11.5 Garantiihüvitiste piirang.....	420
5.3 Digitaalne kuvar.....	403	11.6 Ajapiirang.....	420
6 Tõrked.....	404	11.7 Muude garantiide puudumine.....	420
6.1 Tõrkekood.....	405	11.8 Omaniku vastutus.....	420
7 Hooldus.....	410	11.9 Riskide jaotus.....	421
7.1 Niiduki terade hooldus.....	410	11.10 Garantii registreerimine.....	421
7.2 Rehvid.....	411	12 EÜ vastavusdeklaratsioon.....	421

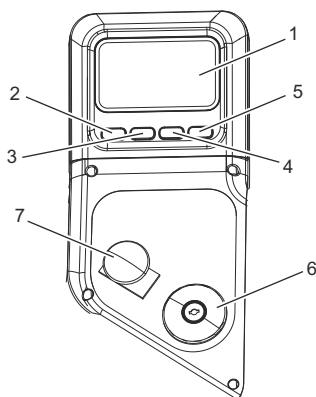
1 KIRJELDUS

1.1 ÜLEVAADE

Vt eraldi joonistelehte 1-19

- | | | | |
|----|---|----|----------------------------|
| 1 | Juhthoovad | 19 | Neutraalse mõõdaviigu nupp |
| 2 | Istme reguleerhoob | 20 | Seerianumber |
| 3 | Esituli | 21 | Sidumiskood |
| 4 | Esirattad | 22 | QR-kood |
| 5 | Väljalaskeava | 23 | Akupesa |
| 6 | Veorattad | 24 | Aku |
| 7 | Juhtpaneel | 25 | Akuriiv |
| 8 | USB-pesa | 26 | Toite väljalülitus |
| 9 | Tassihoidik | 27 | Toite sisselülitus |
| 10 | Korpus | 28 | Süütevõtme ava |
| 11 | Tugirattad | 29 | Polt |
| 12 | Lõikekorpuse kõrguse reguleerimise hoob | 30 | Seib |
| 13 | Istme aluspaneel | 31 | Tera |
| 14 | Istmekinniti | 32 | Aiavoolik |
| 15 | Multšikate | 33 | Kiirliitmik |
| 16 | Laagrirõngas | 34 | Pesuava |
| 17 | Kinnitusklambrid | 35 | Õli äravooluava |
| 18 | Paigaldusvarb | 36 | Õlivarras |

1.2 JUHTPANEEL



#	Nimetus	Funktsioon
1	Digitaalne kuvar	See näitab olulist teavet elektrisüsteemi kohta. Täieliku teabe saamiseks vt elektrisüsteemide jaotist.
2	Tera kiiruse juhtimine / tagasi-nupp	Reguleerige tera kiirust (tsükline), kui ollakse avalehel. Vajutage nuppu, et eelmisele lehele naasta.
3	Menüünavigatsioon / leht üles	Minge digitaalsel kuvaril viimasele leheküljele. Tagasi avakuvale.
4	Lampide lülitid / leht alla	Lülitage lambid sisse/välja, kui ollakse avalehel. Minge digitaalsel kuvaril järgmisele leheküljele.
5	Sõidukiiruse juhtimine / kinnita-nupp	Reguleerige sõidukiirust (tsükline), kui ollakse avalehel. Kinnitamiseks vajutage nuppu.
6	Toitelüliti	Lülitit kasutatakse niiduki sisse ja välja lülitamiseks.
7	Lõikekorpuse terade sisse/väljalülitamise lüliti (käitusvõll)	See lüliti rakendab lõiketerade mootoreid. Mootorite käivitamiseks tõmmake lüliti üles ja mootorite seiskamiseks lükake lüliti alla.

i OLULINE

Ärge kunagi käivitage lõiketerade mootoreid, kui lõikekorpuse peal on koormus. Mootorid või lõikekorpus võivad kahjustada saada.

2 SEADME LAHTIPAKKIMINE

▲ HOIATUS

Enne kasutamist pange seade korrektselt kokku.

▲ HOIATUS

- Ärge kasutage seadet, kui seadme osad on kahjustunud.
- Ärge kasutage seadet, kui seadmelt puuduvad osad.
- Kui osad on kahjustunud või puudu, võtke ühendust teenindusega.

1. Avage pakend.
2. Lugege kassis sisalduvaid dokumente.
3. Võtke kõik osad kastist välja.
4. Võtke seade kastist välja.
5. Visake kast ja pakkematerjal ära vastavalt kohalikele eeskirjadele.

▲ HOIATUS

Ohutuse huvides ärge paigaldage akut enne, kui seade on täielikult kokku pandud.

3 PAIGALDUS

3.1 ISTME PAIGALDUS

Vt *joonist 3*

1. Pange istmekoost istme aluspaneelile ja joondage avad näidatud viisil.
2. Paigaldage poldid, seibid ja mutrid ning pingutage need kindlalt kinni.
3. Kinnitage hülsid mutrite külge.
4. Veenduge, et see kindlalt omal kohal oleks.
5. Ühendage istmekinniti seadmega.

3.2 MULTŠIKATTE PAIGALDAMINE

Vt *joonist 4*

Kui niiduk tarnitakse, on see seadistatud külgväljalaskele. Kui soovite multšimist, toimige alljärgnevalt.

1. Pange multšikate niiduki korpuse sakile.
2. Joondage multšikatte augud niiduki korpuse aukudega.
3. Paigaldage ja pingutage poldid, kruvid, kinnitusklambrid ja laagrirõngas näidatud viisil.

3.3 PAIGALDAGE JUHTHOOB

Vt *joonist 5-6*

▲ HOIATUS

Vasakut ja paremat juhthooba tuleks reguleerida nii, et need oleksid neutraalasendis üksteisega joondatud. ÄRGE KUNAGI paigaldage juhthoobi asümmeetrilisele töökõrgusele.

1. Tõstke ühte juhthooba, et joondada kangi augud vastava paigaldusvarva aukudega.
2. Valige juhthoova eelistatud töökõrgus. Sisestage kruvi koos seibiga auku.
3. Kasutage juhthoova kinnitamiseks mutrivõtit (13*16 mm).
4. Pange teine juhthoob samamoodi kokku.

▲ ETTEVAATUST

Ärge paigaldage juhthooba tagurpidi.

3.3.1 JUHTHOOVAD

Kaks kangi juhivad niiduki kiirust, suunda, peatumist, neutraalilukku ja seisupidurit. Kange kasutatakse juhtimiseks, kiirendamiseks, aeglustamiseks, peatumiseks ja suuna muutmiseks. Kui juhthoovad on seisupiduri asendis, siis niiduk ei liigu.

i MÄRKUS

Sõitke alati mõlemat kätt kasutades. Ärge sõitke ainult üht kätt kasutades.

3.3.2 RAKENDUSE KASUTAMINE

Vt joonist 9-10

1. Külastage seadmepargi halduslehte aadressil fleet.cramertools.com
2. Looge konto ja logige seejärel sisse.
3. Kutsuge oma ettevõttest teisi kasutajaid.
4. Skannige QR-kood, laadige rakendus alla ja logige sisse.
5. Lisage seade. Leidke sõidukilt selles juhendis olevale vastav silt seerianumbri, sidumiskoodi ja QR-koodiga. Skannige QR-kood või trükkige kood käsitsi sisse.

3.4 NEUTRAALSE MÖÖDAVIIGU NUPP

Vt joonist 7-8

1. Ratta lukust vabastamiseks tõmmake neutraalse möödaviigu nupud väljapoole ja seejärel alla.
2. Rataste lukustamiseks lükake neutraalse möödaviigu nupud tagasi algasendisse.

▲ HOIATUS

Ärge kunagi sõitke niidukiga, kui neutraalse möödaviigu nupp on aktiivne. Enne sõitmist seadke neutraalse möödaviigu nupp alati uuesti algasendisse! Nupu uuesti algasendisse seadmata jätmine võib teie niidukit tõsiselt kahjustada ja niiduki garantii tühistada!

▲ HOIATUS

Ärge kunagi avage neutraalse möödaviigu nuppu, kui masin töötab nõlval!

3.5 TUGIRATTAD

Vt joonist 2

Tugirattad kuuluvad ettevõtte Cramer seadmete standardvarustusse. Need tugirattad on loodud, minimeerimaks konarlikul ja ebatasasel maapinnal niites mullamätaste lõikamist. Pärast lõikamiskõrguse seadistamist reguleerige tugirattaid, nii et need ulatuksid lõikekorpusest allapoole, kuid ei puutuks vastu maapinda. Need peaksid alati olema 0,6 cm kuni 1,9 cm lõikekorpusest allpool. Kui seade seisab tasasel maapinnal, saab rataste asendit vastavalt vajadusele üles- ja allapoole reguleerida, nii et need on terade pinnast 1,9 cm kuni 4,4 cm allpool. Liigutage rattaid üles- või allapoole, kasutades ratta paigalduskronsteinis olevaid erinevaid telgede kinnitusauke (kui need on mudelil olemas).

4 KASUTUSJUHISED

4.1 ENNE KASUTAMIST

4.1.1 ISTME REGULEERIMINE

Vt joonist 11

▲ HOIATUS

Enne iga kasutamist veenduge, et istmealus oleks kindlalt poltidega kinnitatud, et vältida istme liikumist/kaldumist niiduki kaldumise või ümbermineku korral.

1. Enne istme reguleerimist lükake juhthoovad väljapoole SEISUPIDURI asendisse.

2. Istuge istmele ja tõmmake istme reguleerhooba.
3. Hoidke hooba ja libistage samal ajal iste soovitud asendisse.
4. Vabastage juhthoob ja veenduge enne töö alustamist, et iste oleks soovitud asendisse lukustatud.

▲ HOIATUS

Veenduge enne niidukiga töötamist, et iste oleks oma kohale lukustatud. Iste, mis pole kindlalt kinnitatud, võib põhjustada operaatori nihkumist oma kohalt ja niiduki üle kontrolli kaotamist ning lõppeda surma või tõsise kahavigastusega.

4.1.2 LÕIKEKÕRGUSE REGULEERIMINE

Vt joonist 12

Tõstke enne niiduki kasutamist lõiketerad kõrgusele, mis teie murule kõige paremini sobib.

Lõiketerade kõrgust saab reguleerida vahemikus 3.81-11.4 cm. Lõikekorpus peaks niitmise ajal tõstetud olema, et vältida kände, kive ja muid takistusi, mis võivad niiduki lõikekorpusst kahjustada.

▲ ETTEVAATUST

Kui lõikekorpuse kõrgust reguleerite, hoidke lõikekorpuse kõrguse reguleerimise hooba kindlalt ning vabastage see alles siis, kui see on kindlalt soovitud avauses. Hoova järsk vabastamine võib tekitada operaatori käe muljumise või kiskumise ohtu.

1. Peatage niiduk ja seisake terad.
2. Keerake sүүtevõti väljalülitatud asendisse (OFF) ja rakendage seisupidur.
3. Lõikekorpuse tõstmiseks haarake lõikekorpuse kõrguse reguleerimise hoovast, lükake seda vasakule, et see avausest vabastada, lükake seda niiduki tagaosas suunas ja seejärel lükake seda paremale, et see kindlalt soovitud avausse kinnituks.
4. Lõikekorpuse langetamiseks haarake lõikekorpuse kõrguse reguleerimise hoovast, lükake seda vasakule, et see avausest vabastada, lükake seda niiduki esiosa suunas ja seejärel lükake seda paremale, et see kindlalt soovitud avausse kinnituks.

4.1.3 REGULEERIGE JUHTHOOBA

Juhthoobi saab juhi mugavuse huvides reguleerida. Lõdvendades ülemist juhthooba alumise juhthoova külge kinnitavad kruvid, saab ülemist juhthooba pöörata, et see sobiks operaatori isiklike eelistustega. Juhthoobi tuleks reguleerida nii, et need oleksid neutraalasendis üksteisega joondatud.

4.1.4 AKUPLOKI PAIGALDAMINE

Vt joonist 13

Veendumaks, et niiduki akud oleks täiesti laetud, kontrollige akutaseme näidikut. Üksikasju vaadake aku kasutusjuhendist.

1. Tõstke istme aluspaneel üles.
2. Avage akupesas kate.
3. Paigaldage akuplokk akupesassa.

▲ HOIATUS

Joondage aku reljeefribud akupordiga. Veenduge, et akuriiv klõpsaks sujuvalt akupesassa.

4.1.5 ENNE SEADME KASUTAMIST

- Veenduge, et tööpiirkonnas ei oleks lapsi, kõrvalisi isikuid ega lemmikloomi.
- Puhastage tööpiirkond esemetest, mida niiduki terad võivad õhku paisata.
- Kontrollige pidurite toimimist.
- Kontrollige rehvirõhku.
- Kontrollige, et ükski kinnitus poleks lahti.
- Kontrollige, et kõik kaitsmed oleks omal kohal ja toimiksid nõuetekohaselt.
- Puhastage niiduk prahist.

- Kontrollige turvalukustusüsteeme.
- Reguleerige iste soovitud asendisse.
- Kontrollige aku laetuse taset.

4.1.6 KÄIVITUSE TURVALUKUSÜSTEEM

Masin on varustatud käivituse turvalukustusüsteemiga, mis koosneb seisupiduri lülititest, juhi kohaloleku lülitist ning löikekorpuse terade sisse/väljalülitamise lülitist.

Niiduki käivituse turvalukustusüsteem on loodud ka juhi ja teiste kaitsmiseks juhuslike vigastuste eest, mis on tingitud veoajamisüsteemi tahtmatust käivitumisest.

Kontrollige niiduki käivituse turvalukustusüsteemi iga päev enne kasutamist. See süsteem on niiduki oluline ohutusfunktsioon. Rikke korral tuleb see kohe parandada. Masinal on eraldi juhi kohaloleku lüliti, mis peatab ajamisüsteemi ja löikekorpuse mootorid, kui juht ei ole niiduki töötamise ajal mingil põhjusel omal kohal. See on ohutusfunktsioon, mis on loodud kontrollimatu liikumahakkamise või juhusliku takerdumise vältimiseks.

▲ HOIATUS

Turvalukustusüsteemi ei tohi lahti ühendada ega sellest mööda minna. See võib põhjustada masina ootamatu tööle hakkamise, mille tagajärjeks on kehavigastused.

Süsteemi kontrollimiseks:

1. peab operaator juhi kohaloleku lüliti testimiseks olema istmel.
2. Masina käivitamiseks keerake võtit.
3. Tõmmake juhthoovad parkimisasendi pesadesse.
4. Mootori sisselülitamiseks tõmmake käitusvõlli lülitit üles.
5. Tõuske aeglaselt istmelt üles. Löikekorpuse teradesüsteem peaks seiskuma.
6. Kui löikekorpuse teradesüsteem ei seisku, kui operaator on istmelt ära ja põhjust ei ole võimalik kindlaks teha, võtke koheselt ühendust Cramer oma edasimüüjaga.

4.2 SEADME KASUTAMINE

4.2.1 SEADME KÄIVITAMINE

Vt joonist 14

i MÄRKUS

Enne niidukiga töö alustamist veenduge, et tööpiirkonnas poleks kõrvalisi isikuid. Kui keegi siseneb niidetavale alale, peatuge viivitamatult ja ärge jätkake niitmist enne, kui kõrvalised isikud on niidetavalt alalt lahkunud.

1. Tõstke niiduki löikekorpus kõrgeimasse võimalikku asendisse.
2. Sisestage süütevõti ja keerake see sisselülitatud asendisse (ON).
3. Tõmmake paremat ja vasakut juhthooba sissepoole.
4. Tõmmake löikekorpuse käitusvõlli lülitit, et lõiketerad niitmiseks käivitada.

i MÄRKUS

Rakendage lõiketerad ainult siis, kui juhtoovad on NEUTRAALASENDIS! ÄRGE KUNAGI rakendage lõiketerasid liikumise ajal!

5. Pange juhthoovad edasikäiguasendisse (D) ja sõitke soovitud niitmiskohta.

i MÄRKUS

Olge pinnakattega jalusteid ja sissesõiduteid ületades ettevaatlik. Seisake enne nende ületamist terad ja tõstke löikekorpus nii kõrgele, kui võimalik, et minimeerida kivide eemale paiskumise ohtu. Sõitke ettevaatlikult, et vältida haardumise ja seadme üle kontrolli kaotamist.

i MÄRKUS

Ärge proovige töösuunda muuta, kui niiduk liigub. Laske niidukil enne töösuuna muutmist alati täielikult seisma jääda.

i MÄRKUS

Juhthoovad liiguvad tagasi neutraalasendisse, kui need vabastate, kuid neutraalasendi saavutamiseks peate neid siiski käsitsi juhtima.

4.2.2 MASINA JUHTIMINE

Pärast veoajamisüsteemi käivitamist rakendage juhthoobi ja juhtige järgmiselt.

▲ HOIATUS

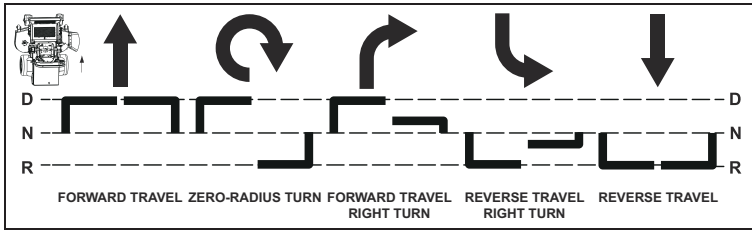
Enne tagurdamist vaadake alati, mis masina taga on. Ärge niitke vastassuunas, kui see just vältimatult vajalik ei ole. Enne tagurdamist ja selle ajal vaadake alati alla ja taha.

▲ HOIATUS

Juhthoobade kiire liigutamine ei ole soovitatav, kuna see võib kahjustada elektrisüsteemi komponente.

- **Edasi liikumiseks** lükake juhthoovad võrdse vahemaa võrra ettepoole.
- **Tagurpidi liikumiseks** tõmmake juhthoovad võrdse vahemaa võrra tahapoole.
- **Vasakule pööramiseks** liigutage parempoolne juhthoob neutraalasendist kaugemale ettepoole kui vasakpoolne juhthoob.
- **Paremale pööramiseks** liigutage vasakpoolne juhthoob neutraalasendist kaugemale ettepoole kui parempoolne juhthoob.
- **Nullraadiusega pöörde sooritamiseks** liigutage üht juhthooba ette ja teist juhthooba taha. See võimaldab veoratastel vastupidist pöörlemist.
- **Kiiruse peatamiseks või vähendamiseks** liigutage juhthoovad neutraalasendisse. Edasi liikudes tõmmake juhthoobasid ettevaatlikult tagasi. Tagurdades lükake juhthoobasid õrnalt ettepoole.
- **Hädapeatamiseks** saab kasutada kahte meetodit.
 - Edasi või tagurpidi sõites pange juhthoovad koheselt seisupiduri asendisse. Tagasisuunas liikudes lükake juhthoobasid õrnalt ettepoole ja vältige järske liikumisi. Igasugune äkiline liikumine võib põhjustada niiduki esiosa maapinnast lahtitulekut, mille tulemuseks võib olla juhitavuse kaotus, põhjustades sellega tõsiseid vigastusi või surma.
 - Keerake süütevõti väljalülitatud asendisse (OFF). See lülitab veoajamisüsteemi ja lõikekorpuse ajamisüsteemi välja.
- **Kolmepunktilise pöörde tegemiseks paremale** liigutage vasakpoolne juhthoob neutraalasendist kaugemale ettepoole kui parempoolne juhthoob ja alustage pööret. Seejärel tõmmake juhthoobasid tagasi, kuni need on neutraalasendist möödas ja masin hakkab tahapoole liikuma. Tõmmake parempoolset juhthooba neutraalasendist kaugemale tahapoole kui vasakpoolset juhthooba, kuni masina tagaosa on ümber pööratud. Seejärel lükake juhthoobasid ettepoole, kuni need mõlemad on neutraalasendist möödas ja masin hakkab edasi liikuma. Lükake vasakpoolset juhthooba neutraalasendist kaugemale ettepoole kui parempoolset juhthooba ja lõpetage pööre.
- **Kiiruse suurendamiseks** suurendage juhthoova kaugust neutraalasendist. Mida kaugemale ettepoole juhthoovad neutraalasendist suunatud on, seda kiiremini masin edasi liigub. Mida kaugemale tahapoole juhthoovad neutraalasendist suunatud on, seda kiiremini masin tagurdab.

NIIDUKI ESIOOSA ON SELLES SUUNAS



N= NEUTRAALASEND

D= EDASIKÄIGUASEND

R= TAGASIKÄIGUASEND

Noolte suund näitab niiduki liikumise suunda



Vasakpoolne juhthoob

Parempoolne juhthoob

4.2.3 SEISAKE MASIN

▲ OHTLIK

Ärge kunagi tehke järske peatusi ega vahetage järsult suunda, eriti kui manööverdate nõival. Juhthoovad on loodud tundlikuks ümberkäimiseks. Juhthoobade kiire liikumine kummaski suunas võib põhjustada masina reaktsiooni, mis võib viia tõsisete vigastusteni.

1. Viige rooli juhthoovad tagasi neutraalasendisse. Lükake juhthoovad väljapoole seisupiduri asendisse.
2. Terade väljalülitamiseks vajutage löikekorpuse terade sisse/väljalülitamise lülitit (käitusvõll).
3. Pöörake võti toitelülitis asendisse OFF (väljas).

▲ ETTEVAATUST

Soovitav on masinast eemaldada süütevõti, et vältida masina juhuslikku käivitumist.

4.2.4 USB-PESA KASUTAMINE

Vt joonist 15

USB-laadimisporid pakuvad 5-voldist kuni 2,1-amprilist alalisvooluga laadimisvõimsust mobiiltelefonide, MP3-mängijate või muude USB-seadmete laadimiseks. Täpsemate laadimisnõuete nägemiseks lugege oma seadme kasutusjuhendit.

Oma seadme laadimise alustamiseks ühendage USB-kaabli (ei kuulu komplekti) üks ots oma seadmega ja teine ots niiduki USB-laadimispesaga.

i MÄRKUS

Kui proovite laadida seadmeid volutugevusega, mis ületab 2,1 amprit, võib see kahjustada USB-laadimispesa ja/või niidukit.

i MÄRKUS

USB-laadimispesa võimaldab laadimist üksnes siis, kui seade on käivitatud.

▲ HOIATUS

Ärge kunagi kasutage niidukiga töötamise ajal kõrvaklappe ega ühtegi elektroonikaseadet, nagu nutitelefoni või tahvelarvuti. Tähelepanu hajumine töötamise ajal võib kaasa tuua õnnetuse, mis võib põhjustada operaatori või kõrvalise isiku surma või tõsiseid kehavigastusi.

4.2.5 KASUTUSSOOVITUSED

▲ OHTLIK

Enne kasutamist peaks operaator olema põhjalikult kursis seadme õige kasutamise ja toimimisega, lugema juhendit täielikult ja põhjalikult ning olema proovinud aeglaseid manöövreid, et tutvuda seadme tööga enne tavakiirusel töötamist. Kogenematu operaator ei tohiks niita nõlvadel ega ebatasasel pinnal.

▲ HOIATUS

Kui kaotate masinaga töötamise ajal juhitavuse, pange juhthoovad koheselt seisupiduri asendisse ja keerake võti asendisse OFF (väljas). Kontrollige masinat ja konsulteerige Cramer enne töö jätkamist probleemi lahendamiseks oma edasimüüjaga.

▲ HOIATUS

Seadme juhthoovad on väga tundlikud. Sujuvaks tööks liigutage hoobasid aeglaselt, vältides järske liigutusi. Oskused ja kasutuslihtsus tulevad praktika ja kogemusega. Masin võib väga kiiresti pöörata. Olge pöördede tehes ettevaatlik ja aeglustage enne järske pöördede.

Kogenematutel operaatoritel võib olla kalduvus ülejuhtimiseks ja juhitavuse kaotamiseks. Masina funktsioonide ja omadustega tutvumiseks on enne tavakiirusel töötamist soovitatav teha aeglaseid manöövreid.

▲ HOIATUS

Sügavatele lohkedele ega kõrgendatud takistustele (nagu vihmaveerenid või äärekivid) ei tohi suurel kiirusel otse läheneda, et neist „üle hüpata“ püüda, kuna operaator võib seadmest välja paiskuda. Lähenege aeglasel kiirusel ja kallutage üks veoratas takistuse poole. Jätkake nurga all, kuni ratas vabaneb, ja seejärel pöörake vastasratas ümber.

Pehmel või mürjal murul keerates hoidke mõlemat ratas edasi või tagasi veeremas. Pööramine, kui üks ratas on peatunud, võib muru kahjustada. Hoidke lõikekerad teravad. Paljud valede niitmismustritega seotud probleemid tulenevad nüridest või valesti teritatud teradest. Terade teravust tuleb kontrollida iga päev.

▲ OHTLIK

Ärge kunagi töötage teradega, kui süütevõti on süütelukus. Pange lõikekorpuse terade sisse/väljalülitamise lüliti (käitusvõli) alati väljalülitatud asendisse, pange juhthoovad seisupiduri asendisse ning keerake võti asendisse OFF (väljas) ja eemaldage võti lülitist. Kui peate niiduki all töötama, blokeerige niiduki rattad. Kandke terade käsitsemise ajal kindaid. Kontrollige terasid kahjustuste suhtes alati, kui niiduk tabab niitmise ajal kivi, oksa või muid võõrkehi.

- **Suunake muru väljaheide paremale**, niitmata alast eemale. Valige niitmismuster, mis suunab muru väljaheite niitmisaalast väljapoole. Üldjuhul tähendab see vasakpöõret kasutava mustrit kasutamist, kuna külgheide on paremale. Igal juhul vältige muru heidet niitmata alale, sest siis niidetakse muru „kaks korda“. Kahekordne niitmine koormab tarbetult seadet ja vähendab niitmise efektiivsust.
- **Esmakordsel muru niitmisel** niitke muru tavapärasesst veidi kõrgemalt, et vältida ebatasasel maapinnal niites mullamätaste lõikamist. Võimaluse korral on kõige parem kasutada varem kasutatud niitmiskõrgust. Kui niidate muru, mis on kõrgem kui 152 mm (6 tolli), võite parema niitmiskvaliteedi saavutamiseks muru niita kaks korda.
- **Tavapärasel niitmisel** lõigake rohuliblest ära üksnes 38 mm (1,5 tolli). Sellest rohkema lõikamine pole soovitatav, kui just muru pole hõre või käes pole niitmishooaja lõpp.
- **Vahetage niitmismustrit niitmiste vahel**, et muru kasvaks sirgena ja niidet paremini hajutada.
- **Pidage meeles, et muru kasvab erinevatel aastaaegadel** erineva kiirusega. Niitke varakevadel sagedamini, et säilitada sama niitmiskõrgus. Kuna suve keskel kasvutempo aeglustub, niitke harvemini. Kui te ei saa niita regulaarsete intervallidega, niitke algul kõrgel niitmiskõrgusel, seejärel kahe päeva pärast uuesti madalamal niitmiskõrgusel.
- **Tõstke niiduki niitmiskõrgust**, kui niiduki niitmislaius on laiem kui eelmisel niidukil. See tagab, et ebatasast muru ei lõigata liiga lühikeseks.
- **Tõstke niiduki niitmiskõrgust**, kui muru on tavalisest veidi kõrgem või kui see sisaldab palju niiskust. Seejärel niida muru uuesti madalamaks seatud niitmiskõrgusel.

- **Kui masina edasilükkimine tuleb niitmise ajal peatada**, võib murule pudeneda muruklompe. Selle vältimiseks liikuge eelnevalt niidetud alale, kui terad on sisse lülitatud.
- **Laadige aku kohe täis**, kui masina aku laetusaste on alla 5%.

Mudeli nr	Aku mahutavus	Tegevus	Aku mahutavus	Tegevus
82ZT107	≤5%	Maksimaalne sõidukiirus on 6.4 km/h.	≤5%	Töötav tera peatub automaatselt. Seade tuleb viivitamatult viia tagasi akulaadimisalasse ja seade ühendada akulaadijaga.

- **Laske mootoritel 30 minutit jahtuda.** Kui sõiduajami mootor ületab programmeeritud temperatuuri, väheneb mootori kiirus. Kui temperatuur jätkab tõusmist, lülitub ajam kõrgemal programmeeritud temperatuuril välja.

4.2.6 KASUTAMINE NÕLVADEL

Vt joonist 16

Nõlvad on sageli seotud niiduki üle kontrolli kaotamist ja niiduki kummuli minemist hõlmavate õnnetustega, mis võivad põhjustada tõsiseid kehavigastusi ja surma. Kõikidel nõlvadel töötamise ajal tuleb olla eriti tähelepanelik. Kui te ei saa nõlval tagurdada või tunnete end seal ebakindlalt, ärge niitke seda.

- Sõitke nõlvadel suundades, mida tootja on soovitanud. Olge järsakute läheduses töötades ettevaatlik.
- Ärge mingil juhul töötage niidukiga, kui haardumine, rooliga juhtimine või stabiilsus ei pruugi nõuetekohaselt toimida. Rehvid võivad libiseda isegi siis, kui rattad on seiskunud.
- Hoidke nõlvast alla sõites alati käik sees. Ärge sõitke nõlvast tühikäigul alla.
- Olge nõlvadel töötades äärmiselt ettevaatlik.
- Ärge eemaldage ega muutke rattaid.
- Olge aukude, rööbaste, kühmude, kivide ja muude varjatud esemete suhtes tähelepanelik. Niiduk võib ebaühtlasel maapinnal kummuli paiskuda. Pikk muru võib takistusi varjata.
- Eemaldage kõik takistused, nt kivid, puuosad, prügi jne.
- Liikuge nõlvadel alati aeglaselt ja tasapisi. Ärge muutke järsult kiirust ega suunda.
- Vältige nõlval käivitamist ja peatumist. Kui rataste haarduvus kaob, seisake terad ja liikuge aeglaselt nõlvast otse alla.
- Niitke ohutus kauguses (vähemalt 10 jalga või 3 meetrit) järsakutest, tugiseintest, kuivenduskraavidest, kaldapealsetest, veest ja muudest ohtudest, et vältida ratta kukkumist üle serva või maapinna sissevajumist. See vähendab masina ootamatu ümbermineku ohtu, mis võib põhjustada tõsiseid vigastusi või surma.
- Kasutage nõlvadel ning järsakute, tugiseinte, kuivenduskraavide, kaldapealsete ja vee läheduses ees lükatavat muruniidukit või käsitrimerit.
- Ärge niitke niisket muru. Vähenenud veojõud võib põhjustada libisemist ja juhitavuse kaotamist.
- Ärge pukseerige nõlvadel. Pukseeritava varustuse kaal võib põhjustada veojõu ja juhitavuse kaotamise.
- Kui niiduki rehvid kaotavad nõlvadel sõites haarduvuse, lülitage löikekorpuse ajam välja, seadke juhthoovad seisupiduri asendisse, keerake süütevõti asendisse OFF (väljas), eemaldage võti ja hankige abi.
- Ärge kunagi tehke järske käivitusi, peatusi, pöördede ega vahetage järsult suunda, eriti kui manööverdate nõlvadel. Juhthoovad on loodud tundlikuks ümberkäimiseks. Juhthoovade kiire liikumine kummaski suunas võib põhjustada masina reaktsiooni, mis võib viia tõsiste vigastusteni.
- Nõlvast alla sõites ärge kunagi peatuge järsult. See tegevus võib põhjustada masina reaktsiooni, mis võib viia tõsiste vigastusteni.
- Niiduk Cramer on mõeldud nõlvadel võimeline töötama horisontaalselt (sõidusuunaga risti). Kuni 15-kraadistel nõlvadel töötades jälgige kõiki tingimusi, mis võivad põhjustada niiduki veorehvide haarduvuse kadumise, mille tulemuseks on võimalik masina üle kontrolli kaotamine. Operaator ei tohi nõlval töötada enne, kui ta on seadmega põhjalikult tutvunud.

Ärge töötage nõlvadel, mille kalle on suurem kui 15 kraadi.

Niidetava nõlva kaldeastme määramisel vaadake jaotist „Nõlval töötamise juhised“. Kui avastatakse veojõu vähenemise märke, on operaatoril tungivalt soovitatav masin äärmise ettevaatusega nõlvalt maha juhtida.

Oodake, kuni probleemi põhjustanud olukord laheneb, enne kui proovite uuesti nõlval tegutseda. Maapinnatingimused võivad mõjutada veojõudu, mille tulemuseks võib olla kontrolli kaotamine masina üle. Mõned tingimused, millest tuleb teadlik olla, on alljärgnevad.

1. Märg maapind
2. Lohud maapinnas (nt augud, rööpad, väljauhtekohad)
3. Mullahunnikud
4. Teatud tüüpi pinnas (nt liiv, lahtine muld, kruus, savi)
5. Muru tüüp, tihedus ja kõrgus
6. Äärmiselt kuivad tingimused
7. Rehvirõhk

Niiduki külge kinnitatud lisaseadmed mõjutavad ka selle juhitavust nõlval. Pidage meeles, et iga lisaseadme omadused on erinevad.

Need on vaid mõned näited olukordadest, kus nõlvaldel töötades tuleb olla ettevaatlik. Lisaks on veel muid tingimusi, mida siin ei mainita. Ärge unustage mistahes nõlval töötades alati olla äärmiselt ettevaatlik.

5 ELEKTRISÜSTEEM

5.1 ELEKTRISÜSTEEMIGA SEOTUD OHUTUS

- Enne üksuse reguleerimist või parandamist eemaldage süütevõti ja akud ning lugege kasutusjuhendit.
- Enne selle üksusega töötamist eemaldage alati süütevõti ja akud.
- Üksuse transportimisel eemaldage alati süütevõti ja akud.
- Hoidke üksus murulõikmetest, lehtedest ja muust prahist puhas. ÄRGE pihustage üksusele selle puhastamiseks vett. Kasutage ainult suruõhku. Kandke üksuse puhastamisel asjakohaseid nägemis- ja kuulmiskaitsevahendeid.
- Kandke aku läheduses alati kaitseprille ja kaitsevahendeid. Kasutage isoleeritud tööriistu.
- Puhastage akupesa, sõidumootori kamber, niiduki lõikekorpus, iste jm kogu mustusest ja prahist. Ärge kasutage lahusteid, tugevatoimelisi ega abrasiivseid puhastusvahendeid.
- Kui süütevõti on sisselülitatud (ON) asendis, võivad niiduki terad lõikekorpuse terade sisse/välja lülitamise lüliti (käitusvõlli) sisselülitamisel käivituda isegi siis, kui sõidumootor ei tööta. Jälgige, et läheduses ei oleks kõrvalisi isikuid, kui lõikekorpuse terad sisse lülitate.
- Kõik hooldus- ja hoiustusalad peaksid olema tuleohu vältimiseks kooskõlas kohaldatavate tuleohutuseeskirjade ja -määrustega nõuetekohaselt ventileeritud.
- Ärge kunagi võimaldage akude läheduses leeke, sädemeid ega suitsetamist.
- Hoidke akud lastele kättesaamatus kohas.
- Hoidke kaitsekilbid, katted ja kaitsmed alati omal kohal ja kindlalt kinnitatuna. Kui need kahjustada saavad, parandage või asendage need viivitamatult. Ärge iialgi muutke ega eemaldage kaitsevahendeid.

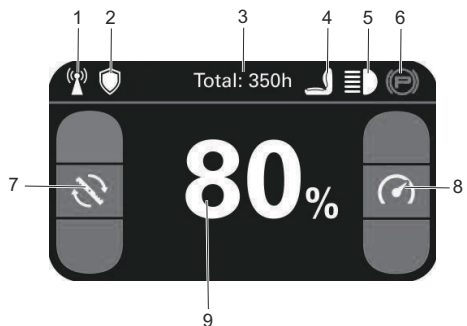
5.2 TEAVE ELEKTRISÜSTEEMI KOHTA

. Cramer niiduki toiteallikaks on 82-voldine elektrisüsteem. See koosneb alljärgnevatest osadest.

1. Tera kontrolleri (1)
2. Terade mootor (2)
3. Sõiduaajami kontrolleri (1)
4. Kiirendi - parem (1)
5. Kiirendi - vasak (1)
6. Digitaalne kuvar (1)
7. Rataste mootor (2)
8. Akuplokk (1)





5.3 DIGITAALNE KUVAR




Juhtpaneelil asuva digitaalse kuvari ülesanne on anda operaatorile teavet elektrisüsteemi kohta. See annab muustrite, koodide ja numbrite kujul üksikasjalikku teavet.



ET

Eesti keel

#	Nimetus	Funktsioon
1		4G GPS-signaali
2		GreenShield
3	Kokku: 350 h	Sõiduki tööaeg
4		Istme lüliti on suletud
5		LED-tuled

#	Nimetus	Funktsioon
6		Seisupidur on peal.
7		Tera kiirus
8		Sõidukiirus
9	80%	Allesjäänud akutase

6 TÕRKED

Kui süsteem CANBUS tuvastab probleemi, rakendub see kasutaja ja seadme kaitsmiseks. Kui see seadme või selle osa välja lülitamiseks rakendub, annab see märku, et on ilmnenud tõrge. See tõrge kuvatakse digitaalsel kuvaril. Kõiki elektrisüsteemiga seotud tõrkeid tähistatakse tähekoodiga, millele järgneb number. Esimene täht kirjeldab tõrke põhjustanud süsteemi vastavalt alljärgnevale tabelile.

Nimetus	Tähendus
TR	Parem sõiduajami kontrolleri ja mootori
TL	Vasak sõiduajami kontrolleri ja mootori
PMU	Toitehaldusüksus (akupesas)
ML	Vasaku tera mootori kontrolleri
MR	Parema tera mootori kontrolleri

6.1 TÖRKEKOOD

Törkekood	Kirjeldus	Lahendus
TR1	Mootori positsioneerimise tõrge	Taaskäivitage toiteallikas.
TR2	Sõiduajami mootori seiskumine	Kontrollige, et sõidurattad poleks kinni jäänud, ja taaskäivitage toiteallikas.
TR3	Mootori madala kiiruse kaitse	Taaskäivitage toiteallikas.
TR4	Mootori ülekiiruse kaitse	Taaskäivitage toiteallikas.
TR5	Mootori Halli efekti anduri tõrge	Kontrollige, et sõiduajami kontrolleri Halli efekti konnektor oleks nõuetekohaselt ühendatud ja seejärel taaskäivitage toiteallikas.
TR6	Kontrolleri faasi kadu	Kontrollige, et sõiduajami kontrolleri mootori kaablid oleks nõuetekohaselt ühendatud, seejärel taaskäivitage toiteallikas.
TR7	Metall-oksüüd-pooljuhi väljatransistori avatud ahela tõrge	Kui ilmneb see probleem, võtke lahenduse leidmiseks ühendust edasimüüjaga.
TR8	Kontrolleri alapinge	Pinge on liiga madal. Enne kasutamist laadige akuplokk täis.
TR9	Kontrolleri ülepinge	Pinge on liiga kõrge. Taaskäivitage toiteallikas.
TR10	Aku madal temperatuur	Akupesa ja aku temperatuur on liiga madal. Kasutage seadet sobival temperatuuril ja taaskäivitage toiteallikas.
TR11	Toitehaldusüksuse ülekuumenemine Kõrge aku temperatuur	Akupesa ja aku temperatuur on liiga kõrge. Oodake, kuni aku maha jahtub, ja taaskäivitage seejärel toiteüksus.
TR12	Mootori ülekuumenemine	Mootori temperatuur on liiga kõrge. Oodake, kuni mootor maha jahtub, ja taaskäivitage seejärel toiteallikas.
TR13	Kontrolleri ülekuumenemine	Kontrolleri temperatuur on liiga kõrge. Oodake, kuni kontrolleri maha jahtub, ja taaskäivitage seejärel toiteallikas.
TR14	Tarkvara ülekoormus	Koormus on liiga suur. Taaskäivitage toiteallikas.
TR15	Riistvara ülekoormus	Koormus on liiga suur. Taaskäivitage toiteallikas.
TR16	Kiirusregulaatori tõrge	Kontrollige, et käepideme kiirusregulaator oleks nõuetekohaselt ühendatud, seejärel taaskäivitage toiteallikas.
TR17	Kontrolleri laadimiseelne tõrge	Taaskäivitage toiteallikas.
TR18	Piduri tõrge	Taaskäivitage toiteallikas.
TR19	Toimingute järjekorra tõrge	Asetage vasak ja parem käepide parkimisasendisse ja tera käivituslülitid asendisse OFF (väljas). Istuge istmele ja proovige uuesti.
TR20	Nurgaanduri tõrge	Taaskäivitage toiteallikas.
TR21	Relee tõrge	Taaskäivitage toiteallikas.
TR22	Solenoidklapi tõrge	Kontrollige, et sõiduajami mootori solenoidklapp oleks nõuetekohaselt ühendatud, seejärel taaskäivitage toiteallikas.
TR23	Akupesa (toitehaldusüksuse) ühenduse tõrge	Akupesa ühenduse tõrge Taaskäivitage toiteallikas.
TR24	Akupesa (toitehaldusüksuse) tõrge	Väike/suur tõrge akupesas. Kontrollige ja taaskäivitage toiteallikas.
TR25	CAN-siini taimauti tõrge – vasak sõiduajami kontrolleri	Vasaku sõiduajami kontrolleri ühenduse tõrge. Taaskäivitage toiteallikas.

Eesti keel

Tõrkekood	Kirjeldus	Lahendus
TR26	CAN-siini taimauti tõrge – parem sõiduajami kontroll	Parema sõiduajami kontrolleri ühenduse tõrge. Taaskäivitage toiteallikas.
TR27	CAN-siini taimauti tõrge – vasaku tera kontroll	Vasaku tera kontrolleri ühenduse tõrge. Taaskäivitage toiteallikas.
TR28	CAN-siini taimauti tõrge – keskse tera kontroll	Keskse tera kontrolleri ühenduse tõrge. Taaskäivitage toiteallikas.
TR29	CAN-siini taimauti tõrge – parema tera kontroll	Parema tera kontrolleri ühenduse tõrge. Taaskäivitage toiteallikas.
TR30	Akupesa klappkaane tõrge	Kontrollige, et istme all olev konnektor oleks nõuetekohaselt ühendatud, seejärel taaskäivitage toiteallikas.
TR31	Operaatori kohaloleku lüliti kinnitustõrge	Kontrollige, et istme all olev konnektor oleks nõuetekohaselt ühendatud, seejärel taaskäivitage toiteallikas.
TR32	Tarkvara autentimise viga	Taaskäivitage toiteallikas.
TL1	Mootori positsioneerimise tõrge	Taaskäivitage toiteallikas.
TL2	Sõiduajami mootori seiskumine	Kontrollige, et sõidurattad poleks kinni jäänud, ja taaskäivitage toiteallikas.
TL3	Mootori madala kiiruse kaitse	Taaskäivitage toiteallikas.
TL4	Mootori ülekiiruse kaitse	Taaskäivitage toiteallikas.
TL5	Mootori Halli efekti anduri tõrge	Kontrollige, et sõiduajami kontrolleri Halli efekti konnektor oleks nõuetekohaselt ühendatud ja seejärel taaskäivitage toiteallikas.
TL6	Kontrolleri faasi kadu	Kontrollige, et sõiduajami kontrolleri mootori kaablid oleks nõuetekohaselt ühendatud, seejärel taaskäivitage toiteallikas.
TL7	Metall-oksüüd-pooljuhi väljatransistori avatud ahela tõrge	Kui ilmneb see probleem, võtke lahenduse leidmiseks ühendust edasimüüjaga.
TL8	Kontrolleri alapinge	Pinge on liiga madal. Enne kasutamist laadige akuplokk täis.
TL9	Kontrolleri ülepinge	Pinge on liiga kõrge. Taaskäivitage toiteallikas.
TL10	Aku madal temperatuur	Akupesa ja aku temperatuur on liiga madal. Kasutage seadet sobival temperatuuril ja taaskäivitage toiteallikas.
TL11	Toitehaldusüksuse ülekuumenemine Kõrge aku temperatuur	Akupesa ja aku temperatuur on liiga kõrge. Oodake, kuni aku maha jahtub, ja taaskäivitage seejärel toiteüksus.
TL12	Mootori ülekuumenemine	Mootori temperatuur on liiga kõrge. Oodake, kuni mootor maha jahtub, ja taaskäivitage seejärel toiteallikas.
TL13	Kontrolleri ülekuumenemine	Kontrolleri temperatuur on liiga kõrge. Oodake, kuni kontrolleri maha jahtub, ja taaskäivitage seejärel toiteallikas.
TL14	Tarkvara ülekoormus	Koormus on liiga suur. Taaskäivitage toiteallikas.
TL15	Riistvara ülekoormus	Koormus on liiga suur. Taaskäivitage toiteallikas.
TL16	Kiirusregulaatori tõrge	Kontrollige, et käepideme kiirusregulaator oleks nõuetekohaselt ühendatud, seejärel taaskäivitage toiteallikas.
TL17	Kontrolleri laadimiseelne tõrge	Taaskäivitage toiteallikas.
TL18	Piduri tõrge	Taaskäivitage toiteallikas.

Eesti keel

Tõrkekood	Kirjeldus	Lahendus
TL19	Toimingute järjekorra tõrge	Asetage vasak ja parem käepide parkimisasendisse ja tera käivituslülitil asendisse OFF (väljas). Istuge istmele ja proovige uuesti.
TL20	Nurgaanduri tõrge	Taaskäivitage toiteallikas.
TL21	Relee tõrge	Taaskäivitage toiteallikas.
TL22	Solenoidklapi tõrge	Kontrollige, et sõiduajami mootori solenoidklapp oleks nõuetekohaselt ühendatud, seejärel taaskäivitage toiteallikas.
TL23	Akupesa (toitehaldusüksuse) ühenduse tõrge	Akupesa ühenduse tõrge Taaskäivitage toiteallikas.
TL24	Akupesa luuk	Väike/suur tõrge akupesas. Kontrollige ja taaskäivitage toiteallikas.
TL25	CAN-siini taimauti tõrge – vasak sõiduajami kontrollid	Vasaku sõiduajami kontrolleri ühenduse tõrge. Taaskäivitage toiteallikas.
TL26	CAN-siini taimauti tõrge – parem sõiduajami kontrollid	Parema sõiduajami kontrolleri ühenduse tõrge. Taaskäivitage toiteallikas.
TL27	CAN-siini taimauti tõrge – vasaku tera kontrollid	Vasaku tera kontrolleri ühenduse tõrge. Taaskäivitage toiteallikas.
TL28	CAN-siini taimauti tõrge – keske tera kontrollid	Keske tera kontrolleri ühenduse tõrge. Taaskäivitage toiteallikas.
TL29	CAN-siini taimauti tõrge – parema tera kontrollid	Parema tera kontrolleri ühenduse tõrge. Taaskäivitage toiteallikas.
TL30	Akupesa klappkaane tõrge	Kontrollige, et istme all olev konnektor oleks nõuetekohaselt ühendatud, seejärel taaskäivitage toiteallikas.
TL31	Istme lüliti kinnitustõrge	Kontrollige, et istme all olev konnektor oleks nõuetekohaselt ühendatud, seejärel taaskäivitage toiteallikas.
TL32	Tarkvara autentimise viga	Taaskäivitage toiteallikas.
ML1	Mootori positsioneerimise tõrge	Taaskäivitage toiteallikas.
ML2	Tera mootor seiskunud	Kontrollige niitmiskoormust ja viige tera käivituslülitil tagasi algsele asendisse.
ML3	Mootori madala kiiruse kaitse	Taaskäivitage toiteallikas.
ML4	Mootori ülekiiruse kaitse	Taaskäivitage toiteallikas.
ML5	Mootori Halli efekti anduri tõrge	Kontrollige, et tera kontrolleri Halli efekti konnektor oleks nõuetekohaselt ühendatud ja seejärel taaskäivitage toiteallikas.
ML6	Kontrolleri faasi kadu	Kontrollige, et sõiduajami kontrolleri mootori kaablid oleks nõuetekohaselt ühendatud, seejärel taaskäivitage toiteallikas.
ML7	Metall-oksüüd-pooljuhi väljatransistori avatud ahela tõrge	Kui ilmneb see probleem, võtke lahenduse leidmiseks ühendust edasimüüjaga.
ML8	Kontrolleri alapinge	Pinge on liiga madal. Enne kasutamist laadige akuplokk täis.
ML9	Kontrolleri ülepinge	Pinge on liiga kõrge. Taaskäivitage toiteallikas.
ML10	Aku madal temperatuur	Akupesa ja aku temperatuur on liiga madal. Kasutage seadet sobival temperatuuril ja taaskäivitage toiteallikas.
ML11	Toitehaldusüksuse ülekuumemine Kõrge aku temperatuur	Akupesa ja aku temperatuur on liiga kõrge. Oodake, kuni aku maha jahtub, ja taaskäivitage seejärel toiteüksus.

ET

Eesti keel

Tõrkekood	Kirjeldus	Lahendus
ML12	Mootori ülekuumenemine	Mootori temperatuur on liiga kõrge. Oodake, kuni mootor maha jahtub, ja taaskäivitage seejärel toiteallikas.
ML13	Kontrolleri ülekuumenemine	Kontrolleri temperatuur on liiga kõrge. Oodake, kuni kontroller maha jahtub, ja taaskäivitage seejärel toiteüksus.
ML14	Tarkvara ülekoormus	Koormus on liiga suur. Taaskäivitage toiteallikas.
ML15	Riistvara ülekoormus	Koormus on liiga suur. Taaskäivitage toiteallikas.
ML16	Kiirusregulaatori tõrge	Kontrollige, et käepideme kiirusregulaator oleks nõuetekohaselt ühendatud, seejärel taaskäivitage toiteallikas.
ML17	Kontrolleri laadimiseelne tõrge	Taaskäivitage toiteallikas.
ML18	Piduri tõrge	Taaskäivitage toiteallikas.
ML19	Toimingute järjekorra tõrge	Asetage vasak ja parem käepide parkimisasendisse ja tera käivituslüli asendisse OFF (väljas). Istuge istmele ja proovige uuesti.
ML20	Nurgaanduri tõrge	Taaskäivitage toiteallikas.
ML21	Relee tõrge	Taaskäivitage toiteallikas.
ML22	Solenoidklapi tõrge	Kontrollige, et mootori solenoidklapp oleks nõuetekohaselt ühendatud, seejärel taaskäivitage toiteallikas.
ML23	Akupesa (toitehaldusüksuse) ühenduse tõrge	Akupesa ühenduse tõrge Taaskäivitage toiteallikas.
ML24	Akupesa luuk	Väike/suur tõrge akupesas. Kontrollige ja taaskäivitage toiteallikas.
ML25	CAN-siini taimauti tõrge – vasak sõiduajami kontrollid	Vasaku sõiduajami kontrolleri ühenduse tõrge. Taaskäivitage toiteallikas.
ML26	CAN-siini taimauti tõrge – parem sõiduajami kontrollid	Parema sõiduajami kontrolleri ühenduse tõrge. Taaskäivitage toiteallikas.
ML27	CAN-siini taimauti tõrge – vasaku tera kontrollid	Vasaku tera kontrolleri ühenduse tõrge. Taaskäivitage toiteallikas.
ML28	CAN-siini taimauti tõrge – keskse tera kontrollid	Keskse tera kontrolleri ühenduse tõrge. Taaskäivitage toiteallikas.
ML29	CAN-siini taimauti tõrge – parema tera kontrollid	Parema tera kontrolleri ühenduse tõrge. Taaskäivitage toiteallikas.
ML30	Akupesa klappkaane tõrge	Kontrollige, et istme all olev konnektor oleks nõuetekohaselt ühendatud, seejärel taaskäivitage toiteallikas.
ML31	Tera signaali kinnitamine ebaõnnestus	Kontrollige, et terade käivituslüli oleks nõuetekohaselt ühendatud ja seejärel viige lüli tagasi algseesse asendisse.
ML32	Tarkvara autentimise viga	Taaskäivitage toiteallikas.
MR1	Mootori positsioneerimise tõrge	Taaskäivitage toiteallikas.
MR2	Tera mootor seiskunud	Kontrollige niitmiskoormust ja viige tera käivituslüli tagasi algseesse asendisse.
MR3	Mootori madala kiiruse kaitse	Taaskäivitage toiteallikas.
MR4	Mootori ülekiiruse kaitse	Taaskäivitage toiteallikas.
MR5	Mootori Halli efekti anduri tõrge	Kontrollige, et tera kontrolleri Halli efekti konnektor oleks nõuetekohaselt ühendatud ja seejärel taaskäivitage toiteallikas.

Eesti keel

Tõrkekood	Kirjeldus	Lahendus
MR6	Kontrolleri faasi kadu	Kontrollige, et sõiduajami kontrolleri mootori kaablid oleks nõuetekohaselt ühendatud, seejärel taaskäivitage toiteallikas.
MR7	Metall-oksüüd-pooljuhi väljatransistori avatud ahela tõrge	Kui ilmneb see probleem, võtke lahenduse leidmiseks ühendust edasimüüjaga.
MR8	Kontrolleri alapinge	Pinge on liiga madal. Enne kasutamist laadige akuplokk täis.
MR9	Kontrolleri ülepinge	Pinge on liiga kõrge. Taaskäivitage toiteallikas.
MR10	Aku madal temperatuur	Akupesa ja aku temperatuur on liiga madal. Kasutage seadet sobival temperatuuril ja taaskäivitage toiteallikas.
MR11	Toitehaldusüksuse ülekuumenemine Kõrge aku temperatuur	Akupesa ja aku temperatuur on liiga kõrge. Oodake, kuni aku maha jahtub, ja taaskäivitage seejärel toiteüksus.
MR12	Mootori ülekuumenemine	Mootori temperatuur on liiga kõrge. Oodake, kuni mootor maha jahtub, ja taaskäivitage seejärel toiteallikas.
MR13	Kontrolleri ülekuumenemine	Kontrolleri temperatuur on liiga kõrge. Oodake, kuni kontroller maha jahtub, ja taaskäivitage seejärel toiteallikas.
MR14	Tarkvara ülekoormus	Koormus on liiga suur. Taaskäivitage toiteallikas.
MR15	Riistvara ülekoormus	Koormus on liiga suur. Taaskäivitage toiteallikas.
MR16	Kiirusregulaatori tõrge	Kontrollige, et käepideme kiirusregulaator oleks nõuetekohaselt ühendatud, seejärel taaskäivitage toiteallikas.
MR17	Kontrolleri laadimiseelne tõrge	Taaskäivitage toiteallikas.
MR18	Piduri tõrge	Taaskäivitage toiteallikas.
MR19	Toimingute järjekorra tõrge	Asetage vasak ja parem käepide parkimisasendisse ja tera käivituslülitit asendisse OFF (väljas). Istuge istmele ja proovige uuesti.
MR20	Nurgaanduri tõrge	Taaskäivitage toiteallikas.
MR21	Relee tõrge	Taaskäivitage toiteallikas.
MR22	Solenoidklapi tõrge	Kontrollige, et mootori solenoidklapp oleks nõuetekohaselt ühendatud, seejärel taaskäivitage toiteallikas.
MR23	Akupesa (toitehaldusüksuse) ühenduse tõrge	Akupesa ühenduse tõrge Taaskäivitage toiteallikas.
MR24	Akupesa luuk	Väike/suur tõrge akupesas. Kontrollige ja taaskäivitage toiteallikas.
MR25	CAN-siini taimauti tõrge – vasak sõiduajami kontroller	Vasaku sõiduajami kontrolleri ühenduse tõrge. Taaskäivitage toiteallikas.
MR26	CAN-siini taimauti tõrge – parem sõiduajami kontroller	Parema sõiduajami kontrolleri ühenduse tõrge. Taaskäivitage toiteallikas.
MR27	CAN-siini taimauti tõrge – vasaku tera kontroller	Vasaku tera kontrolleri ühenduse tõrge. Taaskäivitage toiteallikas.
MR28	CAN-siini taimauti tõrge – keskse tera kontroller	Keskse tera kontrolleri ühenduse tõrge. Taaskäivitage toiteallikas.
MR29	CAN-siini taimauti tõrge – parema tera kontroller	Parema tera kontrolleri ühenduse tõrge. Taaskäivitage toiteallikas.
MR30	Akupesa klappkaane tõrge	Kontrollige, et istme all olev konnektor oleks nõuetekohaselt ühendatud, seejärel taaskäivitage toiteallikas.

Eesti keel

Tõrkekood	Kirjeldus	Lahendus
MR31	Tera signaali kinnitamine ebaõnnes-	Kontrollige, et terade käivituslüüti oleks nõuetekohaselt ühendatud ja seejärel viige lüliti tagasi algseesse asendisse.
MR32	Tarkvara autentimise viga	Taaskäivitage toiteallikas.
PMU10	Tühijooks akuplokis (toitehaldusüksuses)	Ühendamata akuplokk akupesas; võib mõjutada masina jõudlust.
PMU11	Toitehaldusüksuse väike tõrge	Akupesa väike tõrge ei võimaldanud terasüsteemil käivituda. Oodake, kuni süsteem taastub ja seejärel lähtestage tera käivituslüüti.
PMU12	Toitehaldusüksuse kriitiline tõrge	Akupesa oluline tõrge ei võimaldanud sõiduajamil ja terasüsteemidel käivituda. Taaskäivitage toiteallikas ja proovige uuesti.
PMU13	Toitehaldusüksuse tõrge, akuplokk ei ole saadaval	Kontrollige, et kasutaksite õiget akuplokki, seejärel taaskäivitage toiteallikas.

7 HOOLDUS

7.1 NIIDUKI TERADE HOOLDUS

Kontrollige niiduki terasid iga päev. Need on tõhusa toitekasutuse ja hästi hooldatud muru võtmeteguriks. Hoidke need teravad – nüri tera pigem rebestab kui lõikab rohuliblesid, nii et rohuliblede ülaseravad on sakilised ja muutuvad paari tunni jooksul pruuniks. Lisaks vajab nüri tera rohkem toidet. Vahetage kõik väändunud, mõradega või katkised terad välja.

▲ HOIATUS

Ärge kunagi proovige väändunud tera kuumutamise abil sirgestada ega mõranenud või purunenud tera kinni keevitada, kuna need võivad puruneda ja tõsiseid kehavigastusi põhjustada. Vahetage kulunud või kahjustatud terad välja.

▲ HOIATUS

Ärge kunagi töötage teradega, kui süütevõti on süütelukus. Keerake süütevõti väljalülitatud asendisse (OFF), eemaldage akuplokid seadmest. Kui peate niiduki all töötama, blokeerige niiduki rattad. Kandke terade käsitlemise ajal kindaid. Kontrollige terasid kahjustuste suhtes alati, kui niiduk tabab kivi, oksa või muid võõrkehi!

▲ OHTLIK

Kiirteritust võib teha viiliga. Kontrollige teritamise järel, et terad oleks tasakaalus. Kaubanduslikud tasakaalustusvahendid on saadaval enamikes rauakaupade poodides, samuti võib tasakaalustada, asetades tera ümberpööratud naelatornile või 12,7 mm (1/2 tolli) poldile. Tera ei tohi kalduda ega viltu vajuda. Tera aeglaselt keerutamise ajal ei tohi see laperdada. Kui tera on tasakaalust väljas, viige see enne uuesti paigaldamist tasakaalu. Asetage terad tasasele pinnale ja kontrollige neid moonutuste suhtes. Asendage kõik moonunud terad.

▲ HOIATUS

- Õigesti lõikamiseks peab tera kumer osa osutama ülespoole lõikekorpuse sisemise osa suunas.
- Terade paigaldamisel pöörake neid pärast paigaldamist, tagamaks, et terade otsad ei puutuks vastu üksteist ega niiduki külgi.
- Kui polti õigesti ei pingutata, võib tera lahti tulla, mis võib põhjustada tõsiseid kehavigastusi.
- Niiduki terad on teravad ja võivad sisse lõigata. Kandke nende hooldamisel kindaid ja olge eriti ettevaatlik.

7.1.1 TERA VAHETAMINE

Vt joonist 17

1. Seisake mootor, eemaldage süütevõti ja rakendage seisupidur.
2. Tõstke lõikekorpus suurimale võimalikule kõrgusele, võimaldamaks ligipääsu teradele.

Eesti keel

i MÄRKUS

Vajadusel tõstke niidukit, pannes selle tõstukile või kasutades tungrauda ja aluspukke, või eemaldage lõikekorpus eelmises jaotises kirjeldatud viisil, et teradele ligi pääseda.

▲ HOIATUS

Kui tõstate teradele ligi pääsemiseks niidukit, veenduge enne jätkamist, et niiduk oleks nõuetekohaselt kinnitatud ja seisupidur rakendatud. Kui niiduk pole nõuetekohaselt kinnitatud, võib see kukkuda ja põhjustada surma või tõsiseid kehavigastusi.

3. Tera liikumise ennetamiseks kiiluge tera ja niiduki lõikekorpuse vahele puutükk.
4. Lõdvendage tera kinnitusmutter, keerates seda vastupäeva (niiduki altsuunast vaadatuna), kasutades 16 mm mutrivõtit või padrunvõtit (ei kuulu komplekti).
5. Eemaldage tera mutter, vaherõngas, tera isolaator ja tera.
6. Keerake tera mutter võllile ja pingutage sõrmedega.
7. Pingutage tera mutrit päripäeva, kasutades momendimõõtevõtit (ei kuulu komplekti), tagamaks, et polt oleks nõuetekohaselt pingutatud. Tera mutri soovituslik pöördemoment on 90 N m ~ 100 N m (66~74 ft lbs).

▲ HOIATUS

Veenduge, et tera oleks nõuetekohaselt omal kohal ja tera mutter oleks ülal näidatud pöördemomendini pingutatud. Kui tera pole nõuetekohaselt kinnitatud, võib see lahti tulla ja põhjustada võimalikke tõsiseid kehavigastusi.

8. Vajadusel korrake teise teraga.

i MÄRKUS

Veenduge, et kõik osad pandaks tagasi täpselt vastupidises järjekorras, milles need eemaldatakse.

7.2 REHVID

Ühtlaseks niitmiseks on oluline, et kõikides rehvides oleks õige rehvirõhk. Soovituslikud rehvirõhud on toodud alljärgnevas tabelis.

i MÄRKUS

Rehvirõhku tuleks mõõta ja reguleerida üksnes siis, kui rehvid on külmad.

Veorattad	8 40 PSI
Eesmised rullikrattad	37 40 PSI

i MÄRKUS

Kontrollige rehve iga päev Kahjustuste korral vahetage need kohe välja.

▲ HOIATUS

Kontrollige rehvirõhku rehvide täispumpamise ajal hoolikalt. Liiga palju õhku rehvis võib põhjustada rehvi lõhkemist ja tuua kaasa tõsiseid kehavigastused.

7.3 MÄÄRIMINE

Vt joonist 19

Lisage enne töö alustamist õli.

Õli tüüp	SAE85W-140
Õli kogus	180 ml

Võtke õli asendamiseks ettevõtte Cramer edasimüüjaga ühendust.

Eesti keel

i MÄRKUS

Asendage käigukasti õli pärast esimest 50 töötundi ja pärast seda iga 200 töötundi järel.

7.4 PINGUTUSMOMENDI VÄÄRTUSED

▲ HOIATUS

Eriti tähelepanelik tuleb olla veorataste mutrite ja terade võlli pollide pingutamisel. Kui neid õigesti ei pingutata, võib ratas või tera lahti tulla, mis võib põhjustada tõsiseid kahjustusi või kehavigastusi.

Pöördemomentide väärtused on toodud alljärgnevalt.

Osa	Ft lbs.	Nm
Rattamutrid	89	120
Tera võlli polt	66	90

Ainult rattamutrid:neid on soovituslik kontrollida pärast esimest 2 töötundi, iga 100 töötundi järel ja pärast parandamiseks või asendamiseks eemaldamist.

7.5 AKUPLOKI HOOLDUS

Teie ettevõtte Cramer niiduk saab toidet akuplokilt, millel on nõuetekohase hoolduse korral mitmeaastane eluiga. Akuploki nõuetekohaseks hooldamiseks järgige alltoodud juhiseid.

- Laadige akud pärast iga kasutuskorda alati täis.
- Alati, kui akuplokk on täiesti tühjaks saanud ja välja välja lülitatud, on parim aku võimalikult kiiresti uuesti täis laadida. Akuploki ülelaadimine tähendab, et aku eluiga lüheneb ja aku võib jäädavalt kahjustada saada. Täiesti täis laadimine pole vajalik, ka akuploki laadimine kõigest 5–10 minuti pikkune laadimine tuleb kasuks. Parim on see uuesti täis laadida 24 tunni jooksul.
- Vältige murulõikmete, mustuse ja prahi kogunemist akulemmide ümber ja aku lähedale.
- Laadige akusid siseruumide hästi ventileeritud ja kuivas kohas sädemetest ja leekidest eemal. Ärge kunagi laske neil kokku puutuda vihma, auru ega vedelikega.
- Laadige ainult liitiumakusid, mille tarnijaks on ettevõtte Cramer.
- Ärge puudutage laaduri (kontaktikud) ega väljundkonnektori isoleerimata osasid.
- Ärge kasutage defektsete juhtmete ega traatidega. Asendage defektsed juhtmed ja traadid viivitamatult.
- Pikaajaliseks hoiustamiseks veenduge, et hoiuruumi temperatuur oleks ühekuulisel hoiustamisel vahemikus -20 °C kuni 45 °C ja kahe kuni kaheteist kuu pikkusel hoiustamisel vahemikus 0 °C kuni 35 °C.
- Akuploki töökeskkonna temperatuur peab tühjaks laadimisel olema vahemikus -20 °C kuni 55 °C ja laadimisel 0 °C ~ 55 °C.

7.6 AKUPESA FILTRI HOOLDUS

Asendage akupesa filter iga 200 töötundi järel.

7.7 HOOLDUS

i OLULINE

Enne reguleerimist, puhastamist või parandamist oodake, kuni kogu liikumine lakkab. Elektrienergiat nõudvaid parandus- ja hooldustoiminguid tohivad teha üksnes vastava koolituse saanud hooldustehnikud. Lugege ja järgige kasutusjuhendi alguses toodud ohutusjuhiseid.

i OLULINE

Elektrienergiat nõudvaid parandus- ja hooldustoiminguid tohivad teha üksnes vastava koolituse saanud hooldustehnikud.

- Parkige niiduk tasasele pinnale. Veenduge, et juhthoovad oleks neutraalasendis ja käitusvõlli lüüti väljalülitatud asendis (OFF). Tõstke lõikekorpus, keerake süütevõti väljalülitatud asendisse (OFF), eemaldage süütevõti süütelukust ja akuplokid istme all olevast akupesast.

- Kõiki hooldustoiminguid, mis nõuavad kaitsekatete eemaldamist, peavad tegema koolitatud hooldustehnikud.
- Kasutage niidukialuse puhastamiseks keppi või sarnast vahendit, veendudes, et ükski teie kehaosa (iseäranis käsivarred ja labakäed) ei oleks niiduki all.
- Hoidke oma seade puhas ja eemaldage kogu kogunenud praht ja murulõikmed.
- Hoidke akupesa, lõikekorpus ja operaatori istme ümbrus kogunenud prahist, murulõikmetest ja muust mustusest puhas.
- Puhastage akupesa, sõidumootori kamber, niiduki lõikekorpus, iste jm kogu mustusest ja prahist. Kasutage puhastamiseks ainult suruõhku. ÄRGE kasutage vett, lahusteid, tugevatoimelisi ega abrasiivseid puhastusvahendeid.
- Kandke akude hooldamise, terade teritamise ja kogunenud mustuse eemaldamise ajal alati asjakohaseid silmakaitsevahendeid. Ärge kunagi proovige reguleerida ega parandada niiduki ajamisüsteemi, lõikekorpus ega ühtegi lisaseadet, kui veoajamisüsteem parajasti töötab. Elektrienergiat nõudvaid parandus- ja hooldustoiminguid tohivad teha üksnes vastava koolituse saanud hooldustehnikud.
- Ärge kunagi tehke tööd seadme või lisaseadme all, kui see just ei seisa ohutult aluspukkidel. Veenduge, et seade seisaks kindlalt, kui see on tõstetud ja aluspukkidele asetatud.
- Aluspukid ei tohi võimaldada seadmel liikuda, kui veoajamisüsteem töötab ja veorattad pöörlevad. Kasutage ainult sertifitseeritud aluspukke. Kasutage seadme üleval hoidmiseks ainult sobivaid aluspukke, mille minimaalne kantava raskuse nimiväärtus on 907,2 kg (2000 naela). Kasutage ainult paaridena. Järgige aluspukkidega kaasas olevat kasutusjuhendit.
- Ärge puutuge seadme kuumasid osasid.
- Hoidke mutrid ja poldid pingutatuna, eriti need, mis terasid kinnitavad. Hoidke seade heas töökorras.
- Ärge kunagi rikkuge turvaseadmeid. Kontrollige korrapäraselt nende nõuetekohast toimimist.
- Enne väljalaskesuunaja ummistusest puhastamist keerake süütevõti väljalülitatud asendisse (OFF).
- Ärge kunagi puhastage väljalaskesuunajat, kui niiduk töötab. Keerake võti väljalülitatud asendisse (OFF) ja veenduge, et terad oleks peatunud, enne kui puhama hakkate. Kasutage ummistunud väljalaskeala puhastamiseks keppi. Ärge kunagi kasutage oma kätt!
- Enne väljalaske ummistusest puhastamist peatage üksus ja oodake, kuni terad seiskuvad. Murukogumissüsteemi osad võivad kuluda, kahjustuda ja nende seisukord võib halveneda, mistõttu liikuvad osad võivad paljastuda või objektid võivad lendu paiskuda. Kontrollige osasid sageli ja asendage need vajadusel tootja soovitatud osadega.
- Olge lõikekorpuse all tõstades ettevaatlik, kuna niiduki terad on väga teravad. Kandke nende hooldamisel kindaid ja olge eriti ettevaatlik.
- Kasutage ainult ettevõtte Cramer niidukite originaalosi, tagamaks, et järgitaks algupäraseid standardeid.
- Üksuse transportimisel eemaldage alati akud. Hoidke üksus murulõikmetest, lehtedest ja muust prahist puhas.
- Kontrollige sageli pidurite toimimist. Reguleerige ja hooldage neid vastavalt vajadusele.
- Hooldage ohutus- ja juhiste silte ja vahetage need vajadusel välja.
- Laske oma muruniidukit parandada ainult kvalifitseeritud spetsialistidel, kes kasutavad originaalvaruosi. See tagab muruniiduki pideva ohutu töö.
- Kasutage seadme laadimiseks ainult tootja poolt heaks kiidetud laadimiseadet. Ühildumatu laaduri kasutamine võib kaasa tuua tulekahju.

8 TRANSPORT JA HOIUSTAMINE

8.1 TRANSPORT

▲ HOIATUS

Olge seadme treilerile ja sealt maha laadimisel eriti ettevaatlik. Vajutage aeglase kiirusega sõitmise nuppu ja liigutage ettevaatlikult sõidujoobasid vastavalt sellele, kuidas kiiruse kontrollimiseks vaja on. Peale laadimisel alati tagurdage treilerile. Kui niidukit treilerile või sealt maha laadite, ärge ületage suurimat soovitatud töönurka 15°. Kui neid juhiseid ei järgita, võite kaotada seadme üle kontrolli, mis võib põhjustada surma, tõsiseid kehavigastusi või varakahju.

▲ HOIATUS

Olge niiduki treilerile ja sealt maha laadimisel ettevaatlik. Veenduge, et lõikekorpus oleks võimalikult kõrgele tõstetud, et see rambi taha kinni ei jääks. Niiduki rattad võivad rambi või treileri pealt maha veereda ja põhjustada niiduki pöörmist või kummuliminekut ning tuua kaasa muljumisohu, mis võib lõppeda surma või tõsise kehavigastusega.

1. Parkige niiduk tasasele pinnale.
2. Tõstke lõikekorpus kõrgeimasse võimalikku asendisse.
3. Asetage ramp õigele kohale ja kinnitage see treileri külge, järgides tootja juhiseid.

i MÄRKUS

Soovitame kasutada ühte täislaiuses laadimisrampi, mis on vähemalt 30 cm laiem kui niiduk, minimeerimaks ohtu, et niiduki rattad üle rambi ääre lähevad.

4. Tagurdage niidukiga aeglaselt rambile ja edasi treilerile.
5. Langetage lõikekorpus täiesti alla.
6. Rakendage seisupidur.
7. Lülitage niiduk välja ja eemaldage süütevõti.
8. Kinnitage niiduk vastavalt vajadusele, kasutades rihmu või kaableid, et selle liikumist vältida.

▲ HOIATUS

Vältimaks juhuslikku käivitumist või liikumist, mis võib põhjustada tõsiseid kehavigastusi, eemaldage niiduki transportimisel alati süütevõti ja rakendage seisupidur.

8.2 PUHASTAMINE JA HOIUSTAMINE

8.2.1 SEADME PUHASTAMINE

- Eemaldage mootorikatte pealt ja selle ümbrusest kogu sinna kogunenud rohi ja lehed (ärge kasutage mootori loputamiseks survega veejuga).
- Pühkige niiduk aeg-ajalt kuiva lapiga puhtaks.
- Kui kasutamise ajal koguneb niiduki alaküljele mustust, seisake mootor, lülitage niiduk välja ja kraapige see sobiva töövahendiga puhtaks.

8.2.2 NIIDUKI LÕIKEKORPUSE PUHASTAMINE

Vt joonist 18

- Pange seisupidur parkimisasendi pesadesse.
- Reguleerige niiduki lõikekorpus madalaimasse võimalikku asendisse.
- Kinnitage kaasas olev pesuava kiirliitmik aiakastmisvooliku külge.
- Kinnitage kiirliitmikuga aiakastmisvoolik niiduki lõikekorpuse pesuava külge. Pesuava asub niiduki lõikekorpuse vasakul küljel.
- Keerake vesi lahti.
- Tõmmake käitusvõlli lüliti, et niiduki lõiketerad käivitada, ja reguleerige terade kiirus võimalikult suureks.
- Laske veel umbes ühe minuti jooksul lõikekorpuse alla voolata.
- Seisake niiduki terad, lükates käitusvõlli lüliti alla.
- Keerake vesi kinni ja eemaldage aiakastmisvoolik ja kiirliitmik pesuava küljest.
- Eemaldage kiirliitmik aiakastmisvooliku küljest ja hoiustage edaspidiseks kasutamiseks.
- Lülitage niiduk täiesti välja.

8.2.3 SEADME HOIUSTAMINE

Seadme hoiustamiseks ettevalmistamiseks tuleks järgida alltoodud juhiseid.

- Puhastage seade eelmises jaotises kirjeldatud viisil.
- Kontrollige terasid ja vajadusel teritage neid või asendage need (vaadake hooldust käsitlevat jaotist).
- Ärge hoiustage seadet söövitavate materjalide kõrval (nt väetis või kivisool).

- Hoiustage seadet lastele kättesaamatus kohas.
- Ärge katke seadet ühe suure killega. Kilekatted hoiavad niiskust masina ümber ning see põhjustab roostetamist.
- Kontrollige põhjalikult, kas mõni kulunud või kahjustunud osa vajab asendamist, ja tellige need edasimüüjalt.
- Masina täielikuks määrimiseks võtke ühendust teeninduskeskusega.
- Laadige akud täiesti täis ja hooldage neid.
- Ärge tühjendage rehve õhust.
- Seadet tuleb hoiustada hästi ventileeritavas, puhtas ja kuivas kohas, kuna akulaadurit ei tohi märjas keskkonnas kasutada.
 - Hoidke akud alati täislaetuna. Akusid on eriti oluline kahjustuste eest hoida, kui temperatuur on allpool 0 °C.
 - Ühendage laaduriadapter laadimispesa ja akudega, järgides elektrisüsteemi jaotise laadimisadapterit käsitlevas osas toodud juhiseid.
 - Ühendage laadur sobivasse elektrivõrku. Rohkem üksikasju laaduri ja akude laadimise kohta leiate elektrisüsteemi jaotise akulaadurit, akude laadimist ja laadimissoovitusi käsitlevatest osadest.
 - Aku eluea maksimeerimiseks on soovituslik akud varsti pärast iga kasutuskorda täiesti täis laadida.

8.2.4 KASUTAMISEKS ETTEVALMISTAMINE PÄRAST HOIUSTAMIST

Et niidukit pärast hoiustamist kasutada, tuleks järgida alltoodud juhiseid.

- Laadige akud täiesti täis.
- Kontrollige rehvirõhku ja pumbake need vajadusel täis.
- Sõitke niidukiga veidi ja kontrollige kõiki süsteeme ja osasid, et tagada nende õige toimimine.

9 TÖRKEOTSING

PROBLEEM	VÕIMALIK PÕHJUS	LAHENDUS
Sõiduk ei liigu.	Akupesasse ei ole akuplokki sisestatud või see pole ettevõtte Cramer määratud akuplokk.	Sõiduki korrapärase töö tagamiseks peab akupesasse olema sisestatud vähemalt üks ettevõtte Cramer määratud akuplokk.
	Akuplokk ei ole laetud.	Kontrollige akuploki laetust.
	Juhthoovad on seisupiduri asendis.	Veenduge, et vasak ja parem juhthoob ei oleks seisupiduri asendis.
	Operaatoriistmel ei istu kedagi või operaatori kohalolu lüliti ei ole suletud.	Veenduge, et juht istuks istmel.
	Vasak ja parem parkimislüliti ei ole algses asendis, kui toide on sisse lülitatud.	Seadke juhthoovad seisupiduri asendisse ja taaskäivit-age masin. Kui seda ei saa ikka käivitada, võtke ühendust ettevõtte Cramer müügiärgse osakonnaga.
	Akupesaga ei ole töös.	Keerake süütevõti väljalülitatud asendisse (OFF) ja oodake vähemalt viis sekundit, enne kui seadme taaskäivitate.
Äkiline seiskumine sõidu ajal.	Aku ei ole laetud.	Kogu sõiduki korrapärase töö tagamiseks tuleb akupesasse sisestada vähemalt üks ettevõtte Cramer akuplokk ja tagada, et akuplokk oleks laetud.
	Ebatasased ja künklikud teed on põhjustanud operaatori kohalolu lüliti lahtiühendamise.	Seadke juhthoovad seisupiduri asendisse ja taaskäivit-age masin.
	Esineb vasaku/parema kiirendi rike.	Võtke ühendust ettevõtte Cramer müügiärgse hoolduse osakonnaga.
	Sõiduajami kontrolleri töö nurjumine.	Võtke ühendust ettevõtte Cramer müügiärgse hoolduse osakonnaga.
Tera ei hakka pärast käitusvõlli lüliti tõmbamist tööle.	Akupesasse ei ole sisestatud ettevõtte Cramer määratud akuplokki.	Kogu sõiduki korrapärase töö tagamiseks tuleb akupesasse sisestada vähemalt üks ettevõtte Cramer akuplokk ja tagada, et akuplokk oleks laetud.
	Aku laetustase on alla 5%.	Kontrollige akuploki laetust ja kui laetustase on madal, laadige aku.
	Operaatori kohalolu lüliti ei ole suletud.	Veenduge, et juht istuks istmel.
	Terade lüliti (käitusvõlli) ei ole enne käivitamist algasendis.	Vajutage käitusvõlli ja tõmmake see uuesti üles.
	Tera mootori blokeering või muu funktsionaalne kaitse.	Kontrollige tera sujuva pöörlemise tagamiseks, et tera ja mootori vahelises ühenduskohas poleks umbrohtu ega muid võrkehasid. Soovituslik on enne lõikekorpuse vajalikule käigule seadistamist lõikekorpus üles tõsta ja tera käivitada.
	Sõiduajami kontrolleri tõrgub.	Kontrollige kuvaril kuvatavat tõrkekoodi.
Tera peatub muru niitmise ajal.	Terade kontrolleri tõrgub.	Kontrollige kuvaril kuvatavat tõrkekoodi.
	Tera mootori ülekoormus.	Puhastage lõikekorpuse sisemus, veenduge, et terad pöörleksid tavapäraselt, vajutage käitusvõlli, taaskäivitage seade ja vähendage terade koormust kas lõikekorpuse kõrgust suurendades või liikumiskiirust vähendades.

Eesti keel

PROBLEEM	VÕIMALIK PÕHJUS	LAHENDUS
	Akuploki temperatuur on liiga kõrge.	Ärge kasutage vahetult pärast laadimise lõppemist, vastasel juhul võib see käivitada akuploki temperatuurikaitsetörke.
	Aku laetustase on alla 5%.	Akuploki laetustasu on madal, laadige aku.
	Tera saab löögi võõrkehalt, mis põhjustab selle äkilise peatumise.	Pöörake süütevõti asendisse OFF (väljas) ja oodake enne masina taaskäivitamist rohkem kui 5 sekundit.
	Sõidujami kontrollid tõrgub.	Kontrollige kuvaril kuvatavat tõrkekoodi.
Niiduk lõikab muru ebaühtlaselt ja kõrgus on väga erinev.	Tera on nüri.	Teritage tera vastavalt juhendile.
	Tera on väändunud.	Asendage väändunud tera. Asendamisel järgige kasutusjuhendis toodud juhiseid ja kandke kaitsevahendeid.
	Lõikekorpus ei ole tasapinnaline.	Tasakaalustage lõikekorpus vastavalt juhistele, tagamaks, et vasak ja parem külg oleksid samal kõrgusel.
Tegelik niitmiskõrgus ei vasta valitud märgitud niitmiskõrgusele.	Lõikekorpuse kinnituspoldid on lödavad.	Reguleerige lõikekorpuse kinnituspoldid, tagamaks, et see oleks kindlalt paigaldatud. Märkus: lõikekorpus tuleb pärast paigalduspoltide reguleerimist uuesti tasakaalustada.
	Lõikekorpus on oluliselt kulunud või kahjustunud.	Asendage uue lõikekorpusega.
Libled tavatu rebestamine.	Muru on liiga märg.	Kontrollige enne niitmist muru olukorda. Kui muru on liiga märg, oodake, kuni tuul või päike selle kuivatab; oodake enne lõikamist kaste kadumist.
	Niiduk on seatud korraga liiga suurt kogust muru lõikama.	Kui muru on liiga tihe ja kõrge, tõstke lõikekorpus ja vältige kõrge tiheda rohu lõikamist nii palju, kui võimalik.
Seadme liigne vibratsioon.	Terad on lahti.	Teritage tera vastavalt juhendil toodud viisile.
	Terad on väändunud.	Asendage väändunud tera. Pöörake tähelepanu tera õigele paigaldamisele, järgides kasutusjuhendis toodud juhiseid, ja kandke kaitsekindaid.
	Ebaühtlane lõikekorpus.	Tasakaalustage lõikekorpus vastavalt juhistele, tagamaks, et vasak ja parem külg oleksid samal kõrgusel.
	Lahtine lõikekorpus.	Lukustage lõikekorpuse kinnitatud poldid.
	Niiduk on seatud korraga liiga suurt kogust muru lõikama.	Kui muru on liiga tihe ja kõrge, tõstke lõikekorpus, püüdes kõrge tiheda rohu lõikamist vältida.
Maapinnale jääb pärast niitmist rohuliblesid või prahti.	Niiduk on seatud korraga liiga suurt kogust muru lõikama.	Kui muru on liiga tihe ja kõrge, tõstke lõikekorpus. Kui muru on kõrgem kui 15 cm, kasutage soovitud tulemuse saavutamiseks kahte niitmistsükli. Püüdes vältida kõrge ja tiheda rohu lõikamist.
	Muru on liiga märg.	Kontrollige enne niitmist muru olukorda. Kui muru on liiga märg, oodake, kuni tuul või päike selle kuivatab; oodake enne lõikamist kaste kadumist.
	Liikumiskiirus on liiga suur.	Vähendage liikumiskiirust.
	Terade kiirus on liiga väike.	Suurendage terade kiirust.
Lühike niitmisaeg.	Kõrge ja tiheda muru niitmisega võib kaasneva lühike niitmisaeg.	Lõikekorpuse tõstmine või tera kiiruse vähendamine võib pikendada niiduki ühe laadimiskorra järgset kasutusaeaga.
Niiduki kontrollimatu liikumine.	Erinev rehvirõhk.	Kontrollige niiduki rehvirõhku juhiseid järgides korrapäraselt.

PROBLEEM	VÕIMALIK PÕHJUS	LAHENDUS
Seade ei käivitu pärast pesu.	Väär puhastamine, mille tagajärjel nt on vesi sattunud LED-ekraani, akupessa ja muudesse elektroonilistesse komponentidesse.	<ol style="list-style-type: none"> Järgige seadme puhastamist käsitlevaid juhiseid. Kui sõiduk veega kogemata üle ujutatakse, pange see enne kasutust 12 tunniks kuiva kohta kuivama või kuivatage õhujoo abil. Võtke ühendust ettevõtte Cramer müügijärgse hoolduse osakonnaga.
Niiduk on blokeeritud.	Umbrohi ja praht on lõikekorpusel kuhjunud.	Puhastage seade juhiseid järgides pärast iga kasutuskorda.
Seade libiseb parkimisel kiiresti nõlvadel ja külgebiseb.	Rehvid on väga kulunud.	Võtke rehvide asendamiseks ühendust müügijärgse hoolduse personaliga.
	Elektromagnetiline pidur on kahjustatud või väga kulunud.	Võtke elektromagnetilise piduri asendamiseks ühendust müügijärgse hoolduse personaliga.
	Elektromagnetiline pidur on käitsi vabastatud.	Kontrollige elektromagnetilist pidurit ja viige see tagasi algasendisse.

10 TEHNILISED ANDMED

Mudeli nr	82ZT107
Pinge	82 V
Sõiduki kogukõrgus	106±3 cm
Pikkus	170 cm
Kõrgus	117 cm
Laius (väljalaskesuunajaga)	135 cm
Laius (väljalaskesuunajata)	107 cm
Lõikelaius	107 cm
Kiirus edaspidi liikumisel	0-7.5 miili tunnis
Kiirus tagurpidi liikumisel	0-3 miili tunnis
Lõikekõrguse vahemik	3.81-11.4 cm
Lõikekõrguse reguleerimise tase	7 tk
Tühikäigu kiirus	2400/3000/3200 pööret minutis
Laadimisaeg	4 h (8 A laaduriga)
Mootori võimsus	1.2 kW (tera mootor)
	1.2 (Sõiduajami mootor)
Nõlva maksimaalne kalle	15°
Terade arv (väljalase/multšimine)	2 tk
Mõõdetud helirõhu tase	$L_{pA} = 85.63 \text{ dB(A)}$, $K_{pA} = 3 \text{ dB(A)}$
Mõõdetud helivõimsuse tase	$L_{WA} = 98.61 \text{ dB(A)}$
Garanteeritud helivõimsuse tase	$L_{WA,d} = 100 \text{ dB(A)}$
Vibratsioonitase	Käed: $\leq 2.5 \text{ m/s}^2$, $K = 1.5 \text{ m/s}^2$
	Keha: $\leq 2.5 \text{ m/s}^2$ K 1.5 m/s^2

11 PIIRATUD GARANTII

11.1 GARANTII KATVUS

Cramer annab alljärgneva garantii ainult algsele ostjale („omanik“) – garantii pole edasi antav.

A. Kodune kasutus: Cramer tavapäraseks koduseks kasutamiseks* mõeldud toote garantii on viis (5) aastat või 1500 töötundi (ükskõik, kumb enne täis saab) ostukuupäevast kõikidele kere, lõikekorpuse ja akude materjalidele ja valmistusele. Kuluosadele (nagu rehvid ja terad) kehtib garantii pikkusega kolmkümmend (30) päeva ostukuupäevast. Kui omanik avastab selle garantiiperioodi jooksul materjali- või valmistusvea, peab ta toimima järgmisel viisil.

- Omanik peab ettevõtet Cramer või volitatud edasimüüjat veast viivitamatult teavitama, tehes seda tavapärase või elektronkirjaga, telefoni teel, rakenduse kaudu või isiklikult. See teavitus ei tohi mingil juhul jõuda ettevõteteni Cramervõi volitatud edasimüüjani hiljem kui viie (5) aasta jooksul ostukuupäevast.
- Mõistliku aja jooksul pärast sellise teavituse saamist ja garantiiga kaetud vea olemasolu kinnitamist parandab ettevõtte Cramer kõik sellised ettevõtte Cramer tootel leiduvad materjali- või valmistusvead, parandades või asendades osa(d) omal äranägemisel uute või kasutatud varuosadega.
- Sellist parandustööd koos sinna juurde kuuluvate osade ja tööga pakub ettevõtte Cramer oma kulul ainult seadme algupärasele omanikule.

B. Äriline kasutus: Cramer äriliseks ja asutuste poolt kasutamiseks mõeldud toote garantii on viis (5) aastat või 1500 töötundi (ükskõik, kumb enne täis saab) ostukuupäevast kõikidele kere, lõikekorpuse ja akude materjalidele ja valmistusele. Kuluosadele (mille hulka kuuluvad muu seas ka rehvid ja terad) kehtib garantii pikkusega kolmkümmend (30) päeva ostukuupäevast. Kui omanik avastab selle garantiiperioodi jooksul materjali- või valmistusvea, peab ta toimima järgmisel viisil.

- Omanik peab ettevõtet Cramer või volitatud edasimüüjat veast viivitamatult teavitama, tehes seda tavakirjaga, elektronkirjaga, telefoni teel, rakenduse kaudu või isiklikult. See teavitus ei tohi mingil juhul jõuda ettevõteteni Cramervõi volitatud edasimüüjani hiljem kui viie (5) aasta jooksul ostukuupäevast.
- Mõistliku aja jooksul pärast sellise teavituse saamist ja garantiiga kaetud vea olemasolu kinnitamist parandab ettevõtte Cramer kõik sellised ettevõtte Cramer tootel leiduvad materjali- või valmistusvead, parandades või asendades osa(d) omal äranägemisel uute või kasutatud varuosadega.
- Sellist parandustööd koos sinna juurde kuuluvate osade ja tööga pakub ettevõtte Cramer oma kulul ainult seadme algupärasele omanikule (äriline).

i MÄRKUS

Kui akusid nõuetekohaselt ei hooldata ja neid täislaetuna ei hoita, lühendab see akude eluiga ja muudab akude garantii tehtetuks. Selle piiratud garantii sätteid ei kehti, kui vea põhjuseks on alljärgnev.

- Väärkasutus või hooldamata jätmise tagajärg, nagu veekahjustus, lahtised juhtmed või roostetanud riistvara.
- Nõuetekohase hoolduse puudumine; aku vääramisest tingitud kahjustus; hooletusse jätmise, purunemine, kokkupuude äärmuslike temperatuuritingimustega, mille hulka kuuluvad muu hulgas külmumistemperatuurid, kuumad temperatuurid, kütteallikate (sh soojendite ja tule) lähedus, kokkupuude vee või muude ainetega, lõhkumine, ülelaetud või alalaetud akuga töötamine.
- Aku, mida on laetud muude süsteemidega kui algupärasest tüüpi akulaaduriga.

Märkus: **„tavapärase kodune kasutamine“ tähendab siin toote kasutamist teie kodu territooriumil. Toote kasutamist rohkem kui ühes asukohas loetakse äriliseks kasutuseks ja sellele kehtib ärilise kasutuse garantii.*

11.2 GARANTIITEENUSTE TEOSTAJA

Kõiki garantiiteenuseid peab osutama ettevõtte Cramer volitatud edasimüüja või ettevõtte Cramer volitatud hooldustehnik. Teenuskõned ja/või toote garantiitööde tegemiseks volitatud edasimüüja juurde ja sealt tagasi transportimise kulud katab toote omanik. Garantiiteenuste saamiseks võtke ühendust volitatud edasimüüjaga.

11.3 GARANTII ALLA MITTEKUULUV

Cramer Garantii alla ei kuulu alljärgnev:

- parandustööd, mida on teinud volitamata isikud;
- kahjustused, mille on põhjustanud ettevõtte Cramer toote kasutamine mitteshipärasel otstarbel;

- kahjustused, mille on põhjustanud loodusõnnetused, nagu tulekahju, üleujutus, tuul ja pikne;
- kahjustused, mille on põhjustanud hooldamata jätmine, väärkasutus, ebatavaline kasutus, sobimatu või mittemõistlik kasutus, õnnetus, hooletusse jätmine või kuritarvitus, näiteks veekahju;
- parandus- ja asendustööd, mille põhjuseks on volitamata varuosade, lisatarvikute ja lisaseadmete kasutamine;
- parandus- ja asendustööd, mille põhjuseks on ükskõik milline muudatus või modifikatsioon, mis ettevõtte Cramerhinnangul halvendab seadme toimivust, jõudlust või kestlikkust;
- tooted, komponendid ja osad, mille tootjaks pole ettevõtte Cramer;
- tooted, mille tuvastusandmeid on muudetud, muu hulgas mille seerianumbrid on eemaldatud ja/või loetamatuks muudetud;
- amortisatsioon või kulumine, mille põhjuseks on tavapärane kulumine, mõistliku ja nõuetekohase hoolduse puudumine, toote omaniku kasutusjuhendis toodud või muude ettevõtte Cramerisitatud kasutus-, hooldus- ja reguleerimisjuhiste eiramine;
- tavapärase hooldusosad ja teenused, mille hulka kuuluvad teiste seas määrded, seadistusvahendid, terad, terade teritusvahendid, laagrid, pidurite või juhtimise reguleerimine;
- tooted, mida on programmeeritud viisil, mis pole nende jaoks heaks kiidetud, sealhulgas parameetreite muudatused, järelturu programmeerimised või kohandused ja kõik osade, elektroonika ja tarkvara heakskiitmata muudatused.

11.4 LAHTIÜTLUS GARANTIIST

Ülaltoodud garantiid asendavad kõiki muid otseseid ja kaudseid garantiisid, muu hulgas kaudseid garantiisid turustatavuse ja konkreetseks otstarbeks sobivuse kohta. Kui aga ettevõtte Cramer toode on ostetud tarbekaubana, on kõik kaudsed garantiid turustatavuse ja konkreetseks otstarbeks sobivuse kohta piiratud selle piiratud garantii kehtivusajaga. Mõned riigid ei võimalda kaudse garantii kehtivusajale piiranguid seada, seega ei pruugi ülaltoodud piirang teile kehtida. See garantii annab teile konkreedsed seaduslikud õigused ja teil võib olla ka muid õigusi, mis riigiti erinevad.

11.5 GARANTIIHÜVITISTE PIIRANG

Ettevõtte Cramer ei vastuta mingil juhul ühegi eri-, juhusliku ega kaasuva kahju eest, mille põhjuseks on garantiitingimuste rikkumine, lepingu rikkumine, hooletuss jätmine, lepinguväline mittesüüline vastutus või ükskõik milline muu õigusteooria. Selliste kahjude hulka kuulub muu hulgas järgmine:

- kasumi kaotus;
- säästude või tulu kaotus;
- ettevõtte Cramer toote või ükskõik millise seotud seadme kasutusvõimaluse kaotus;
- kapitalikulu;
- ükskõik millise asendusvahendi, -tarbe, teenuse või rikkeaja kulu;
- kolmandate isikute (sh klientide) nõuded ja varakahju.

11.6 AJAPIIRANG

Kui riikliku seadusega pole sätestatud teisiti:

igasugune garantii rikkumisega seotud meede tuleb koduse ja/või ärilise kasutuse korral võtta viie (5) aasta või kuuekümnepäevase (60) kuu jooksul ostukuupäevast.

Juhul, kui tootmise kuupäeva ja toote esmast ostmist kliendi poolt lahutab ebamõistlikult suur ajavahe, võivad ettevõtte Cramer garantiile kehtida täiendavad piirangud.

11.7 MUUDE GARANTIIDE PUUDUMINE

See kokkulepe loetakse poolte vahel olevaks täielikuks ja ainuõiguslikuks kokkuleppeks, mis asendab kõik eelnevad suulised ja kirjalikud kokkulepped ning muu selle lepingu sisuks olevaga seotud suhtluse.

11.8 OMANIKU VASTUTUS

Peate oma ettevõtte Cramer toodet hooldama, järgides kasutusjuhendis kirjeldatud hooldusprotseduure. Selline rutiinne hooldus, olenemata sellest, kas seda teeb edasimüüja või teie, on teie kulu.

See seade, nagu iga teinegi toiteallikaga seade, on potentsiaalselt ohtlik, kui seda õigesti ei kasutata. Iga operaator peab olema ettevaatlik ja alati ohutust silmas pidades. Iga operaator peaks enne ettevõtte Cramer toote kasutamist

tutvuma põhjalikult seadme kasutamist ja ohutust käsitleva kasutusjuhendiga, samuti kõikide seadmel endal olevate ohutusohiastutega.

11.9 RISKIDE JAOTUS

See leping jaotab toote rikkeriskid ettevõtte Cramer ja omaniku vahel. Seda jaotust tunnustavad mõlemad pooled ja see kajastub kauba hinnas.

11.10 GARANTII REGISTREERIMINE

Kui riikliku seadusega pole sätestatud teisiti, tuleb järgida alltoodud.

1. Omanikud peavad registreerima seadme ettevõttes Cramer kümne (10) päeva jooksul pärast ostukuupäeva.
2. Registreerimise saab lõpetada, täites garantii registreerimisvormi, mis on toodud kasutusjuhendis.
3. Registreerimiseks saab kasutada ka veebipõhiseid vorme aadressil cramertools.com või rakendust ja esitades ostutõendi (kviitung koos ostukuupäevaga).

12 EÜ VASTAVUSDEKLARATSIOON

Tootja nimi ja aadress:

Nimi: Greenworks Tools
Aadress: Brunnenweg 17, 64331 Weiterstadt, Saksamaa

Tehnilise toimiku koostamise volitustega isiku nimi ja aadress:

Nimi: Ralf Pankalla
Aadress: Brunnenweg 17, 64331 Weiterstadt, Saksamaa

Käesolevaga kinnitame, et toode

Liik: Pöörderaadiuseta niiduk
Mudel: 82ZT107
Seerianumber: Vt. toote andmesilti
Tootmise aasta: Vt. toote andmesilti

- vastab asjakohase masinadirektiivi 2006/42/EÜ nõuetele.
- vastab teiste järgnevate EÜ direktiivide nõuetele:
 - 2014/30/EL
 - 2011/65/EL ja (EL)2015/863

Lisaks kinnitame, et on kasutatud järgnevaid Euroopa ühtlustatud standardeid (või nende osi/punkte):

- EN 62841-1, EN ISO 5395-1, EN ISO 5395-3, EN ISO 14982, IEC 62321-3-1, IEC 62321-4, IEC 62321-5, IEC 62321-6, IEC 62321-7-1, IEC 62321-7-2, IEC 62321-8

Koht, kuupäev: 11.11.2022

Allkiri: Ted Qu, kvaliteedijuht

Ted Qu

cramertools.com



P0804699-00 Rev B